



US00D871560S

(12) **United States Design Patent**
Davey

(10) **Patent No.:** **US D871,560 S**

(45) **Date of Patent:** **** Dec. 31, 2019**

- (54) **DRYER COUPLER**
- (71) Applicant: **Jason Davey**, Mount Pleasant, SC (US)
- (72) Inventor: **Jason Davey**, Mount Pleasant, SC (US)
- (**) Term: **15 Years**
- (21) Appl. No.: **29/605,133**
- (22) Filed: **May 24, 2017**
- (51) **LOC (12) Cl.** **23-01**
- (52) **U.S. Cl.**
USPC **D23/262**
- (58) **Field of Classification Search**
USPC D23/259, 260, 262–267, 213, 223, 226,
D23/232–237; D32/25, 32; D8/382, 396;
D24/129; D29/129
CPC F16L 37/0841; F16L 37/35; F16L 37/34;
F16L 37/142; F16L 37/413; F16L 37/30;
F16L 37/44; F16L 37/36; F16L 45/00;
F16L 5/00; F16L 55/105; F16L 55/1007
See application file for complete search history.

(56) **References Cited**

U.S. PATENT DOCUMENTS

- 12,937 A * 5/1855 Hicks F16L 37/113
285/148.13
- 936,566 A * 10/1909 Rosendahl F16L 33/223
285/331
- 1,474,586 A * 11/1923 Hanrahan F16L 37/252
285/331
- 1,738,996 A * 12/1929 Hamilton F16L 37/252
285/93
- 2,160,354 A * 5/1939 Evans F16L 31/00
285/73
- 3,709,526 A * 1/1973 Cromie F16L 3/10
285/73
- 4,602,654 A * 7/1986 Stehling A62C 33/00
137/296

- 6,131,958 A * 10/2000 Craig D06F 39/08
285/136.1
- D475,165 S * 5/2003 Biere D32/31
- 6,942,255 B2 * 9/2005 Pickering F16L 37/252
285/136.1
- 7,603,792 B1 * 10/2009 McDonald F16L 15/02
34/140
- D804,619 S * 12/2017 Mursu D23/259
- D816,191 S * 4/2018 Cove D23/259
- D822,800 S * 7/2018 Naslund D23/262
- D823,444 S * 7/2018 Hayashi D23/262
- D834,685 S * 11/2018 Gerger D23/261
- D834,687 S * 11/2018 Khubani D23/262
- D834,688 S * 11/2018 Khubani D23/262
- D844,759 S * 4/2019 Kresge D23/260
- D851,223 S * 6/2019 Krombein D23/261

(Continued)

Primary Examiner — Michelle E. Wilson

(74) *Attorney, Agent, or Firm* — Gregory Finch; Finch Paolino, LLC

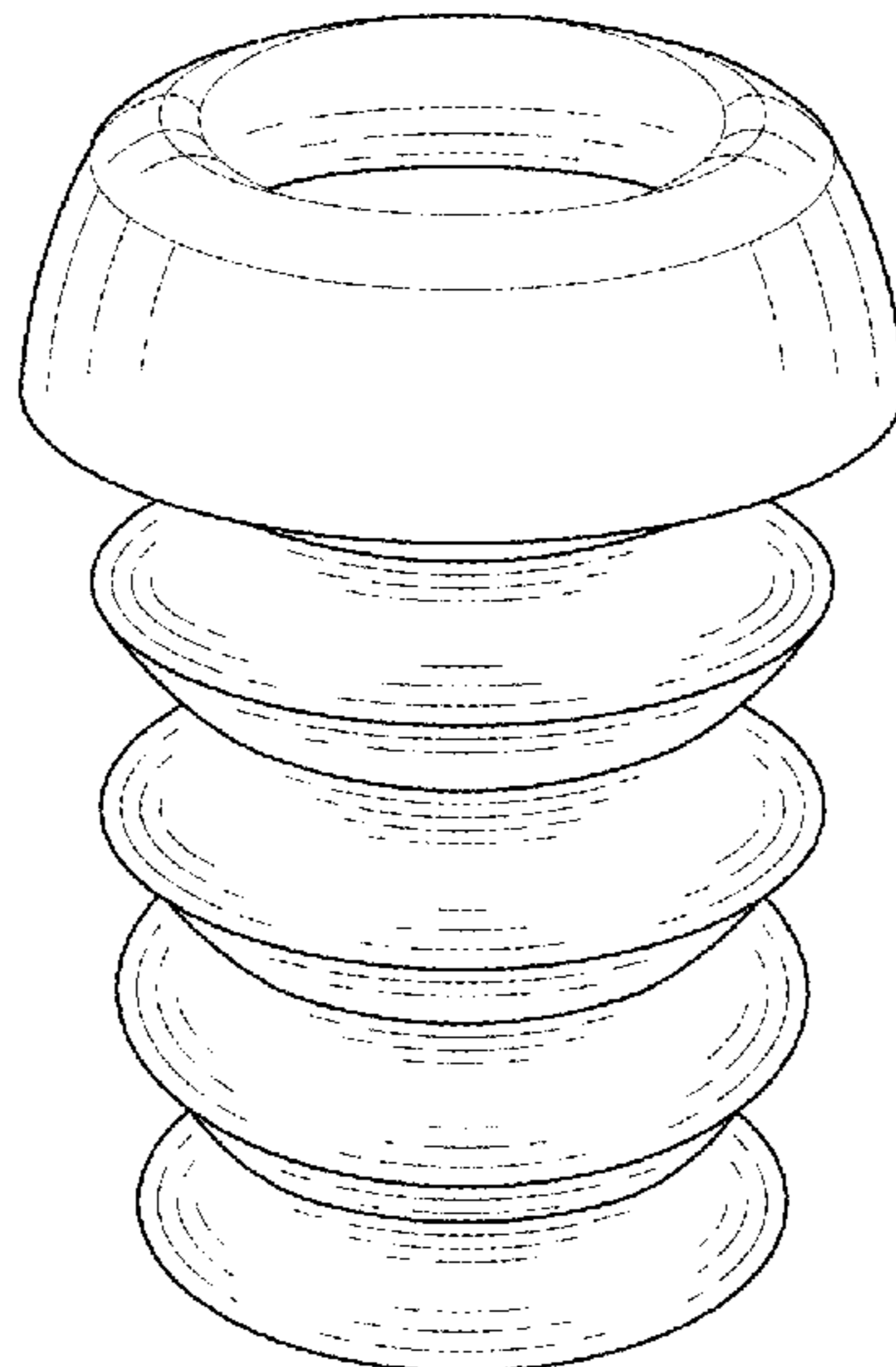
(57) **CLAIM**

The design for a dryer coupler, as shown and described.

DESCRIPTION

FIG. 1 is an isometric view of the claimed dryer coupler, embodying the present ornamental design, in an expanded position with a connector flange in a folded position; FIG. 2 is an isometric view thereof in an expanded position with the connector flange in a deployed position; FIG. 3 is an isometric view thereof in a contracted position with the connector flange in a folded position; FIG. 4 is a right side view thereof, with the claimed dryer coupler in a horizontal position; FIG. 5 is a left side view thereof, with the claimed dryer coupler in a horizontal position; FIG. 6 is a bottom up plan view thereof; and, FIG. 7 is a top down plan view thereof. The stippling in the drawings represents texture and form no part of the claimed design.

1 Claim, 4 Drawing Sheets



(56)

References Cited

U.S. PATENT DOCUMENTS

D851,269 S * 6/2019 McGregor D24/206
D855,781 S * 8/2019 Delancey D23/259

* cited by examiner

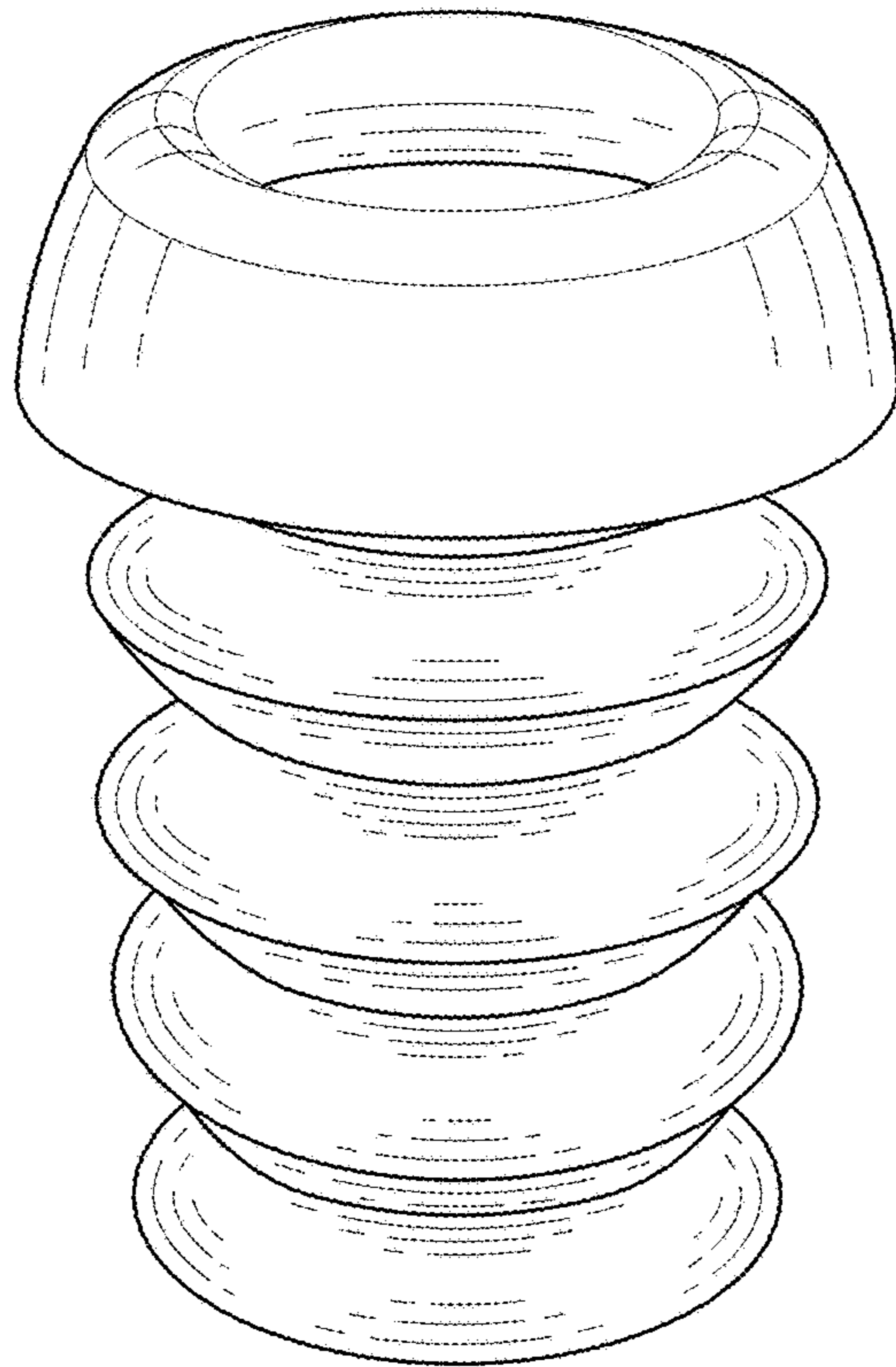


FIG. 1

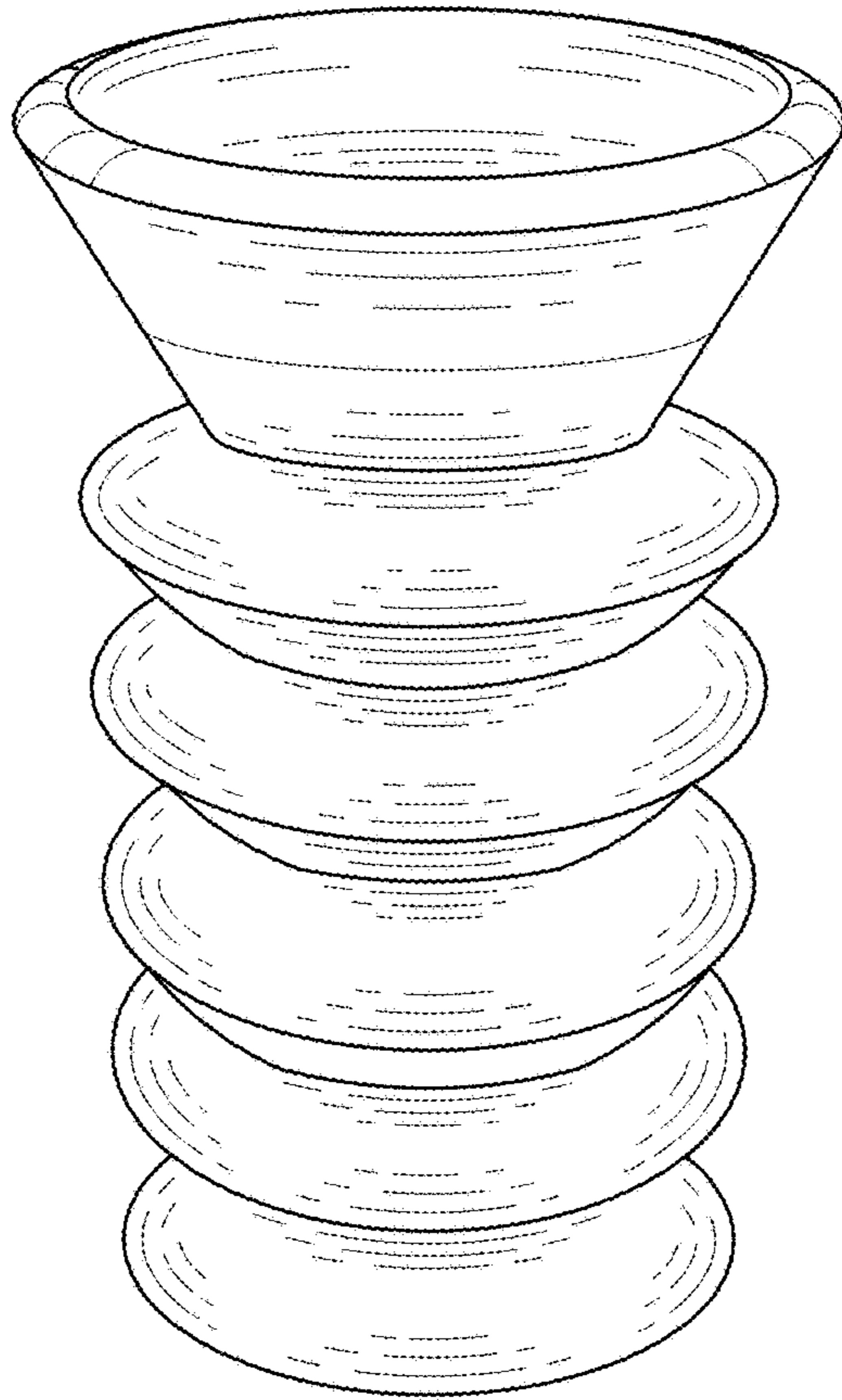


FIG. 2

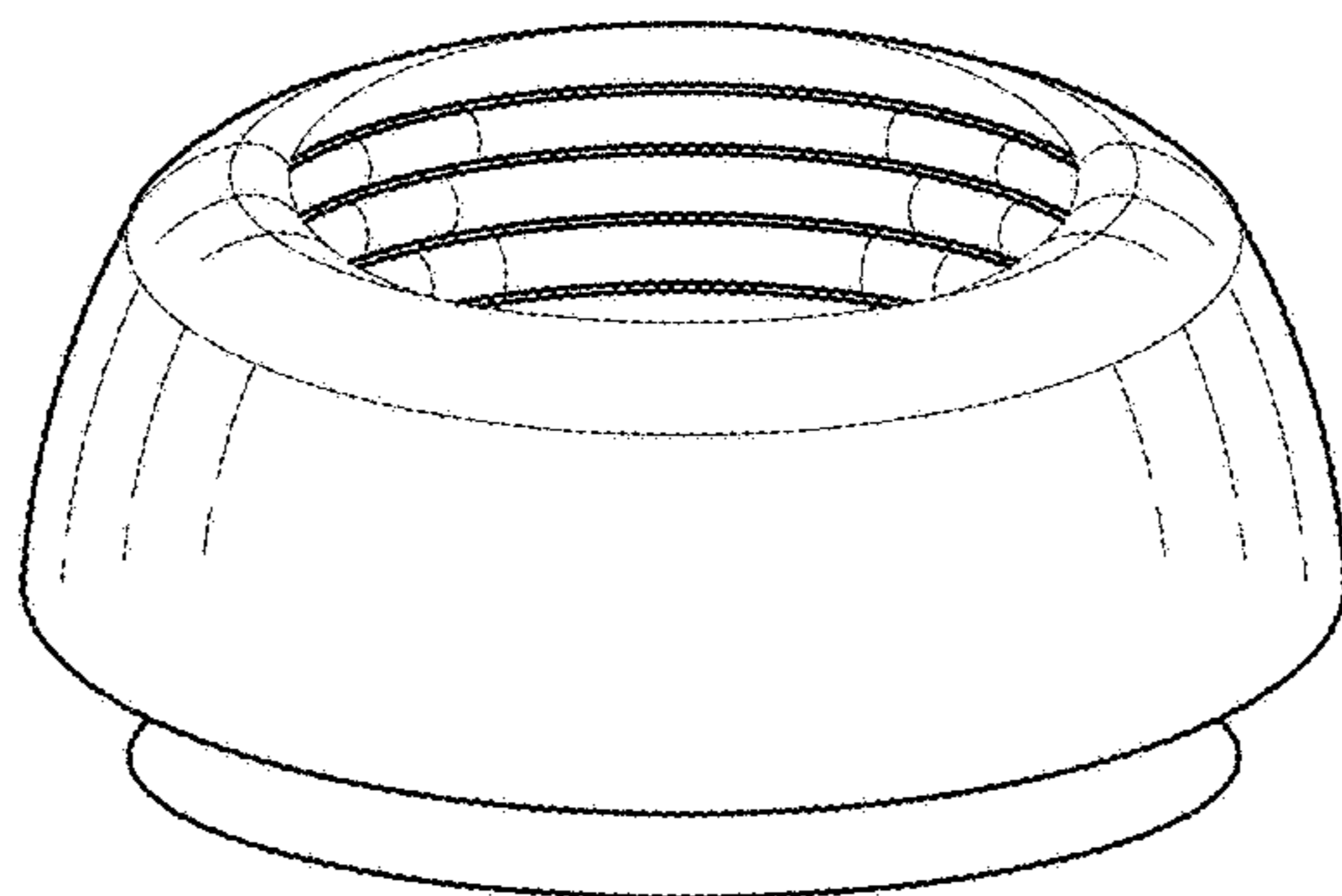


FIG. 3

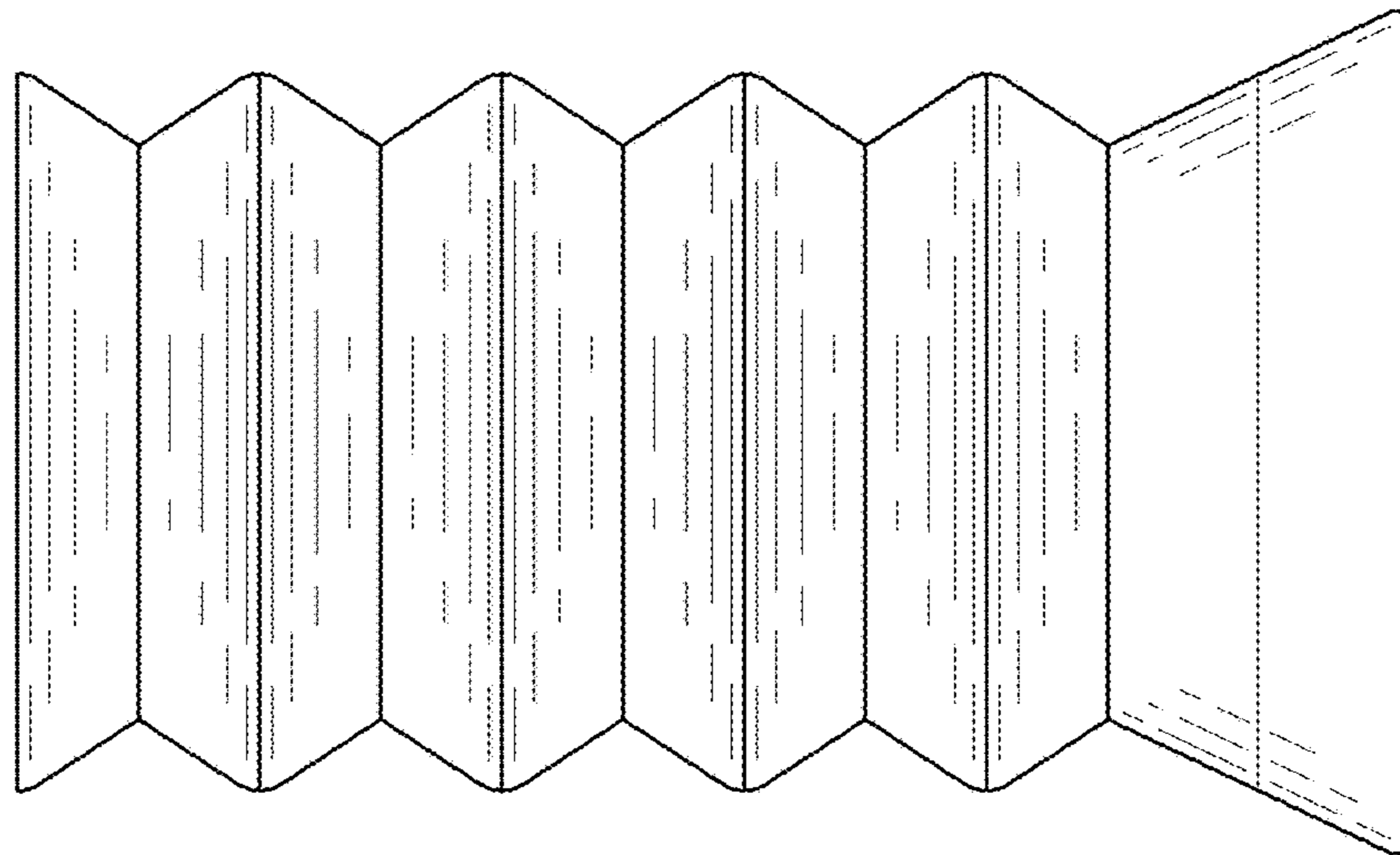


FIG. 4

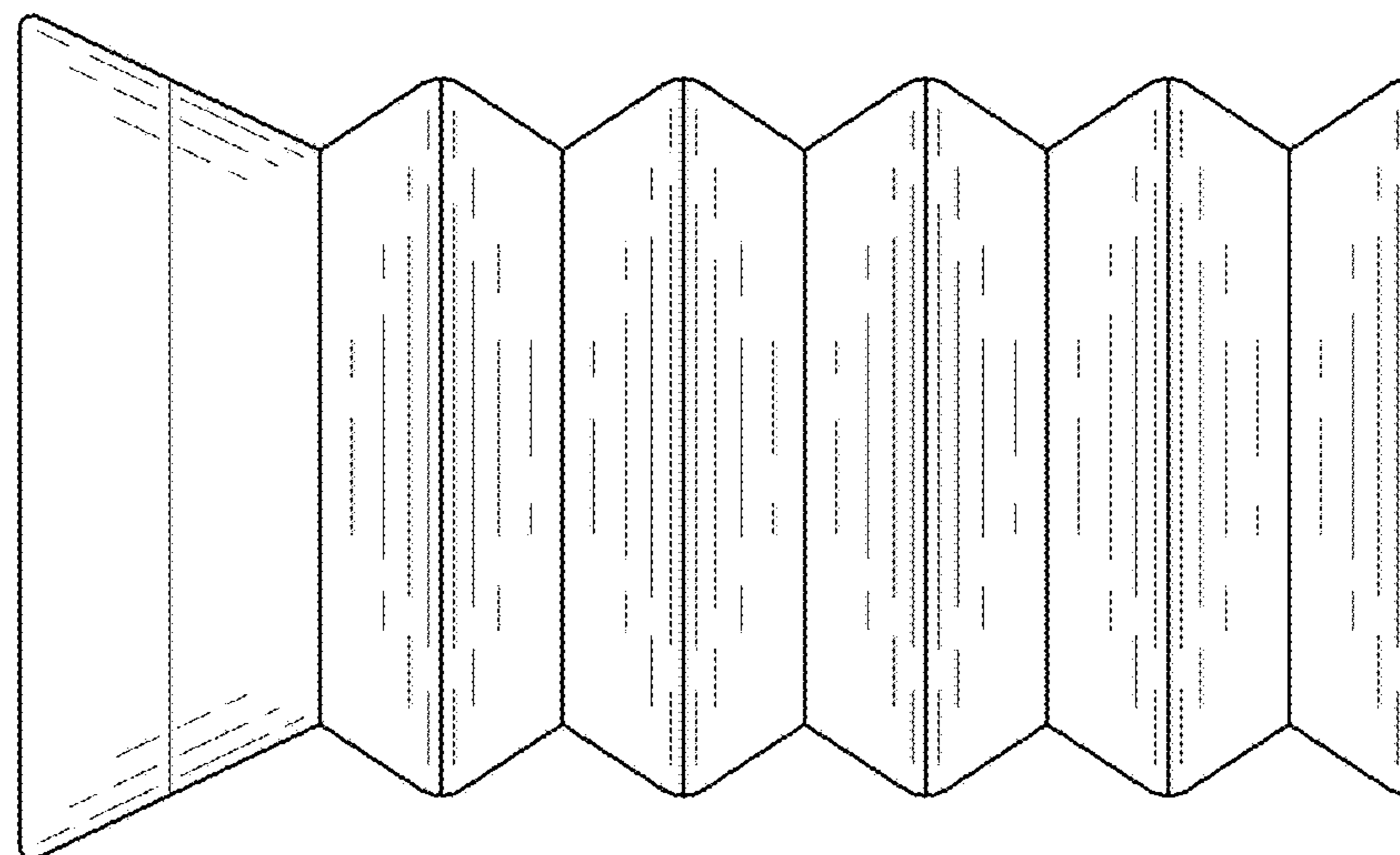


FIG. 5

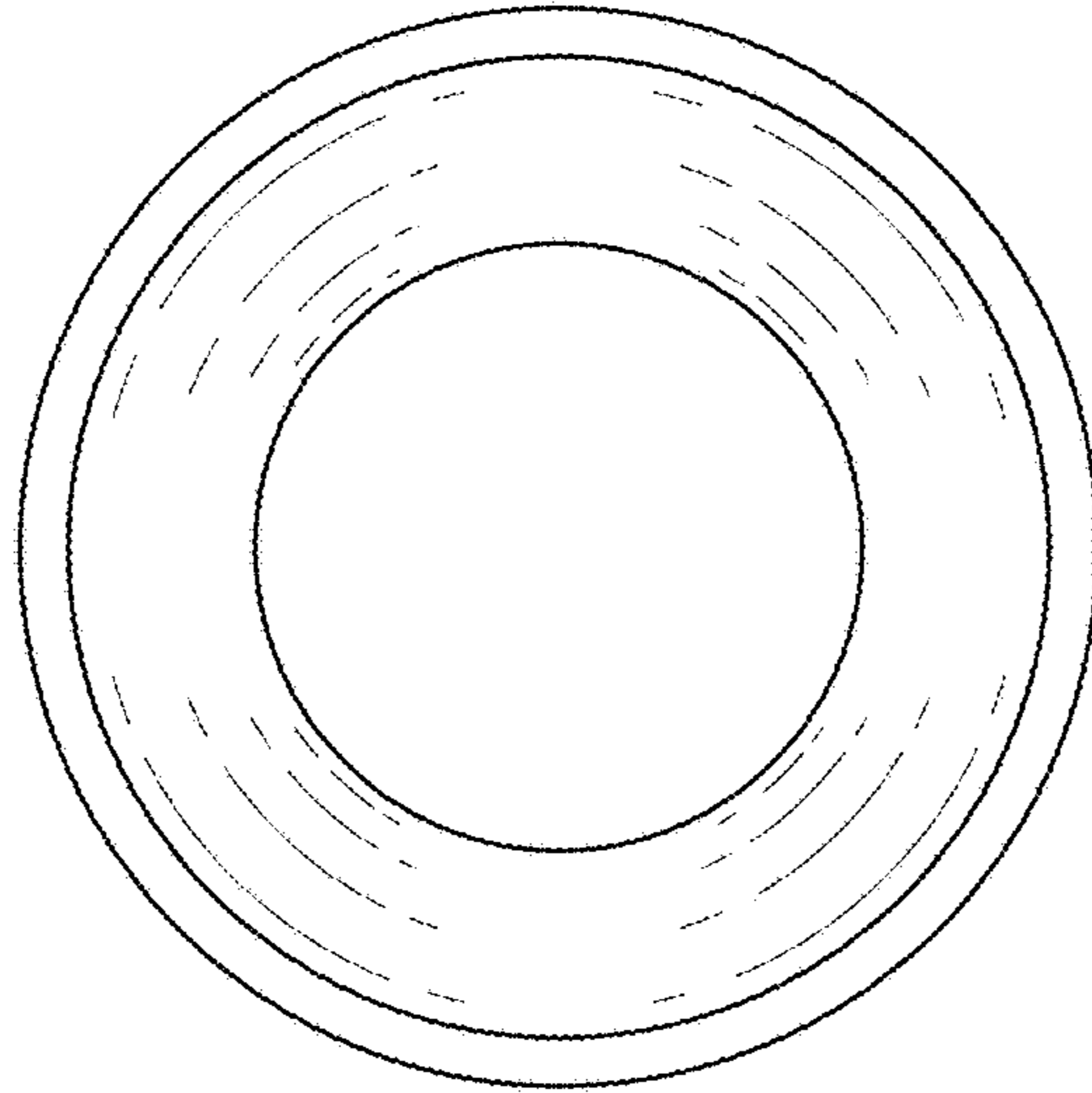


FIG. 6

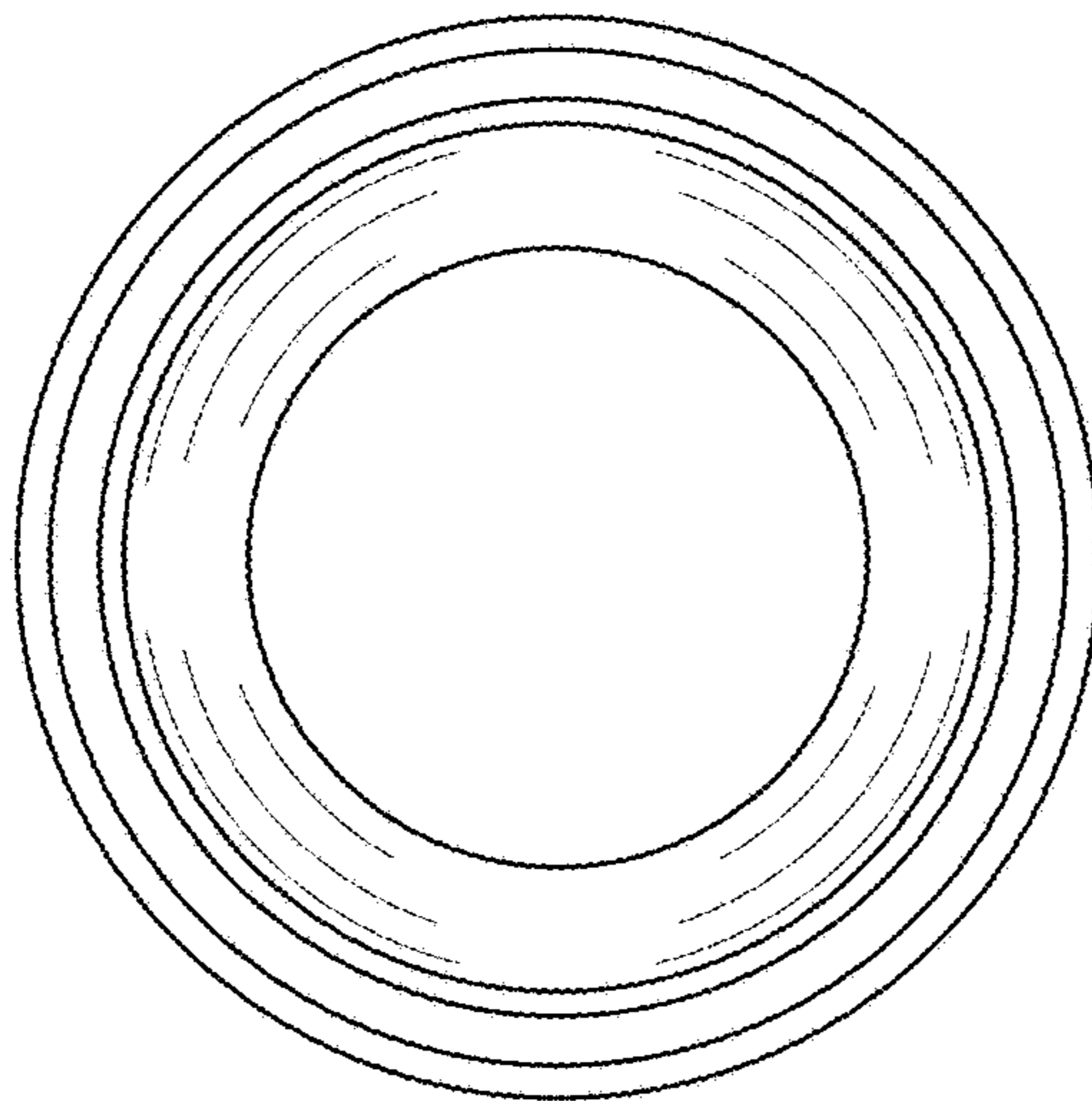


FIG. 7