



US00D871556S

(12) **United States Design Patent**  
**Eads**

(10) **Patent No.:** **US D871,556 S**

(45) **Date of Patent:** **\*\* Dec. 31, 2019**

(54) **FAUCET BODY**

D840,509 S \* 2/2019 Garland ..... D23/238

(71) Applicant: **DELTA FAUCET COMPANY,**  
Indianapolis, IN (US)

\* cited by examiner

(72) Inventor: **Thad Eads,** Urbana, IN (US)

*Primary Examiner* — Robert A Delehanty

(73) Assignee: **DELTA FAUCET COMPANY,**  
Indianapolis, IN (US)

(74) *Attorney, Agent, or Firm* — Edgar A. Zarins; Nirav D. Parikh

(\*\*) Term: **15 Years**

(57) **CLAIM**

The ornamental design for a faucet body, as shown and described.

(21) Appl. No.: **29/638,170**

**DESCRIPTION**

(22) Filed: **Feb. 25, 2018**

(51) **LOC (12) Cl.** ..... **23-01**

(52) **U.S. Cl.**  
USPC ..... **D23/257**

(58) **Field of Classification Search**  
USPC ..... D23/238, 241–243  
See application file for complete search history.

FIG. 1 is a front perspective view of a faucet body showing my new design;

FIG. 2 is a rear perspective view thereof;

FIG. 3 is a front elevational view thereof;

FIG. 4 is a left side view thereof;

FIG. 5 is a rear view thereof;

FIG. 6 is a right side view thereof;

FIG. 7 is a top plan view thereof; and,

FIG. 8 is a bottom view thereof.

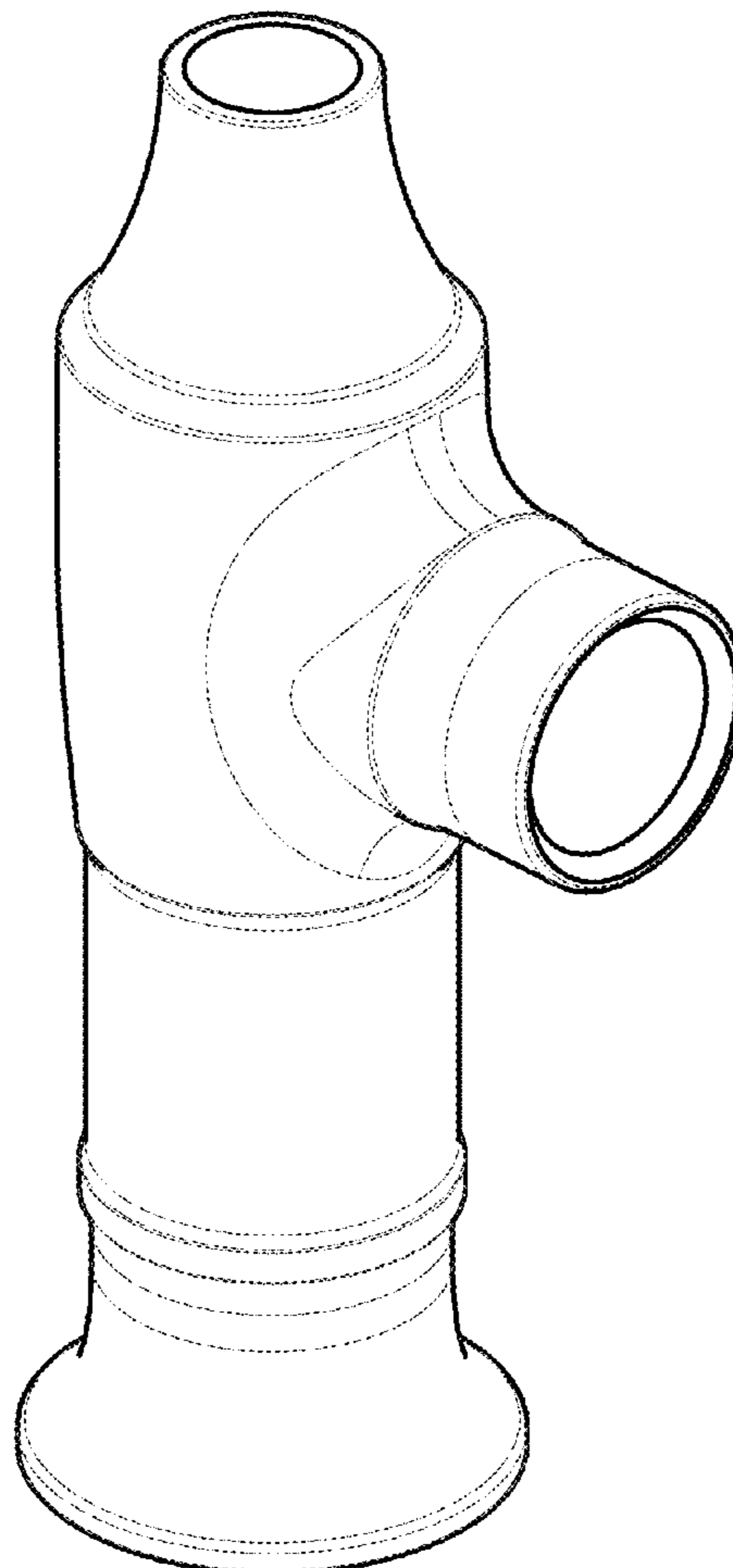
Portions of the article shown in phantom lines form no part of the claimed design.

(56) **References Cited**

**U.S. PATENT DOCUMENTS**

D835,237 S \* 12/2018 Ziemann ..... D23/238

**1 Claim, 4 Drawing Sheets**



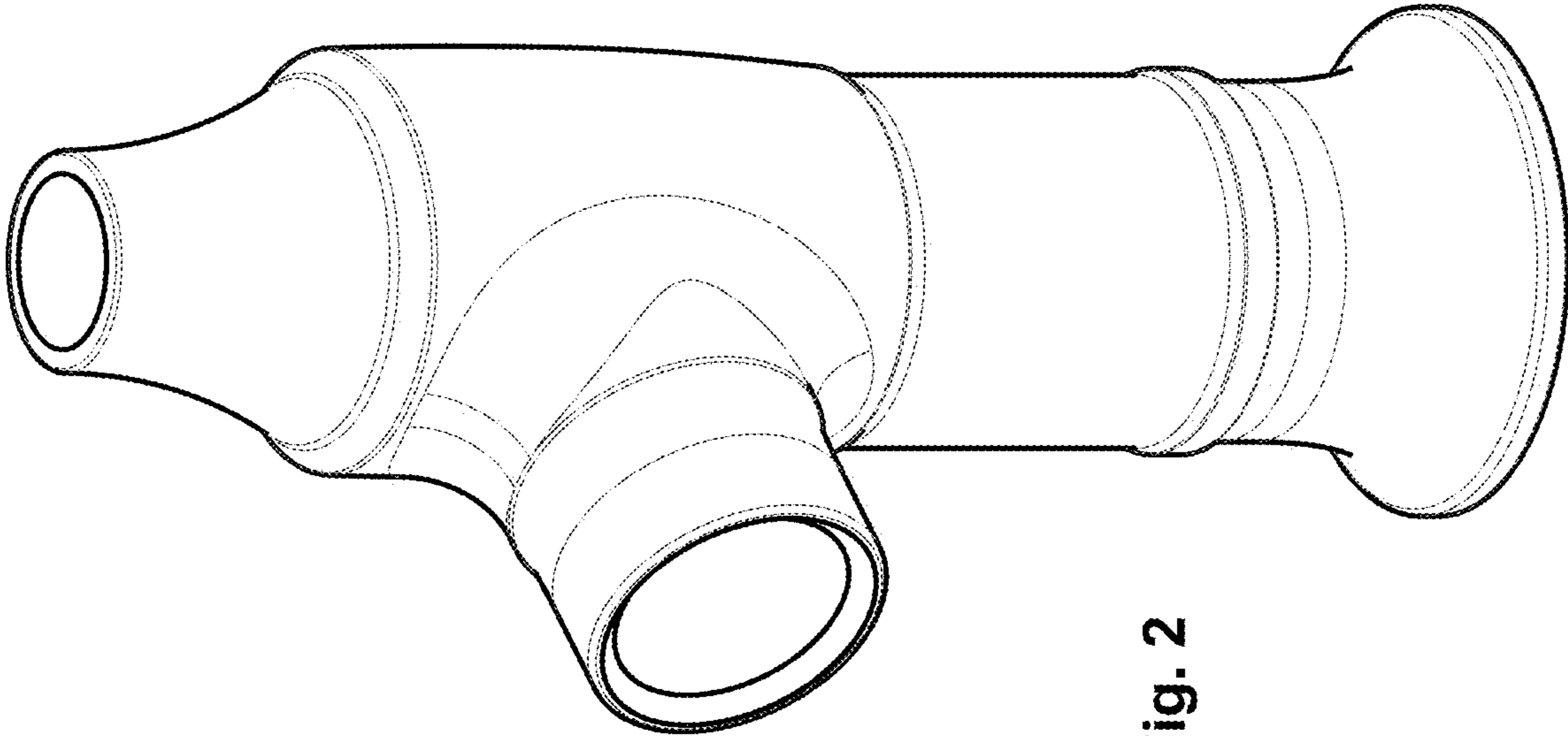


Fig. 2

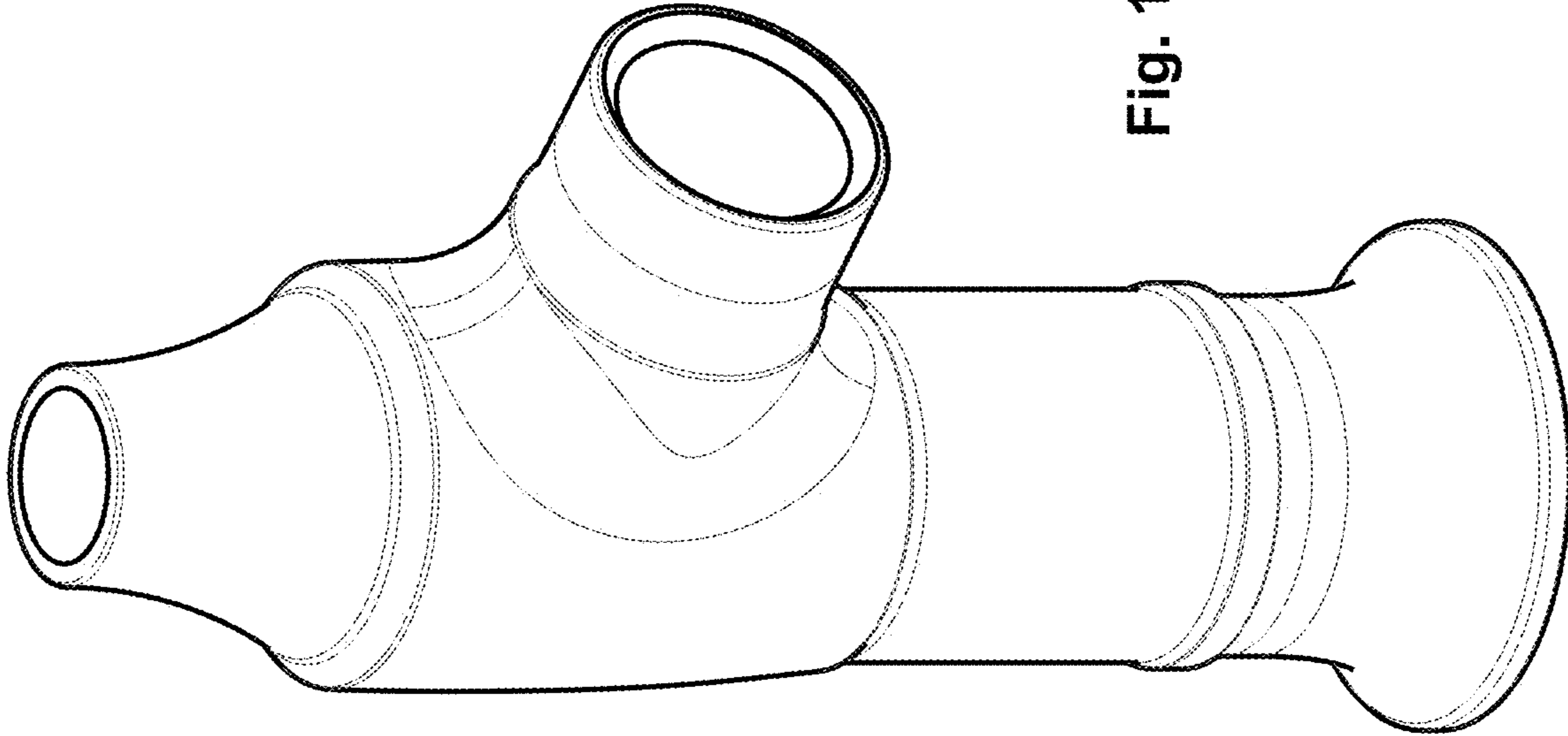


Fig. 1

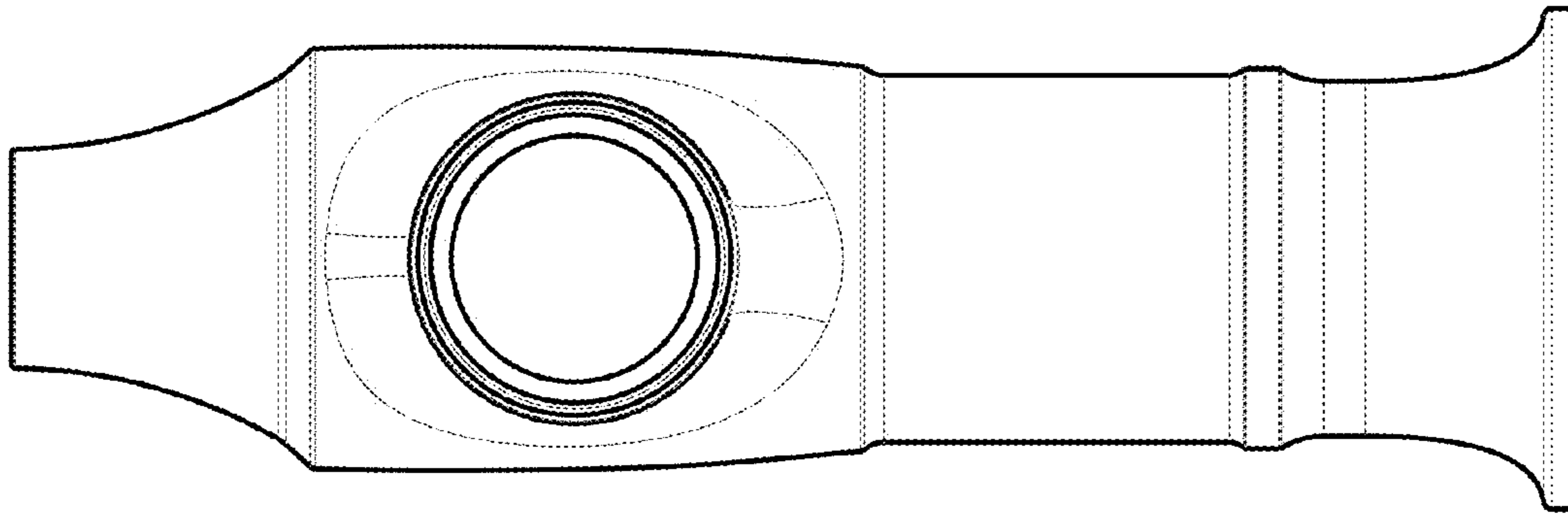


Fig. 4

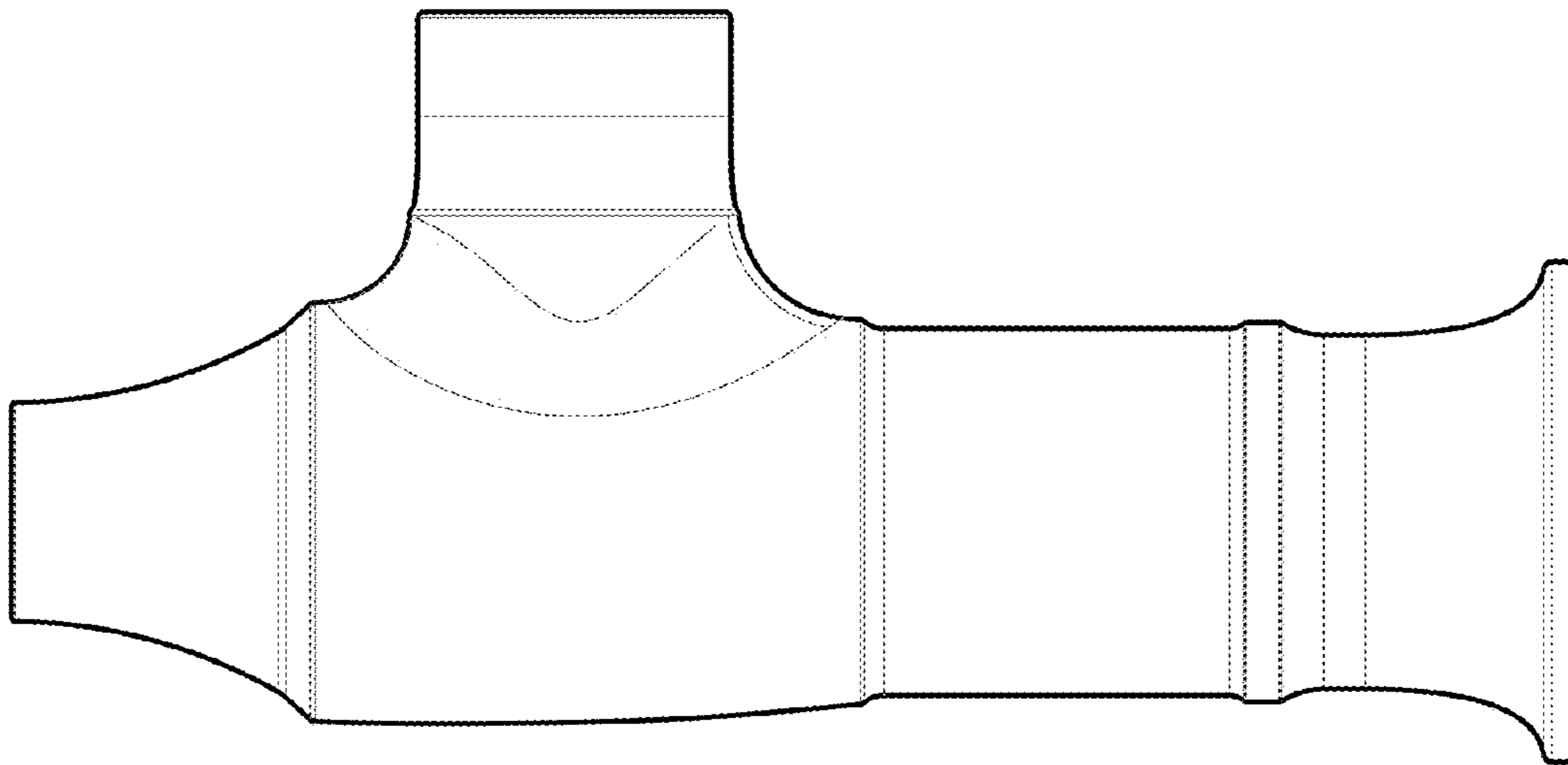


Fig. 3

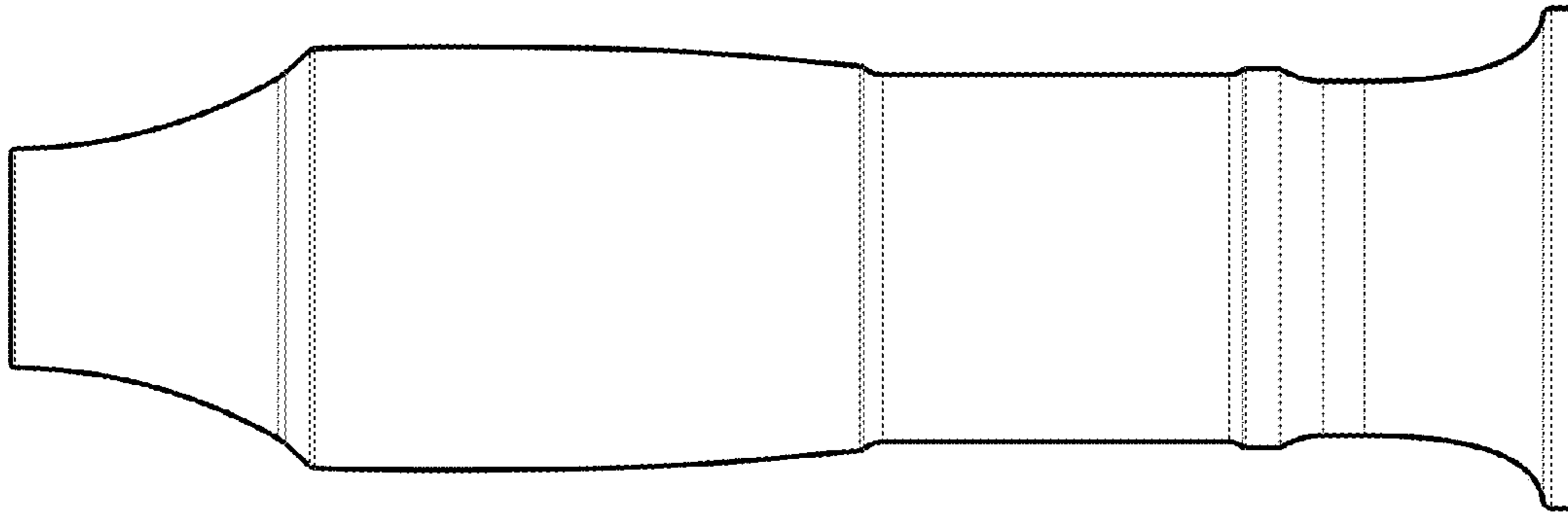


Fig. 6

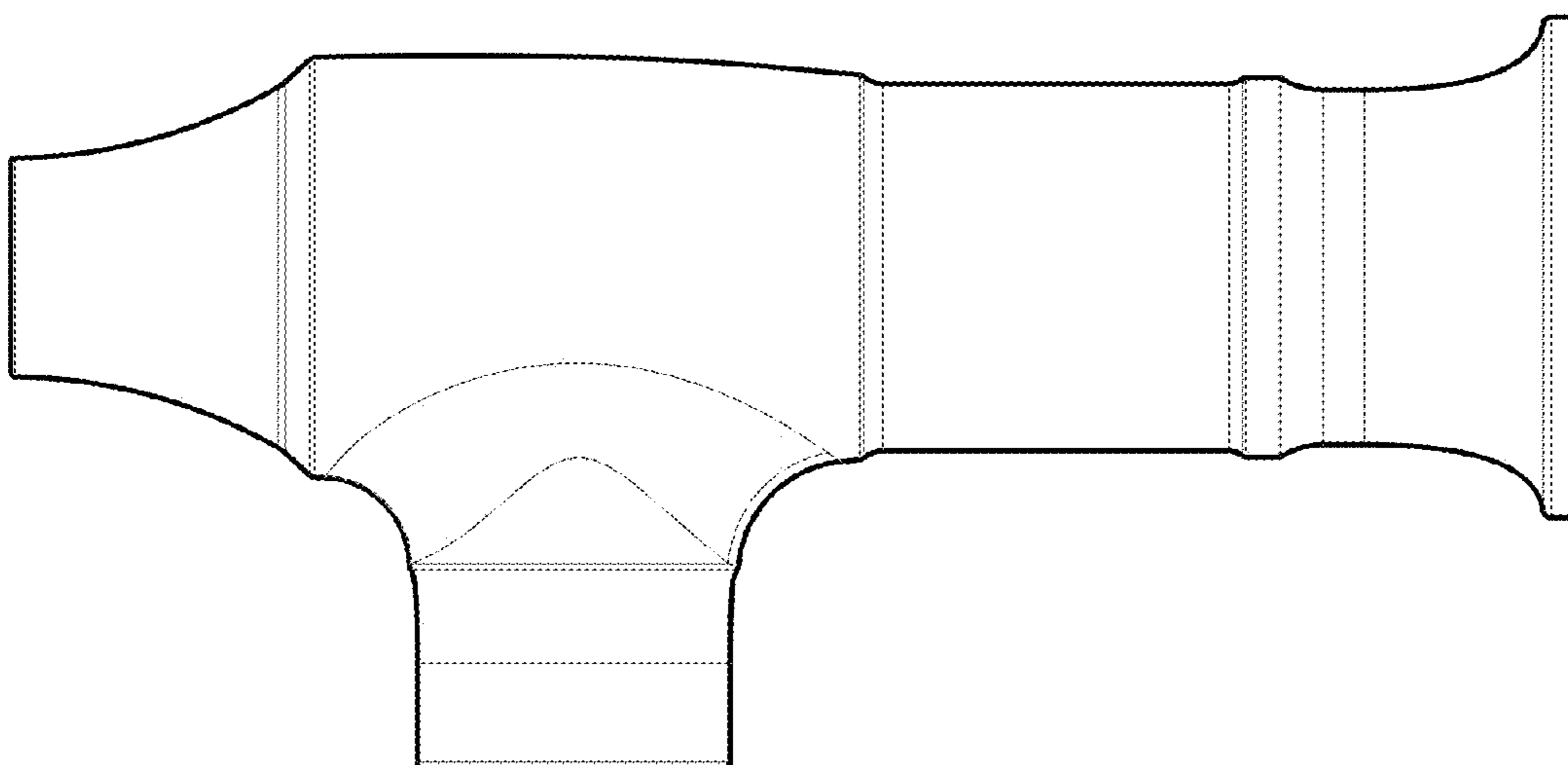


Fig. 5

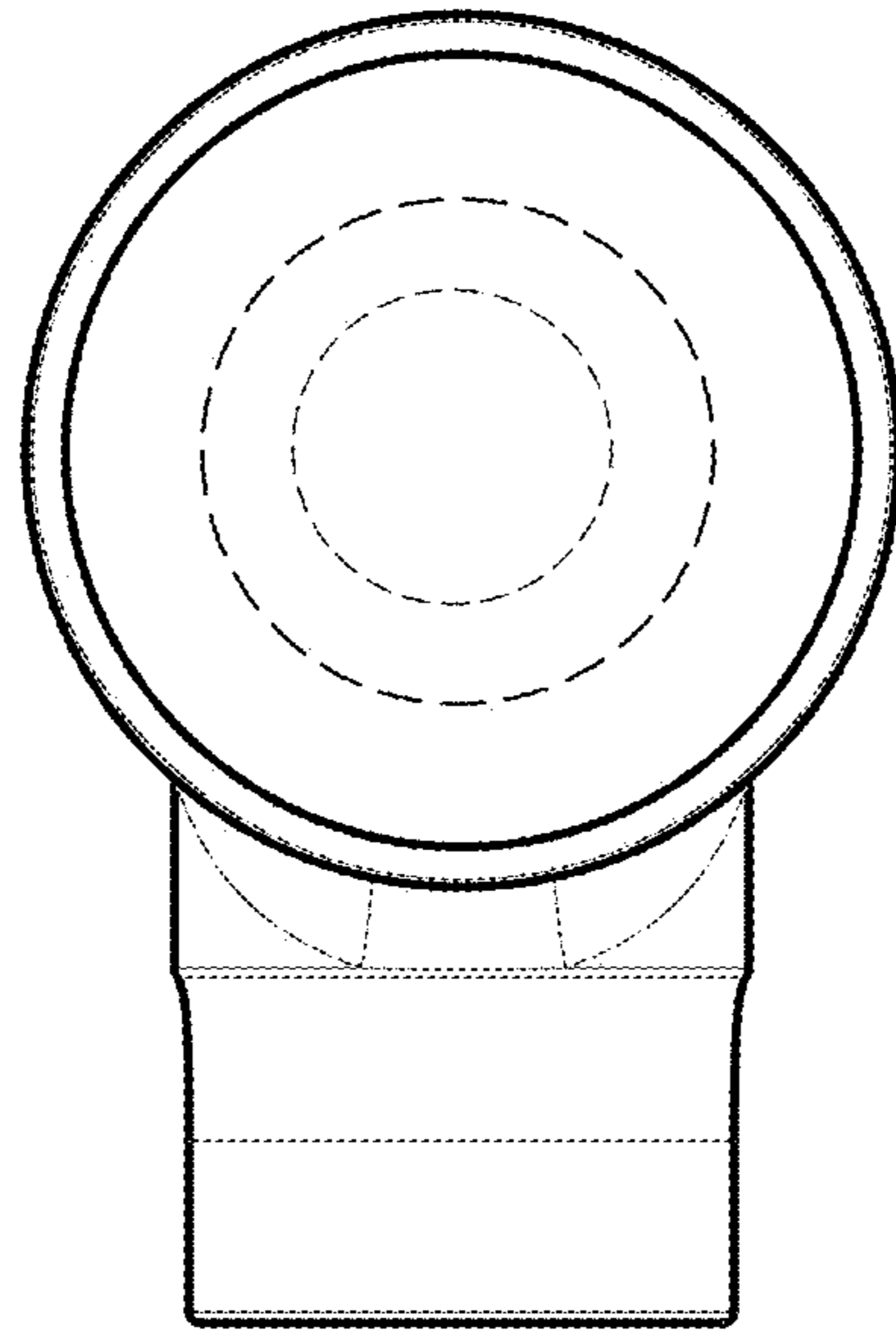


Fig. 8

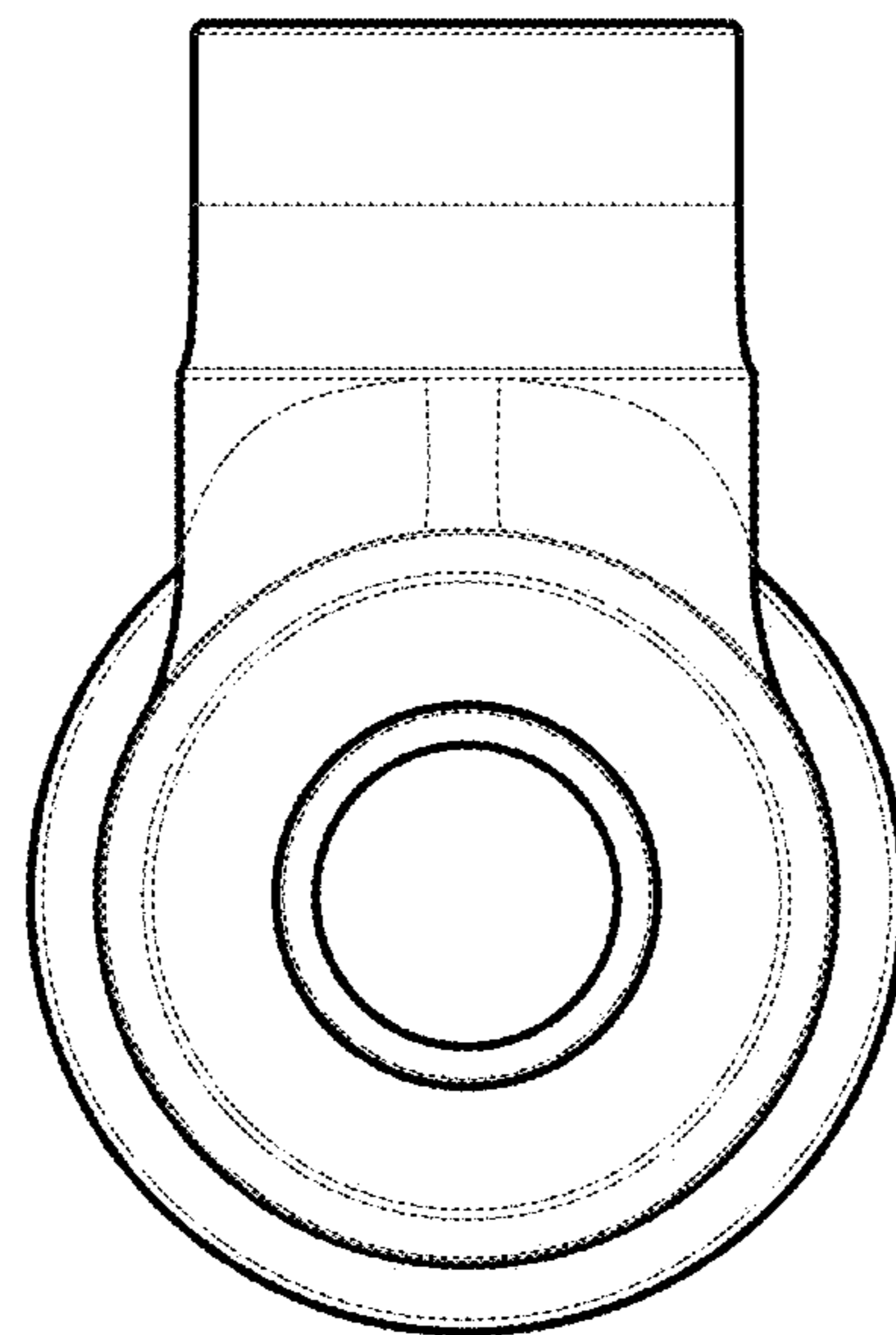


Fig. 7