



US00D871555S

(12) **United States Design Patent** (10) **Patent No.:** **US D871,555 S**
Park (45) **Date of Patent:** **** Dec. 31, 2019**

(54) **FAUCET SPOUT**

(71) Applicant: **DELTA FAUCET COMPANY,**
Indianapolis, IN (US)
(72) Inventor: **Maris Park,** McCordsville, IN (US)
(73) Assignee: **DELTA FAUCET COMPANY,**
Indianapolis, IN (US)

(**) Term: **15 Years**

(21) Appl. No.: **29/640,952**

(22) Filed: **Mar. 19, 2018**

(51) **LOC (12) Cl.** **23-01**

(52) **U.S. Cl.**
USPC **D23/255**

(58) **Field of Classification Search**
USPC D23/238-243, 249, 255-257, 309, 250,
D23/252
CPC ... Y10T 137/9464; E03C 1/04; E03C 1/0404;
E03C 1/0407
See application file for complete search history.

(56) **References Cited**

U.S. PATENT DOCUMENTS

D140,692 S *	3/1945	Judell	D23/255
D527,444 S *	8/2006	Gilbert	D23/255
D581,498 S *	11/2008	Dolan	D23/255
D816,187 S *	4/2018	Kuang	D23/238
D816,806 S *	5/2018	Potter	D23/255
D848,580 S *	5/2019	Garland	D23/255

OTHER PUBLICATIONS

Blog Naver, Glass Bath Faucet from Fantini, posted Dec. 16, 2008, [online], [visited May 21, 2019]. Internet, URL: http://blog.naver.com/PostView.nhn?blog_id=ill_won&logNo=90038949350&parentCategoryNo=&categoryNo=12&viewDate=&is>ShowPopularPosts=false&from=postList (Year: 2008).*

* cited by examiner

Primary Examiner — Sheryl Lane

Assistant Examiner — Samantha N Wood

(74) *Attorney, Agent, or Firm* — Edgar A. Zarins; Nirav D. Parikh

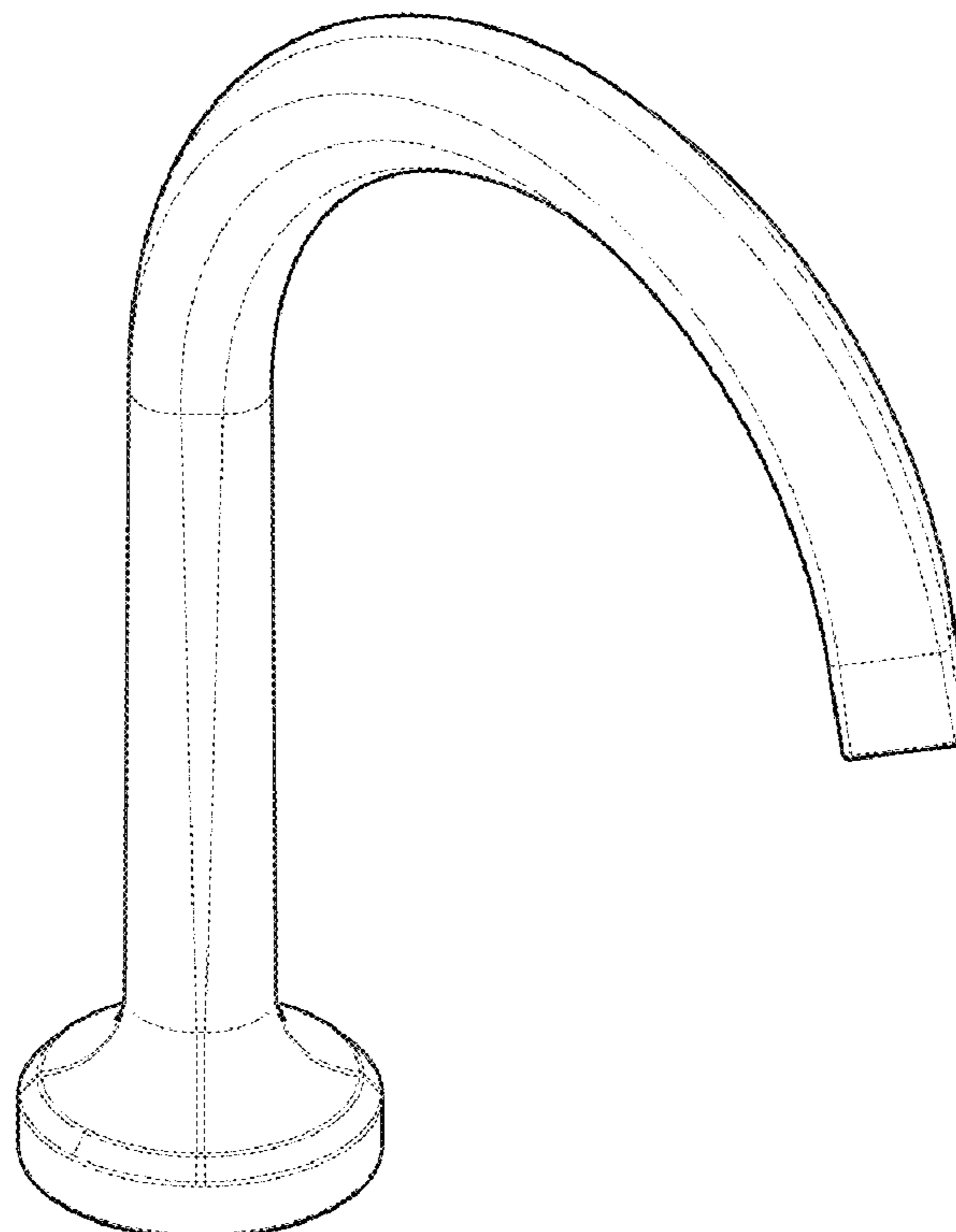
(57) **CLAIM**

The ornamental design for a faucet spout, as shown and described.

DESCRIPTION

FIG. 1 is a front perspective view of a faucet spout showing my new design;
FIG. 2 is a rear perspective view thereof;
FIG. 3 is a front elevational view thereof;
FIG. 4 is a left side view thereof;
FIG. 5 is a rear view thereof;
FIG. 6 is a right side view thereof;
FIG. 7 is a top plan view thereof; and,
FIG. 8 is a bottom view thereof.
Portions of the article shown in broken lines form no part of the claimed design.

1 Claim, 4 Drawing Sheets



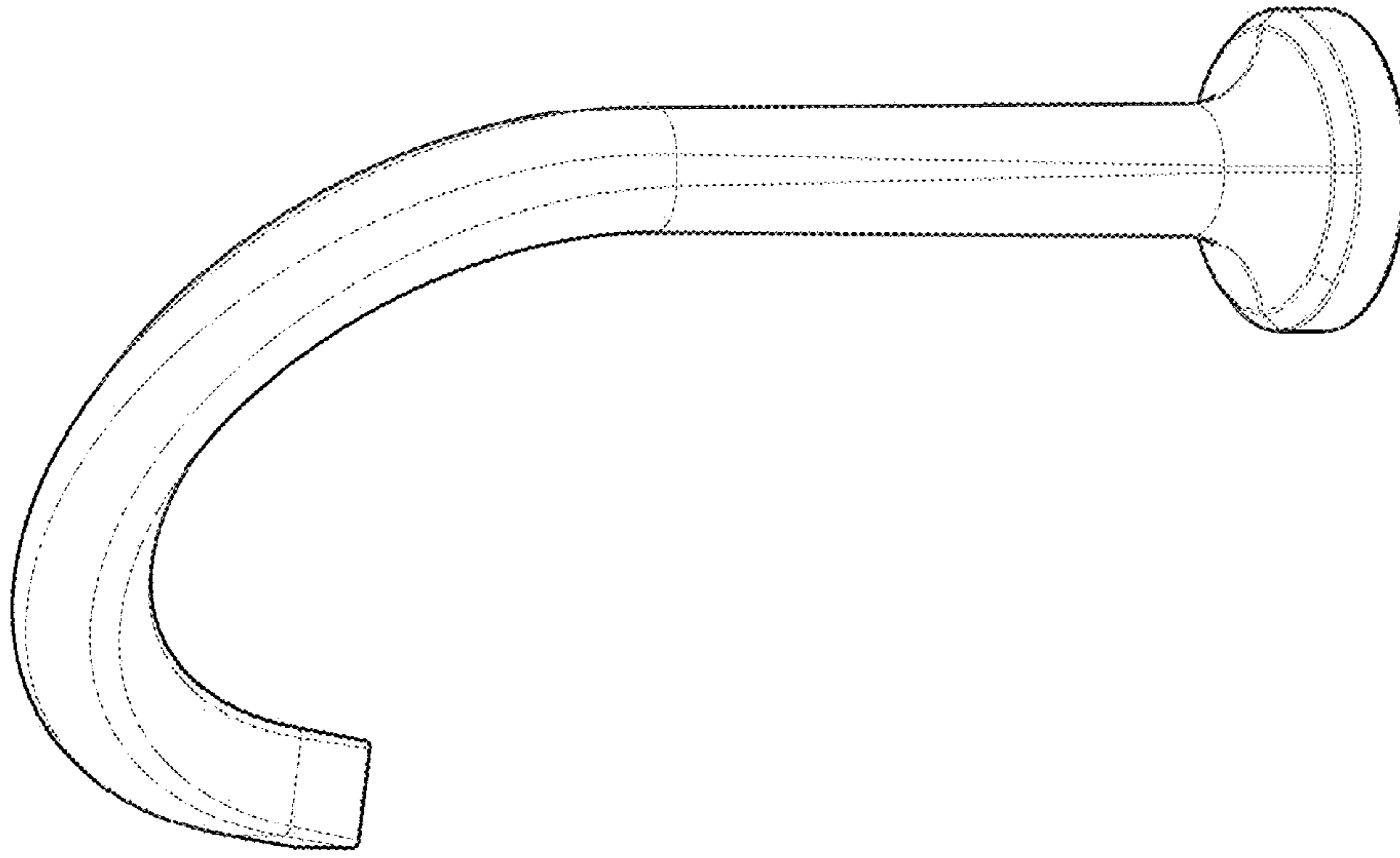


Fig. 2

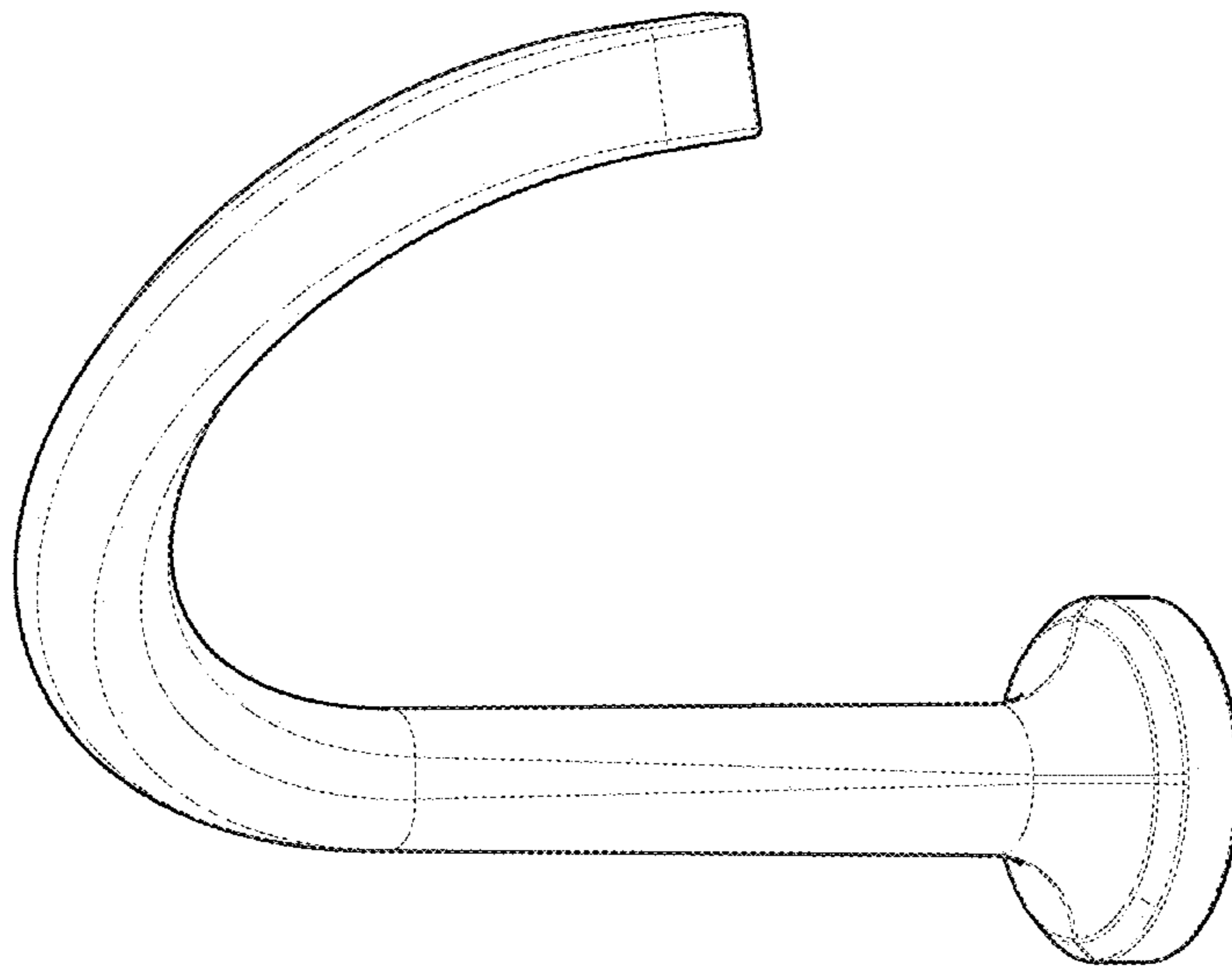


Fig. 1

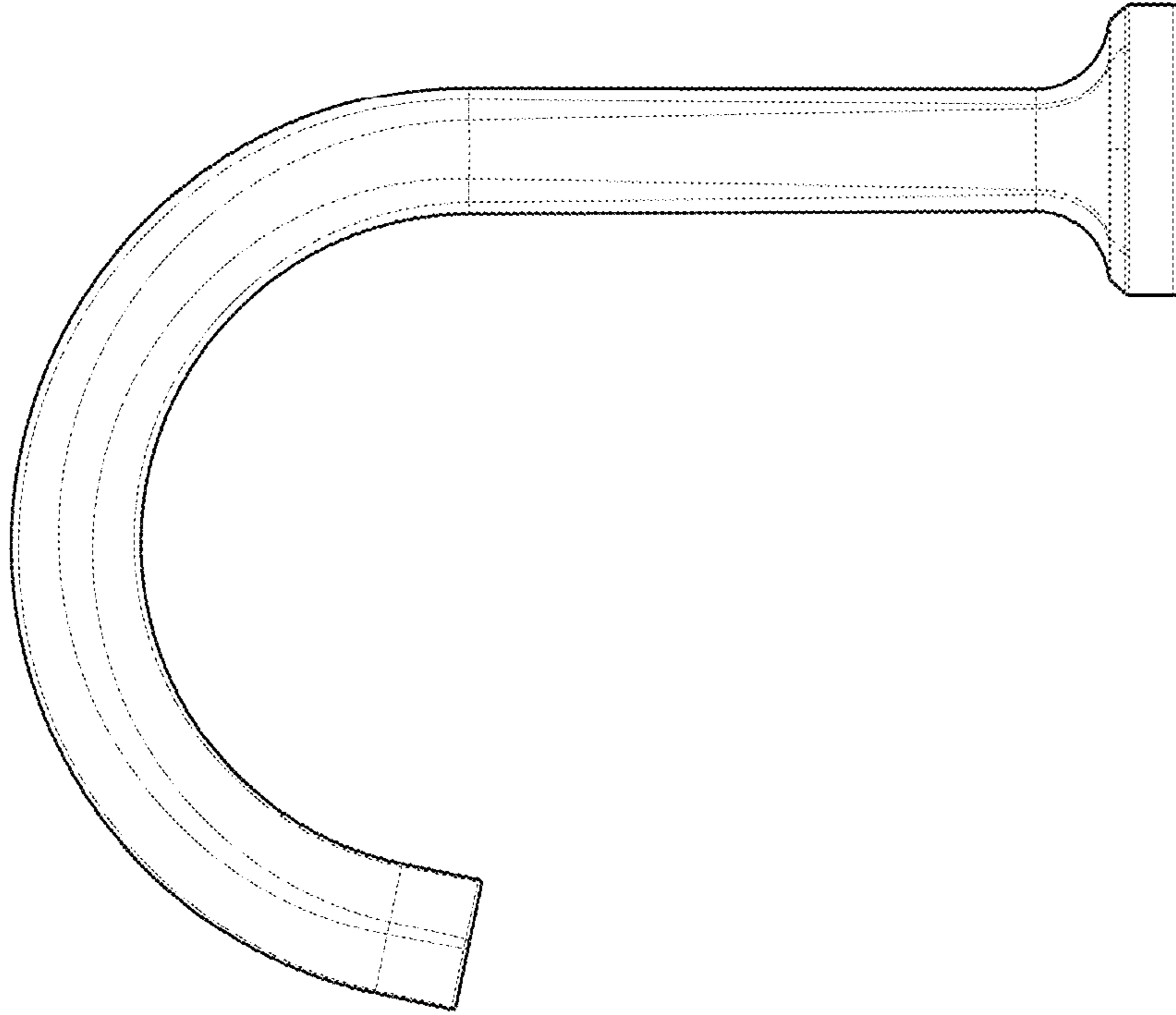


Fig. 4

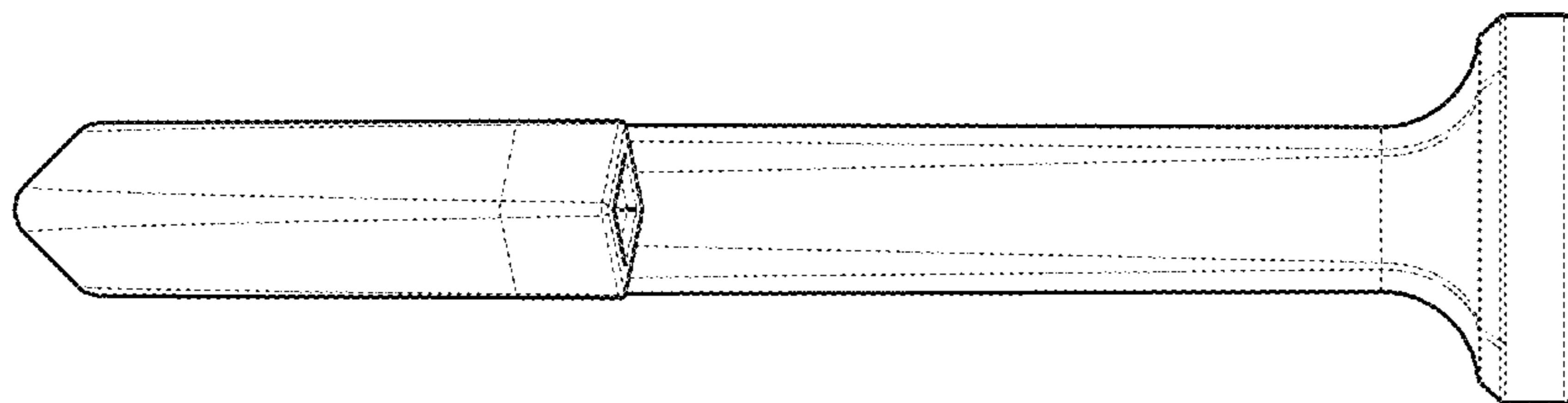


Fig. 3

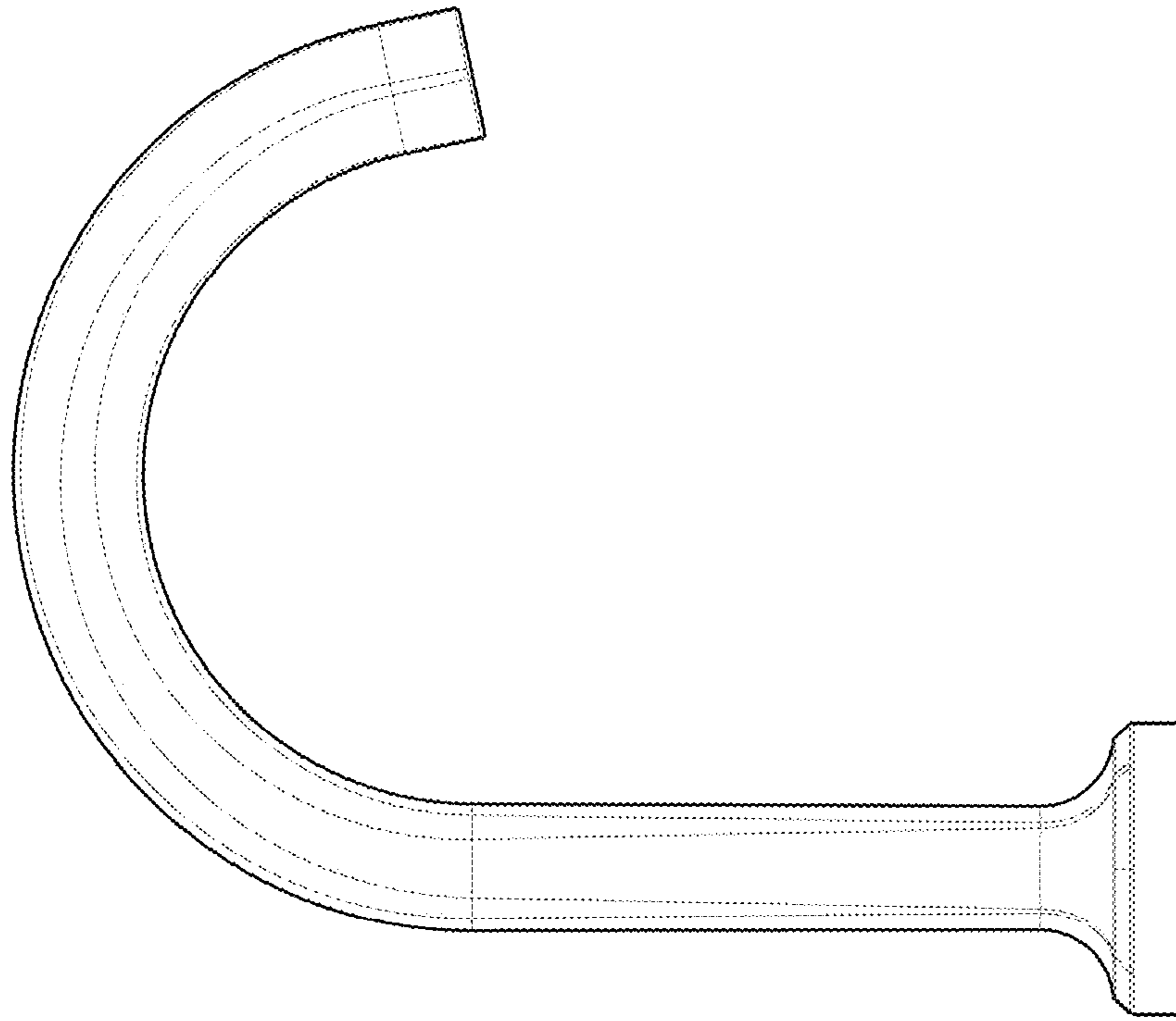


Fig. 6

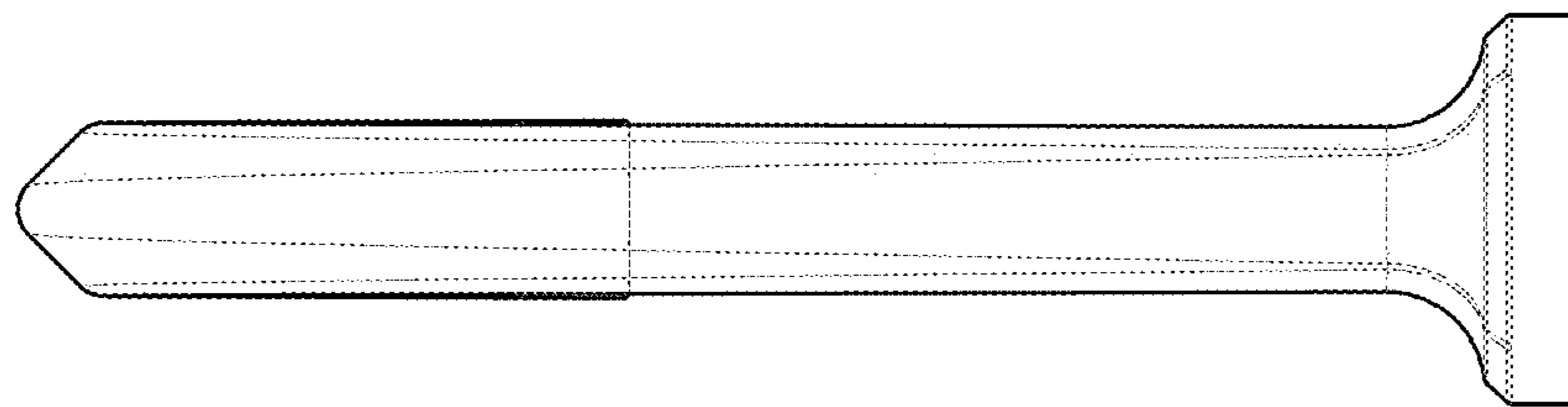


Fig. 5

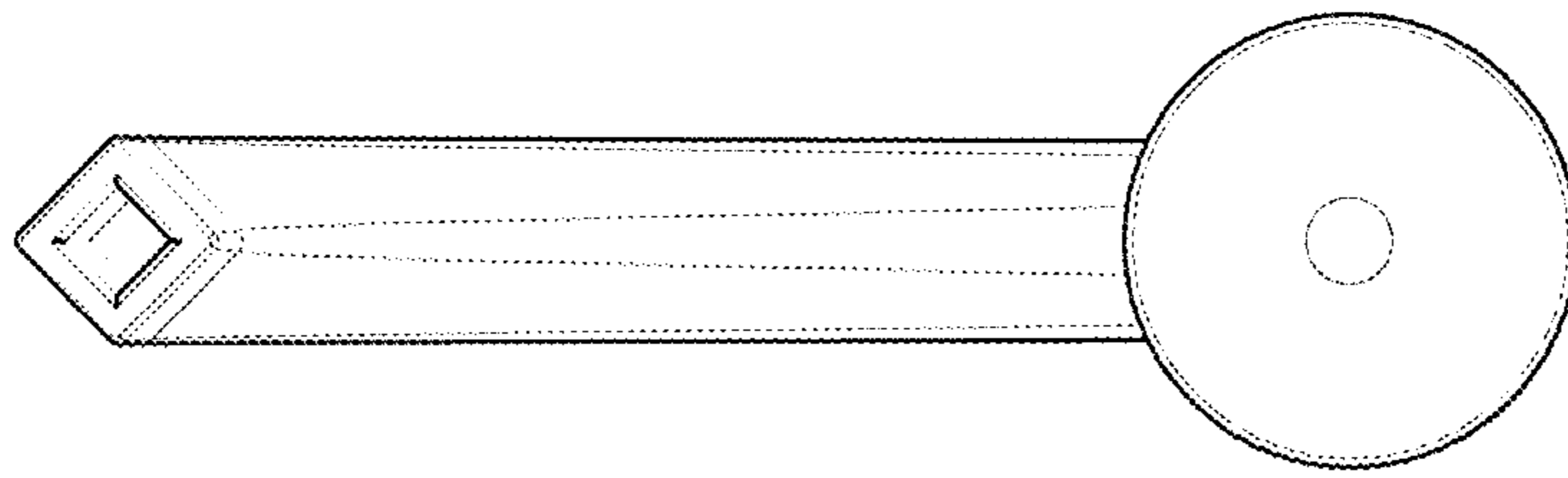


Fig. 8

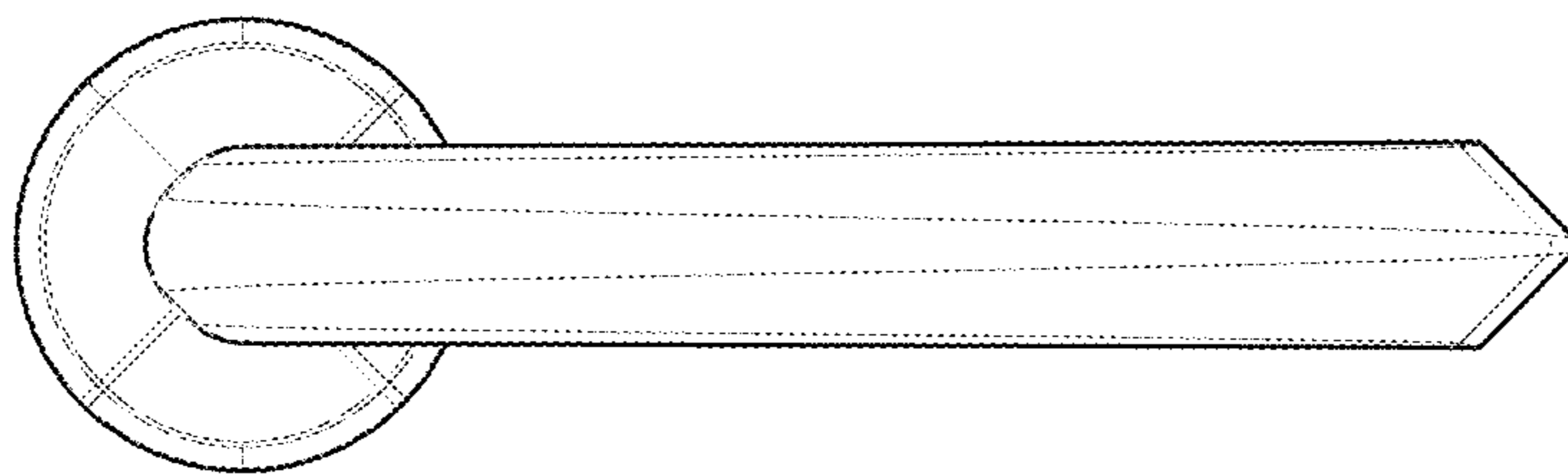


Fig. 7