



US00D871554S

(12) **United States Design Patent**
Garland

(10) **Patent No.:** **US D871,554 S**

(45) **Date of Patent:** **** Dec. 31, 2019**

(54) **FAUCET HANDLE**

(71) Applicant: **DELTA FAUCET COMPANY,**
Indianapolis, IN (US)

(72) Inventor: **Celine Kwok Garland,** Zionsville, IN
(US)

(73) Assignee: **DELTA FAUCET COMPANY,**
Indianapolis, IN (US)

(**) Term: **15 Years**

(21) Appl. No.: **29/638,506**

(22) Filed: **Feb. 27, 2018**

(51) **LOC (12) Cl.** **23-01**

(52) **U.S. Cl.**
USPC **D23/252**

(58) **Field of Classification Search**
USPC D23/238-243, 249, 250-251, 252-255,
D23/257, 309; D8/300, 307, 308
CPC Y10T 137/9464; E03C 1/04; E03C 1/0412
See application file for complete search history.

(56) **References Cited**

U.S. PATENT DOCUMENTS

D296,815 S * 7/1988 Jans D23/252
D299,109 S * 12/1988 Jans D23/252

D301,275 S * 5/1989 Paul D23/242
D505,715 S * 5/2005 Kennard D23/252
D663,805 S * 7/2012 Downey D23/252
D738,468 S * 9/2015 Bahler D23/242
D851,218 S * 6/2019 Bahler D23/252

* cited by examiner

Primary Examiner — Sheryl Lane

Assistant Examiner — Samantha Wood

(74) *Attorney, Agent, or Firm* — Edgar A. Zarins; Nirav
D. Parikh

(57) **CLAIM**

The ornamental design for a faucet handle, as shown and
described.

DESCRIPTION

FIG. 1 is a first perspective view of a faucet handle showing
my new design;

FIG. 2 is a second perspective view thereof;

FIG. 3 is a front view thereof;

FIG. 4 is a first side view thereof;

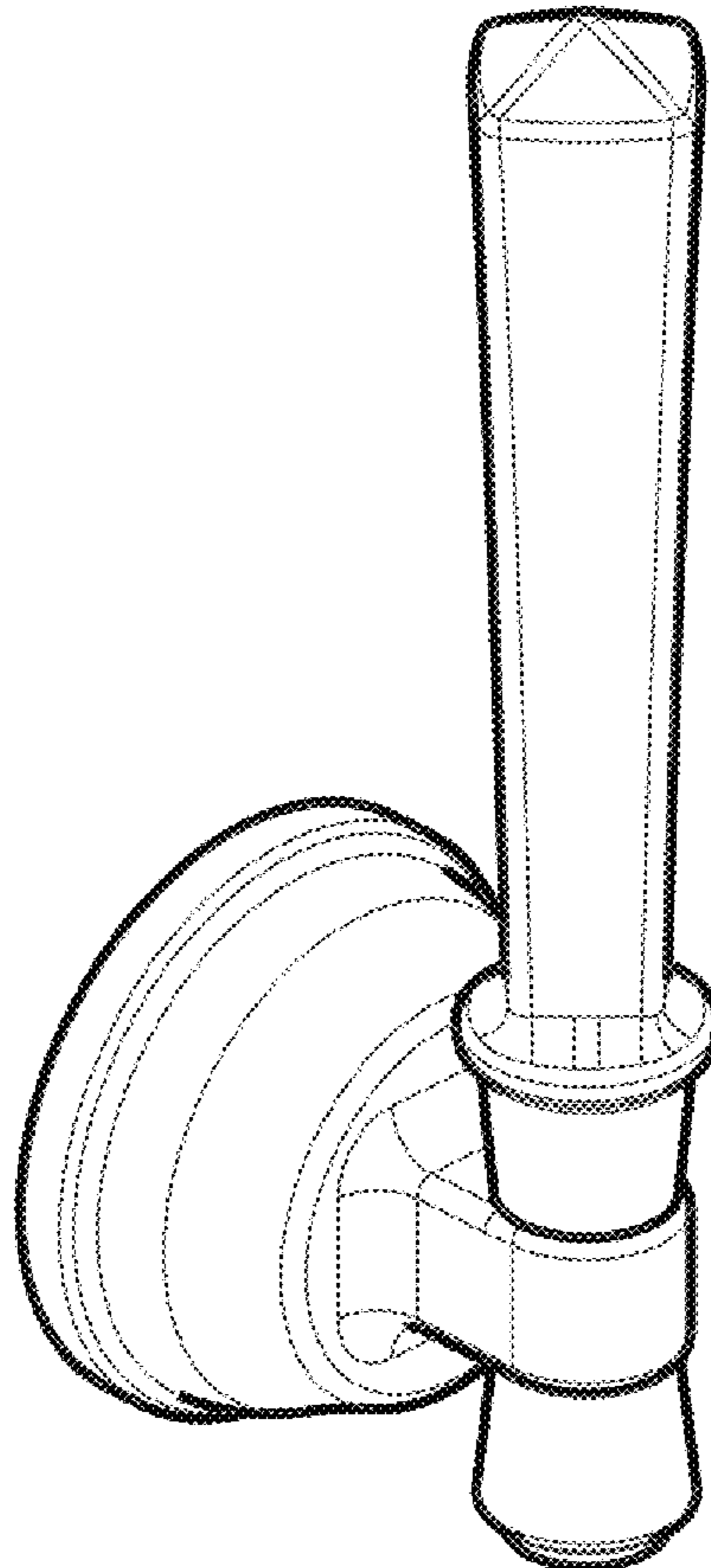
FIG. 5 is a rear view thereof;

FIG. 6 is a second side view thereof;

FIG. 7 is a top plan view thereof; and,

FIG. 8 is a bottom view thereof.

1 Claim, 4 Drawing Sheets



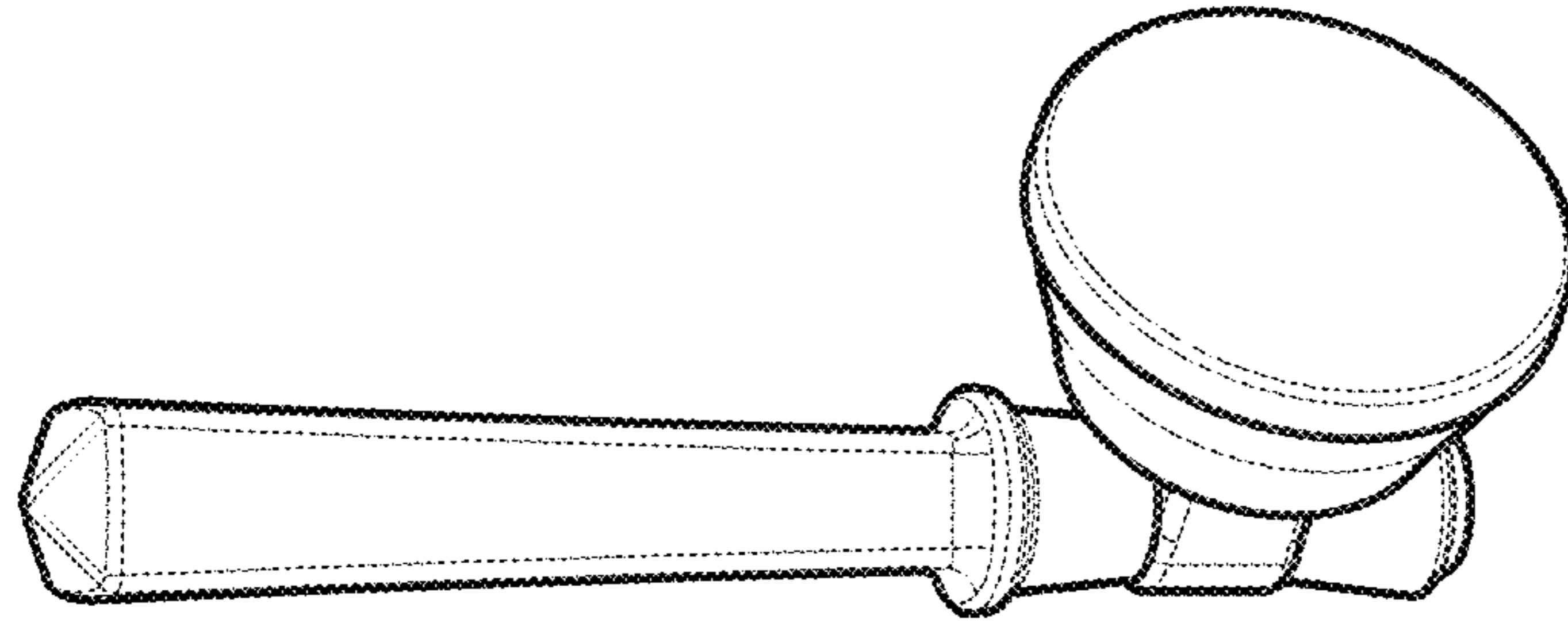


Fig. 2

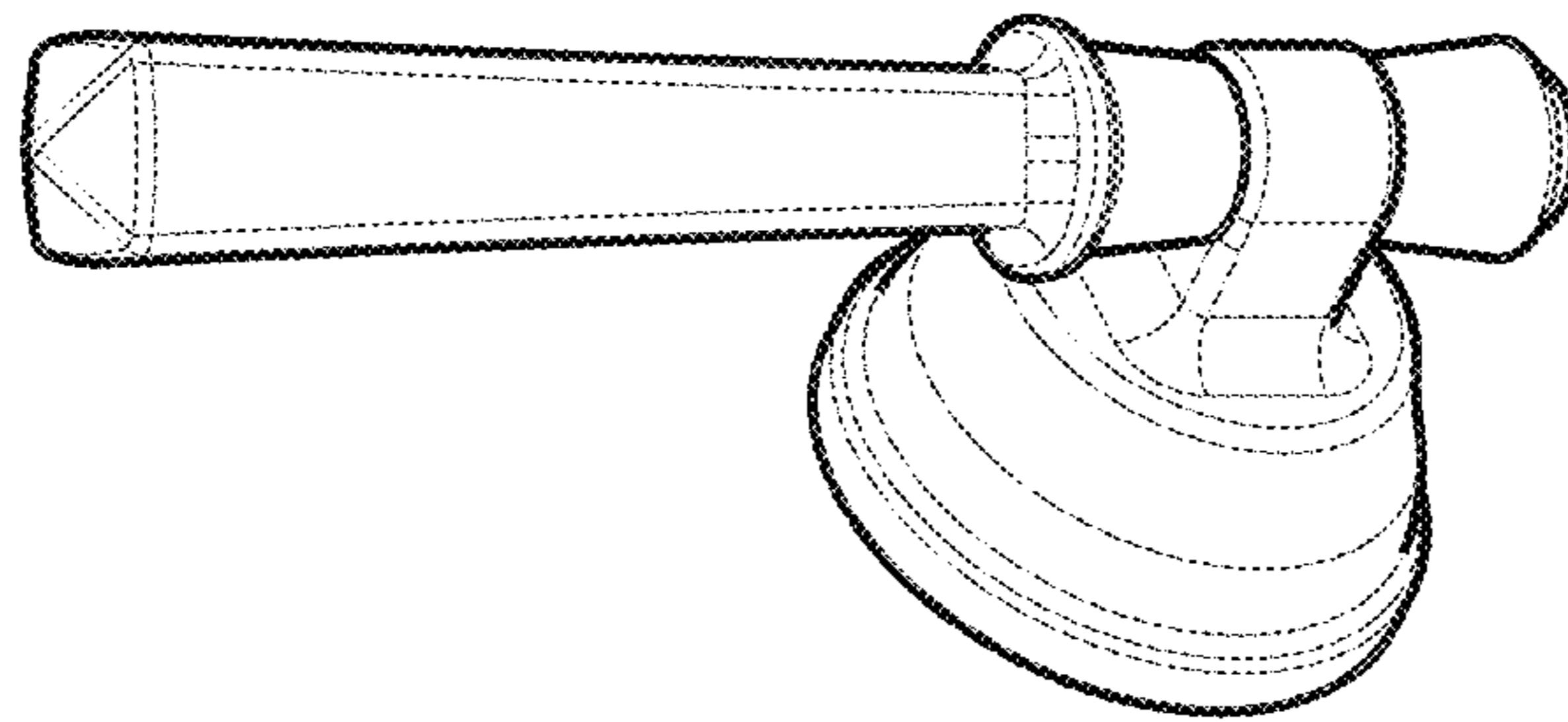


Fig. 1

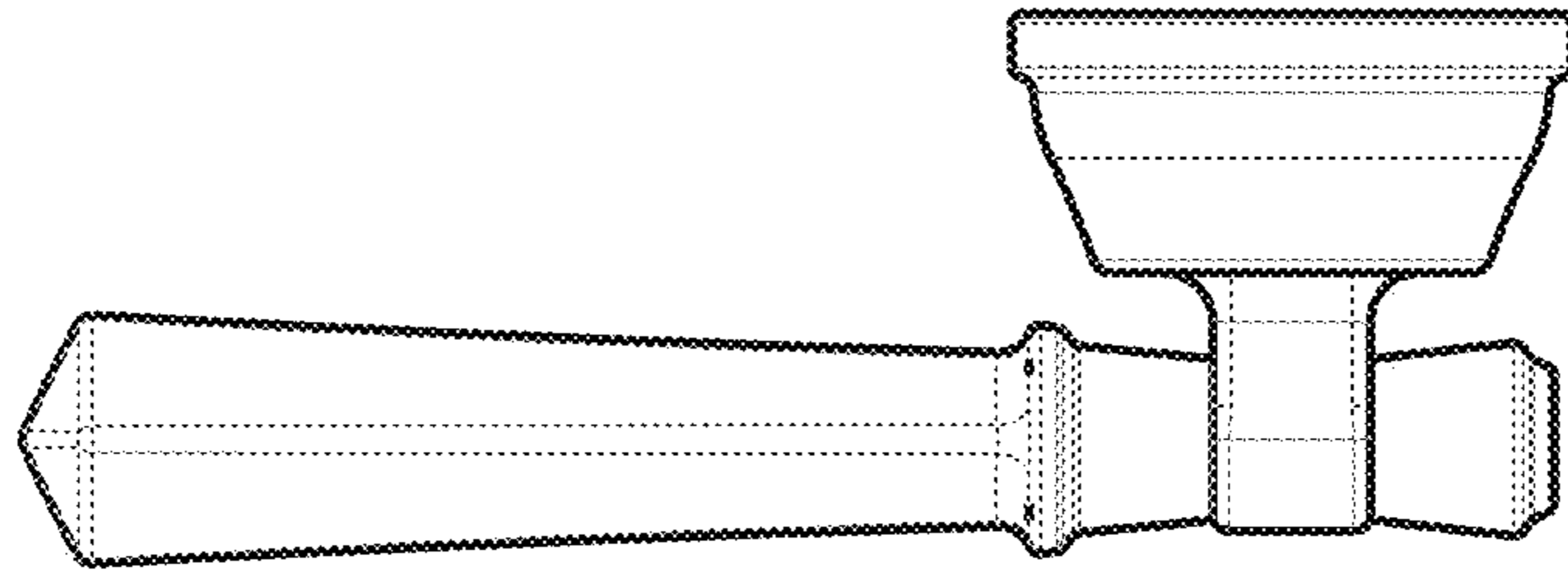


Fig. 4

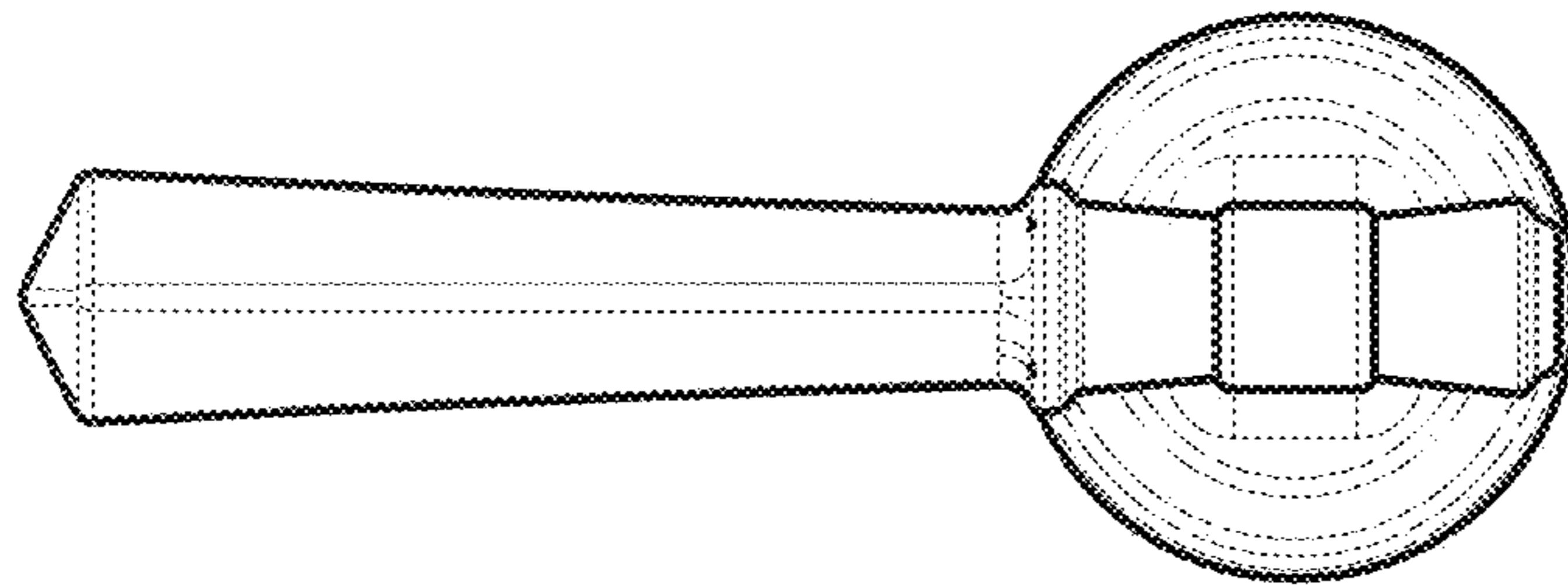


Fig. 3

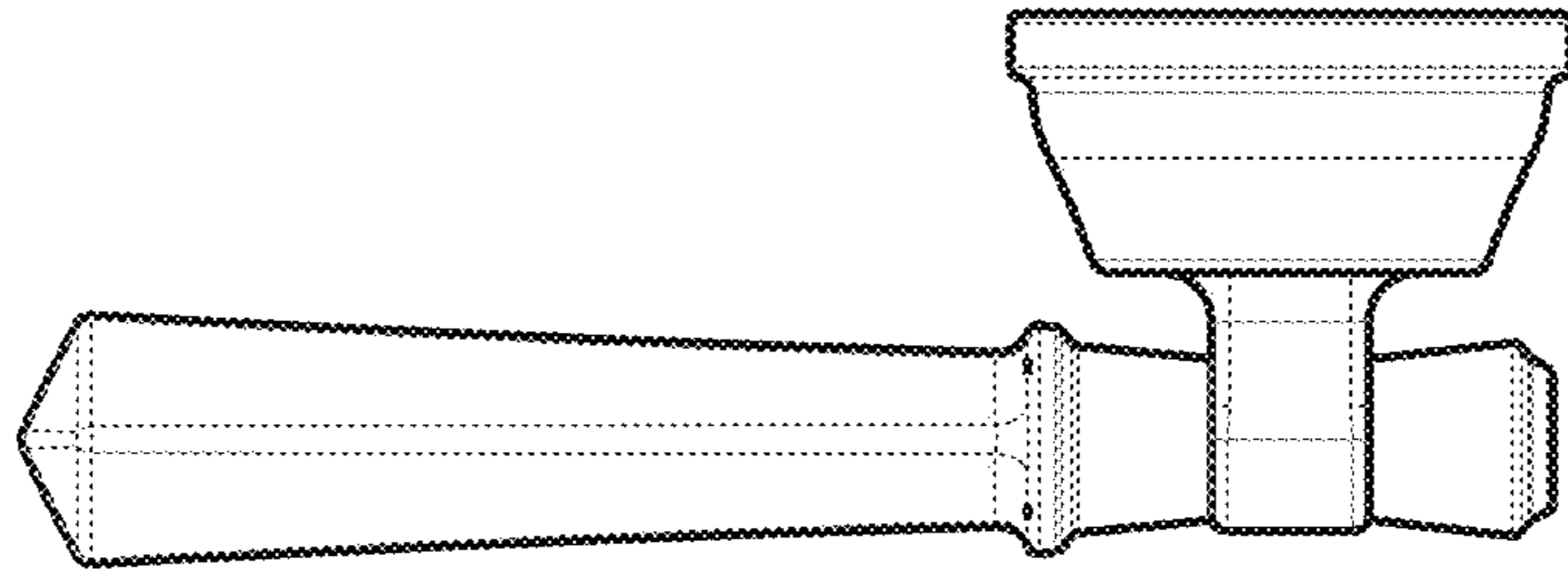


Fig. 6

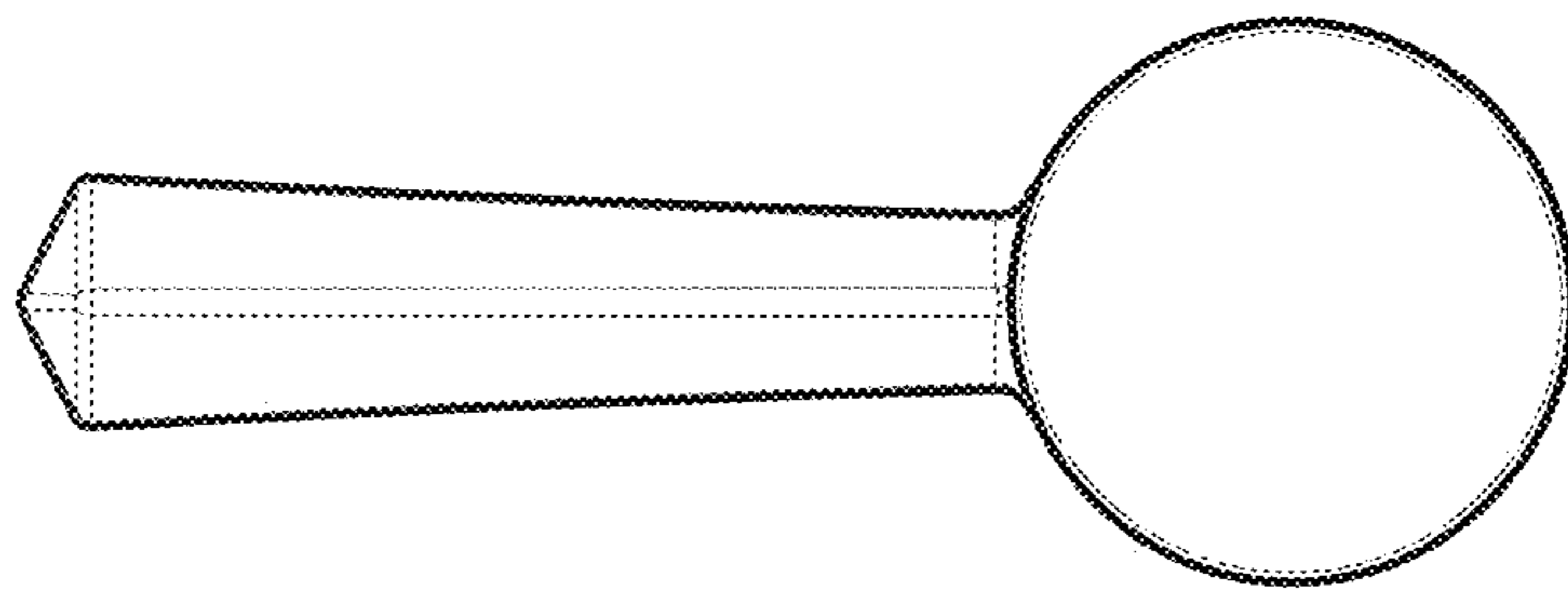


Fig. 5

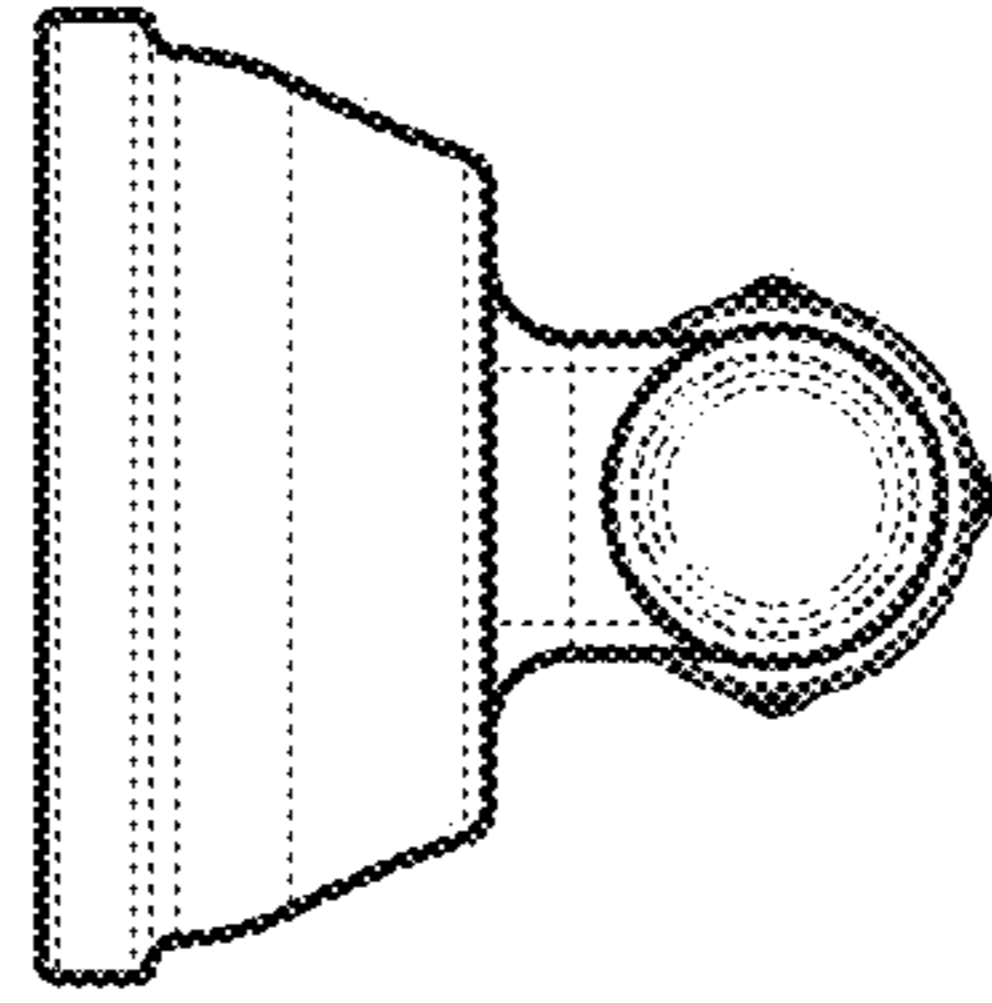


Fig. 8

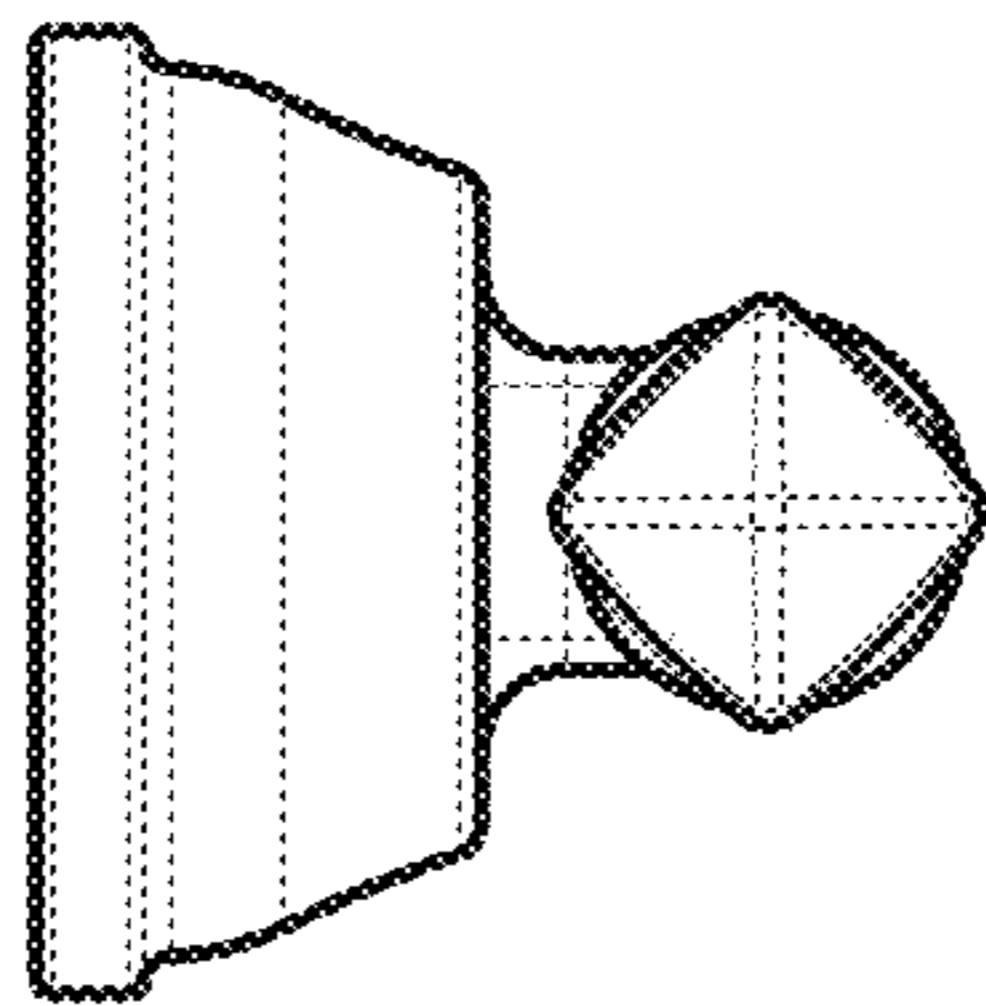


Fig. 7