



US00D871552S

(12) **United States Design Patent** (10) **Patent No.:** **US D871,552 S**  
**Turner** (45) **Date of Patent:** **\*\* Dec. 31, 2019**

(54) **VALVE BODY**

(56) **References Cited**

(71) Applicant: **Accurate Repetition PTY Limited**,  
New South Wales (AU)  
(72) Inventor: **Brett Turner**, New South Wales (AU)  
(73) Assignee: **ACCURATE REPETITION PTY LIMITED**, New South Wales (AU)  
(\*\*) Term: **15 Years**  
(21) Appl. No.: **29/575,157**  
(22) Filed: **Aug. 23, 2016**

U.S. PATENT DOCUMENTS

D268,048 S \* 2/1983 Ueda ..... D23/248  
D290,640 S \* 6/1987 Andersson ..... D23/249  
D470,226 S \* 2/2003 Herbert ..... D23/249  
6,685,164 B1 \* 2/2004 Koizumi ..... F16K 1/302  
251/331  
8,191,855 B2 6/2012 Hezel et al.  
9,593,780 B2 \* 3/2017 Sasaki ..... F16K 15/18  
2010/0294971 A1 \* 11/2010 Hajjar ..... F16K 7/14  
251/331  
2011/0127459 A1 \* 6/2011 Takahashi ..... F16K 99/0015  
251/333  
2012/0055555 A1 \* 3/2012 Saint-Paul ..... F16K 7/14  
137/1  
2013/0092134 A1 4/2013 Zurke et al.  
2013/0098340 A1 4/2013 Zurke et al.

**Related U.S. Application Data**

(63) Continuation of application No. 14/905,166, filed as application No. PCT/AU2014/050123 on Jul. 15, 2014, now Pat. No. 10,077,709.

\* cited by examiner

*Primary Examiner* — Gino Colan  
(74) *Attorney, Agent, or Firm* — W&C IP

(30) **Foreign Application Priority Data**

Jul. 15, 2013 (AU) ..... 2013902604

(51) **LOC (12) Cl.** ..... **23-01**

(52) **U.S. Cl.**  
USPC ..... **D23/249**

(58) **Field of Classification Search**  
USPC ..... D23/233–249, 259; 251/359, 309, 360, 251/306, 314, 324, 363, 331, 335.2, 61.1; 123/188.8, 90.1; 137/538, 188.2, 315.05  
CPC . F16K 1/42; F16K 1/36; F16K 3/0227; F16K 5/0689; F16K 11/044; F16K 7/12; F16K 7/17; F16K 7/16; F16K 41/12; F16K 3/243; F16K 99/0015

See application file for complete search history.

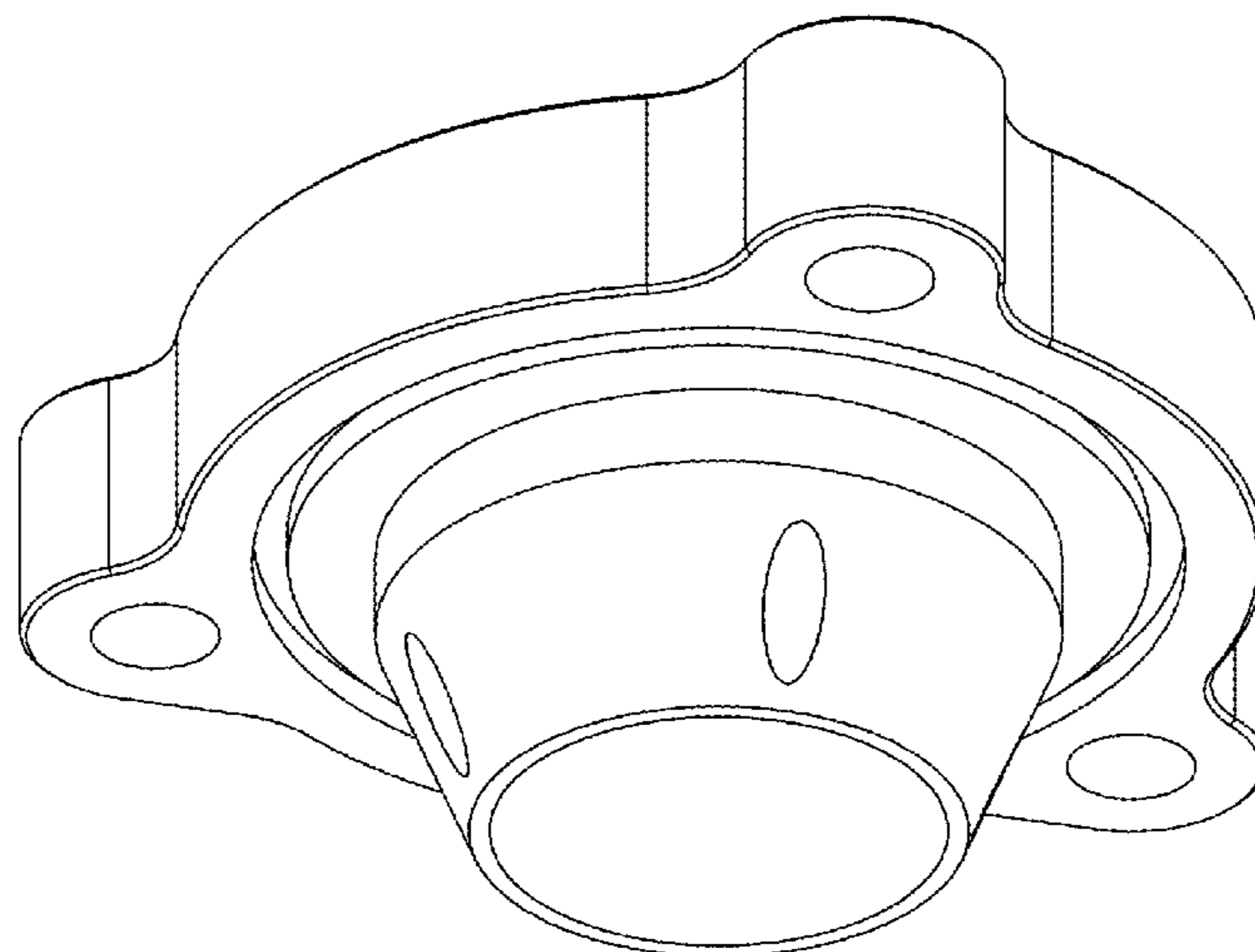
(57) **CLAIM**

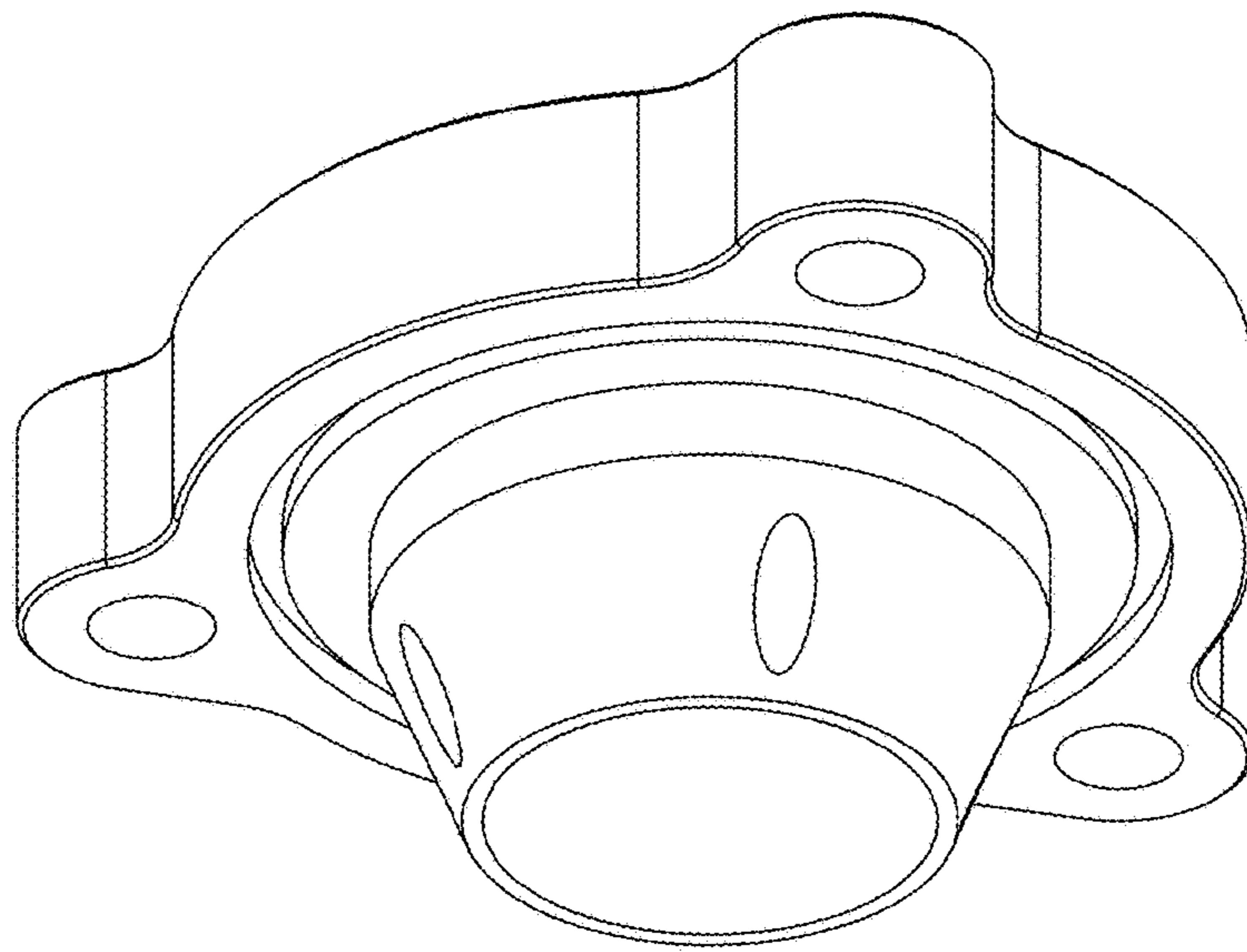
What is claimed is the ornamental design for a valve body, as shown and described.

**DESCRIPTION**

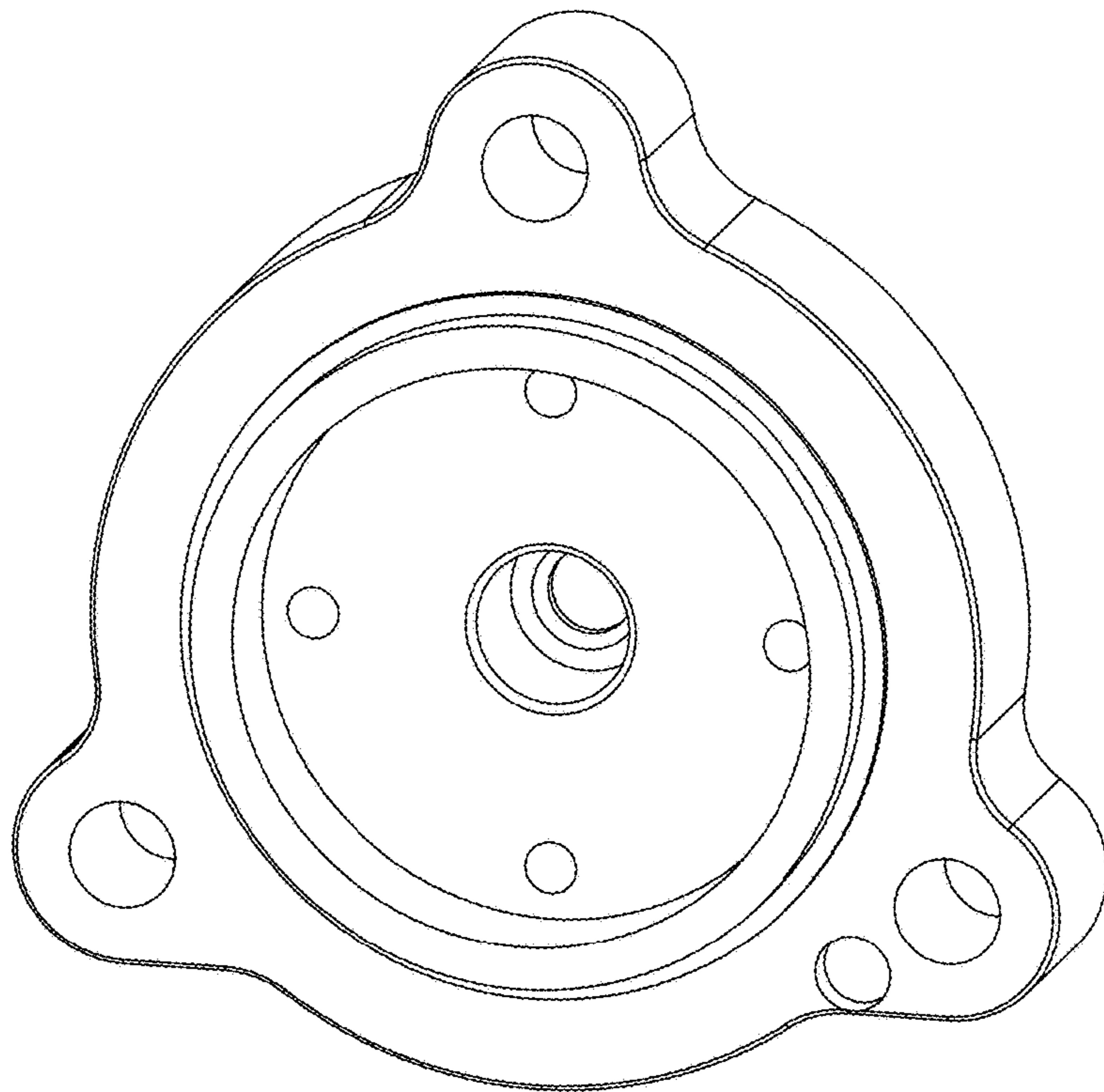
FIG. 1 is an upper perspective view of a valve body showing my new design.  
FIG. 2 is a lower perspective view of the valve body;  
FIG. 3 is a side view of the valve body;  
FIG. 4 is another perspective view of the valve body; and  
FIG. 5 is a cross-sectional view of the valve body as shown in FIG. 6, taken through line 5-5; and,  
FIG. 6 is a plan view of the valve body.

**1 Claim, 6 Drawing Sheets**

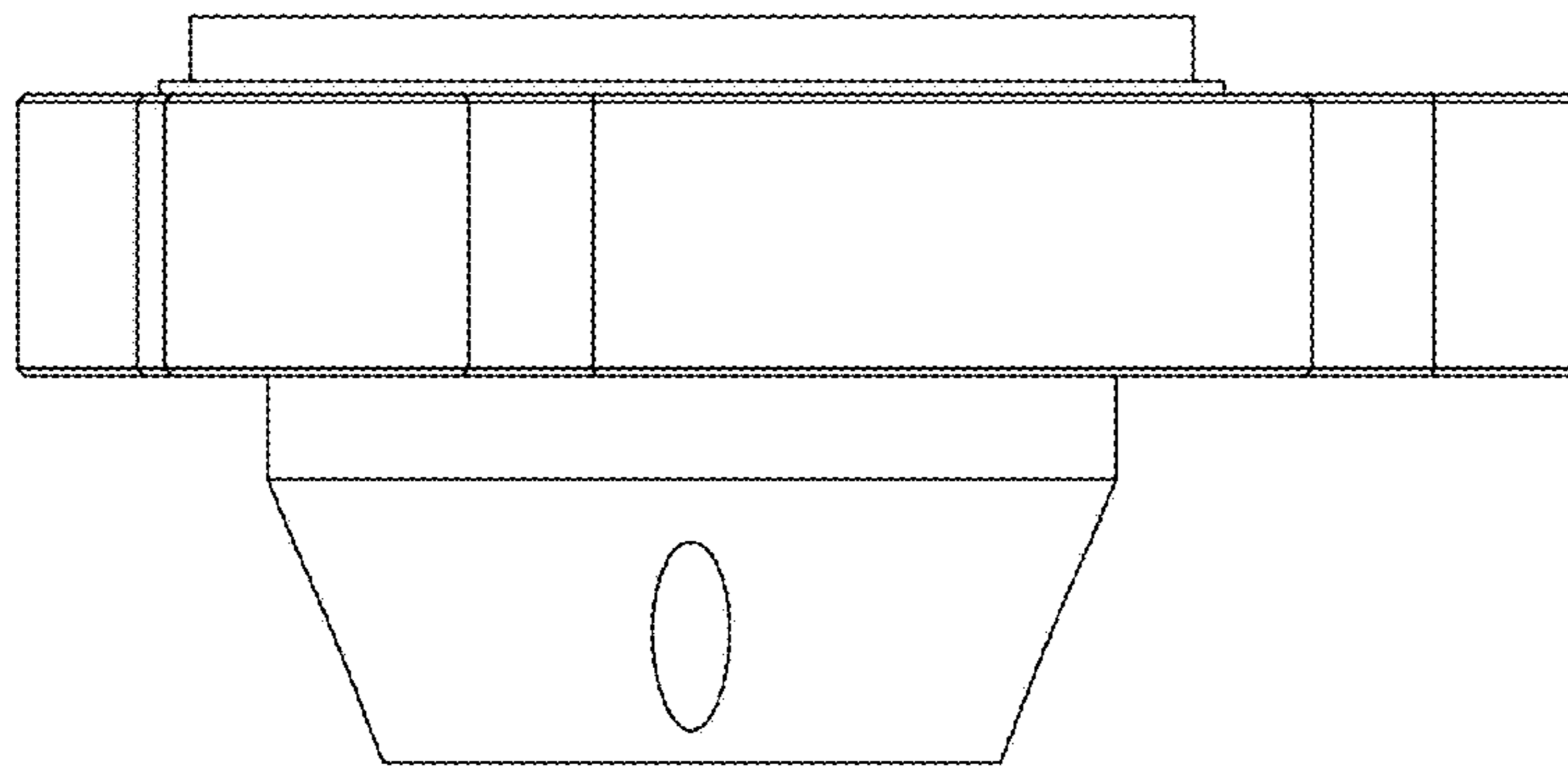




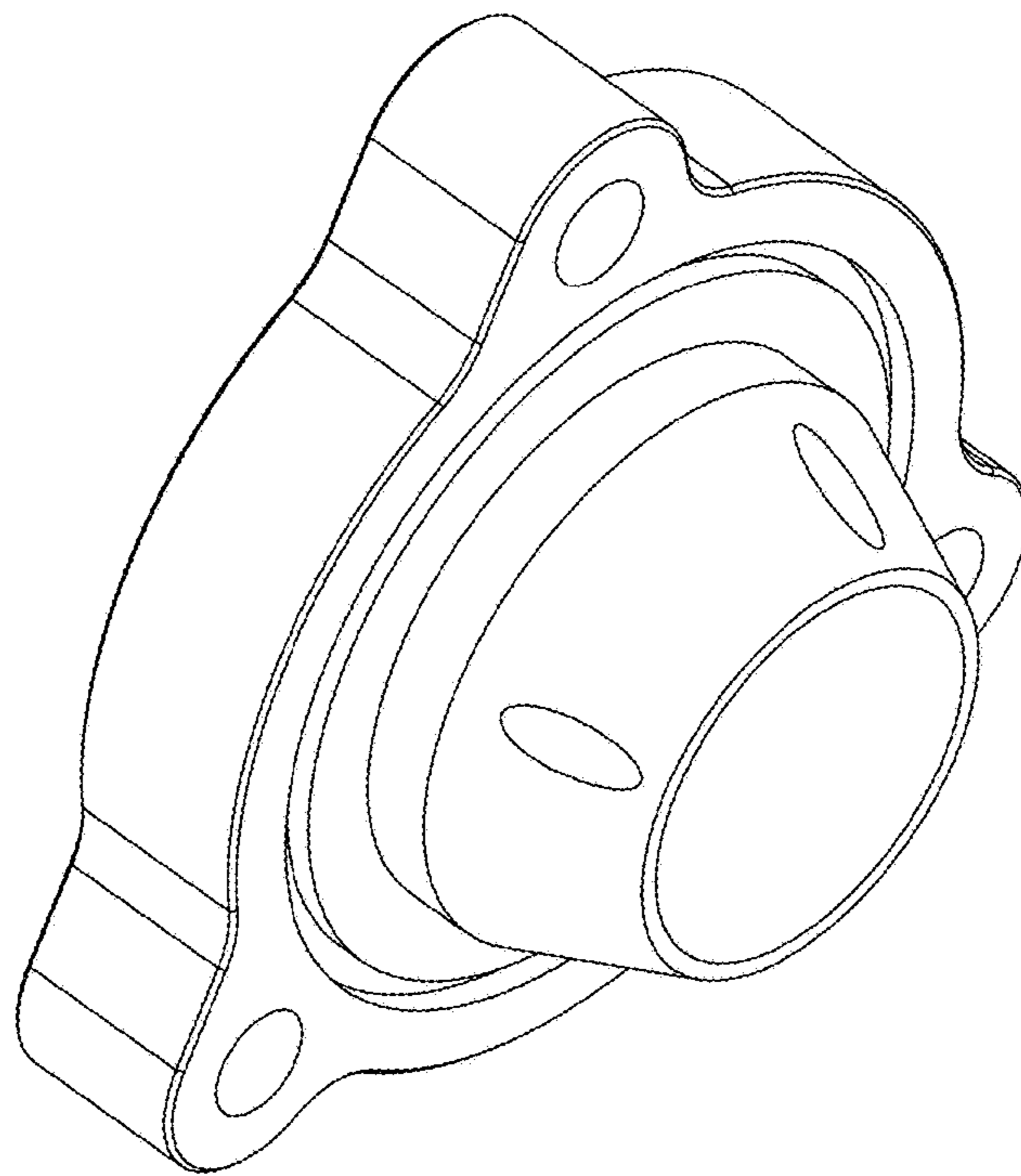
*Figure 1*



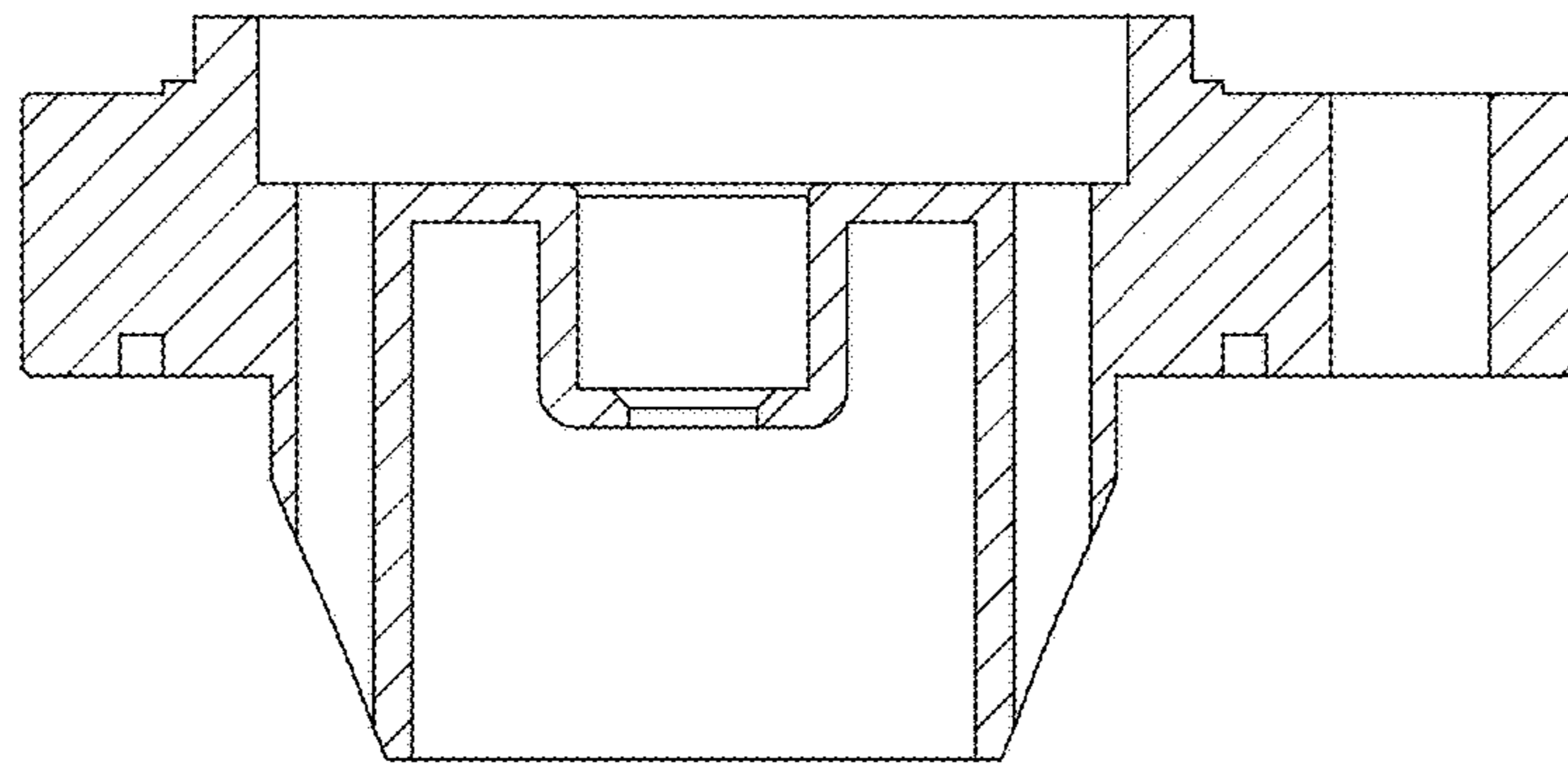
*Figure 2*



*Figure 3*



*Figure 4*



*Figure 5*

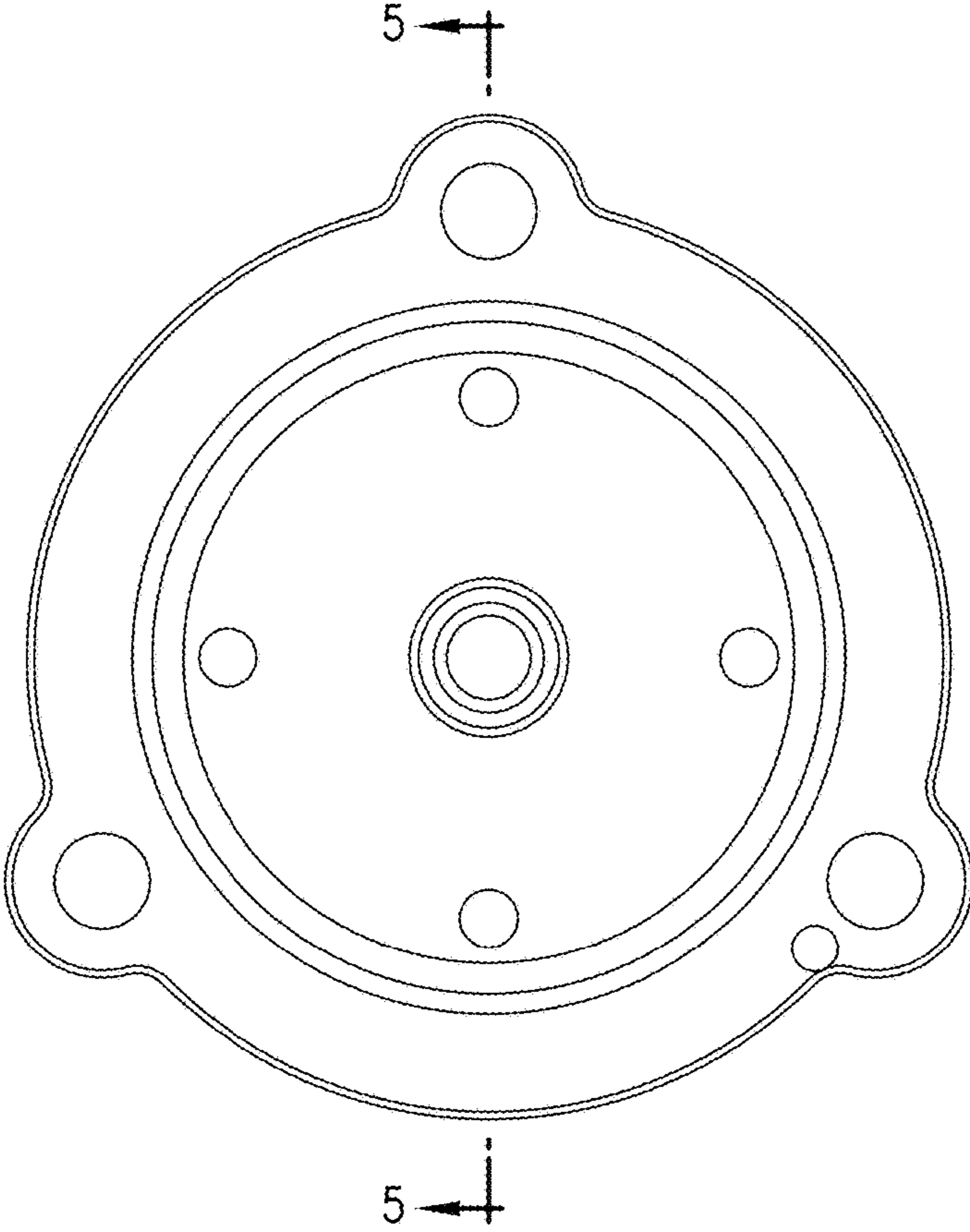


Figure 6