



US00D871549S

(12) **United States Design Patent**  
**Eads**

(10) **Patent No.:** **US D871,549 S**

(45) **Date of Patent:** **\*\* Dec. 31, 2019**

(54) **FAUCET**

(71) Applicant: **DELTA FAUCET COMPANY,**  
Indianapolis, IN (US)

(72) Inventor: **Thad Eads,** Urbana, IN (US)

(73) Assignee: **DELTA FAUCET COMPANY,**  
Indianapolis, IN (US)

(\*\*) Term: **15 Years**

(21) Appl. No.: **29/638,166**

(22) Filed: **Feb. 25, 2018**

(51) **LOC (12) Cl.** ..... **23-01**

(52) **U.S. Cl.**  
USPC ..... **D23/238**

(58) **Field of Classification Search**  
USPC ..... D23/238, 241–243, 255, 257, 213, 226,  
D23/252, 254, 245; D8/307–308  
CPC ..... F16K 31/60; F16K 31/602; F16K 31/605;  
F16K 31/607; E03C 1/0405; E03C  
2001/0415; E03C 1/0412; E03C 1/0409  
See application file for complete search history.

(56) **References Cited**

**U.S. PATENT DOCUMENTS**

D527,806 S \* 9/2006 Chu ..... D23/252  
D528,189 S \* 9/2006 Kulig ..... D23/238

D530,786 S \* 10/2006 Gilbert ..... D23/238  
D541,384 S \* 4/2007 Citterio ..... D23/249  
D564,074 S \* 3/2008 Zhang ..... D23/238  
D698,903 S \* 2/2014 Gilbert ..... D23/249  
D811,527 S \* 2/2018 Fritz ..... D23/238  
D828,508 S \* 9/2018 Fritz ..... D23/238  
10,138,621 B2 \* 11/2018 Ritter ..... E03C 1/0412  
10,233,619 B1 \* 3/2019 Lin ..... E03C 1/0404

\* cited by examiner

*Primary Examiner* — Robert A Delehanty

(74) *Attorney, Agent, or Firm* — Edgar A. Zarins; Nirav  
D. Parikh

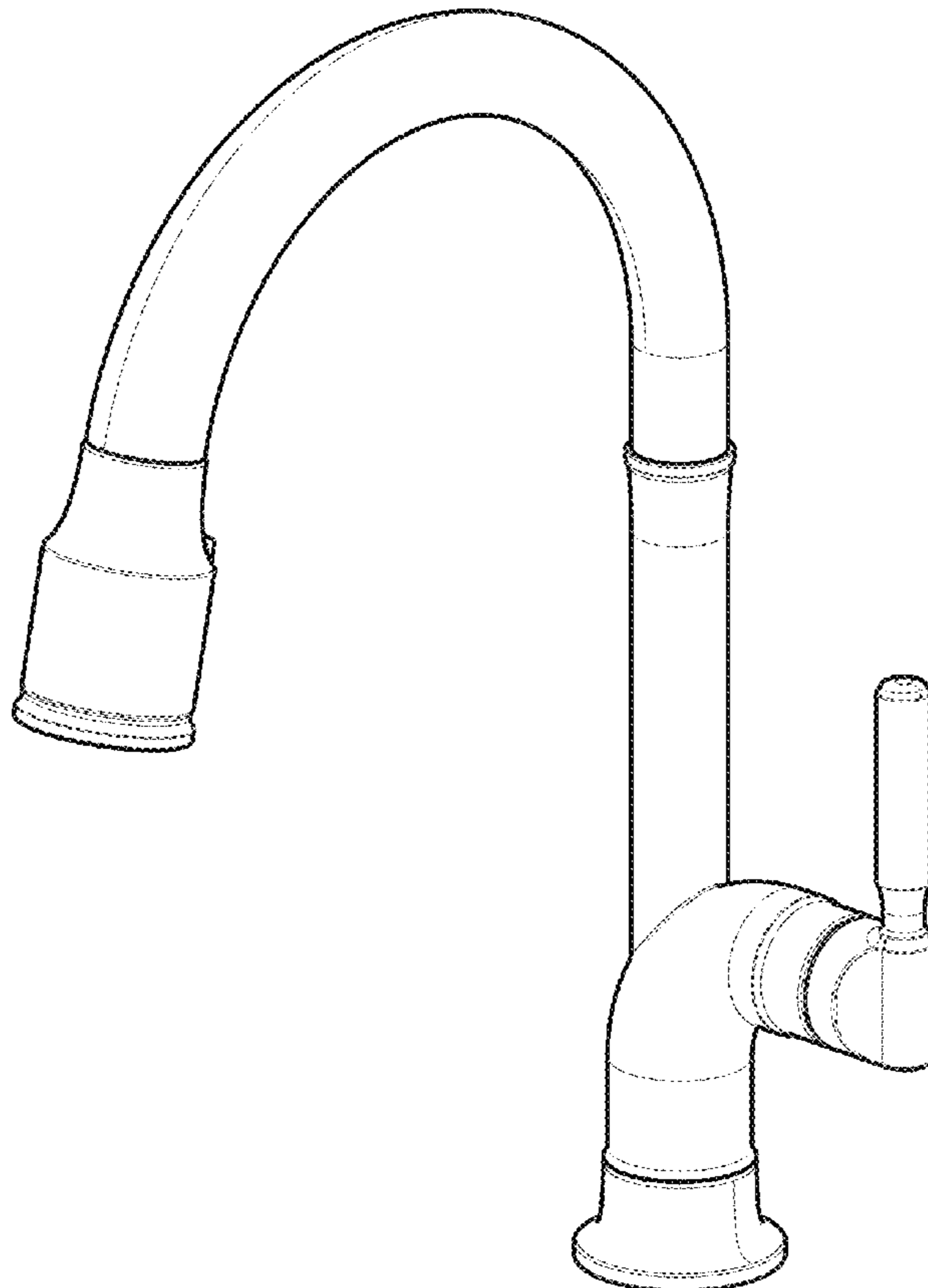
(57) **CLAIM**

The ornamental design for a faucet, as shown and described.

**DESCRIPTION**

FIG. 1 is a front perspective view of a faucet showing my  
new design;  
FIG. 2 is a rear perspective view thereof;  
FIG. 3 is a front elevational view thereof;  
FIG. 4 is a left side view thereof;  
FIG. 5 is a rear view thereof;  
FIG. 6 is a right side view thereof; and,  
FIG. 7 is a top plan view thereof.

**1 Claim, 4 Drawing Sheets**



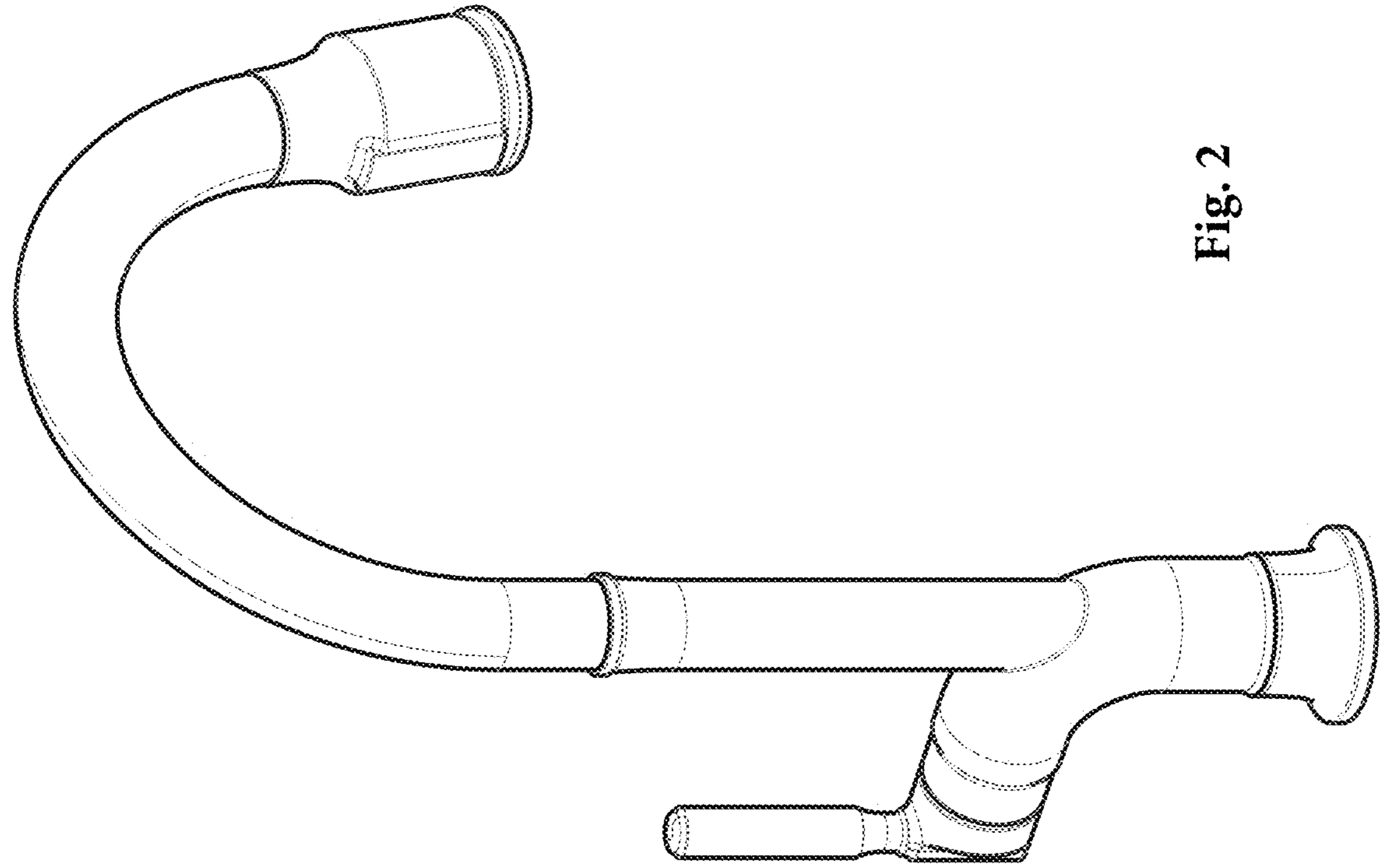


Fig. 2

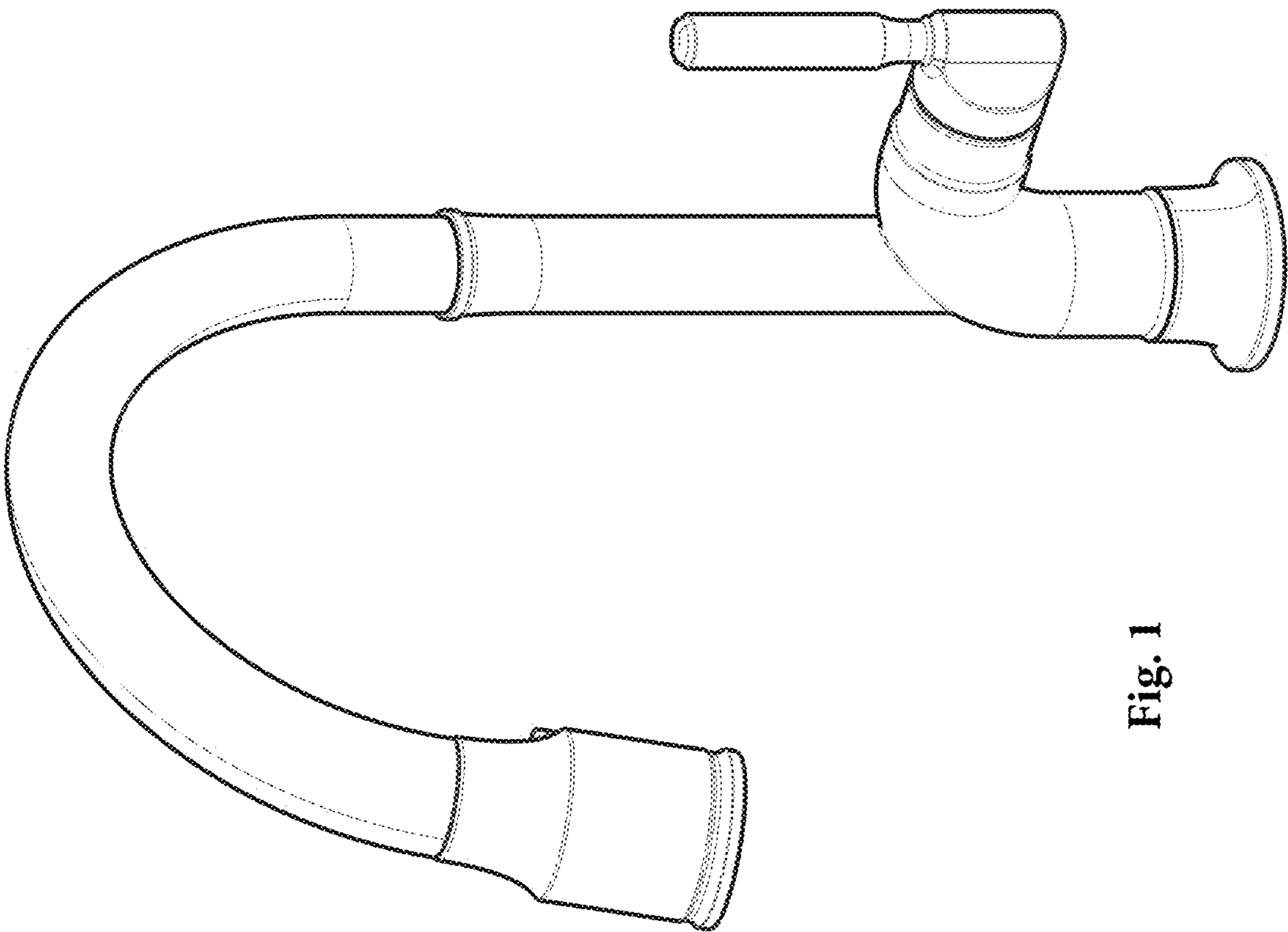


Fig. 1

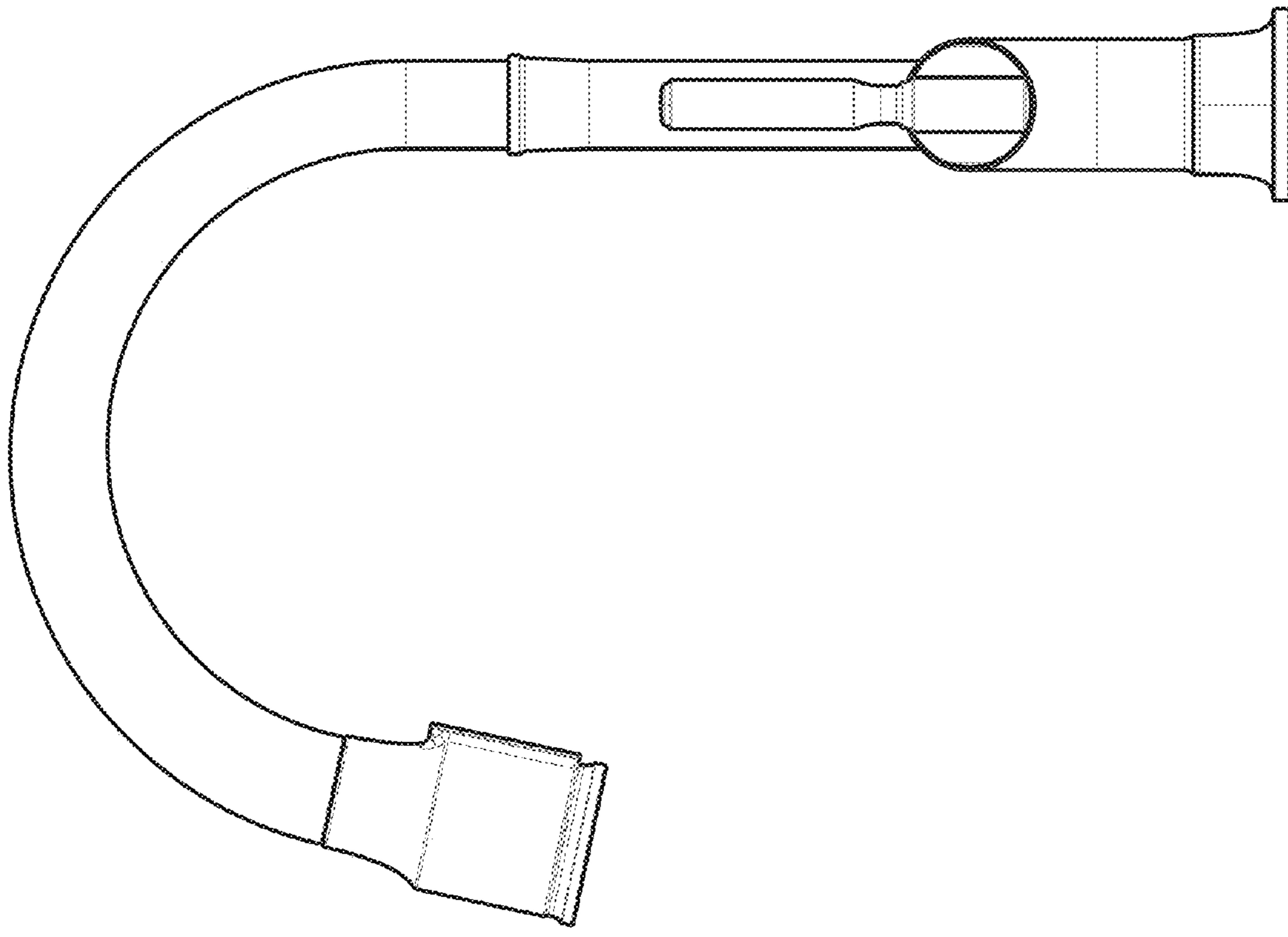


Fig. 4

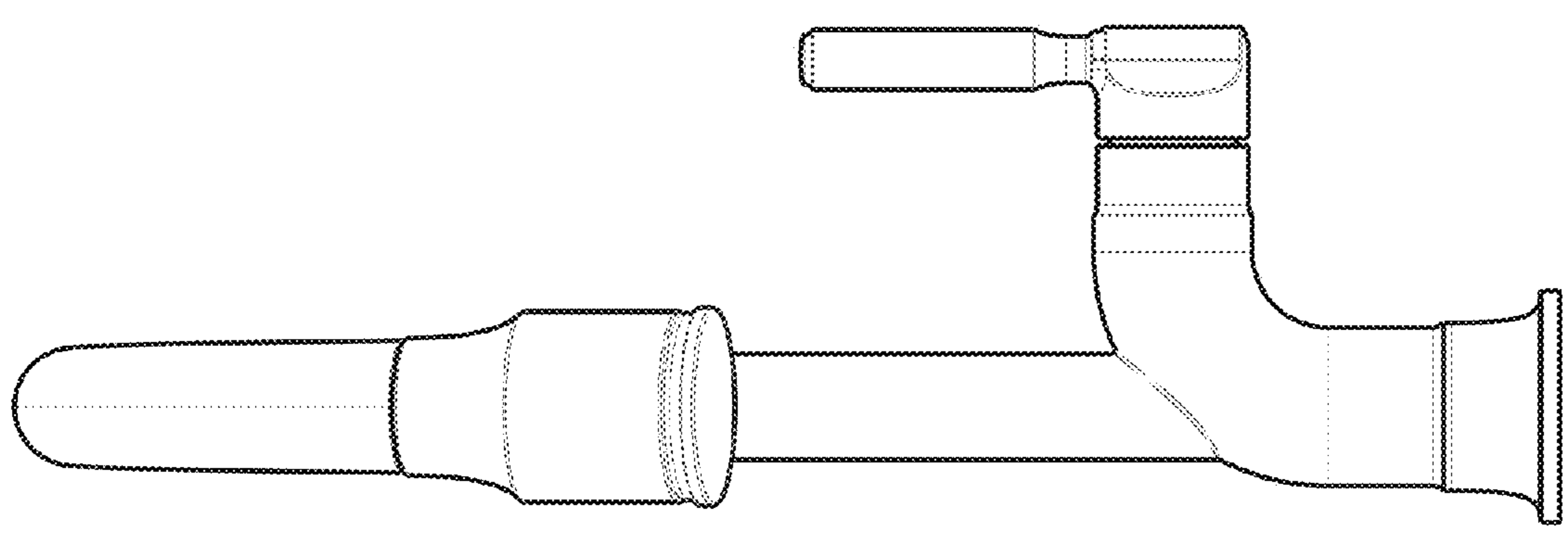


Fig. 3

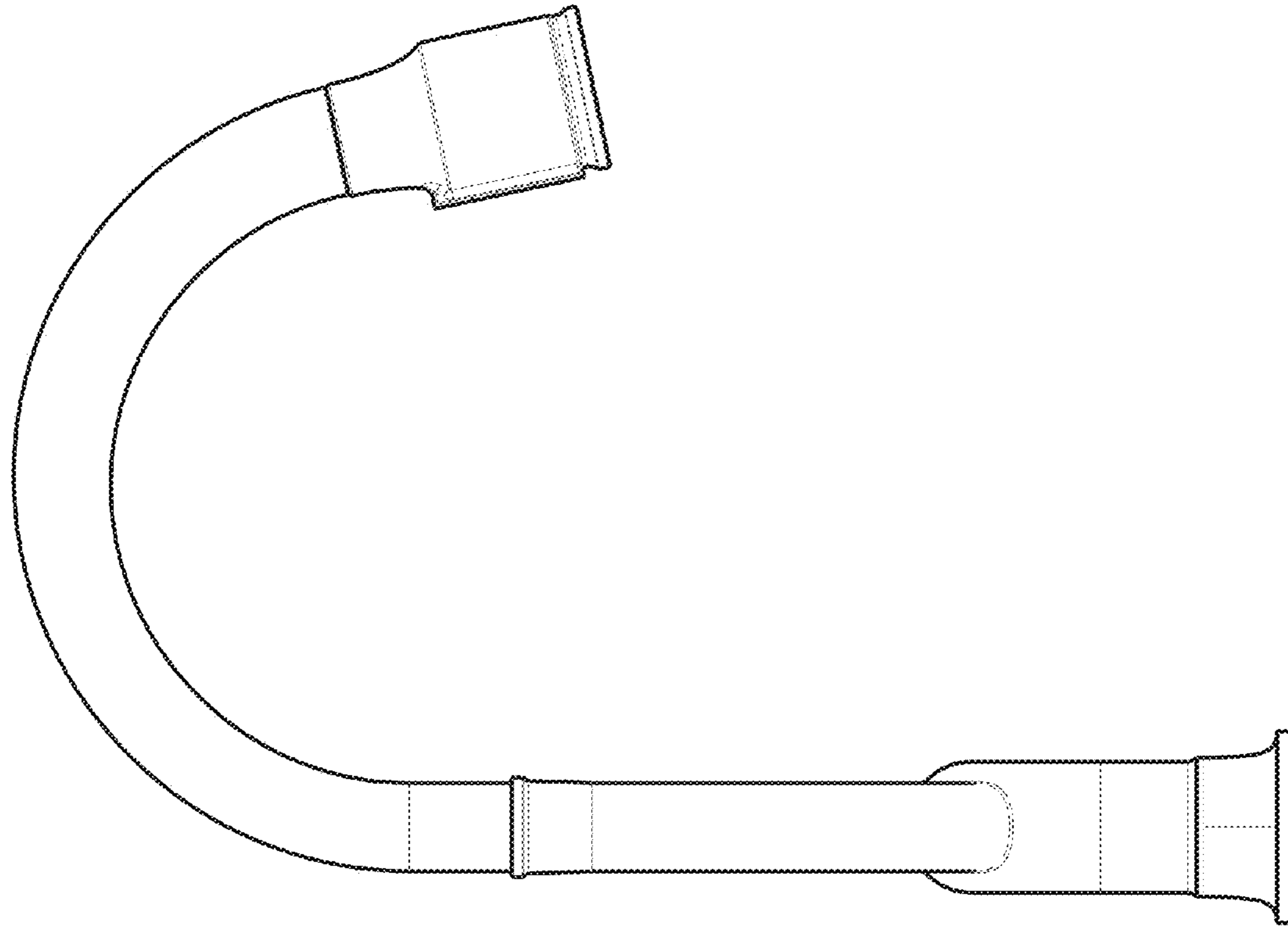


Fig. 6

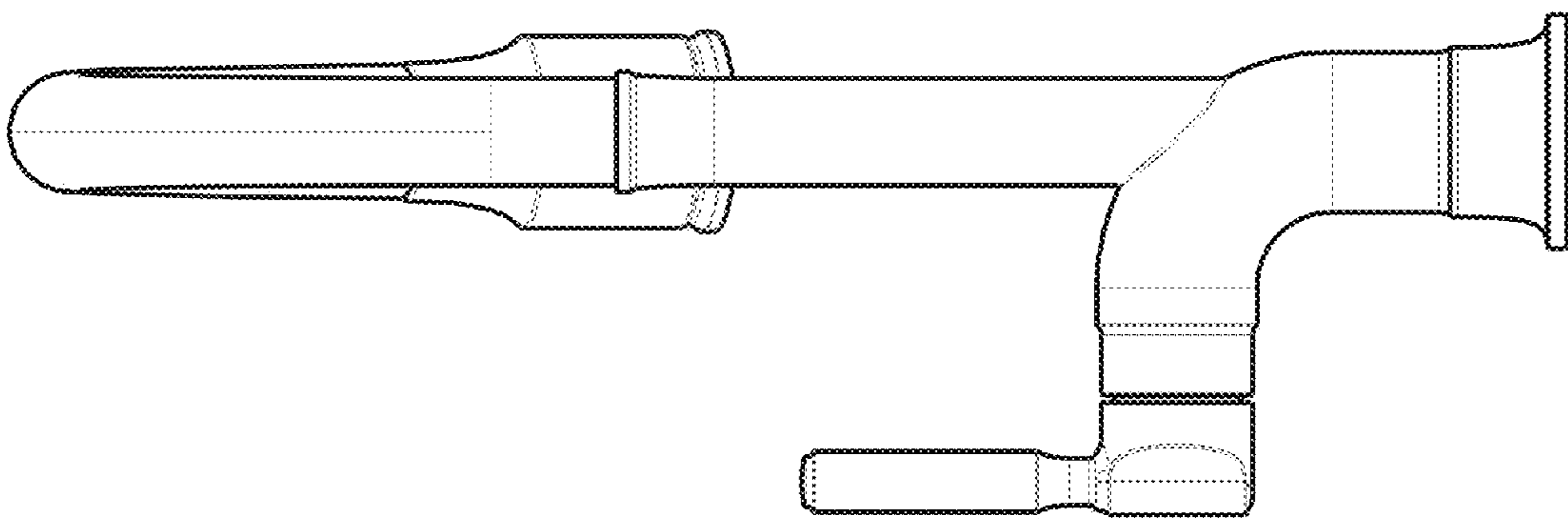


Fig. 5

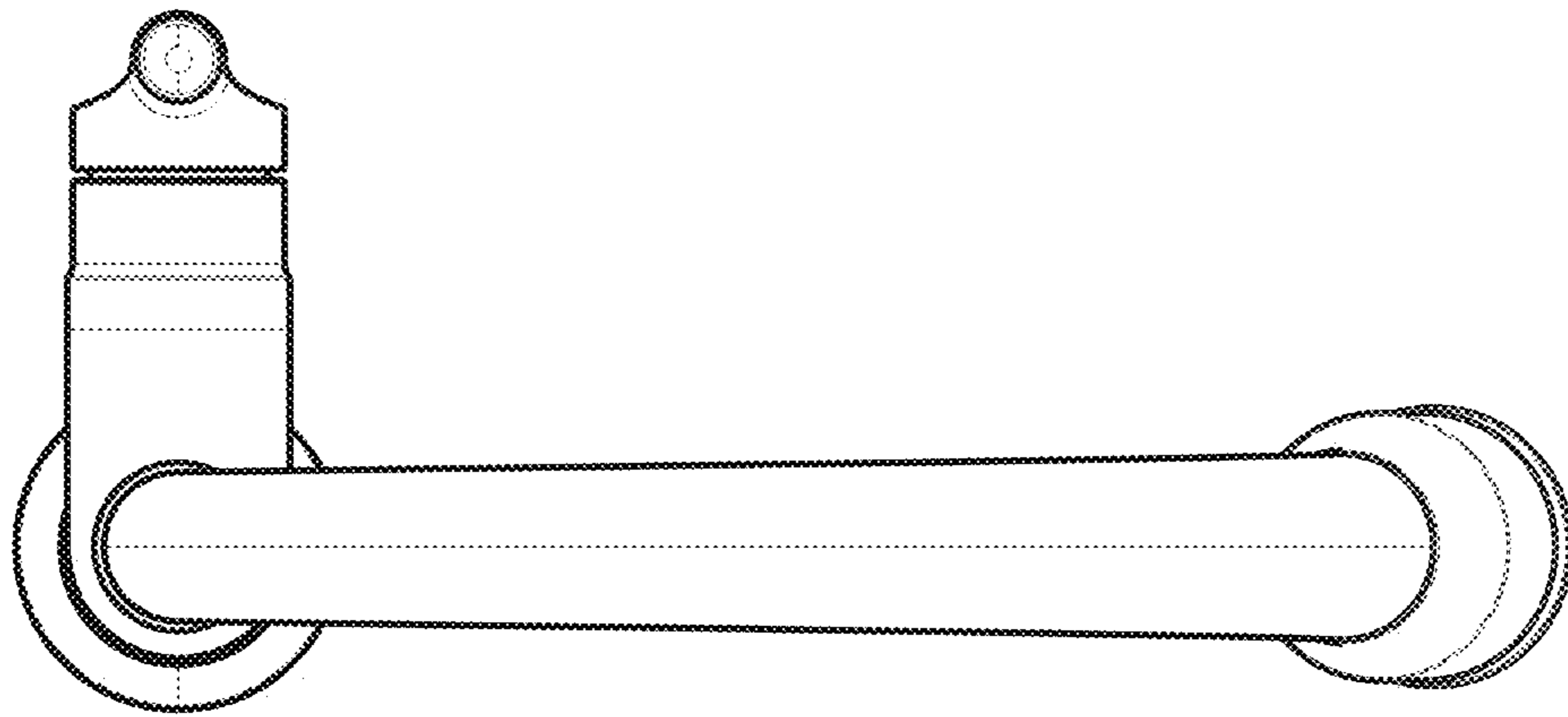


Fig. 7