



US00D871548S

(12) **United States Design Patent**  
**Tentler**

(10) **Patent No.:** **US D871,548 S**

(45) **Date of Patent:** **\*\* Dec. 31, 2019**

(54) **FAUCET**

(71) Applicant: **DELTA FAUCET COMPANY,**  
Indianapolis, IN (US)

(72) Inventor: **Anthony Joseph Tentler,** Windfall, IN  
(US)

(73) Assignee: **DELTA FAUCET COMPANY,**  
Indianapolis, IN (US)

(\*\*) Term: **15 Years**

(21) Appl. No.: **29/638,156**

(22) Filed: **Feb. 24, 2018**

(51) **LOC (12) Cl.** ..... **23-01**

(52) **U.S. Cl.**  
USPC ..... **D23/238**

(58) **Field of Classification Search**  
USPC ..... D23/238, 241-243, 255, 257, 213, 226,  
D23/252, 254, 245; D8/307-308  
CPC ..... F16K 31/60; F16K 31/602; F16K 31/605;  
F16K 31/607; E03C 1/0405; E03C  
2001/0415; E03C 1/0412; E03C 1/0409  
See application file for complete search history.

(56) **References Cited**

**U.S. PATENT DOCUMENTS**

D476,065 S \* 6/2003 Smith ..... D23/252  
D538,896 S \* 3/2007 Yang ..... D23/252

D539,874 S \* 4/2007 Sallick ..... D23/252  
D567,912 S \* 4/2008 Juratovac ..... D23/255  
D620,559 S \* 7/2010 Romero ..... D23/238  
D639,397 S \* 6/2011 Fritz ..... D23/255  
9,328,486 B2 \* 5/2016 Chong ..... E03C 1/0404  
D828,508 S \* 9/2018 Fritz ..... D23/238

\* cited by examiner

*Primary Examiner* — Robert A Delehanty

(74) *Attorney, Agent, or Firm* — Edgar A. Zarins; Nirav  
D. Parikh

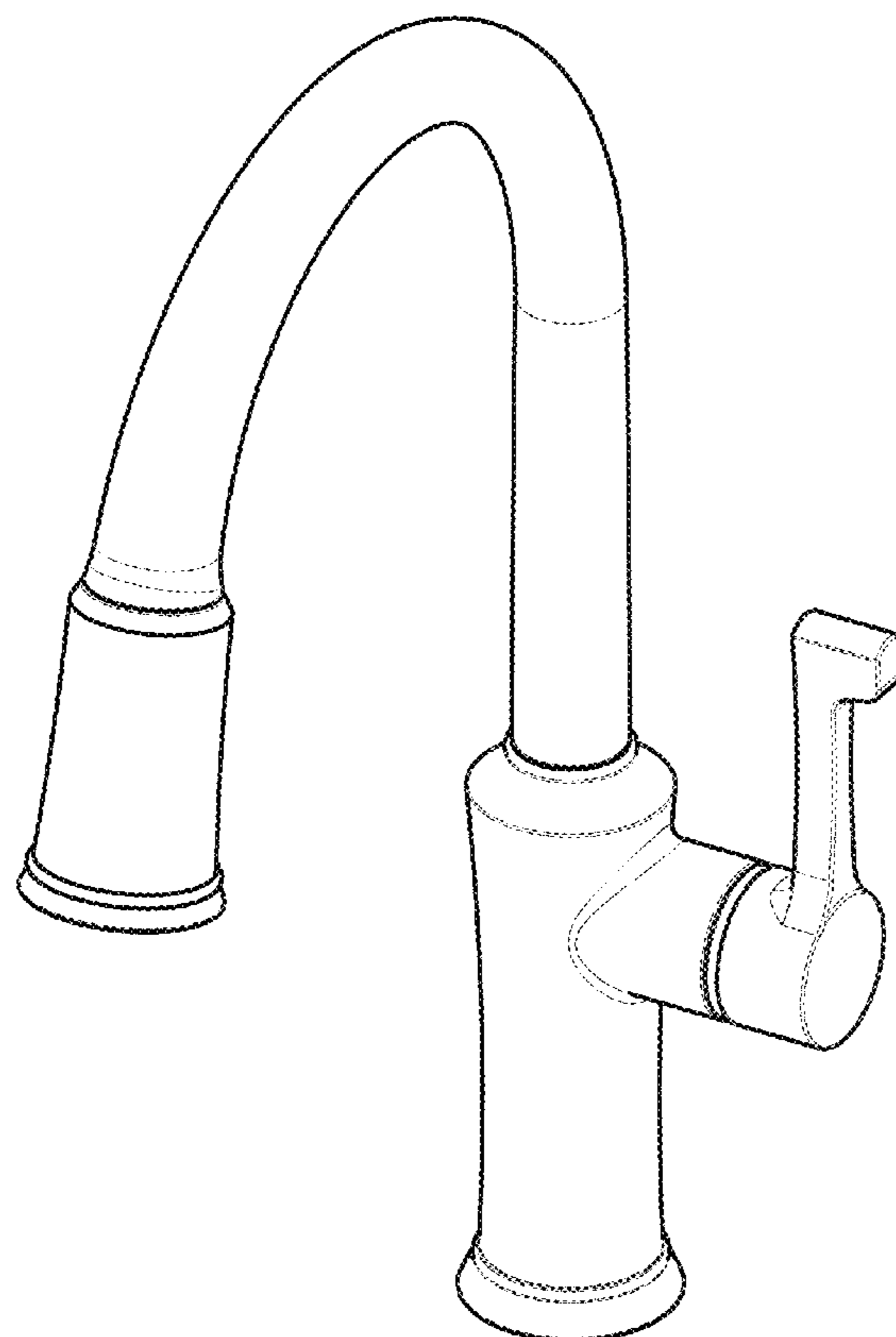
(57) **CLAIM**

The ornamental design for a faucet, as shown and described.

**DESCRIPTION**

FIG. 1 is a front perspective view of a faucet showing my  
new design;  
FIG. 2 is a rear perspective view thereof;  
FIG. 3 is a front elevational view thereof;  
FIG. 4 is a left side view thereof;  
FIG. 5 is a rear view thereof;  
FIG. 6 is a right side view thereof; and,  
FIG. 7 is a top plan view thereof.

**1 Claim, 4 Drawing Sheets**



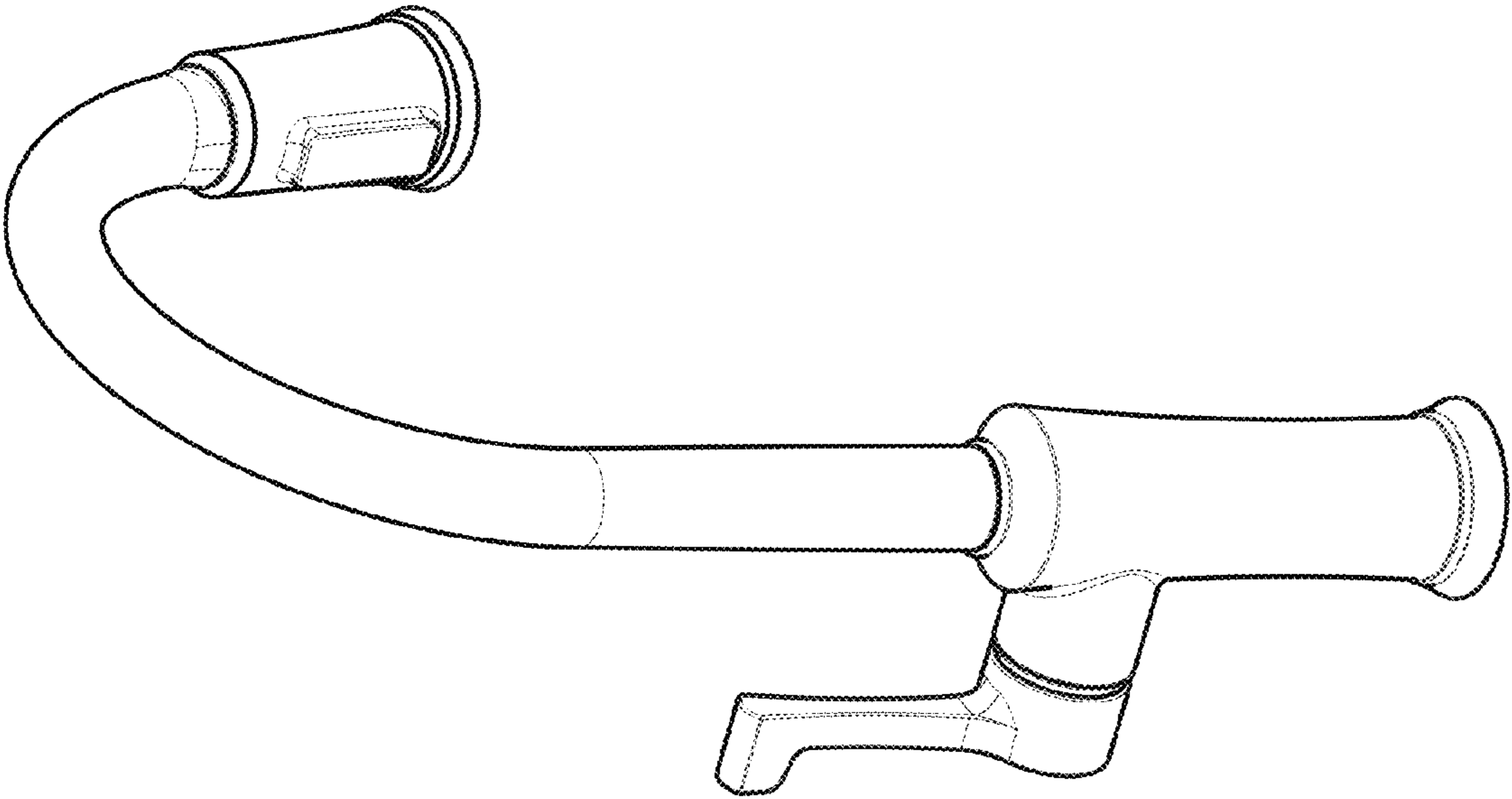


Fig. 1

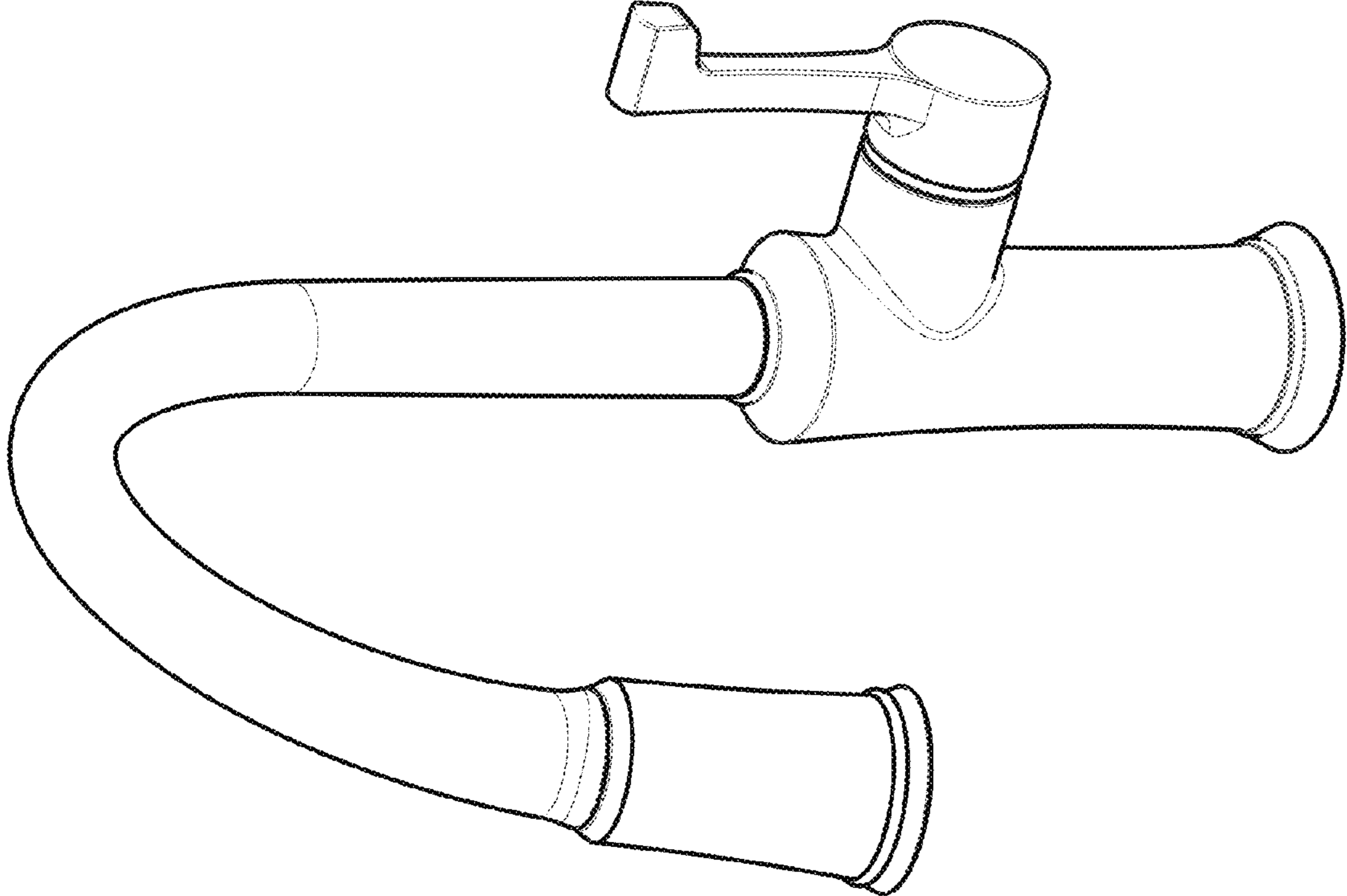


Fig. 2

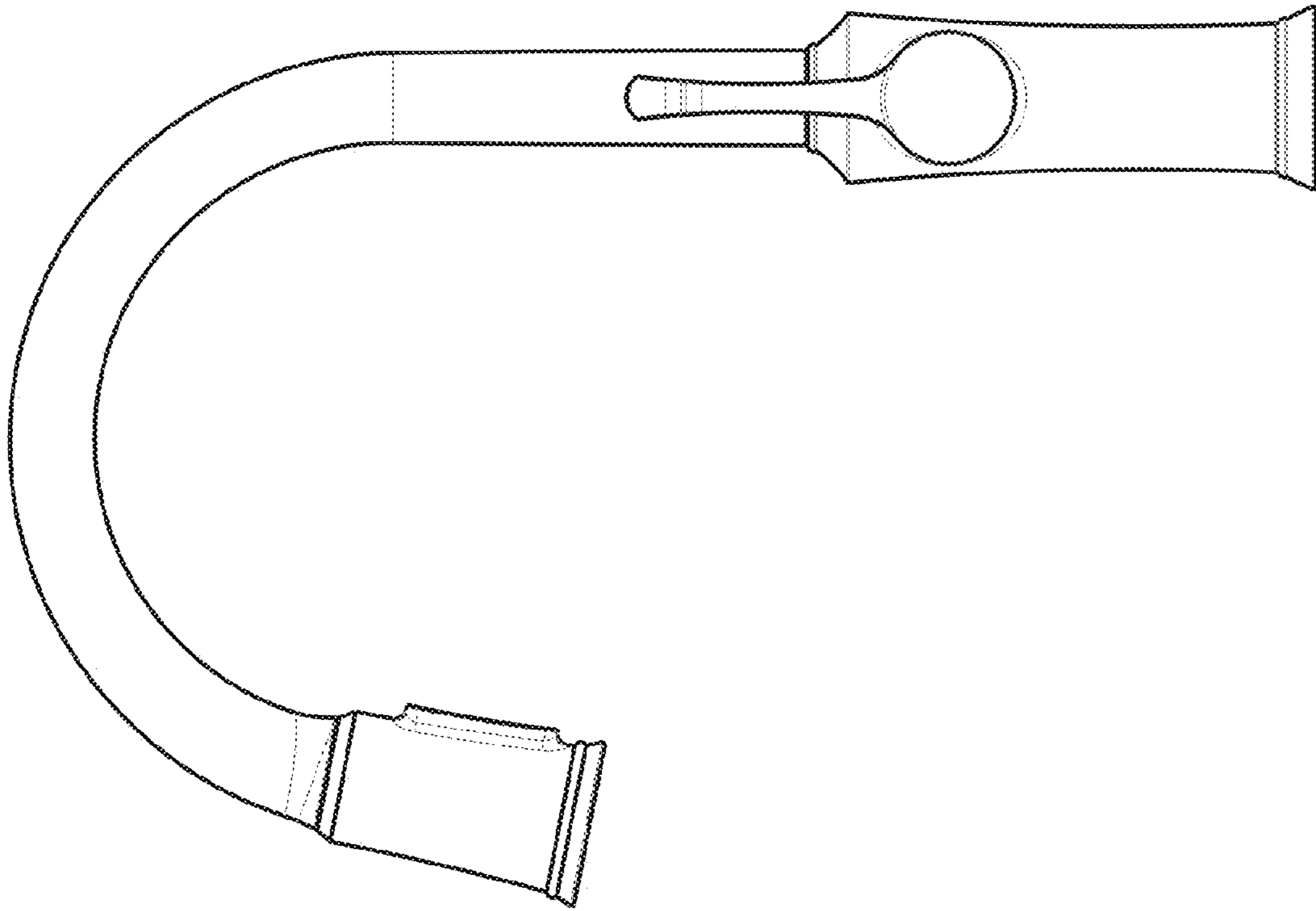


Fig. 3

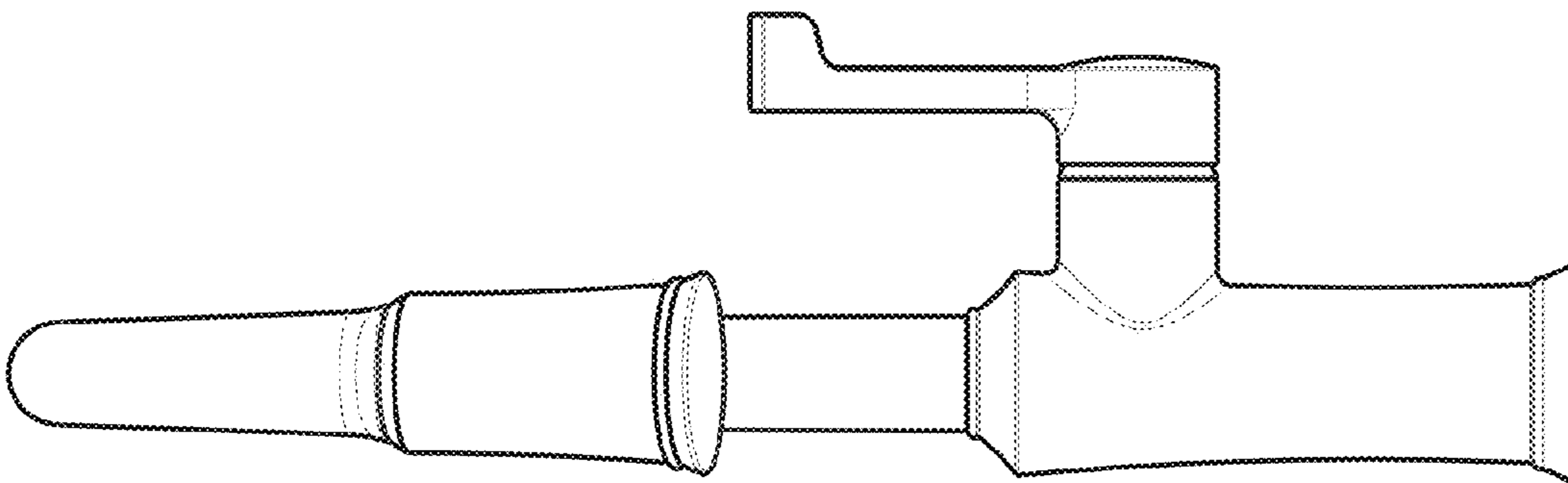


Fig. 4

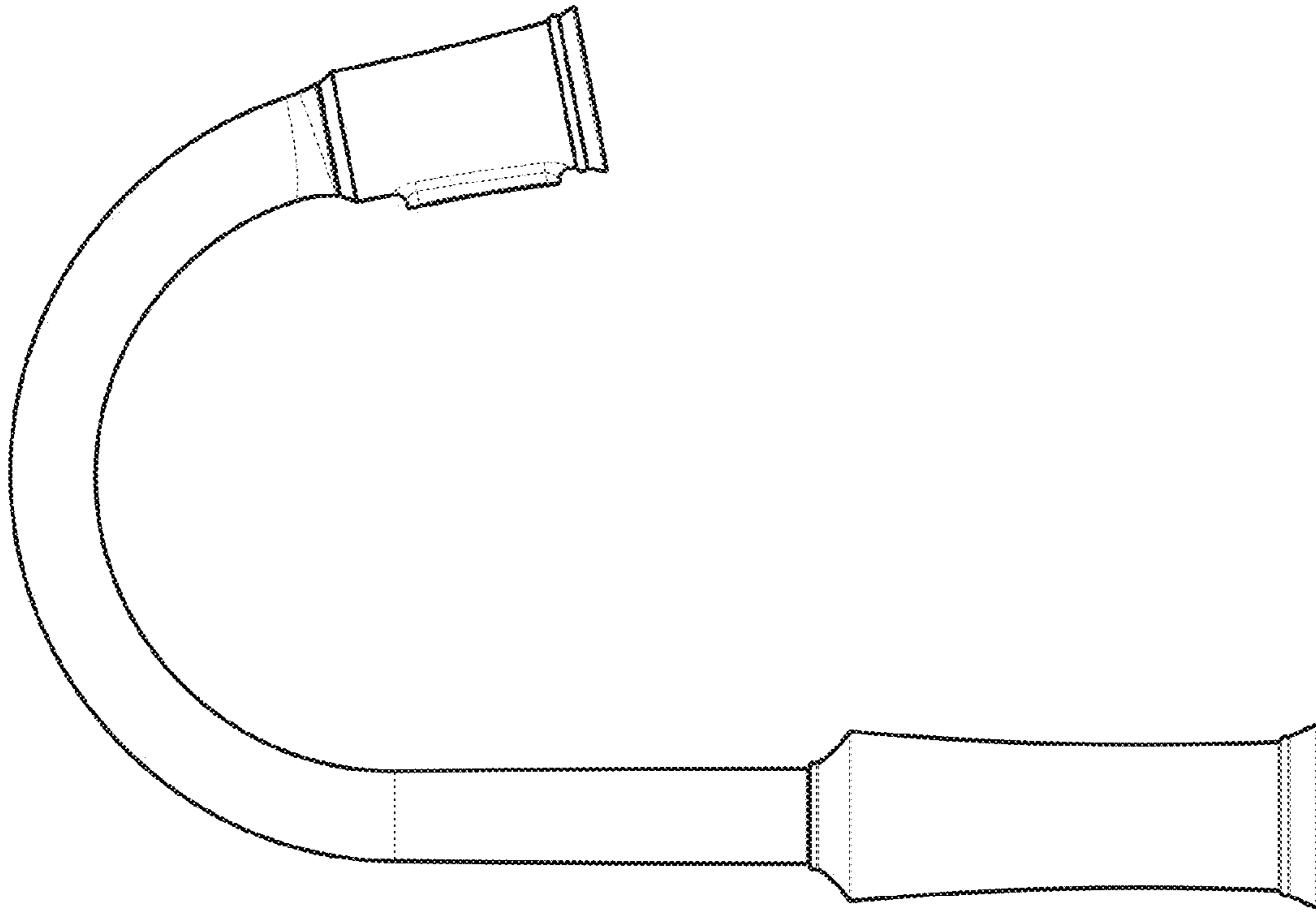


Fig. 6

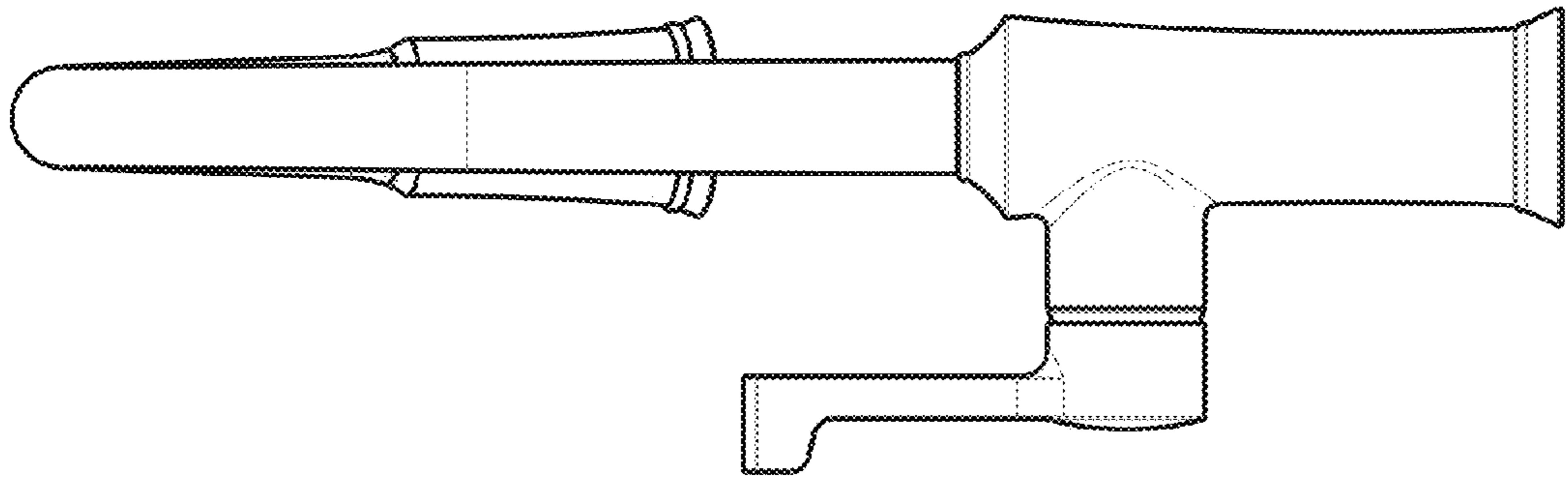


Fig. 5

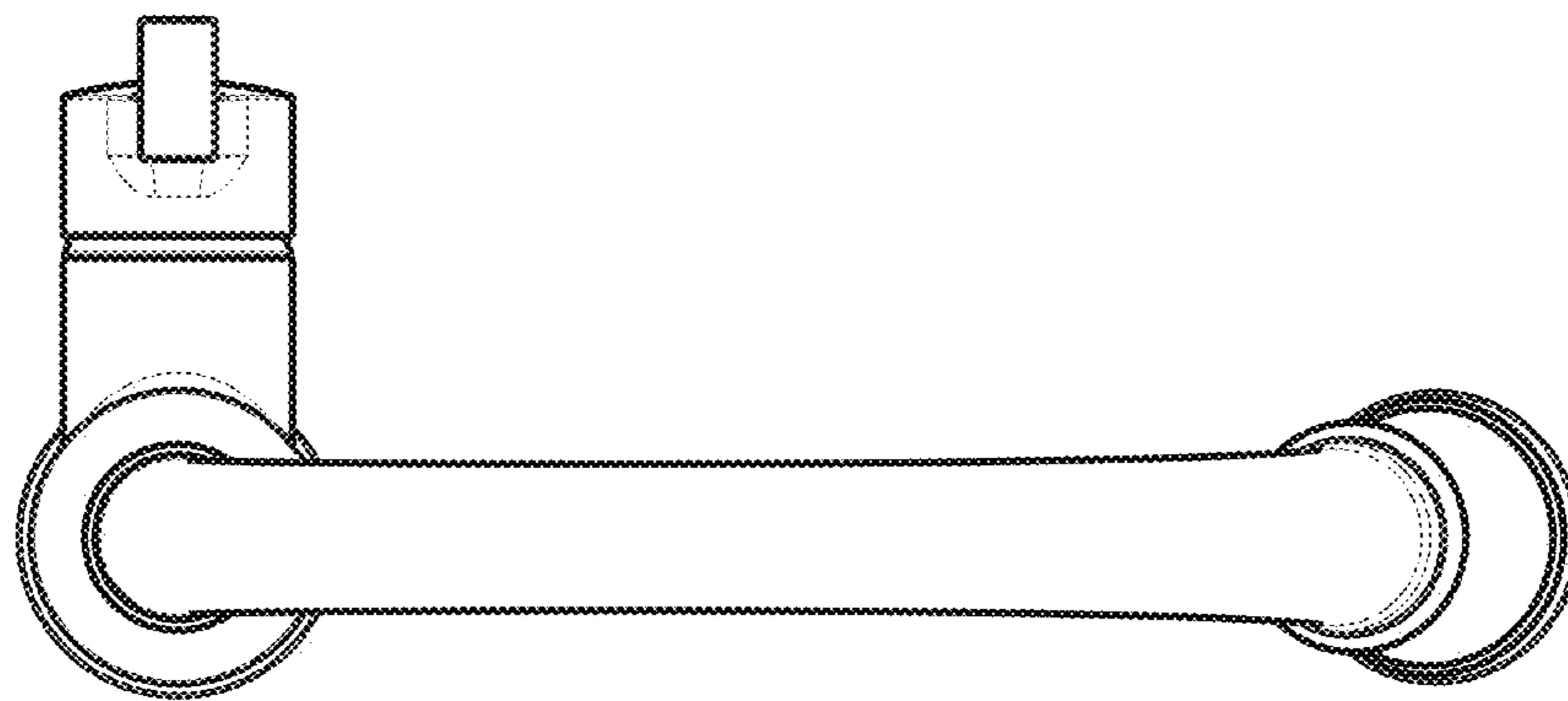


Fig. 7