



US00D871547S

(12) **United States Design Patent**
Eads

(10) **Patent No.:** **US D871,547 S**

(45) **Date of Patent:** **** Dec. 31, 2019**

(54) **FAUCET**

(71) Applicant: **DELTA FAUCET COMPANY,**
Indianapolis, IN (US)

(72) Inventor: **Thad Eads,** Urbana, IN (US)

(73) Assignee: **DELTA FAUCET COMPANY,**
Indianapolis, IN (US)

(**) Term: **15 Years**

(21) Appl. No.: **29/638,152**

(22) Filed: **Feb. 24, 2018**

(51) **LOC (12) Cl.** **23-01**

(52) **U.S. Cl.**
USPC **D23/238**

(58) **Field of Classification Search**
USPC D23/238, 241–243, 255, 257, 213, 226,
D23/252, 254, 245; D8/307–308
CPC F16K 31/60; F16K 31/602; F16K 31/605;
F16K 31/607; E03C 1/0405; E03C
2001/0415; E03C 1/0412; E03C 1/0409
See application file for complete search history.

(56) **References Cited**

U.S. PATENT DOCUMENTS

D512,767 S * 12/2005 Ouyoung D23/252
D516,675 S * 3/2006 Kakihana D23/241

D517,661 S * 3/2006 Wolf D23/252
D534,246 S * 12/2006 Chu D23/238
D674,881 S * 1/2013 Kwok D23/252
D704,310 S * 5/2014 Flowers D23/252
D706,399 S * 6/2014 Yang D23/252
D796,640 S * 9/2017 Dube D23/252
D810,884 S * 2/2018 Garland D23/252
D835,237 S * 12/2018 Ziemann D23/238
D840,509 S * 2/2019 Garland D23/238

* cited by examiner

Primary Examiner — Robert A Delehanty

(74) *Attorney, Agent, or Firm* — Edgar A. Zarins; Nirav
D. Parikh

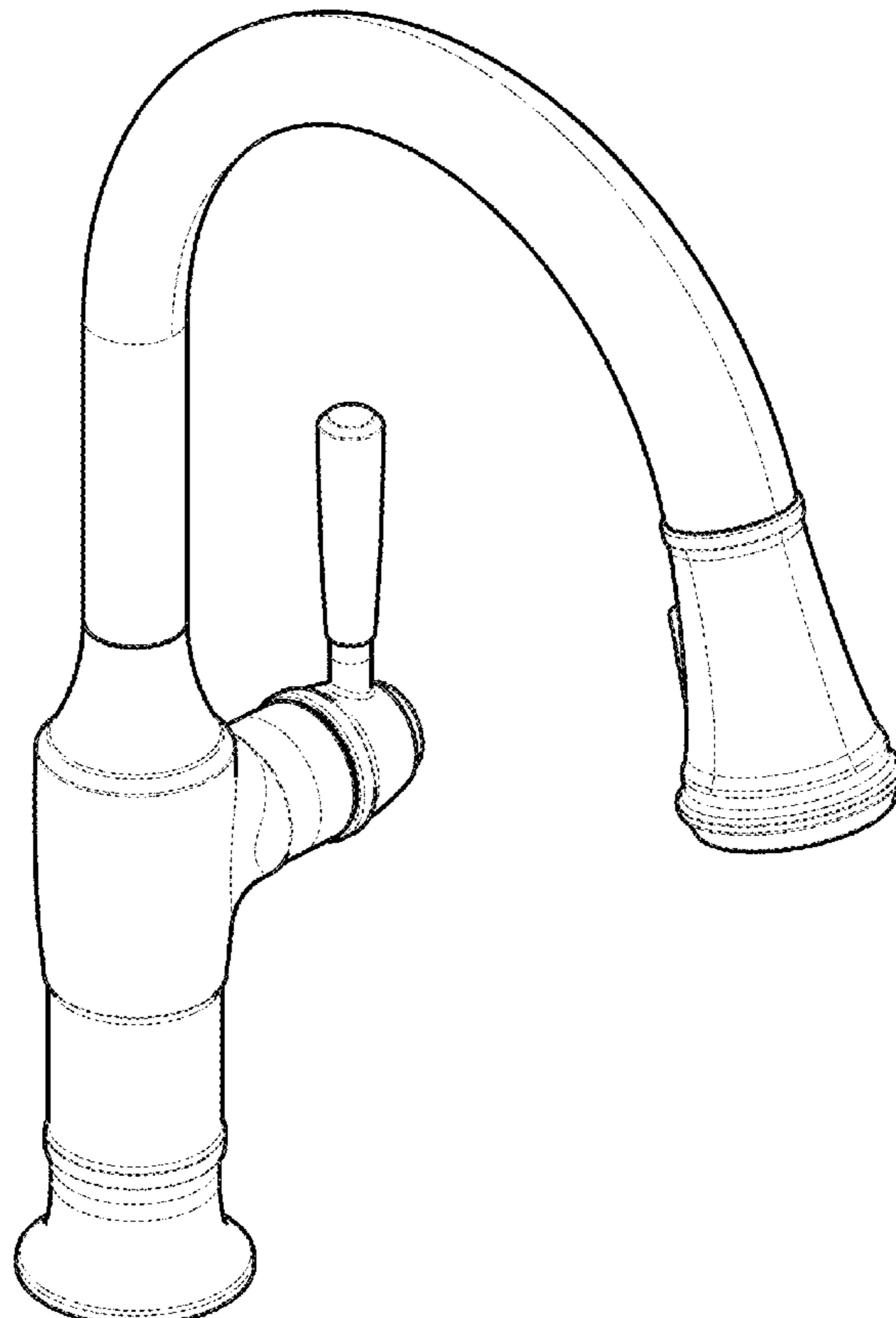
(57) **CLAIM**

The ornamental design for a faucet, as shown and described.

DESCRIPTION

FIG. 1 is a front perspective view of a faucet showing my new design;
FIG. 2 is a rear perspective view thereof;
FIG. 3 is a front elevational view thereof;
FIG. 4 is a left side view thereof;
FIG. 5 is a rear view thereof;
FIG. 6 is a right side view thereof; and,
FIG. 7 is a top plan view thereof.

1 Claim, 4 Drawing Sheets



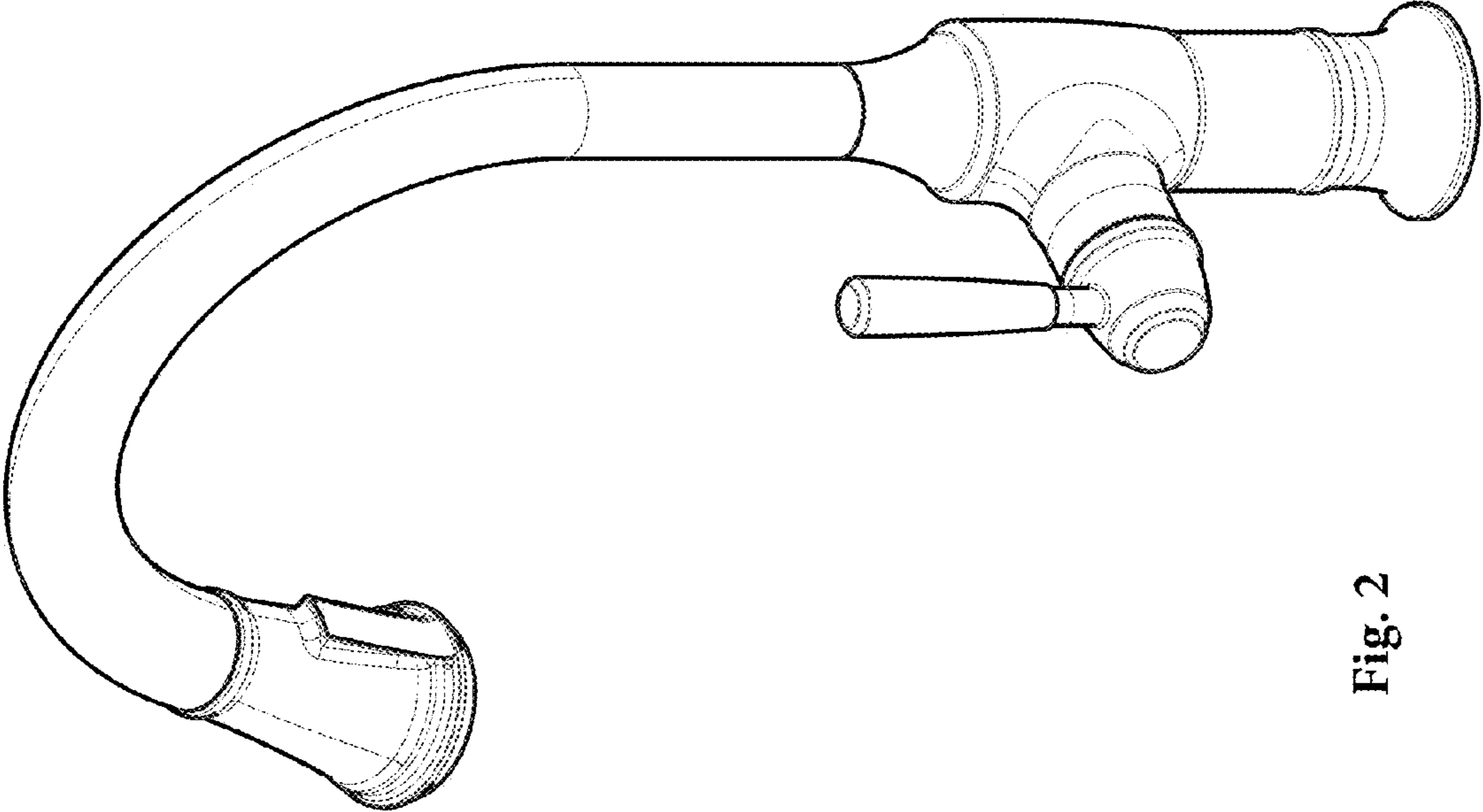


Fig. 2

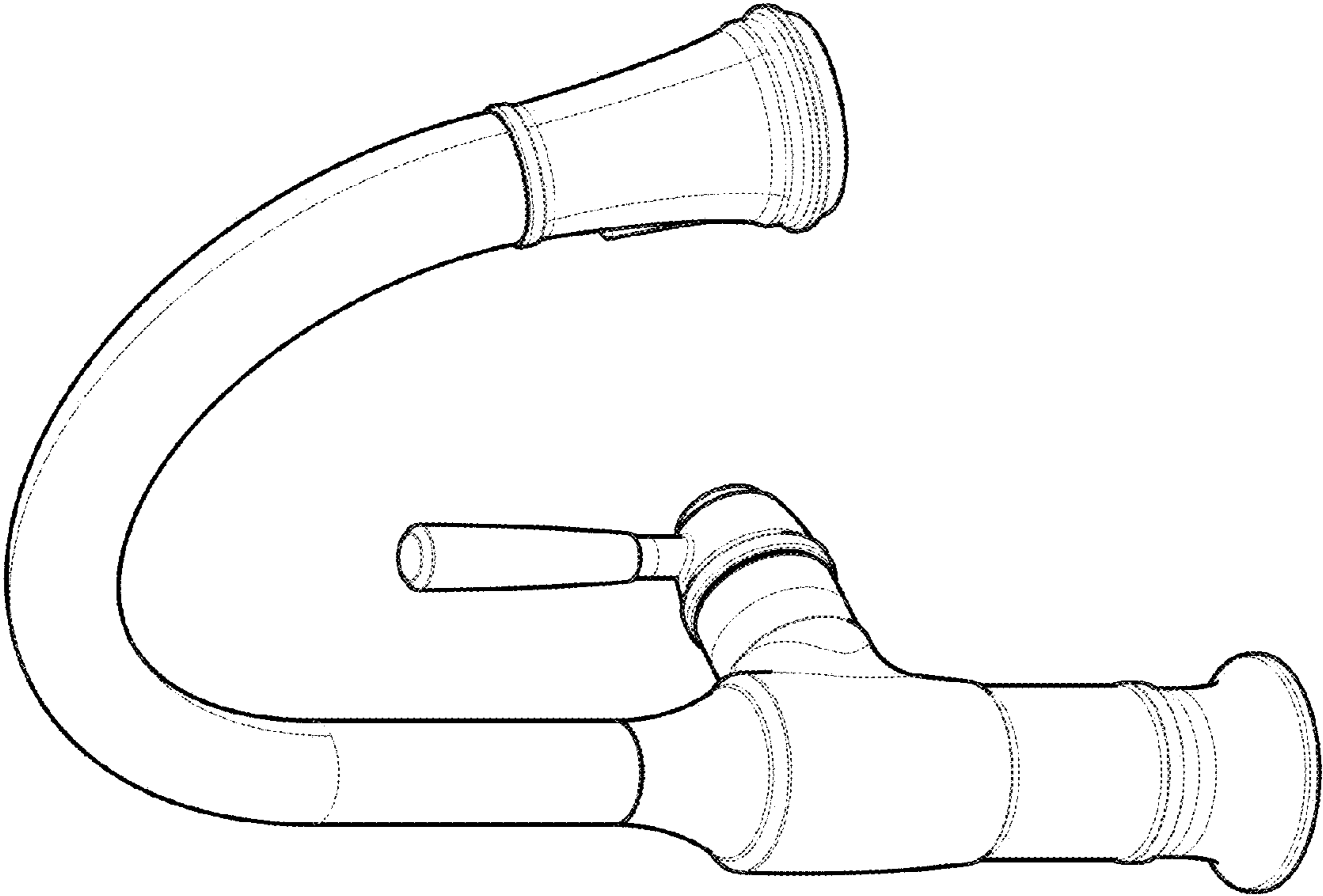


Fig. 1

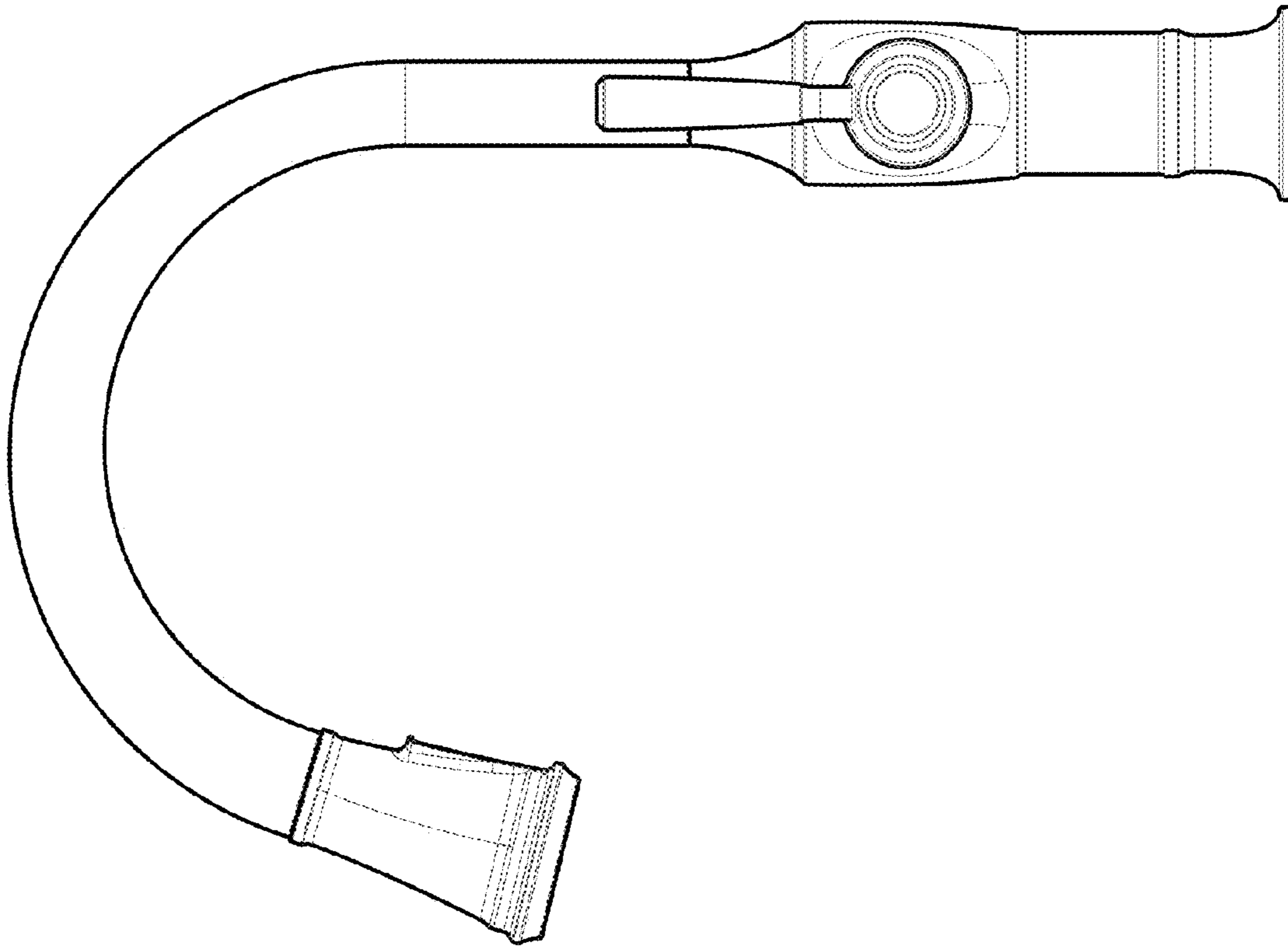


Fig. 4

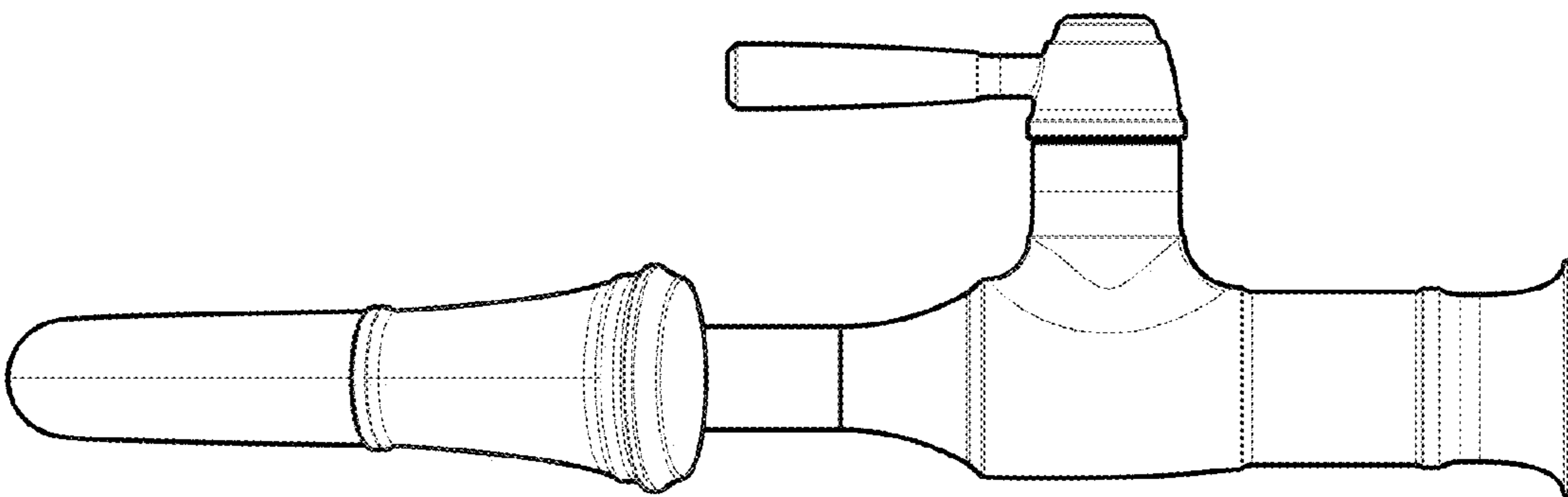


Fig. 3

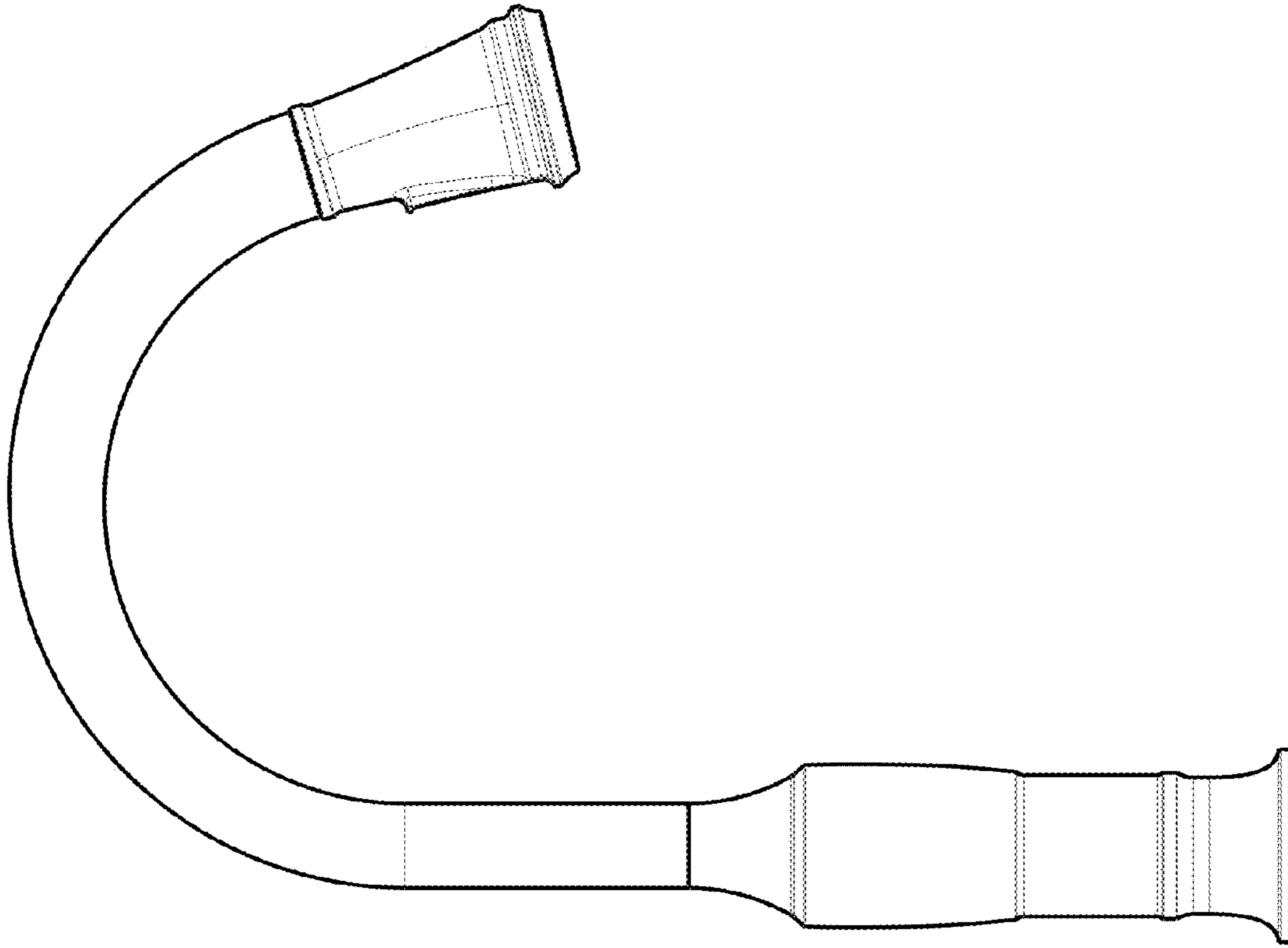


Fig. 6

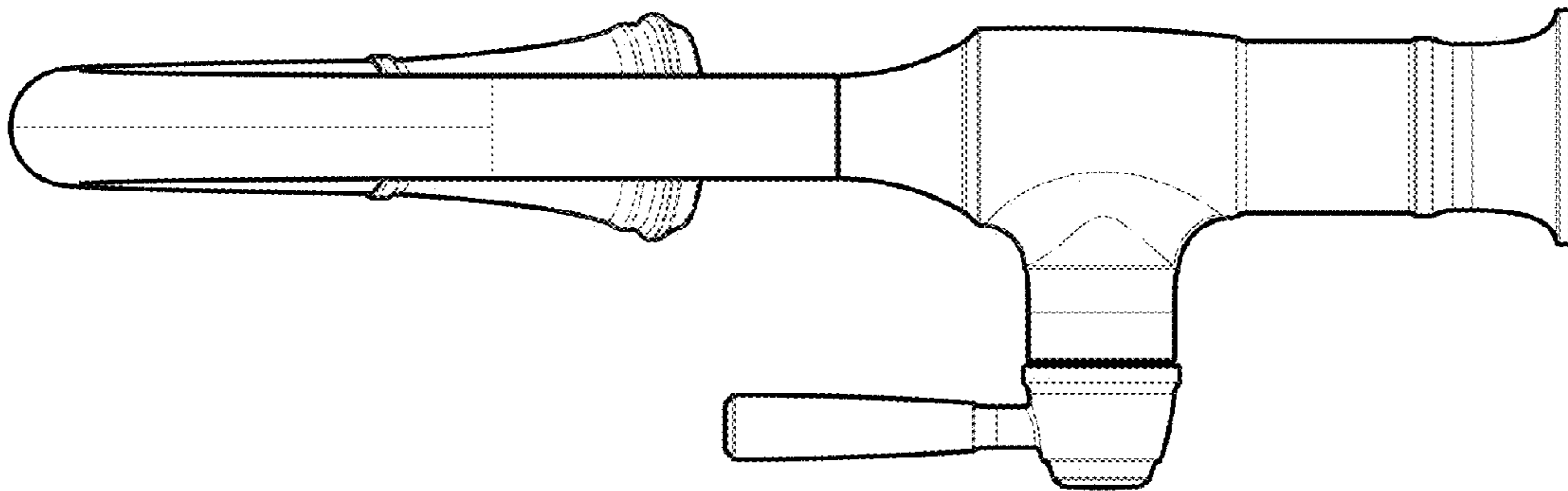


Fig. 5

Fig. 7

