



US00D871545S

(12) **United States Design Patent**
Wang

(10) **Patent No.:** **US D871,545 S**

(45) **Date of Patent:** **** Dec. 31, 2019**

(54) **OZONE FAUCET**

(71) Applicant: **GEANN INDUSTRIAL CO., LTD.**,
Lu Kang Chen, Chang Hua Hsu (TW)

(72) Inventor: **Hsiang-Shih Wang**, Changhua (TW)

(73) Assignee: **GEANN INDUSTRIAL CO., LTD.**,
Chang Hua Hsien (TW)

(**) Term: **15 Years**

(21) Appl. No.: **29/603,751**

(22) Filed: **May 11, 2017**

(51) **LOC (12) Cl.** **23-01**

(52) **U.S. Cl.**
USPC **D23/238**

(58) **Field of Classification Search**
USPC D23/238-242, 249, 250, 252, 254-255,
D23/257; D8/350, 353
CPC Y10T 137/9464
See application file for complete search history.

(56) **References Cited**

U.S. PATENT DOCUMENTS

D535,724 S *	1/2007	Zhou	D23/238
D665,052 S *	8/2012	Wang	D23/238
D802,722 S *	11/2017	Flowers	D23/252

* cited by examiner

Primary Examiner — Robert A Delehanty

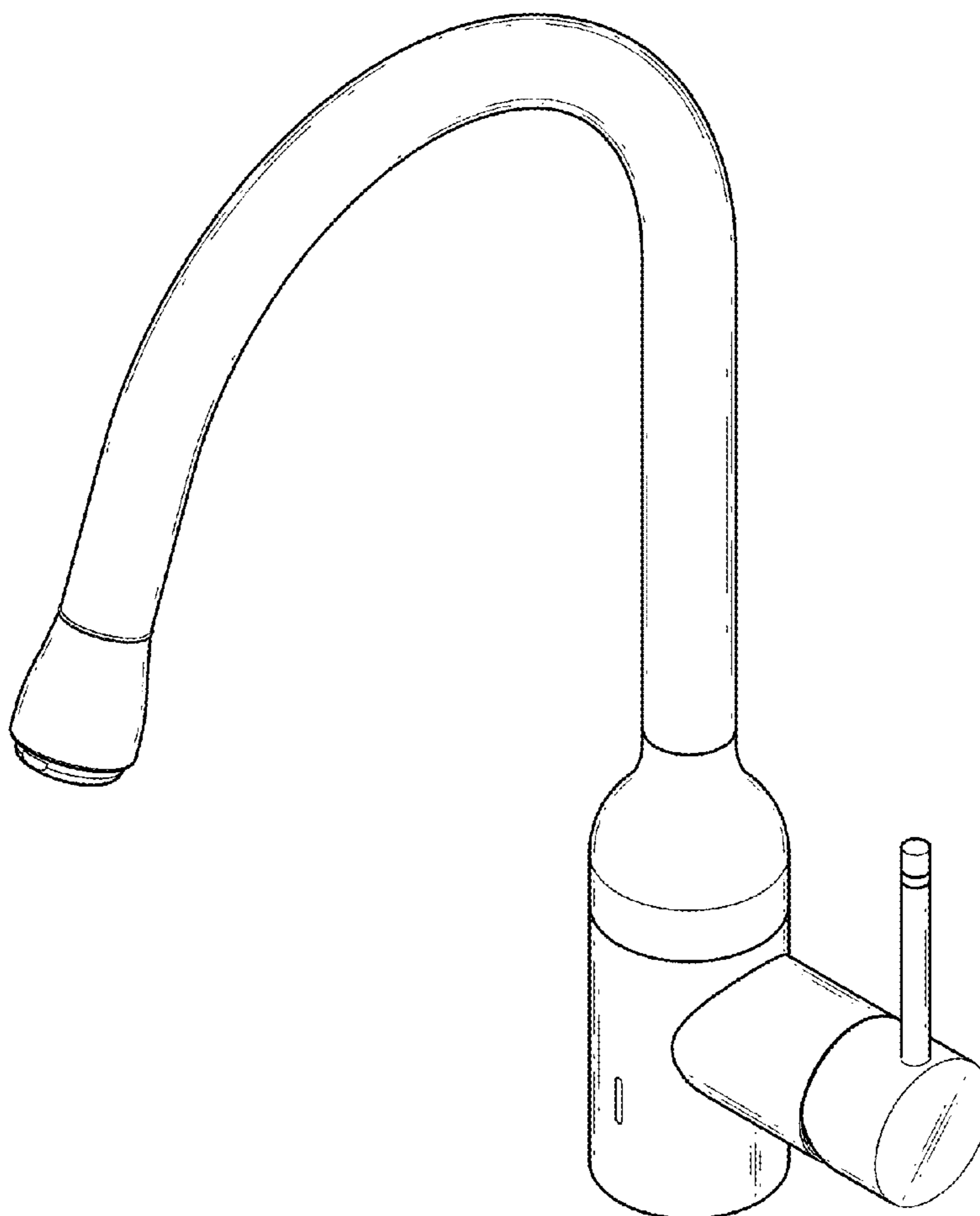
(57) **CLAIM**

The ornamental design for an ozone faucet, as shown and described.

DESCRIPTION

FIG. 1 is a perspective view of an ozone faucet showing my new design;
FIG. 2 is a front elevational view thereof;
FIG. 3 is a rear elevational view thereof;
FIG. 4 is a left side elevational view thereof;
FIG. 5 is a right side elevational view thereof;
FIG. 6 is a top plan view thereof; and,
FIG. 7 is a bottom plan view thereof.

1 Claim, 5 Drawing Sheets



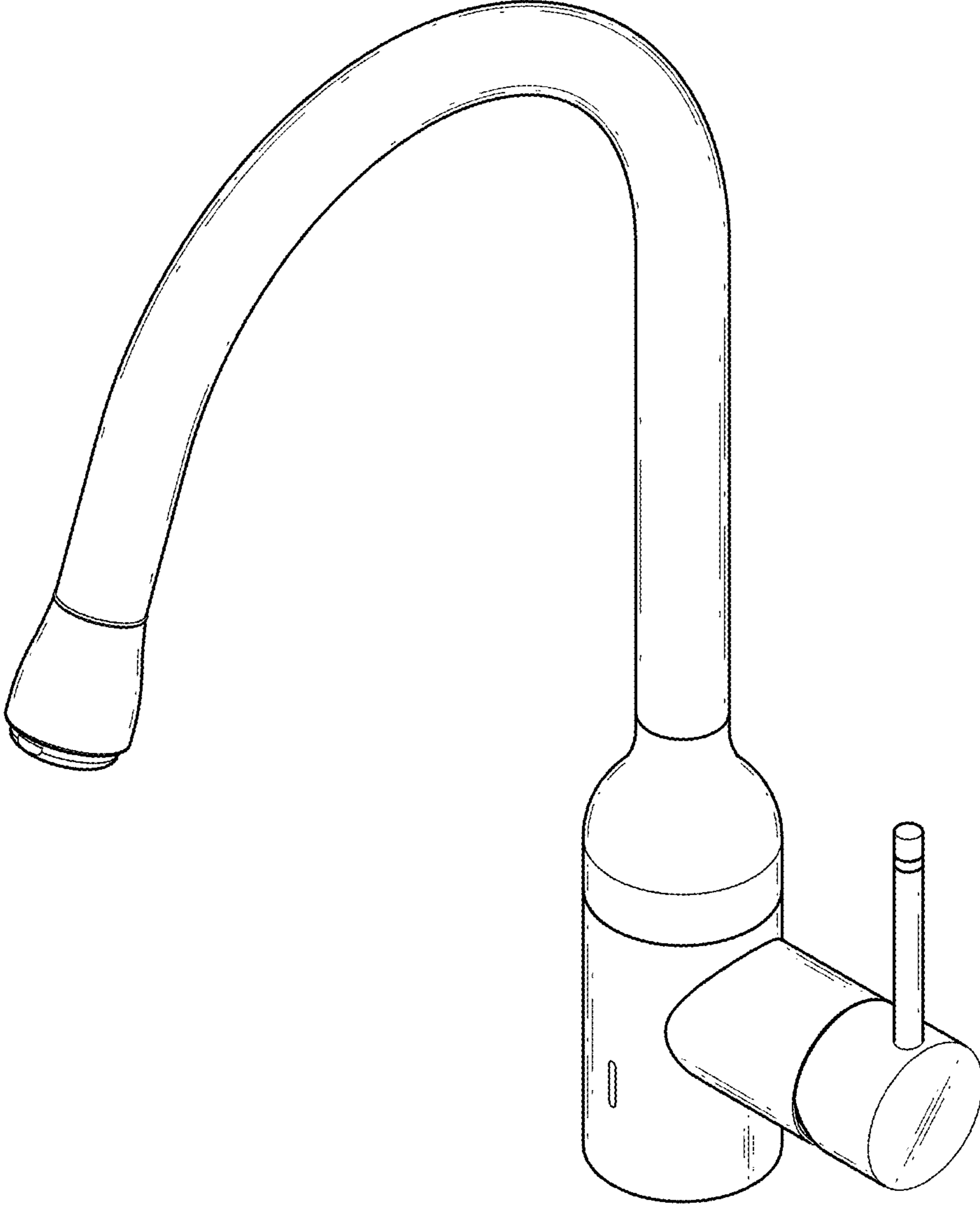


FIG. 1

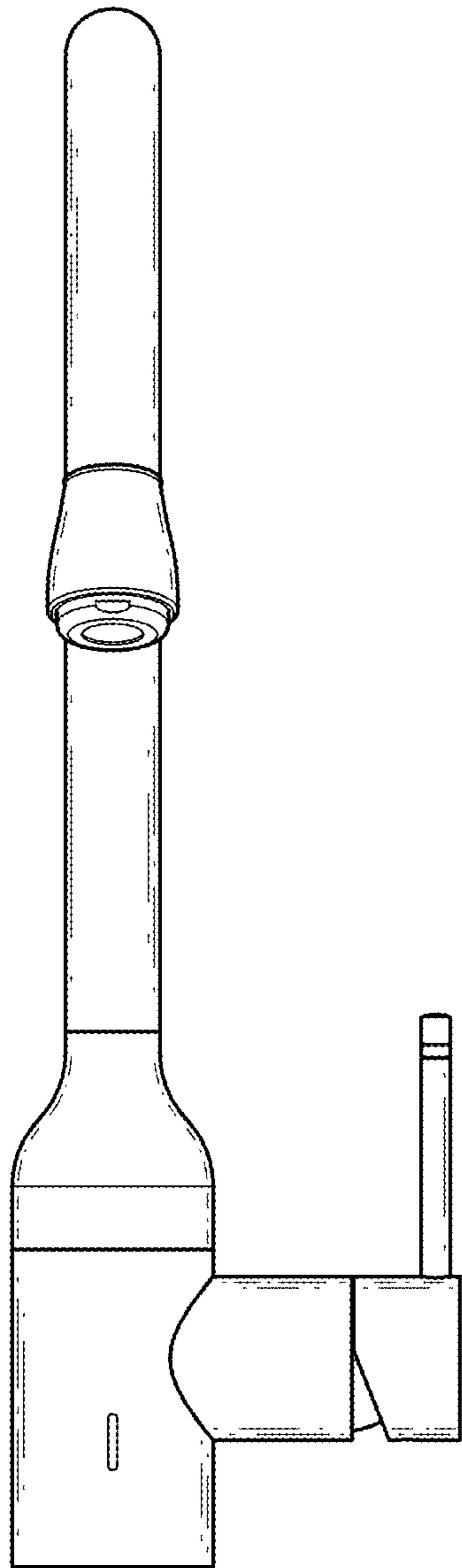


FIG. 2

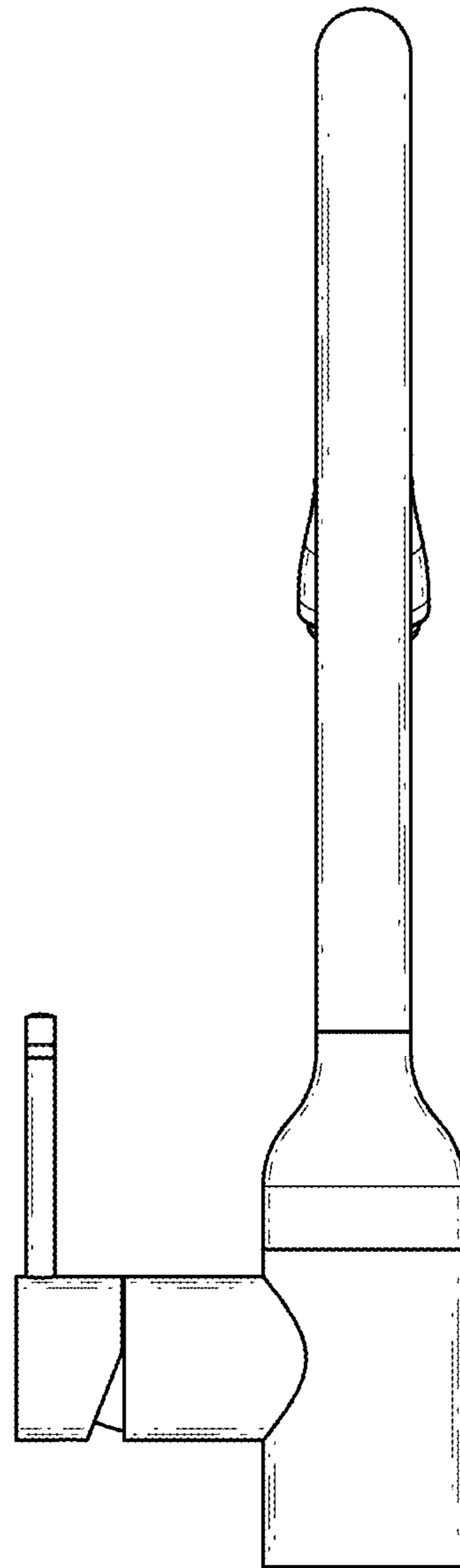


FIG. 3

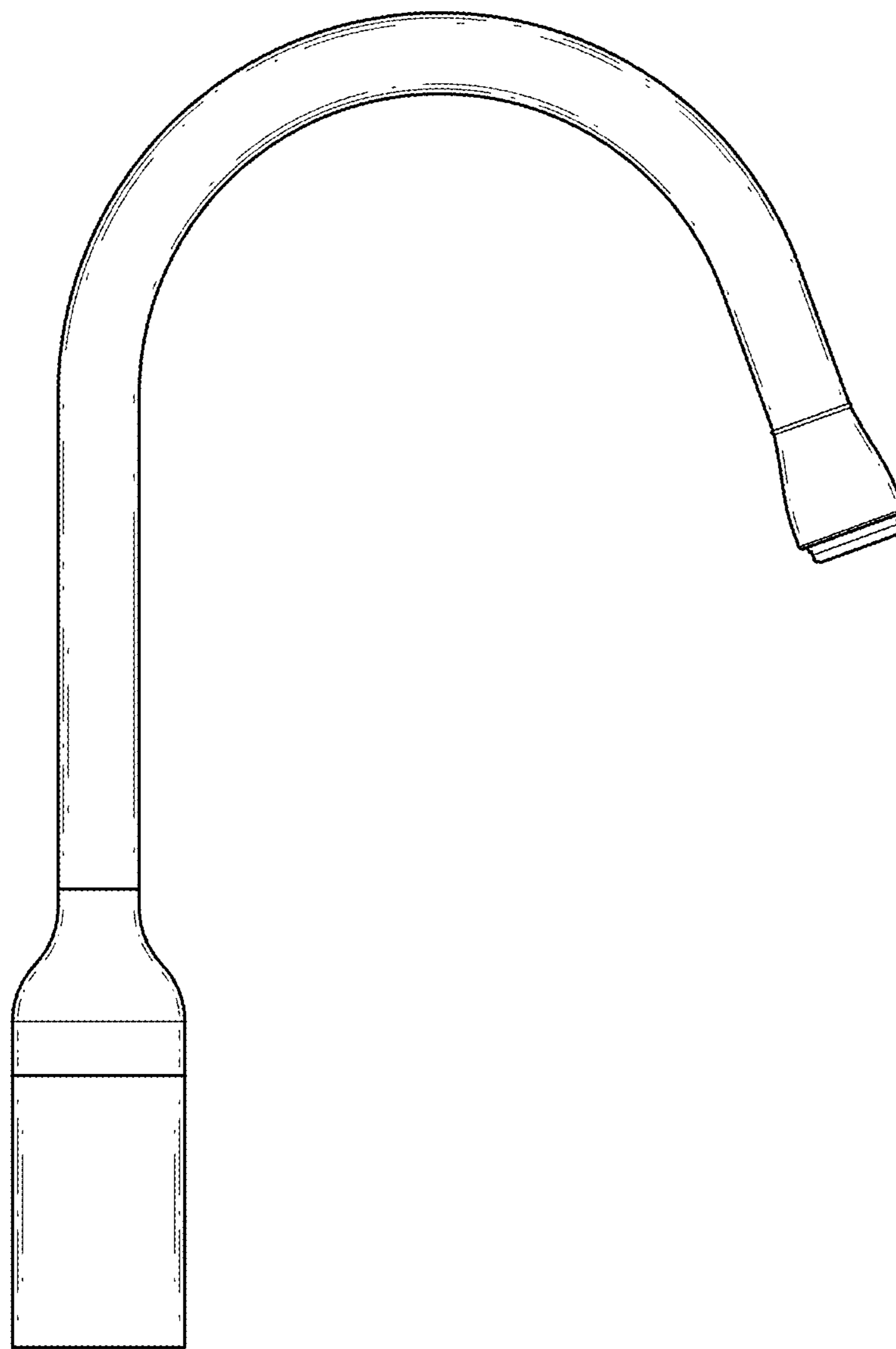


FIG. 4

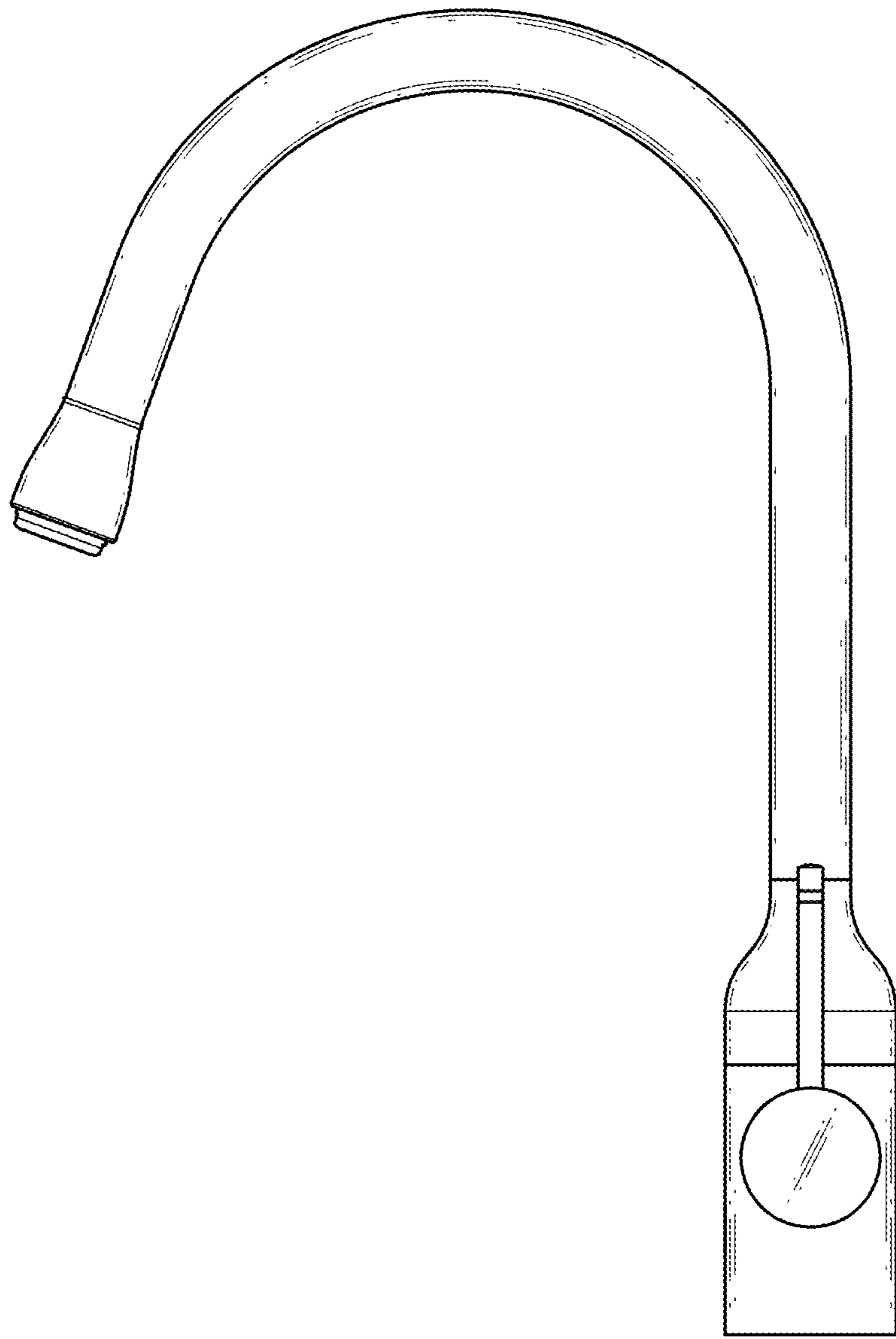


FIG. 5

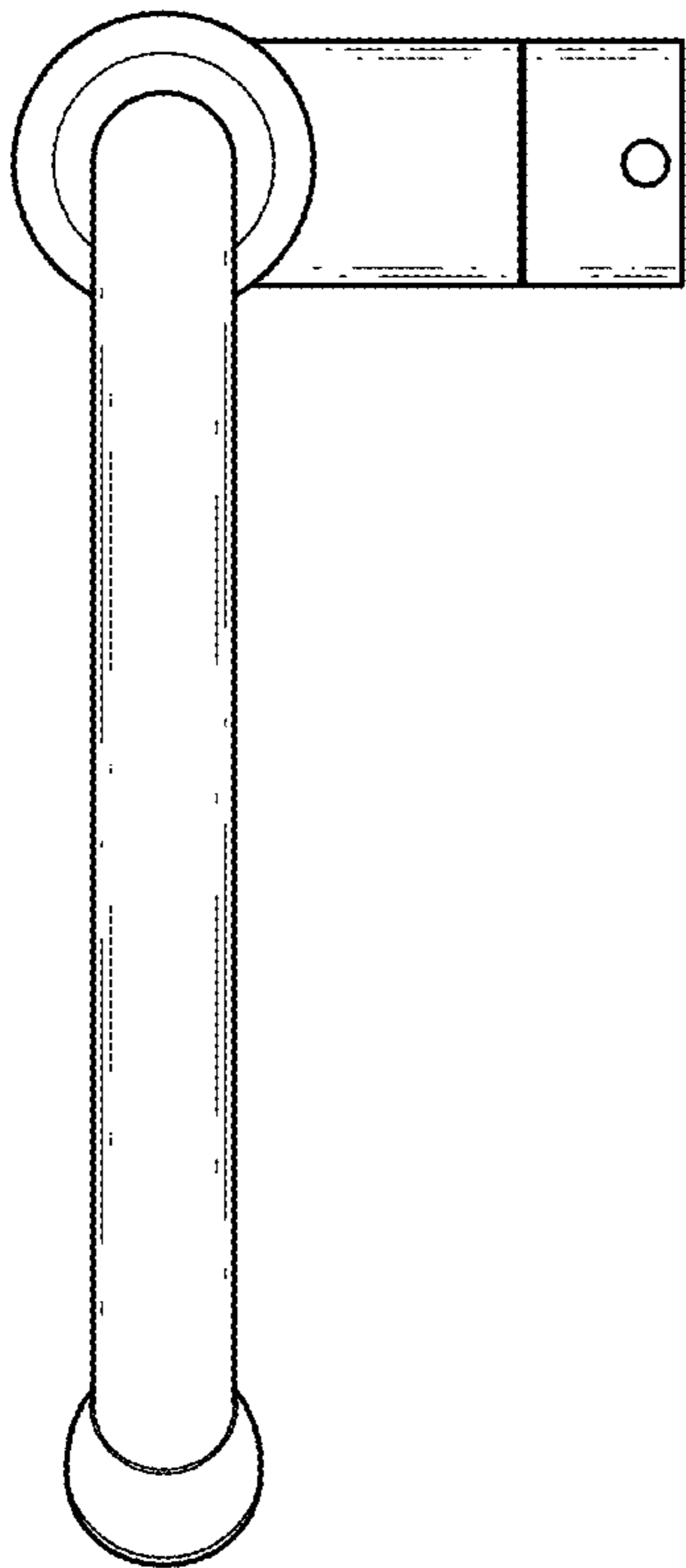


FIG. 6

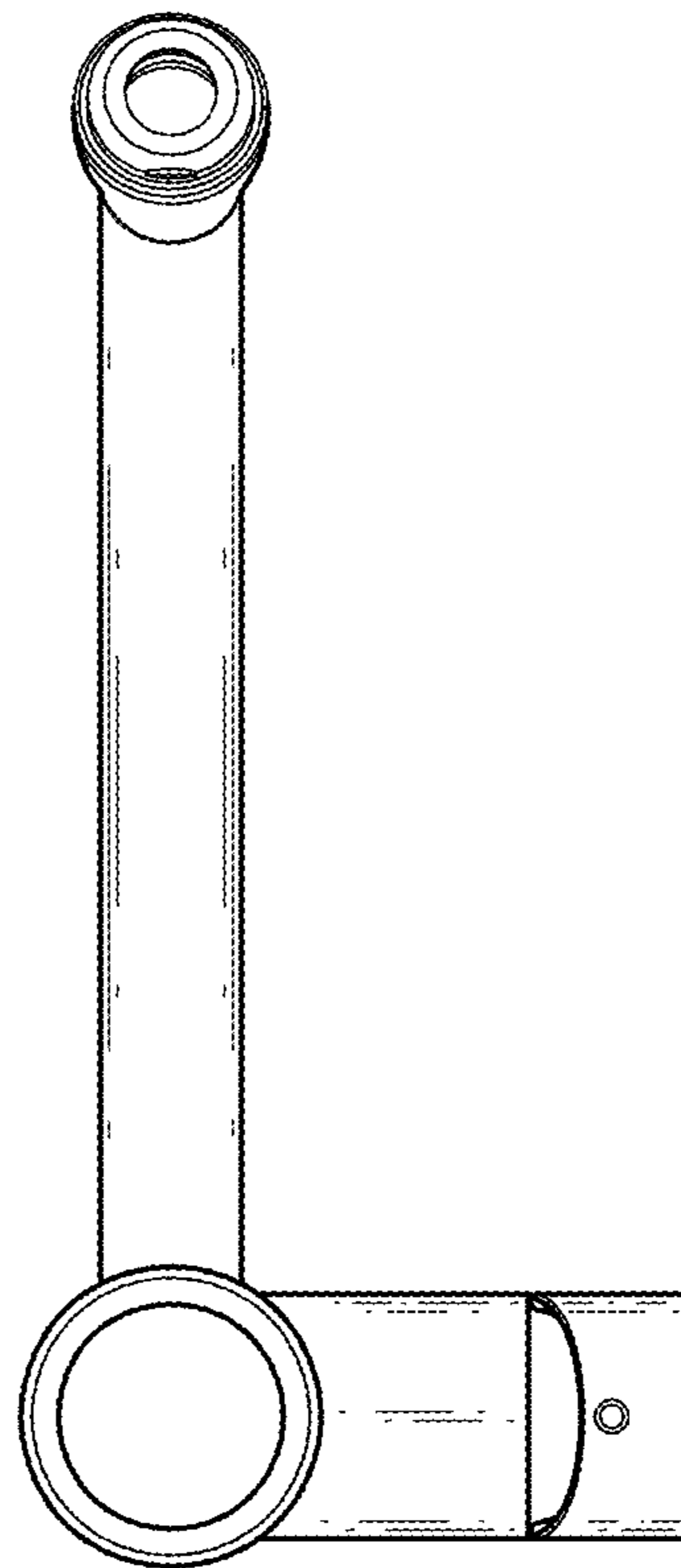


FIG. 7