

US00D871544S

(12) **United States Design Patent** (10) **Patent No.:** **US D871,544 S**
Sisk et al. (45) **Date of Patent:** **** Dec. 31, 2019**

(54) **CHECK VALVE**
(71) Applicant: **Emerson Electric Co.**, St. Louis, MO (US)
(72) Inventors: **Gregory E. Sisk**, Bonne Terre, MO (US); **Terry F. Farace**, St. Louis, MO (US)
(73) Assignee: **Emerson Electric Co.**, St. Louis, MO (US)
(**) Term: **15 Years**
(21) Appl. No.: **29/691,933**
(22) Filed: **May 21, 2019**

4,446,886 A 5/1984 Taylor et al.
4,893,650 A 1/1990 Chisholm et al.
4,930,553 A 6/1990 Grillo
5,129,423 A 7/1992 Fournier et al.
D354,335 S 1/1995 Siposs
5,785,083 A 7/1998 Tang
7,225,831 B2 6/2007 Hope et al.
D602,564 S 10/2009 Nimberger
D623,723 S * 9/2010 Nimberger D23/237
D624,157 S 9/2010 Nimberger
7,806,142 B2 10/2010 Baros et al.
D707,795 S 6/2014 Huang
D708,708 S 7/2014 Harvell
D745,638 S * 12/2015 Hickman D23/233
D757,218 S 5/2016 Murphey et al.
9,353,742 B2 * 5/2016 Herman F04B 53/1002
D776,791 S 1/2017 Iton
9,611,980 B2 * 4/2017 Herman F16N 23/00
9,664,296 B2 * 5/2017 Roys F16K 15/044
D823,992 S 7/2018 Passino, Jr. et al.

(Continued)

Related U.S. Application Data

(62) Division of application No. 29/599,015, filed on Mar. 30, 2017.
(51) **LOC (12) Cl.** **23-01**
(52) **U.S. Cl.**
USPC **D23/237**
(58) **Field of Classification Search**
USPC D23/233-237, 241-250; 137/844, 853, 137/883, 843, 356, 15.18, 15.19, 218, 137/512.4, 512.5
CPC F16K 27/0209; F16K 15/00; F16K 15/186; F16K 15/028; F16K 15/04; F16K 15/042; F16N 23/00; F04B 53/1002; F04D 29/063
See application file for complete search history.

Primary Examiner — Gino Colan

(74) *Attorney, Agent, or Firm* — Armstrong Teasdale LLP

(57) **CLAIM**

We claim the ornamental design for a check valve, as shown and described.

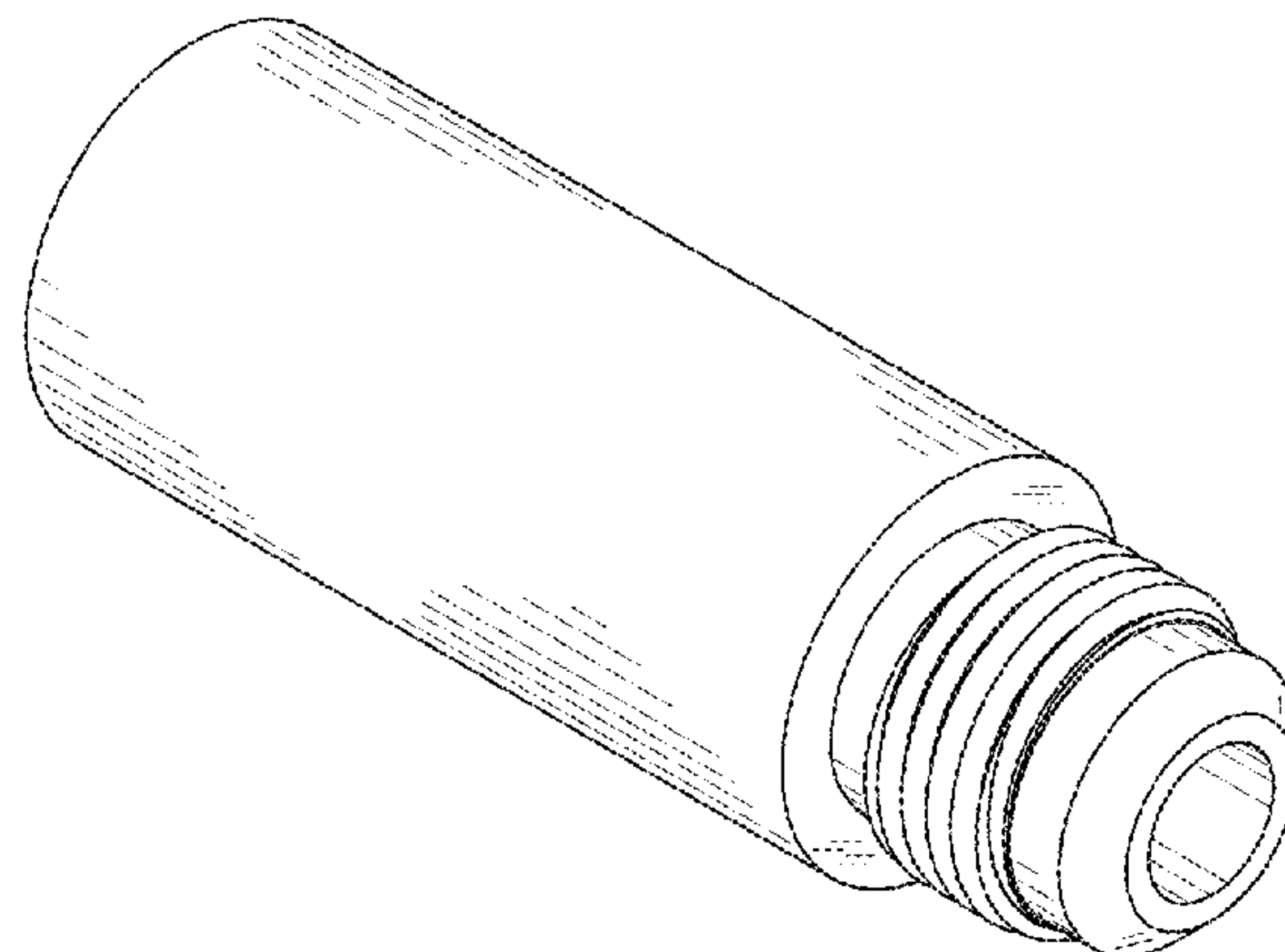
DESCRIPTION

FIG. 1 is a perspective view of a check valve showing our new design;
FIG. 2 is a front view thereof;
FIG. 3 is a rear view thereof;
FIG. 4 is a right side view thereof;
FIG. 5 is a left side view thereof;
FIG. 6 is a top view thereof; and,
FIG. 7 is a bottom view thereof.
The broken lines shown in the figures are for the purpose of illustrating portions of the check valve which form no part of the claimed design.

(56) **References Cited**
U.S. PATENT DOCUMENTS

3,626,977 A 12/1971 Riley et al.
3,913,615 A 10/1975 Cooper
4,049,017 A 9/1977 Jones
D260,280 S * 8/1981 Campbell D23/237

1 Claim, 7 Drawing Sheets



(56)

References Cited

U.S. PATENT DOCUMENTS

2013/0213504 A1 8/2013 Yabuuchi
2016/0097486 A1 4/2016 Herman et al.

* cited by examiner

FIG. 1

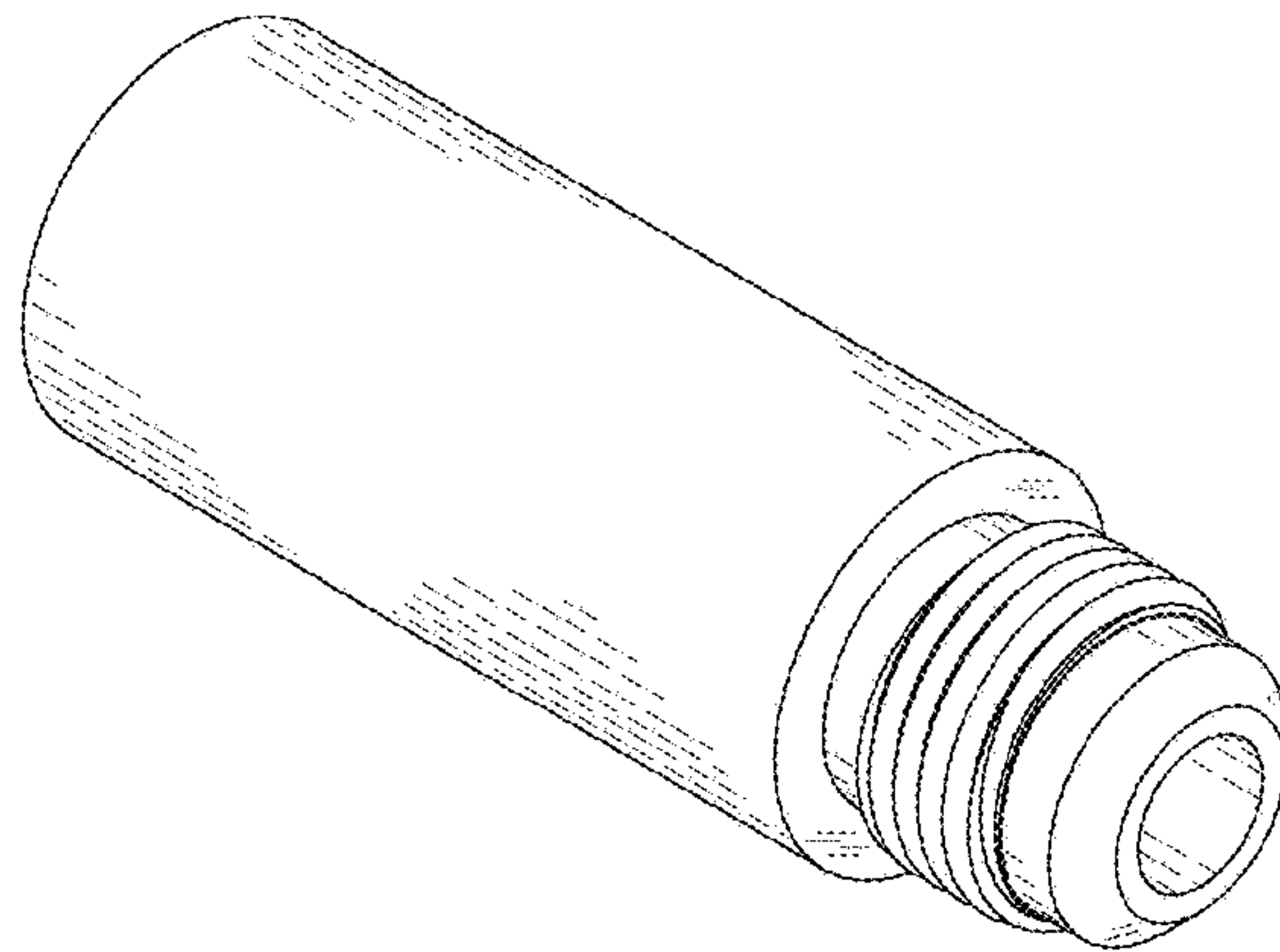


FIG. 2

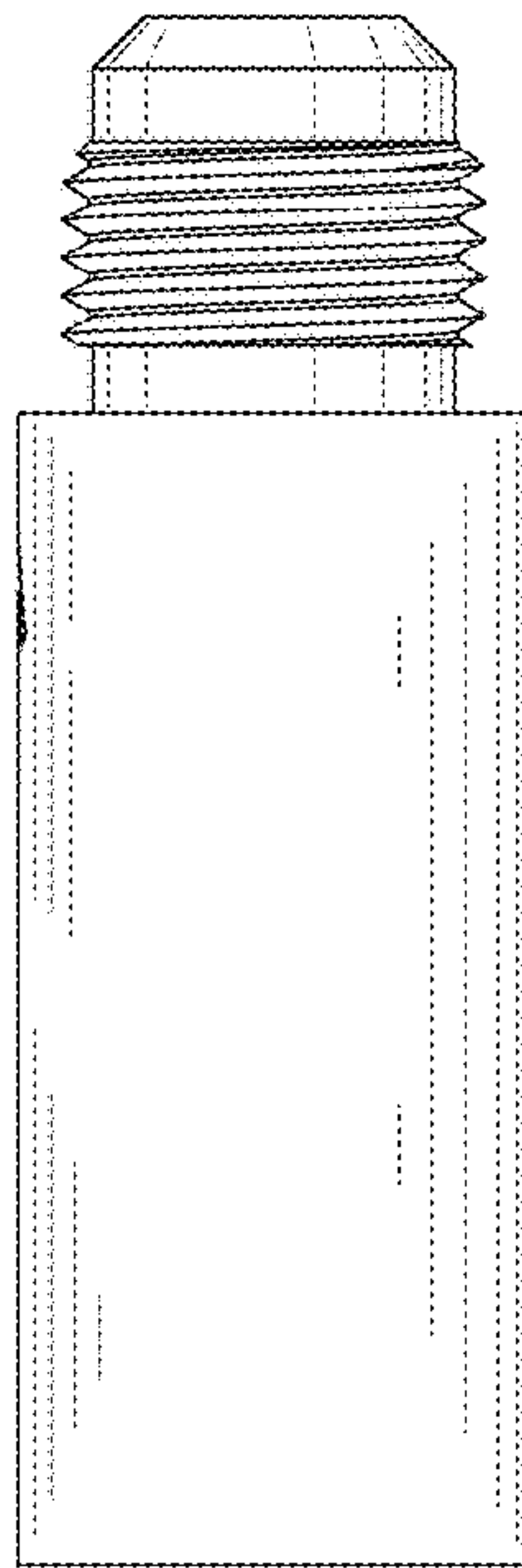


FIG. 3

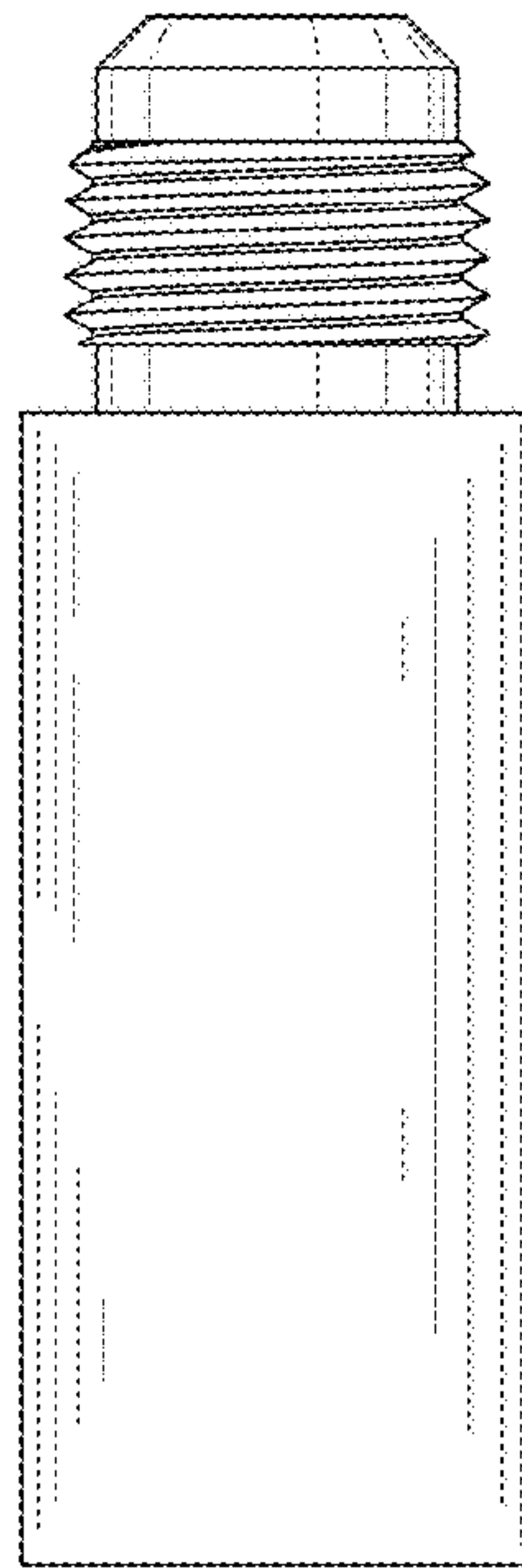


FIG. 4

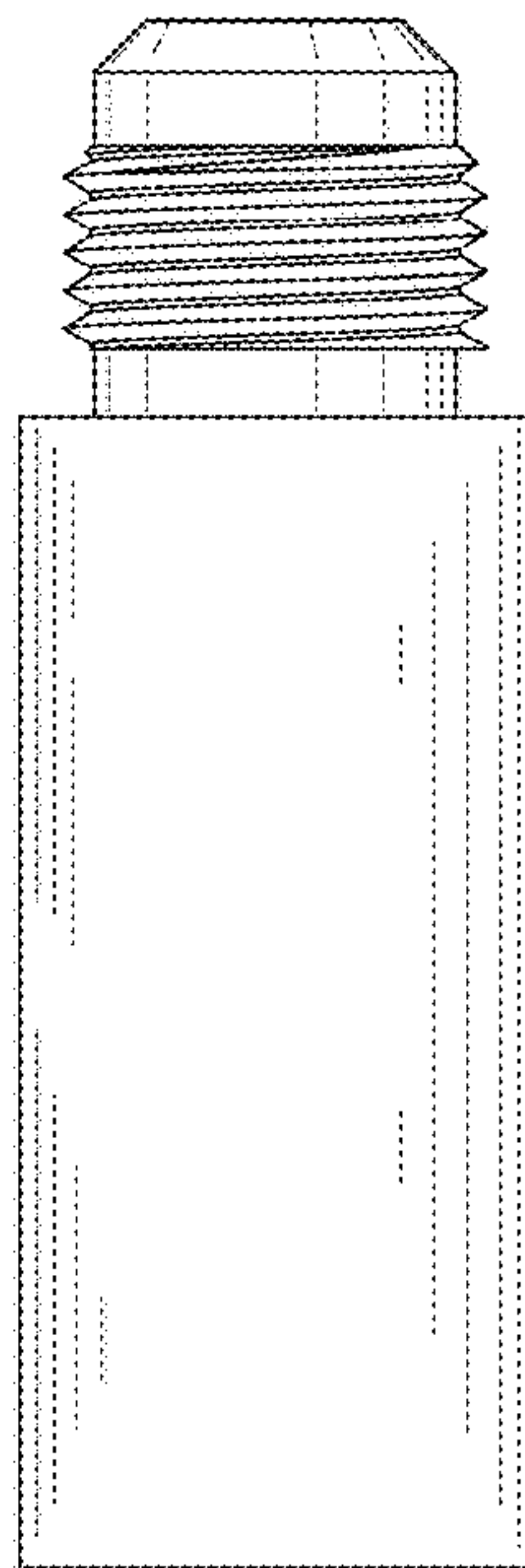


FIG. 5

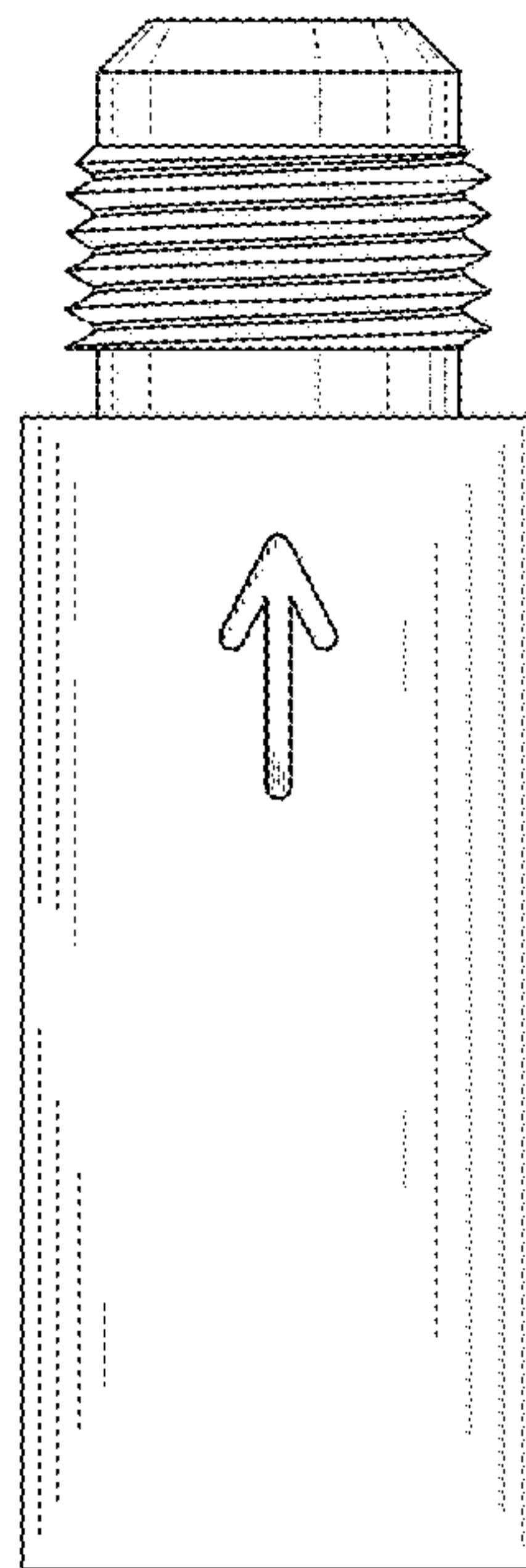


FIG. 6

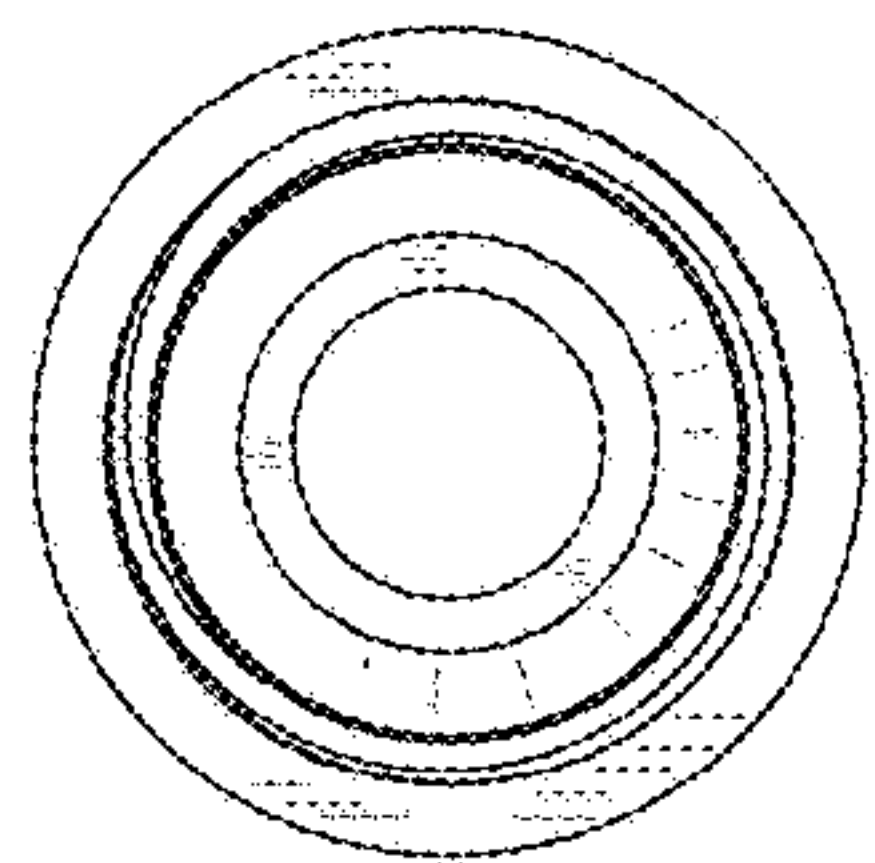


FIG. 7

