



US00D871543S

(12) **United States Design Patent** (10) **Patent No.:** **US D871,543 S**  
**Bundy** (45) **Date of Patent:** **\*\* Dec. 31, 2019**

(54) **SHOWER-HEAD WITH SOAP DISPENSER**  
(71) Applicant: **Kenneth Bundy**, Duchesne, UT (US)  
(72) Inventor: **Kenneth Bundy**, Duchesne, UT (US)  
(\*\*) Term: **15 Years**  
(21) Appl. No.: **29/647,631**  
(22) Filed: **May 15, 2018**  
(51) **LOC (12) Cl.** ..... **23-01**  
(52) **U.S. Cl.**  
USPC ..... **D23/213**  
(58) **Field of Classification Search**  
USPC ..... D23/213, 214, 215, 223, 224, 226, 229,  
D23/230  
CPC ..... A61H 9/0021; A61H 33/00; B05B 1/00;  
B05B 1/14; B05B 1/185; B05B 1/08;  
B05B 1/02; B05B 1/26; B05B 12/002;  
B05B 1/18; B05B 9/01  
See application file for complete search history.

D565,701 S \* 4/2008 Tsai ..... D23/213  
7,905,429 B2 3/2011 Somerfield  
D639,386 S \* 6/2011 Cummings ..... D23/213  
D652,114 S \* 1/2012 Yoo ..... D23/229  
D652,115 S \* 1/2012 Wang ..... D23/229  
D667,081 S \* 9/2012 Yoo ..... D23/229  
D668,743 S \* 10/2012 Kennedy ..... D23/213  
8,800,891 B2 8/2014 Cheng  
D713,006 S \* 9/2014 Schoenherr ..... D23/229  
D825,030 S \* 8/2018 McDonnell ..... D23/213  
D842,429 S \* 3/2019 Huang ..... D23/213  
D853,524 S \* 7/2019 Song ..... D23/213  
2010/0213279 A1 8/2010 Frederick

**FOREIGN PATENT DOCUMENTS**

CA 2626516 11/2013

\* cited by examiner

*Primary Examiner* — Manpreet S Matharu

*Assistant Examiner* — Keith J Wilson

(57) **CLAIM**

I claim the ornamental design for a shower-head with soap dispenser, as shown and described.

**DESCRIPTION**

FIG. 1 is a right side view of the shower-head with soap dispenser.

FIG. 2 is a left side view of the claimed design.

FIG. 3 is a back view of the claimed design.

FIG. 4 is a front view of the claimed design.

FIG. 5 is a top view of the claimed design.

FIG. 6 is a bottom view of the claimed design; and,

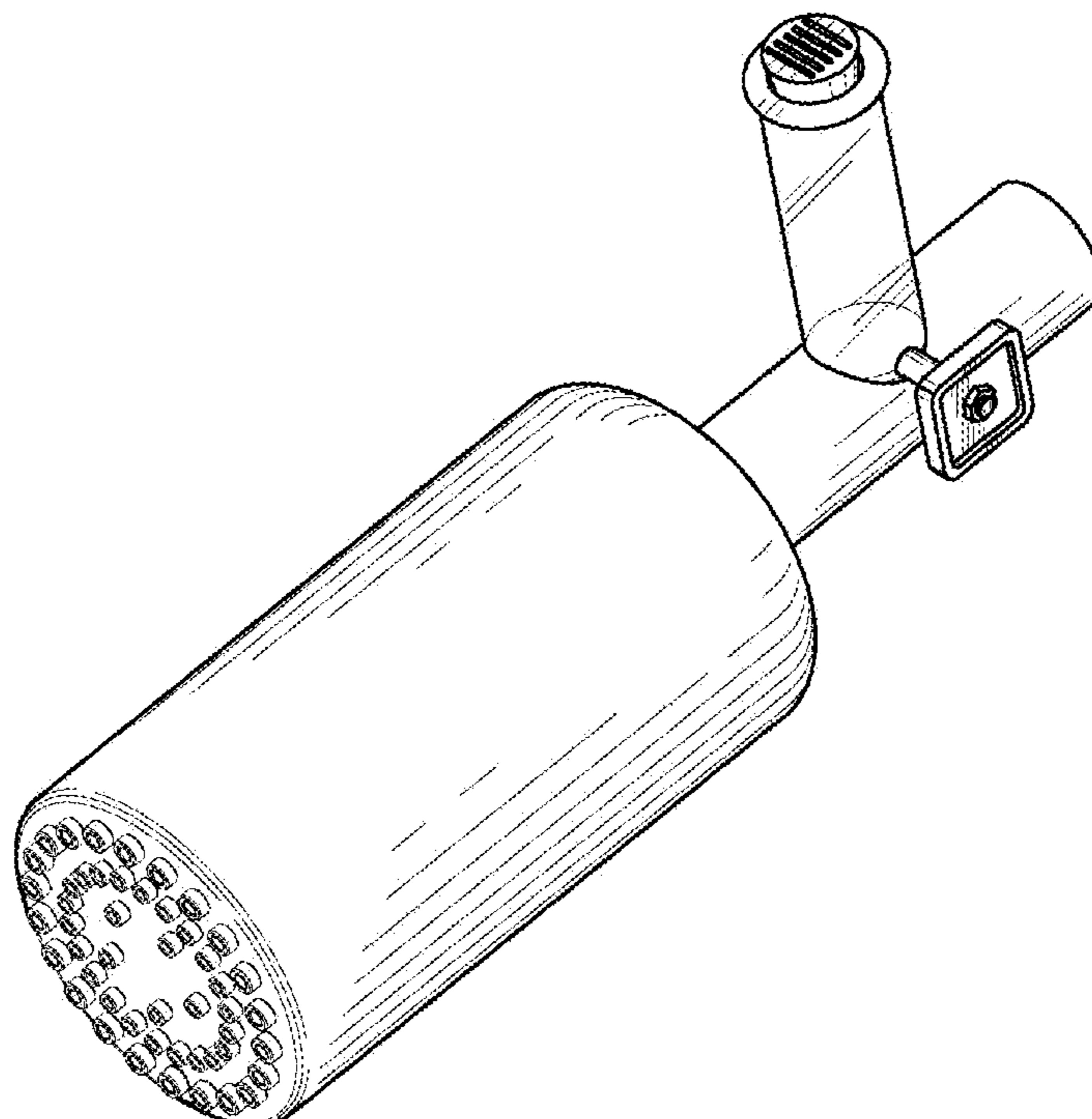
FIG. 7 is a perspective view of the claimed design.

**1 Claim, 5 Drawing Sheets**

(56) **References Cited**

**U.S. PATENT DOCUMENTS**

D101,440 S 10/1936 Dreyfuss  
D263,865 S \* 4/1982 Yamin ..... D23/230  
D268,127 S \* 3/1983 Whedon ..... D23/229  
D269,118 S \* 5/1983 Thompson ..... D23/230  
5,071,070 A 12/1991 Hardy  
5,562,248 A 10/1996 Khalifka  
D410,732 S \* 6/1999 Gottwald ..... D23/229  
6,045,060 A 4/2000 Hudson  
D454,618 S \* 3/2002 Clivio ..... D23/213  
D488,209 S \* 4/2004 Lobermeier ..... D23/230  
D556,856 S \* 12/2007 Buttgen ..... D23/213



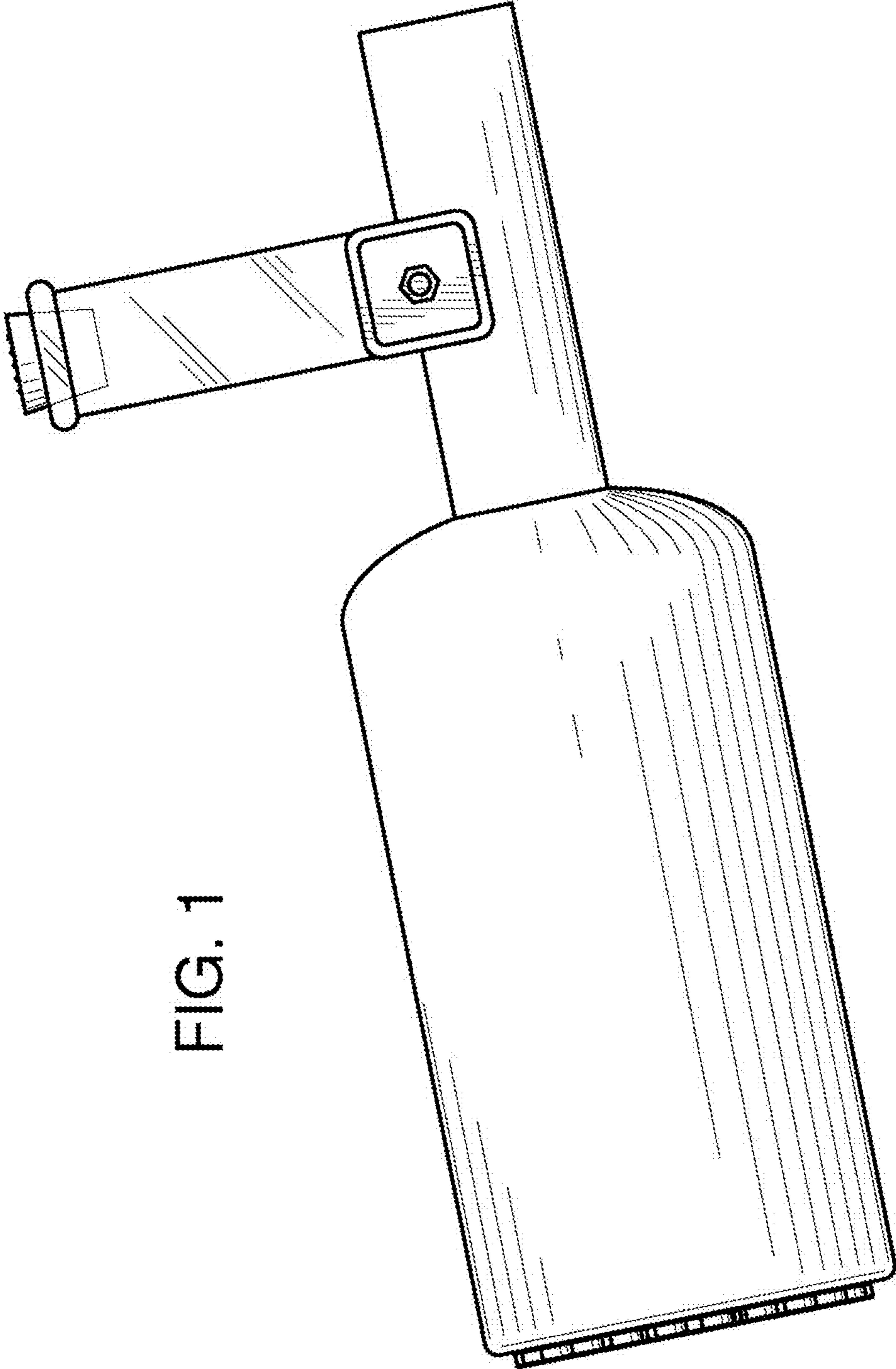
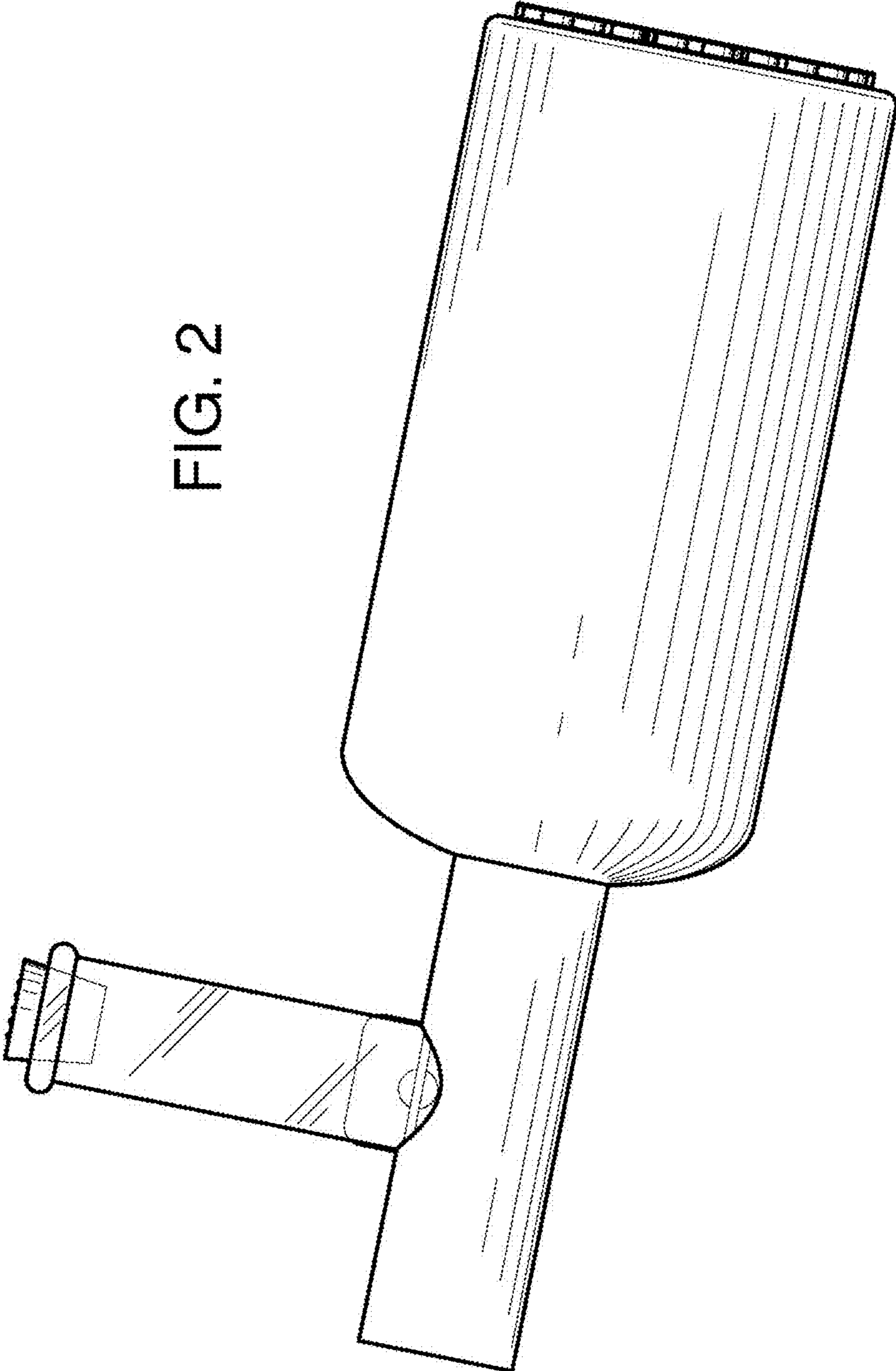


FIG. 1

FIG. 2



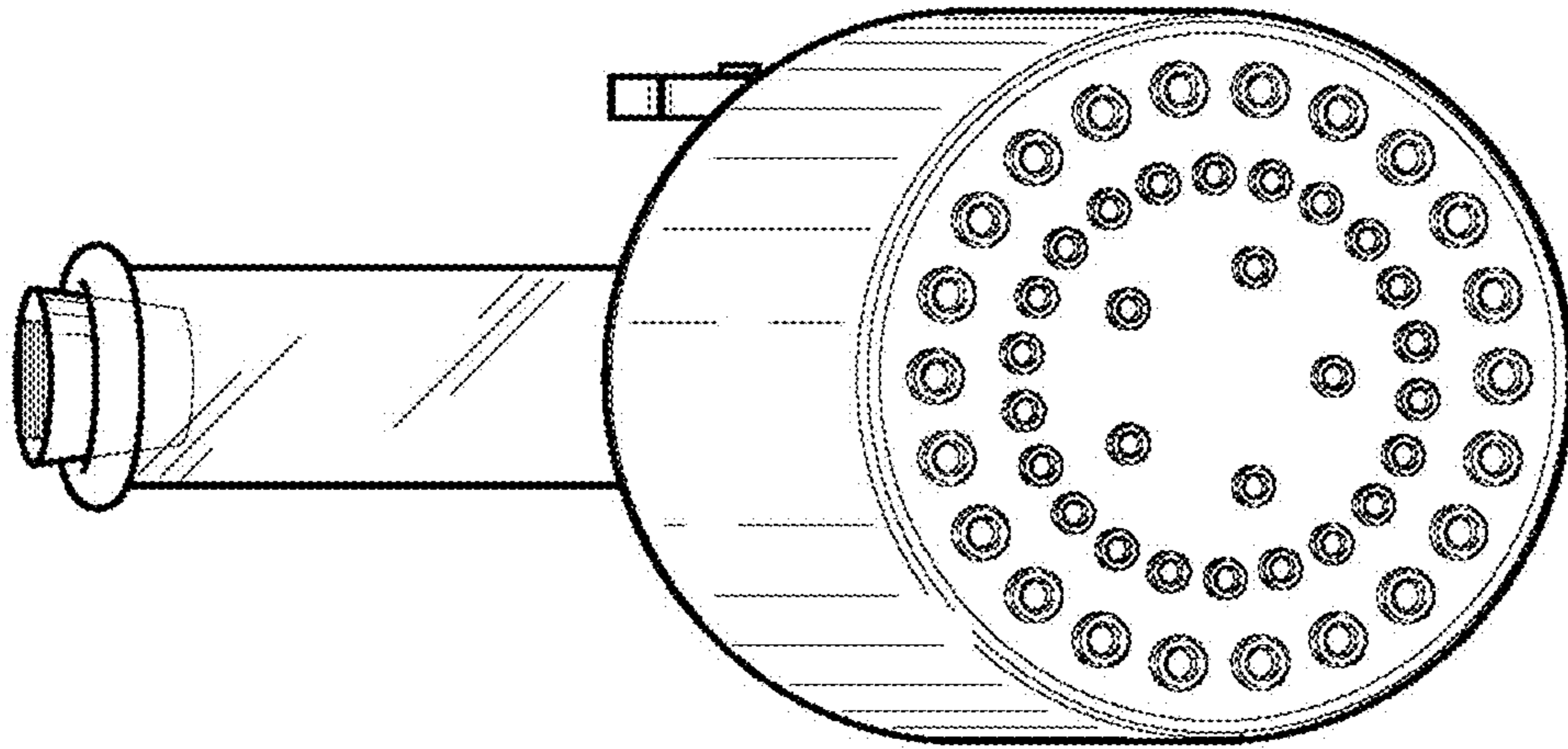


FIG. 4

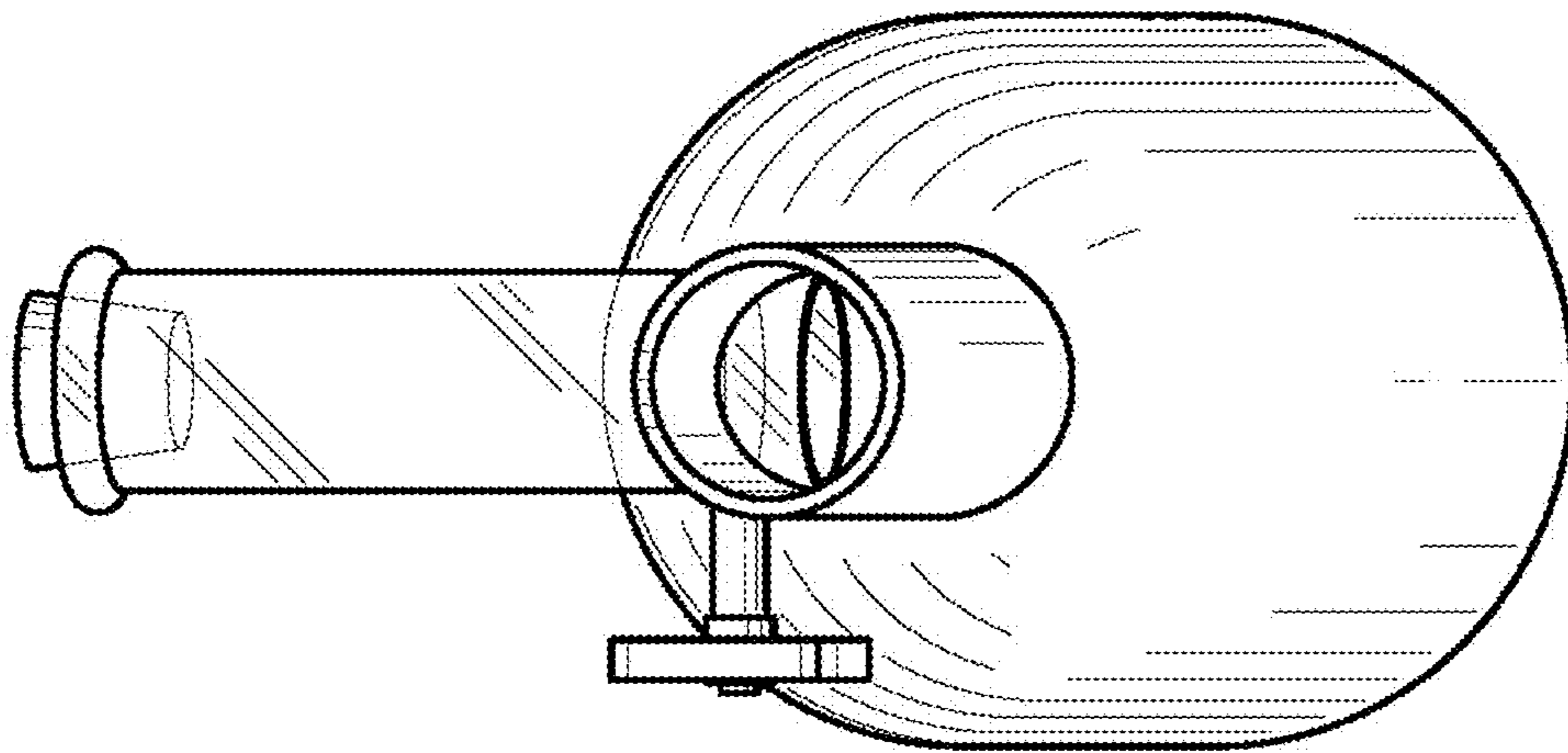


FIG. 3



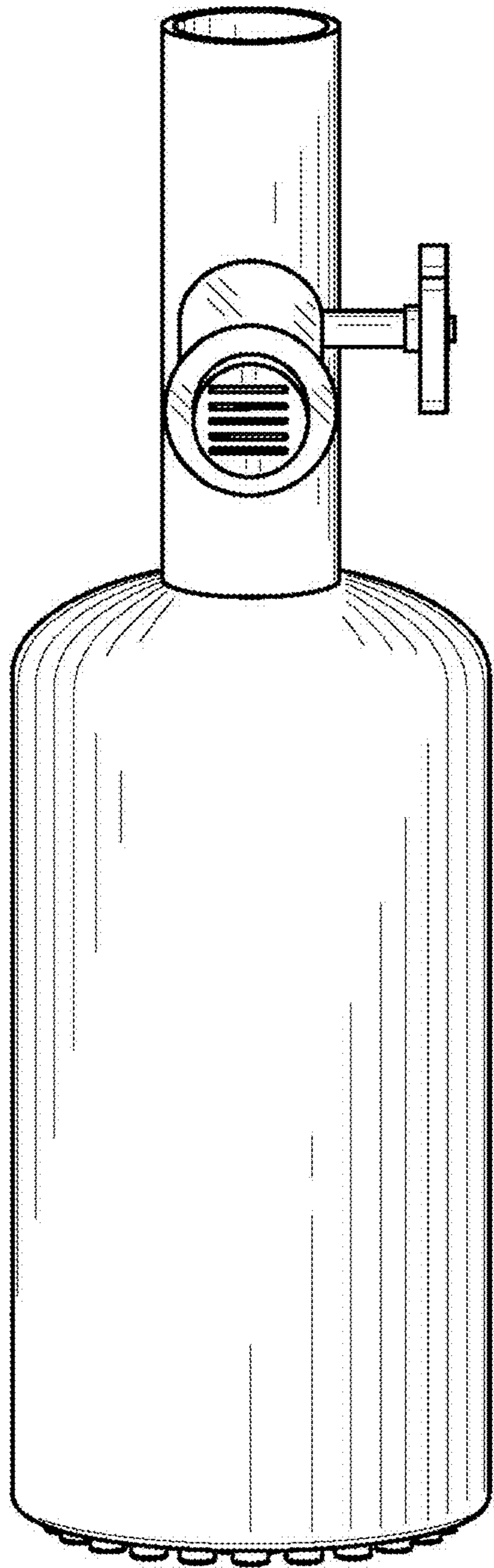


FIG. 5

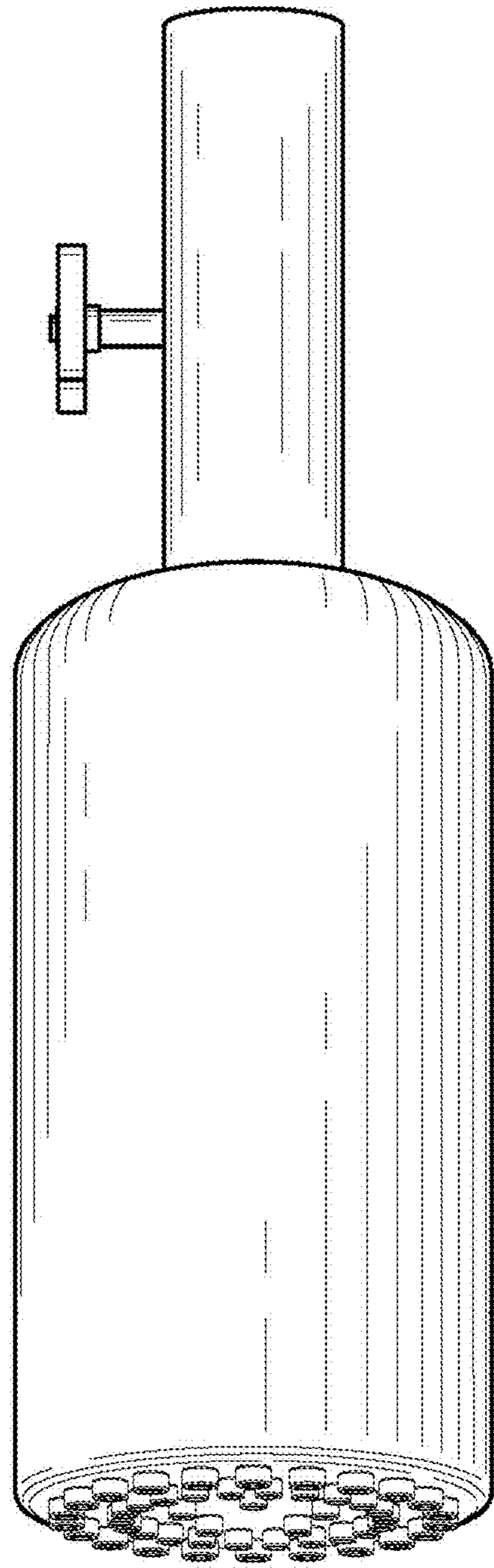


FIG. 6

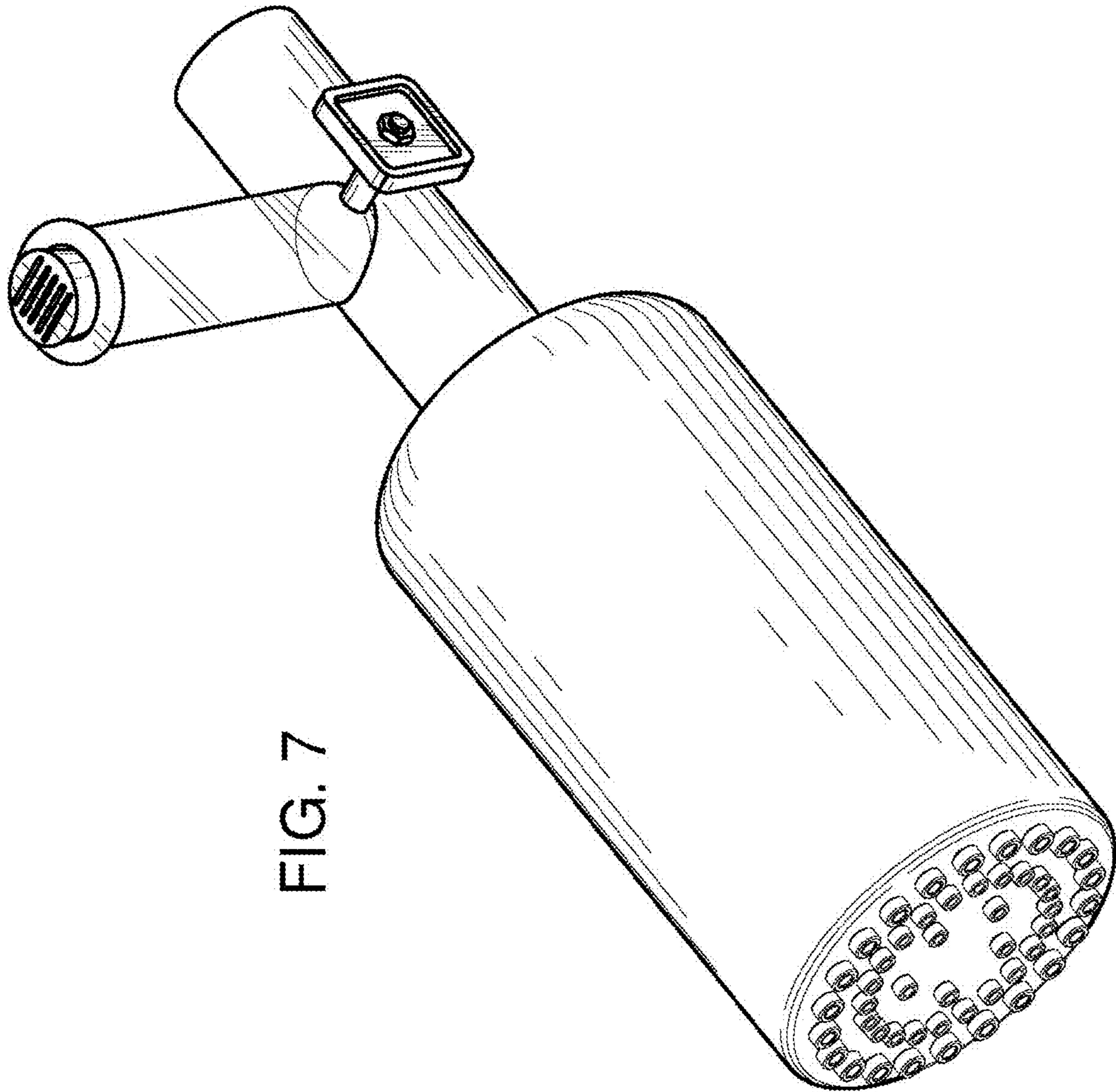


FIG. 7