



US00D871540S

(12) **United States Design Patent**
Chapin et al.

(10) **Patent No.:** **US D871,540 S**

(45) **Date of Patent:** **** Dec. 31, 2019**

(54) **ATTRACTANT CARTRIDGE FOR A BEETLE TRAP**

(71) Applicant: **Sterling International Inc.**, Spokane, WA (US)

(72) Inventors: **Marc Chapin**, Spokane, WA (US);
Qing-He Zhang, Greenacres, WA (US);
Rodney G. Schneidmiller, Greenacres, WA (US)

(73) Assignee: **Sterling International Inc.**, Spokane, WA (US)

(**) Term: **15 Years**

(21) Appl. No.: **29/670,925**

(22) Filed: **Nov. 20, 2018**

(51) **LOC (12) Cl.** **22-02**

(52) **U.S. Cl.**
USPC **D22/122**

(58) **Field of Classification Search**
USPC D22/119-124; 43/107, 122, 132.1
CPC A01K 61/02; A01K 61/80; A01M 1/02;
A01M 1/04; A01M 1/106; A01M 1/20;
A01M 1/10; A01M 1/00; A01M 1/2016;
A01M 2200/012
See application file for complete search history.

(56) **References Cited**

U.S. PATENT DOCUMENTS

1,682,575	A *	8/1928	Leon	A01M 1/02 43/107
1,787,421	A	4/1929	Ruddell		
1,783,631	A *	12/1930	Sladky	A01M 1/02 43/107
1,882,380	A *	10/1932	Braun	A01M 1/02 43/107
1,968,954	A *	8/1934	Metzger	A01M 1/02 43/107
4,476,647	A	10/1984	Hall, Jr.		

4,706,410	A *	11/1987	Briese	A01M 1/02 43/107
D359,790	S	6/1995	Blotnick		
6,301,827	B1	10/2001	Lankster		
6,550,181	B1 *	4/2003	Ray	A01M 1/106 43/107
8,448,376	B2 *	5/2013	Kagawa	A01M 1/106 43/107
8,943,742	B2 *	2/2015	Aiayedh	A01M 1/106 43/107

* cited by examiner

Primary Examiner — Catherine R Oliver-Garcia
(74) *Attorney, Agent, or Firm* — Christensen O'Connor Johnson Kindness, PLLC

(57) **CLAIM**

The ornamental design for the attractant cartridge for a beetle trap, as shown and described.

DESCRIPTION

FIG. 1 is an environmental view of an attractant cartridge for a beetle trap in accordance with the present design; FIG. 2 is an upper perspective view of the attractant cartridge for a beetle trap shown in FIG. 1; FIG. 3 is a lower perspective view of the attractant cartridge for a beetle trap shown in FIG. 1; FIG. 4 is a plan view of the attractant cartridge for a beetle trap shown in FIG. 1; FIG. 5 is a front view of the attractant cartridge for a beetle trap shown in FIG. 1, which due to symmetry is the same as the back view, the left side view, and the right side view of the attractant cartridge for a beetle trap; and, FIG. 6 is a bottom view of the attractant cartridge for a beetle trap shown in FIG. 1. The broken line shown of a attractant cartridge for a beetle trap is for the purpose of illustrating environmental structure and forms no part of the claimed design.

1 Claim, 3 Drawing Sheets

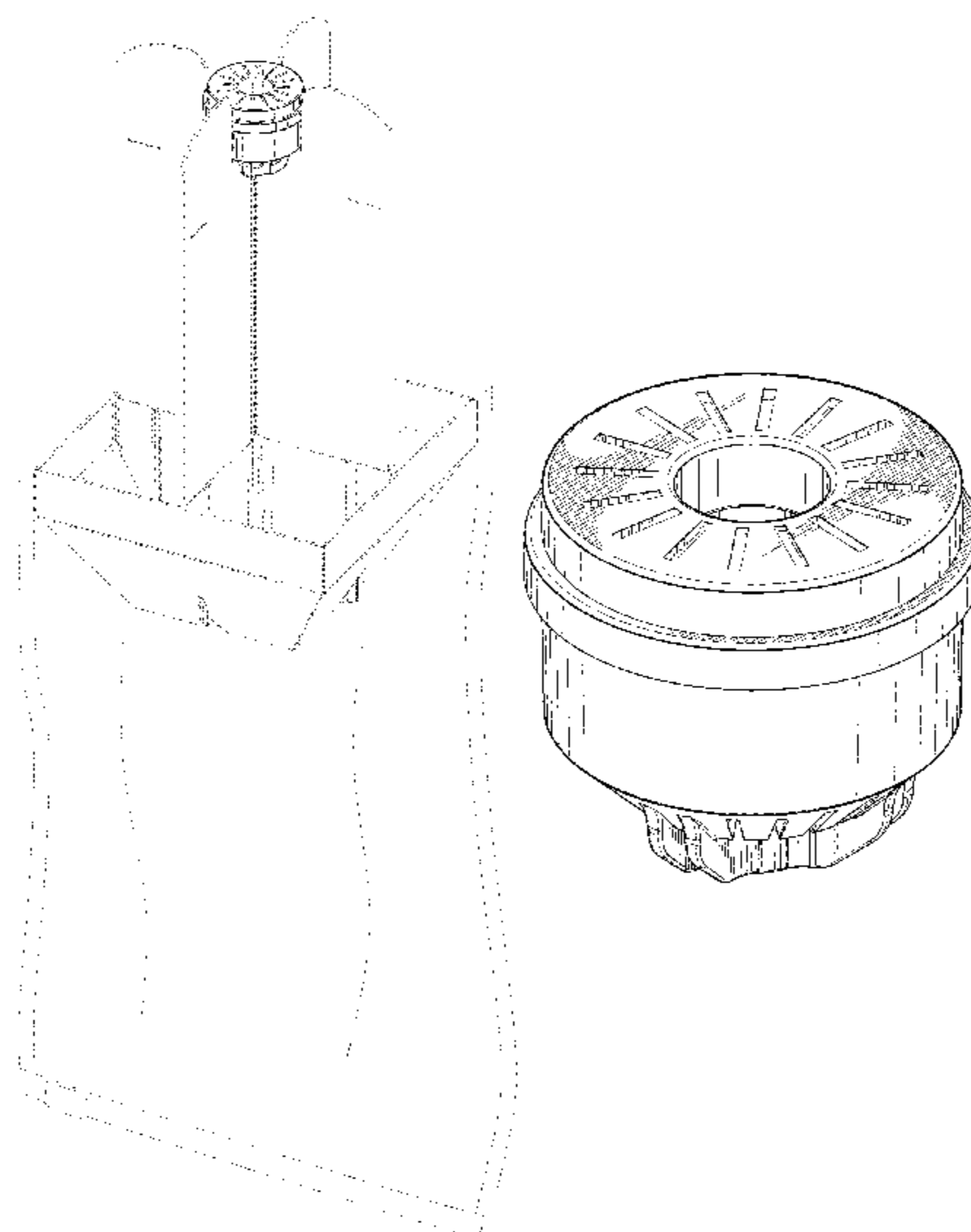
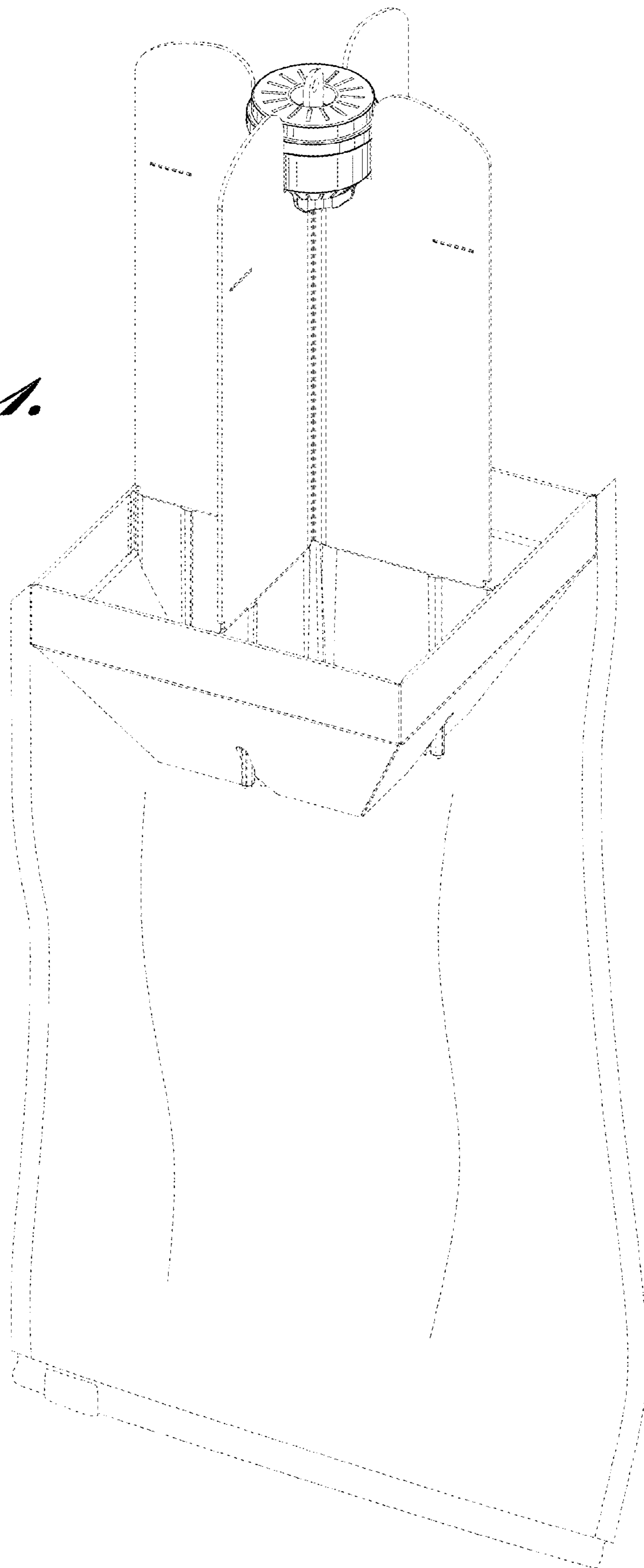


Fig. 1.



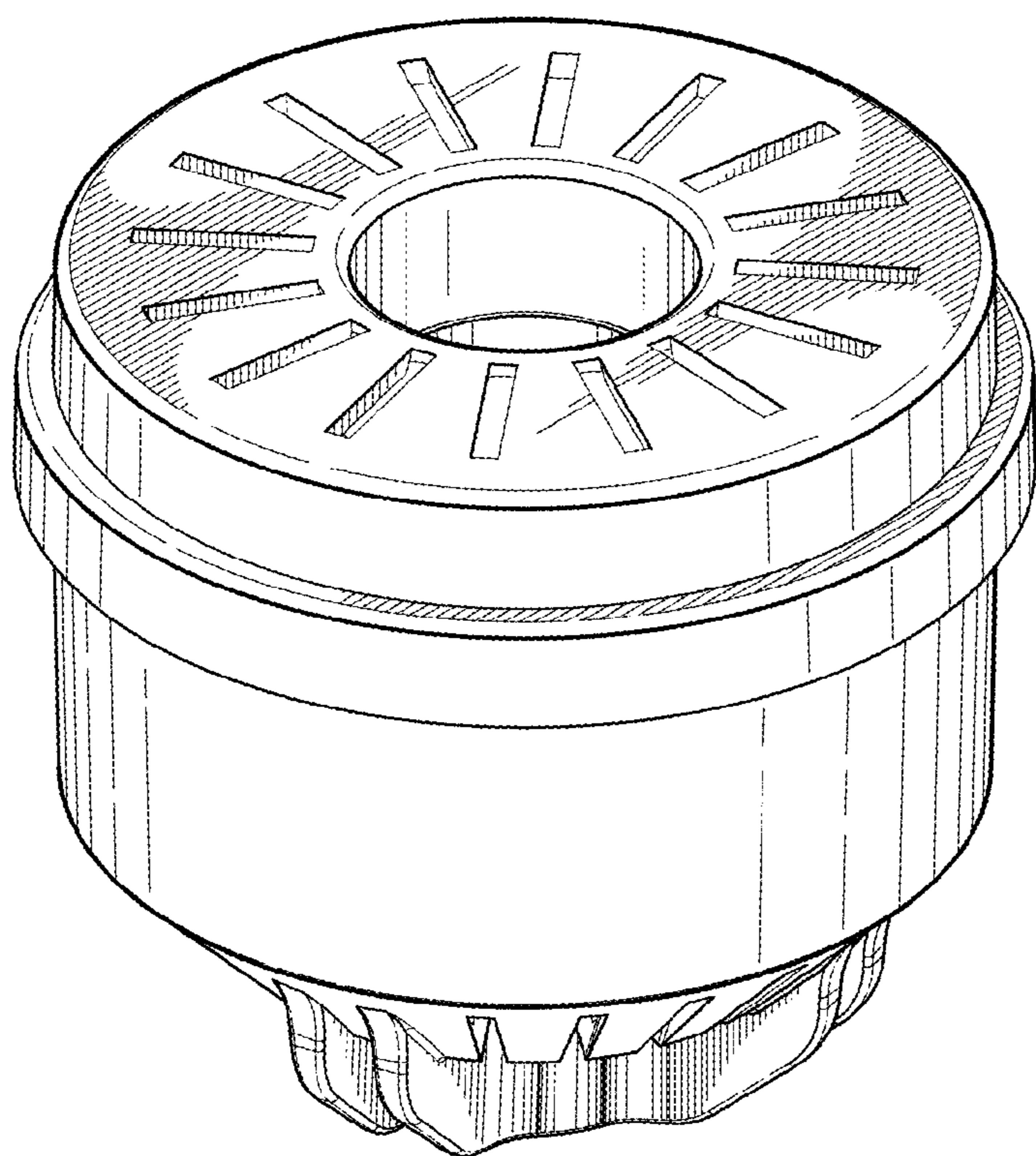


Fig. 2.

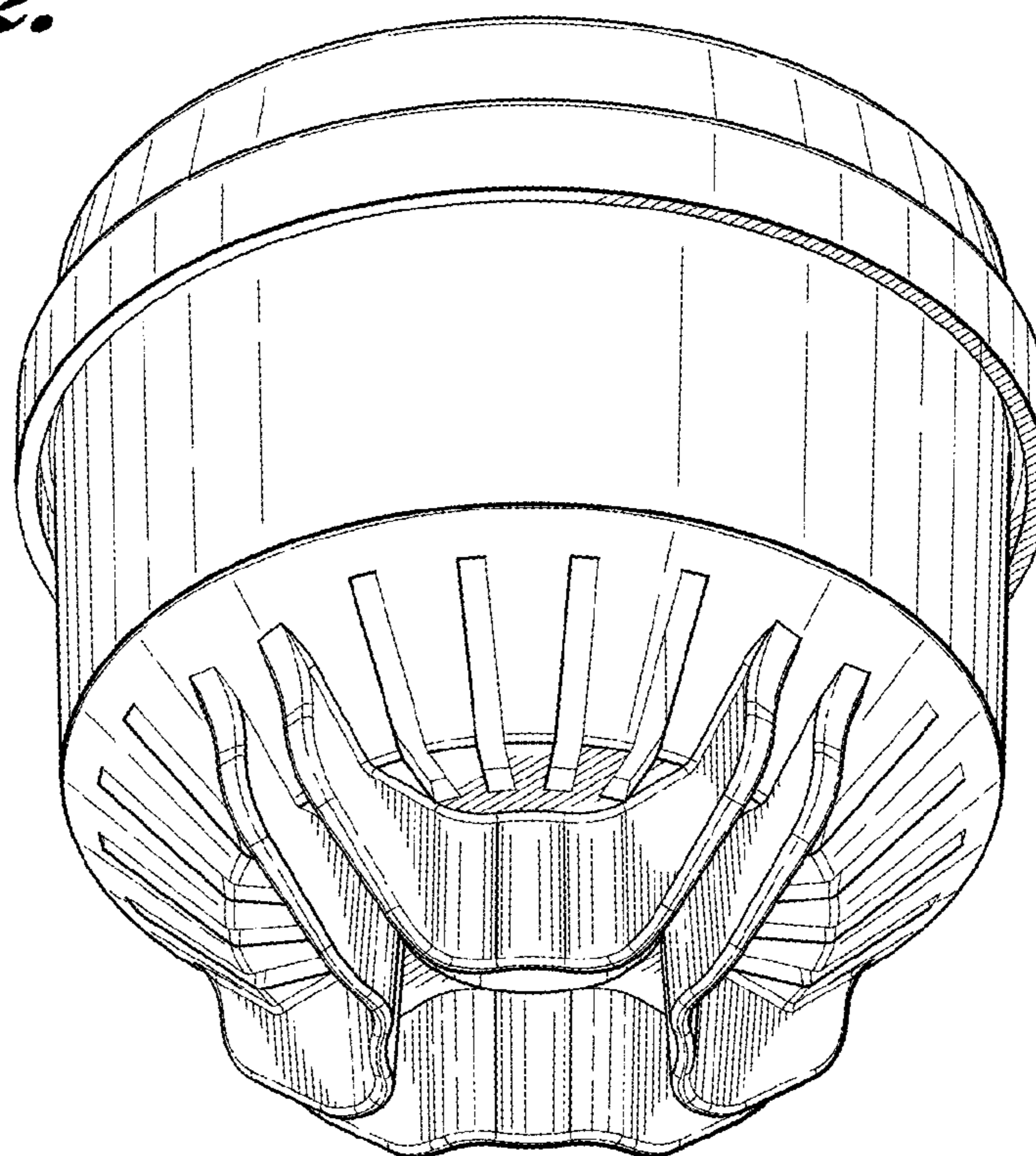


Fig. 3.

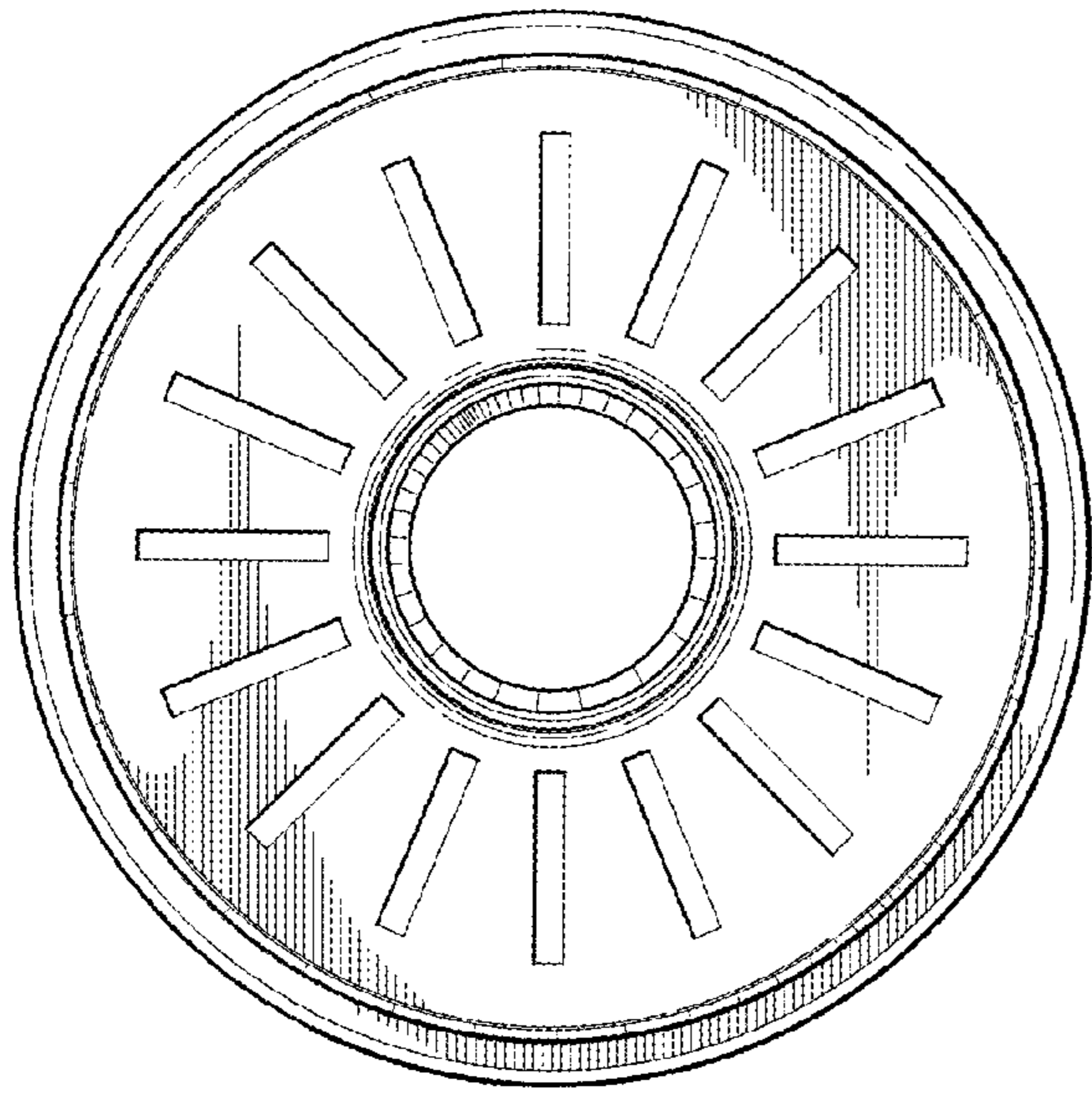


Fig. 4.

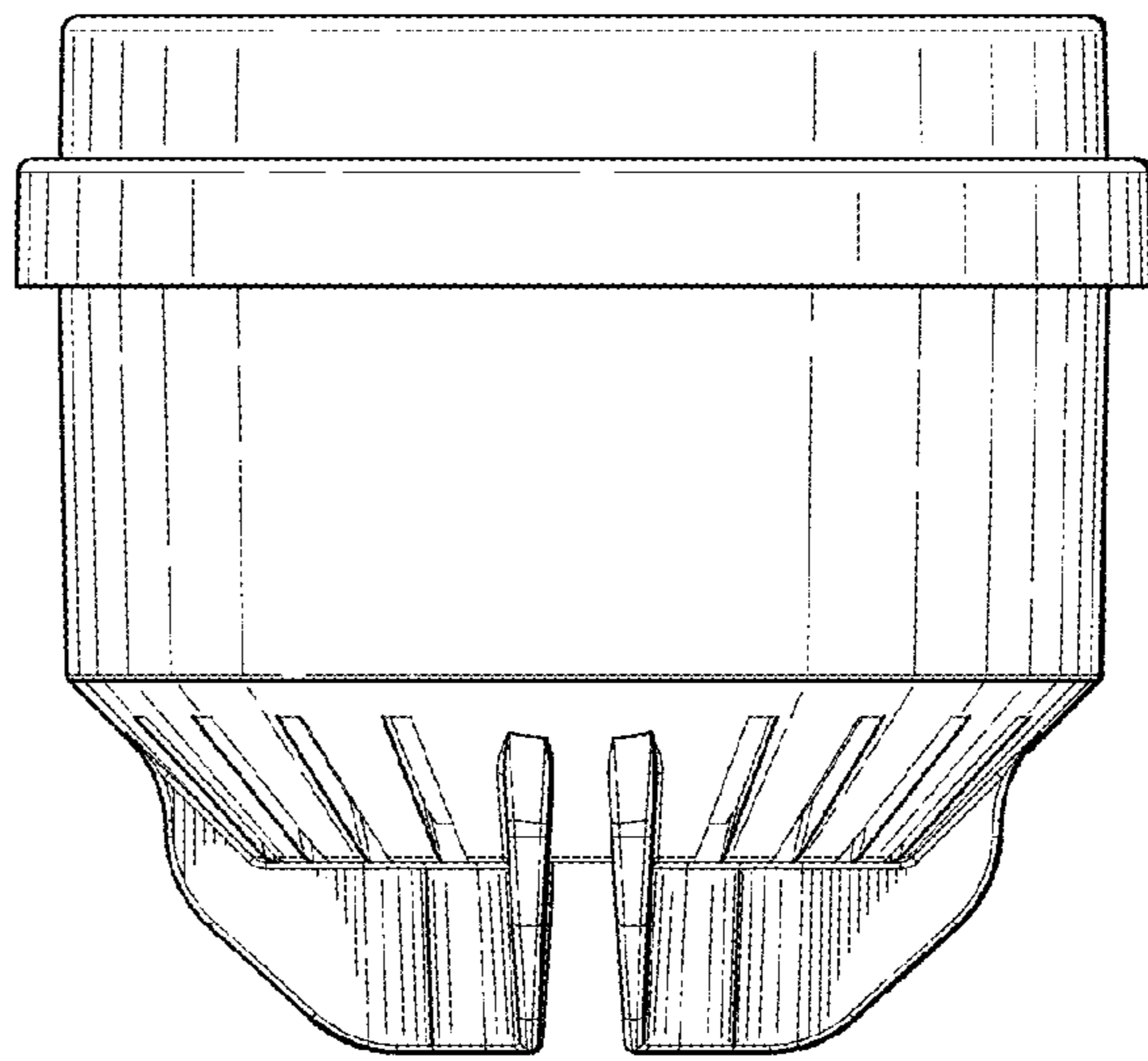


Fig. 5.

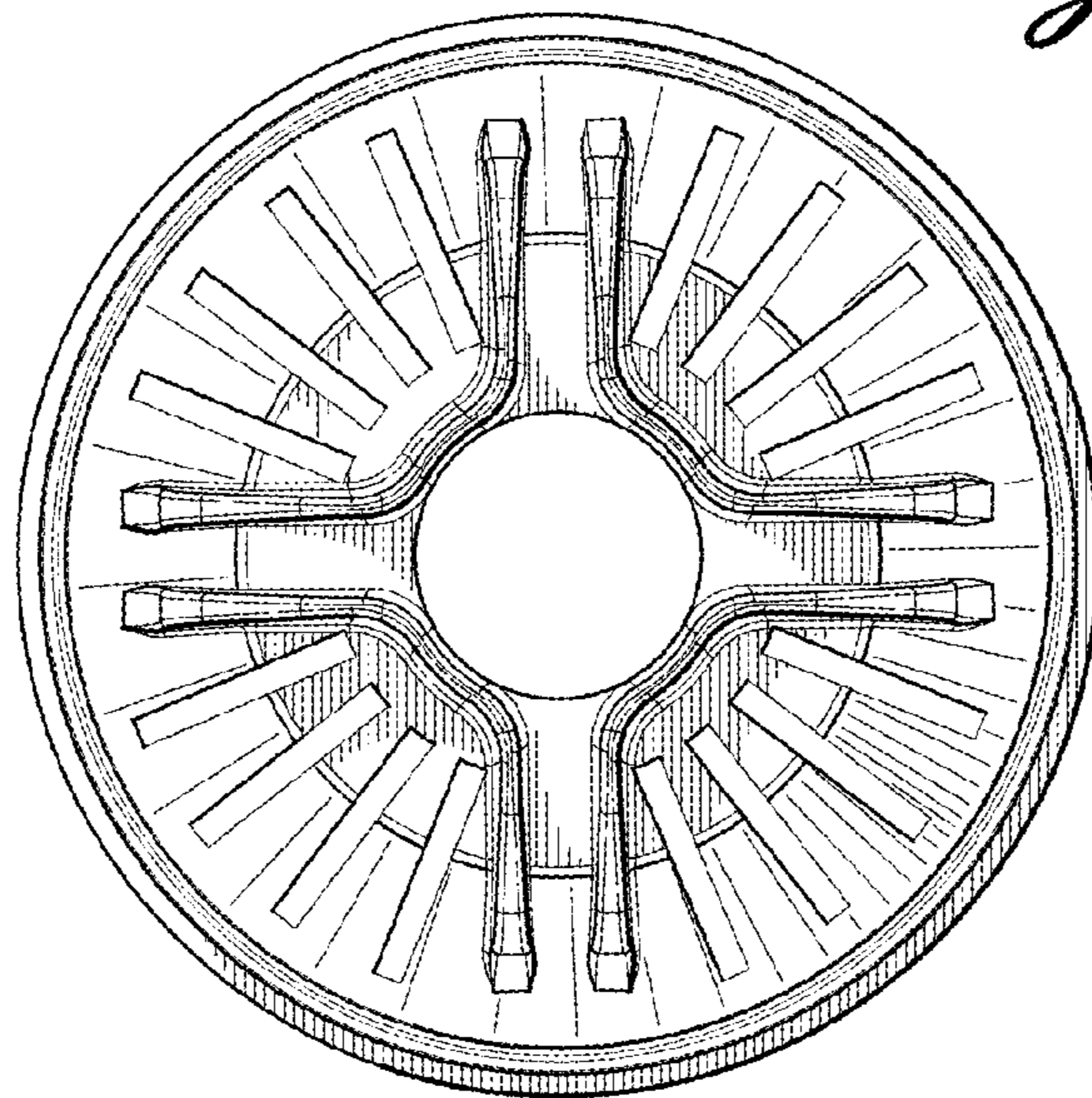


Fig. 6.