



US00D871536S

(12) **United States Design Patent** (10) **Patent No.:** **US D871,536 S**  
**Lessard et al.** (45) **Date of Patent:** **\*\* Dec. 31, 2019**

(54) **FIREARM STOCK**

(56) **References Cited**

(71) Applicant: **Q, LLC**, Portsmouth, NH (US)

U.S. PATENT DOCUMENTS

(72) Inventors: **Ethan Lessard**, East Kingston, NH (US); **Kevin Brittingham**, Portsmouth, NH (US); **Brian McDonald**, Portsmouth, NH (US); **Nicholas Schafer**, Portsmouth, NH (US); **Patrick Law**, Portsmouth, NH (US)

D610,218 S \* 2/2010 Barrett ..... D22/103  
7,798,045 B1 9/2010 Fitzpatrick et al.  
D626,618 S 11/2010 Peterson et al.  
D629,062 S 12/2010 Peterson et al.  
7,966,762 B2\* 6/2011 Barrett ..... F41A 3/22  
42/75.01

D641,825 S 7/2011 Gridelet  
D645,532 S 9/2011 Peterson et al.

(Continued)

(73) Assignee: **Q, LLC**, Portsmouth, NH (US)

OTHER PUBLICATIONS

(\*\*) Term: **15 Years**

Q Mini Fix, SoldierSystems.net, Wednesday, Feb. 14, 2018 at 11:00, [online], [site visited Aug. 6, 2019]. <URL: http://soldiersystems.net/2018/02/14/q-mini-fix/> (Year: 2018).\*

(21) Appl. No.: **29/657,749**

(Continued)

(22) Filed: **Jul. 25, 2018**

*Primary Examiner* — T Chase Nelson  
*Assistant Examiner* — Jonathan J. Han  
(74) *Attorney, Agent, or Firm* — Fox Rothschild LLP

**Related U.S. Application Data**

(63) Continuation of application No. 29/588,351, filed on Dec. 20, 2016, now Pat. No. Des. 827,753.

(57) **CLAIM**

The ornamental design for a firearm stock, as shown and described.

(51) **LOC (12) Cl.** ..... **22-01**

**DESCRIPTION**

(52) **U.S. Cl.**

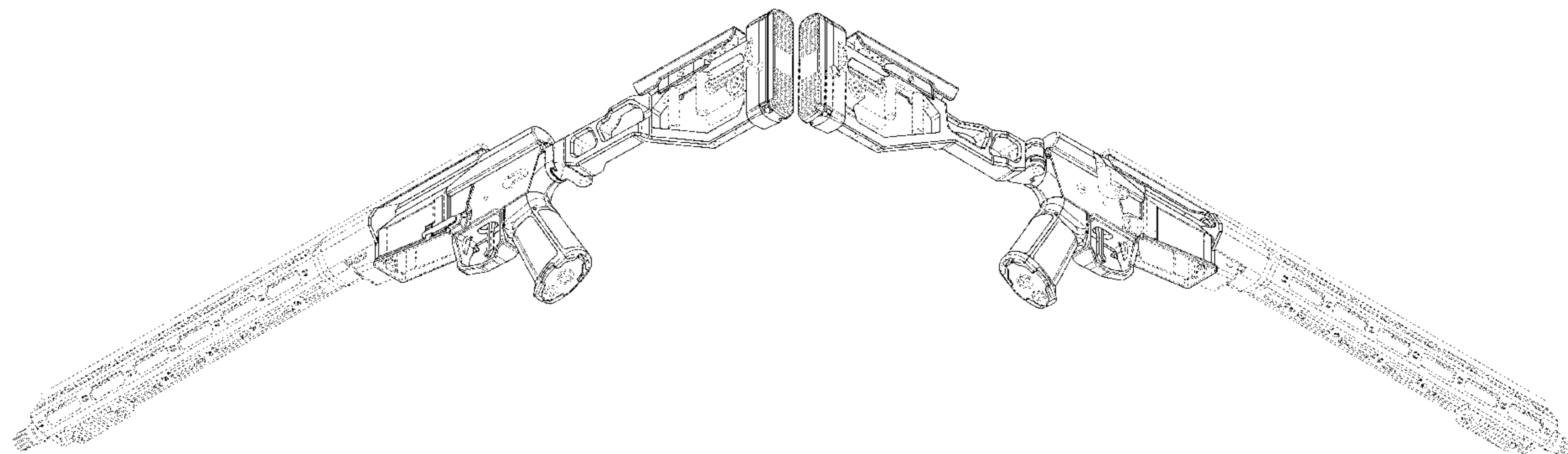
USPC ..... **D22/108**

(58) **Field of Classification Search**

USPC ..... D22/103, 104, 105, 108–110; D21/333, D21/401, 461, 567, 568, 570–575; D14/100, 101; D8/103, 108; 124/16, 26, 124/27, 28, 29, 54, 73–77; 222/78, 79; 42/54, 57, 58; 446/23, 182, 192, 401, 446/403, 405–407, 473, 475  
CPC ..... F41C 23/10; F41C 23/14; F41C 23/16; F41C 23/18; F41C 23/00; F41C 27/00; F41C 27/06; F41C 7/00; F41C 7/11; F41C 7/12; F41A 5/18; F41A 5/24; F41A 21/28; F41B 11/89; F41B 7/08  
See application file for complete search history.

FIG. 1 is bottom, rear, right side perspective view of a firearm stock in accordance with the present disclosure. FIG. 2 is bottom, rear, left side perspective view of the firearm stock of FIG. 1. FIG. 3 is a left side elevation view of the firearm stock of FIG. 1. FIG. 4 is a right side elevation view of the firearm stock of FIG. 1. FIG. 5 is a rear view of the firearm stock of FIG. 1. FIG. 6 is a front view of the firearm stock of FIG. 1. FIG. 7 is a top view of the firearm stock of FIG. 1; and, FIG. 8 is a bottom view of the firearm stock of FIG. 1. The broken lines in the Figures illustrate portions of the article that form no part of the claimed design.

**1 Claim, 4 Drawing Sheets**



(56)

References Cited

U.S. PATENT DOCUMENTS

D709,581 S 7/2014 Langevin et al.  
 8,844,185 B2\* 9/2014 Jarboe ..... F41C 23/04  
 42/73  
 D733,827 S 7/2015 Serbu  
 9,097,478 B1 8/2015 Karagias  
 9,157,696 B2\* 10/2015 Dextraze ..... F41G 11/003  
 9,410,764 B2\* 8/2016 Jarboe ..... F41C 23/04  
 9,441,897 B2\* 9/2016 Mather ..... F41A 11/00  
 9,464,863 B2\* 10/2016 Mather ..... F41C 23/14  
 9,482,478 B2 11/2016 Newman  
 D774,619 S\* 12/2016 Mather ..... D22/108  
 9,546,845 B2\* 1/2017 Mather ..... F41C 23/04  
 9,574,852 B1 2/2017 McKillips et al.  
 D785,122 S 4/2017 Mather et al.  
 9,658,020 B2 5/2017 Daniel et al.  
 9,664,476 B1 5/2017 Robinson et al.  
 9,664,478 B2 5/2017 Robinson et al.  
 D795,984 S 8/2017 Frederickson et al.  
 9,733,030 B2 8/2017 Daniel et al.  
 9,945,625 B2\* 4/2018 Kokinis ..... F41A 3/78  
 D827,753 S\* 9/2018 Lessard ..... D22/103  
 10,317,165 B2\* 6/2019 Saltzman ..... F41C 23/08  
 2009/0288324 A1\* 11/2009 Peterson ..... F41A 11/02  
 42/75.03  
 2010/0000139 A1 1/2010 Brown  
 2010/0307042 A1\* 12/2010 Jarboe ..... F41A 3/18  
 42/6  
 2011/0023699 A1 2/2011 Barrett  
 2012/0000109 A1\* 1/2012 Zusman ..... F41C 23/14  
 42/71.01  
 2012/0131835 A1 5/2012 Barrett et al.  
 2012/0167434 A1\* 7/2012 Masters ..... F41C 23/16  
 42/90  
 2012/0216439 A1 8/2012 Barrett et al.  
 2014/0013642 A1 1/2014 Larson, Jr.  
 2014/0041273 A1\* 2/2014 Masters ..... F41C 23/16  
 42/71.01  
 2014/0075815 A1\* 3/2014 Jarboe ..... F41C 23/04  
 42/73  
 2014/0115938 A1\* 5/2014 Jarboe ..... F41A 21/485  
 42/71.01  
 2014/0311004 A1 10/2014 Barrett  
 2015/0007478 A1 1/2015 Barrett et al.

2015/0233656 A1\* 8/2015 Karagias ..... F41C 23/04  
 42/16  
 2015/0369555 A1 12/2015 Daniel et al.  
 2016/0018181 A1 1/2016 Swadener et al.  
 2016/0033218 A1 2/2016 Folkestad et al.  
 2016/0033219 A1 2/2016 Meier  
 2016/0187090 A1\* 6/2016 Mather ..... F41A 11/00  
 42/70.06  
 2016/0202016 A1\* 7/2016 Mather ..... F41C 23/14  
 42/73  
 2016/0290761 A1 10/2016 Cook et al.  
 2017/0059264 A1 3/2017 Geissele et al.  
 2017/0059273 A1 3/2017 Geissele  
 2017/0146312 A1 5/2017 Groves  
 2017/0153075 A1 6/2017 DeSomma  
 2017/0241724 A1 8/2017 Lammers et al.  
 2017/0307321 A1 10/2017 DeSomma  
 2018/0195818 A1\* 7/2018 Schafer ..... F41A 3/72  
 2018/0195823 A1\* 7/2018 Schafer ..... F41A 19/31  
 2019/0128639 A1\* 5/2019 Parker ..... F41C 23/14

OTHER PUBLICATIONS

Accurate, Modular, Lightweight Bolt-Action: The Q Fix—Full Review, GunAmerica.com, by Jeff Cramblit on Feb. 21, 2018, [online], [site visited Aug. 6, 2019]. <URL: <https://www.gunsamerica.com/digest/accurate-modular-lightweight-bolt-action-q-fix-full-review/>> (Year: 2018).\*

Honey Badger by Q, LiveQordie.com, [online], [site visited Nov. 3, 2017]. <URL: <https://liveqordie.com/product/rifles-by-g/honey-badger-by-q/>> (Year: 2017).

The Fix by Q, LiveQordie.com, [online], [site visited Nov. 3, 2017]. <URL: <https://liveqordie.com/product/rifles-by-g/the-fix-by-g/>>Year: 2017).

We knew Q LLC was going to make Next-Gen ARs and Silencers, but we didn't expect The Fix, RecoilWeb.com, Rob Curtis, Jan. 16, 2017, [online], [site visited Nov. 3, 2017]. <URL: <http://www.recoilweb.com/we-knew-g-lic-was-going-to-make-next-gen-ars-and-silencers-but-we-didnt-expect-the-fix-122186.html>> (Year: 2017).

Q's "The Fix" w/Kevin Brittingham (Shot Show Range Day 2017), YouTube.com, Jeremy S., Published on Jan. 16, 2017, [online], [site visited Nov. 3, 2017]. <URL: <https://www.youtube.com/watch?v=IxemGbLZX8U>> (Year: 2017).

\* cited by examiner

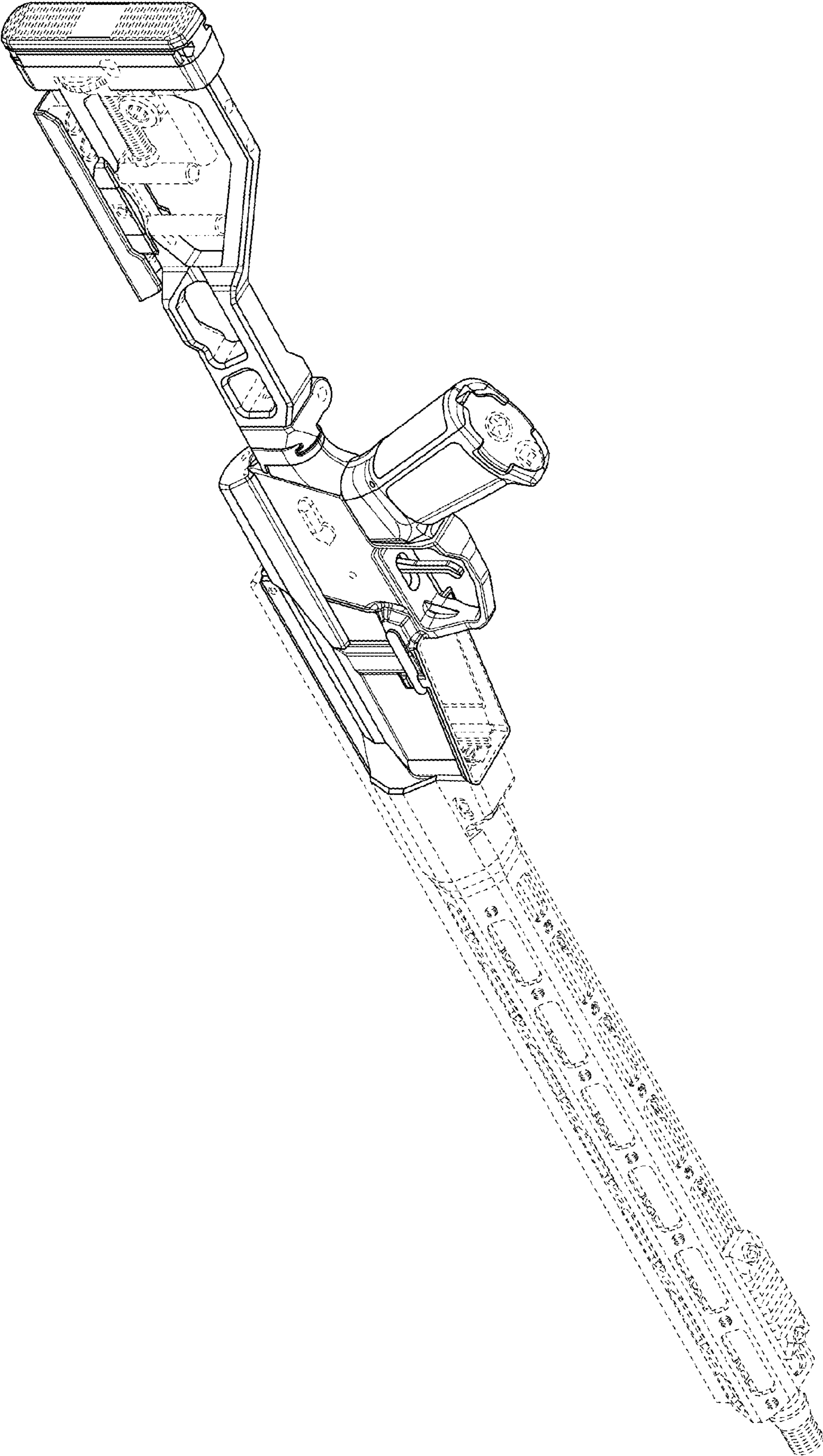


FIG. 1

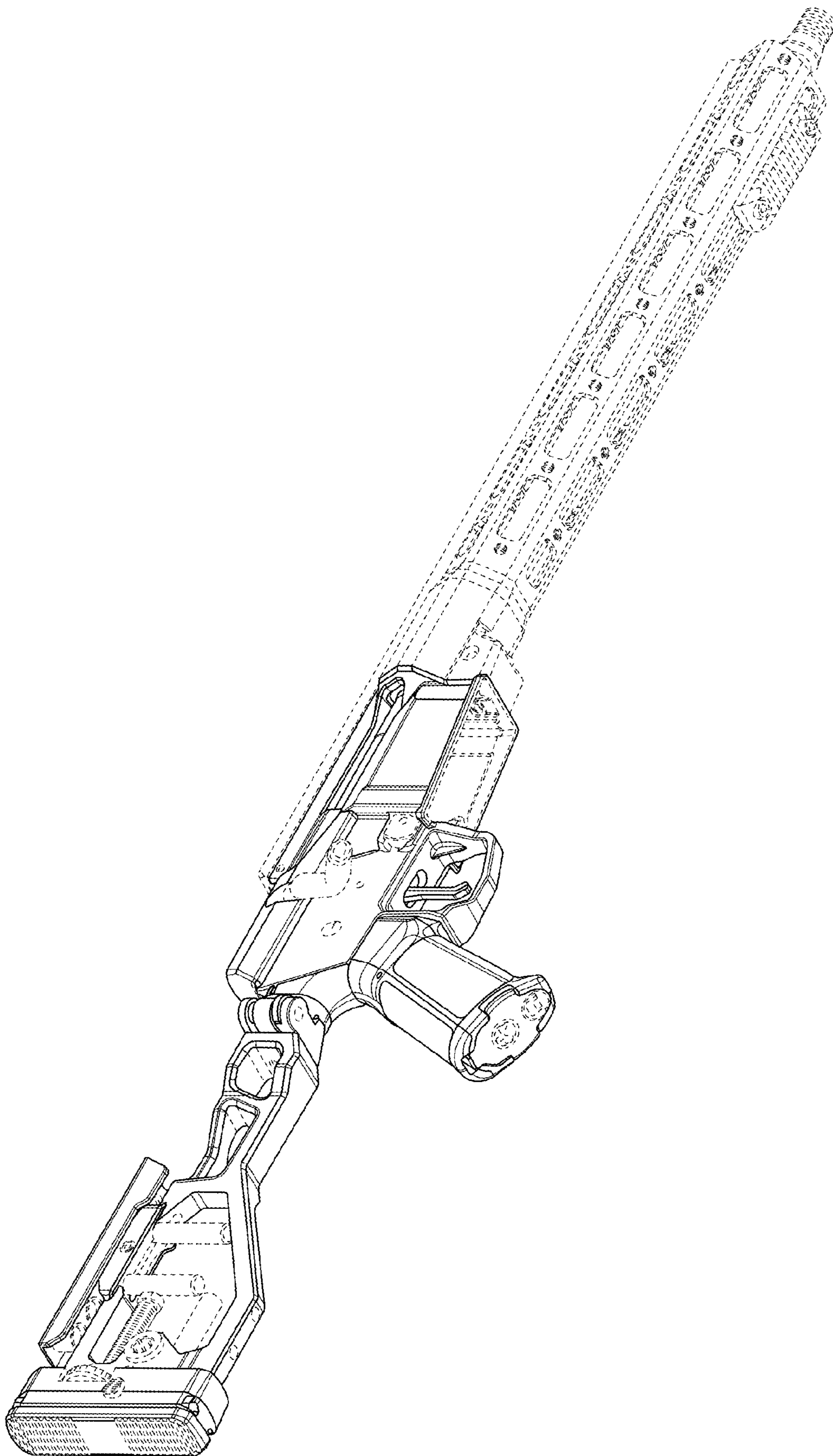


FIG. 2

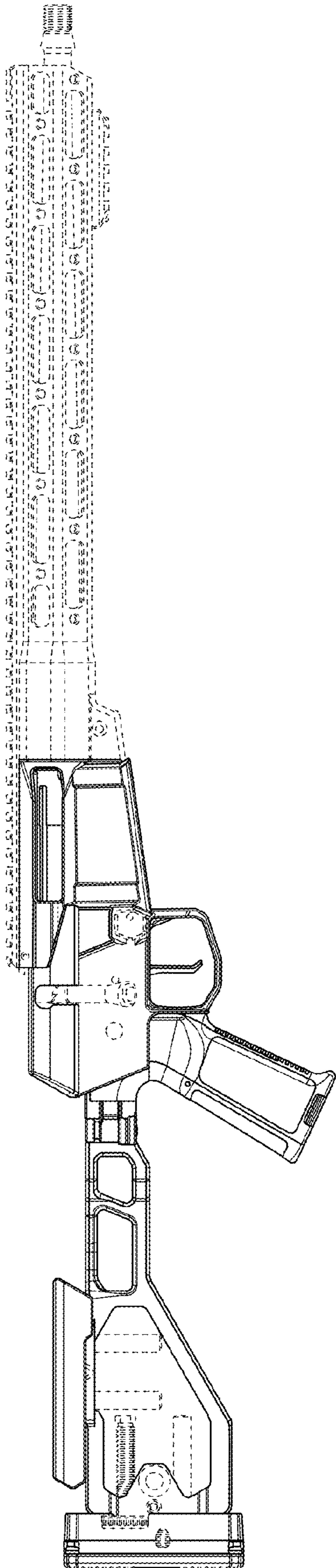


FIG. 3

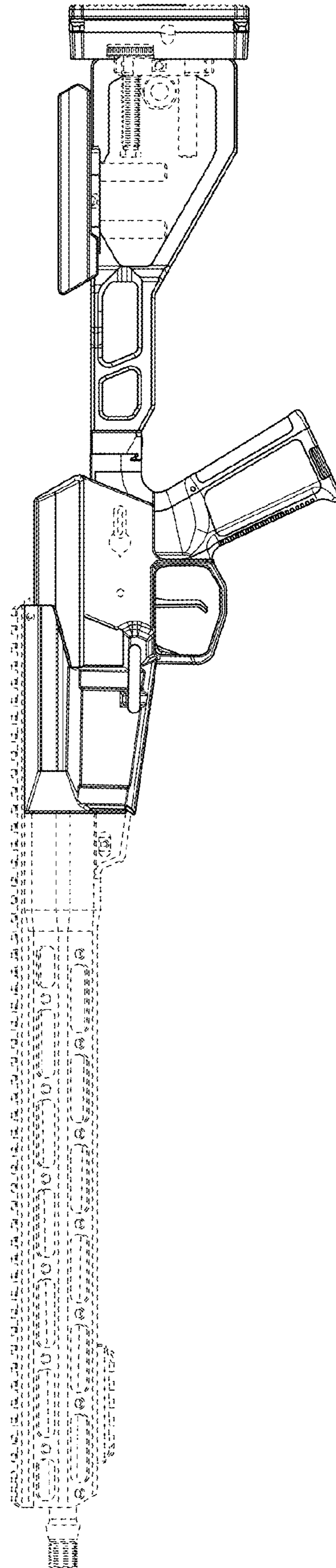


FIG. 4

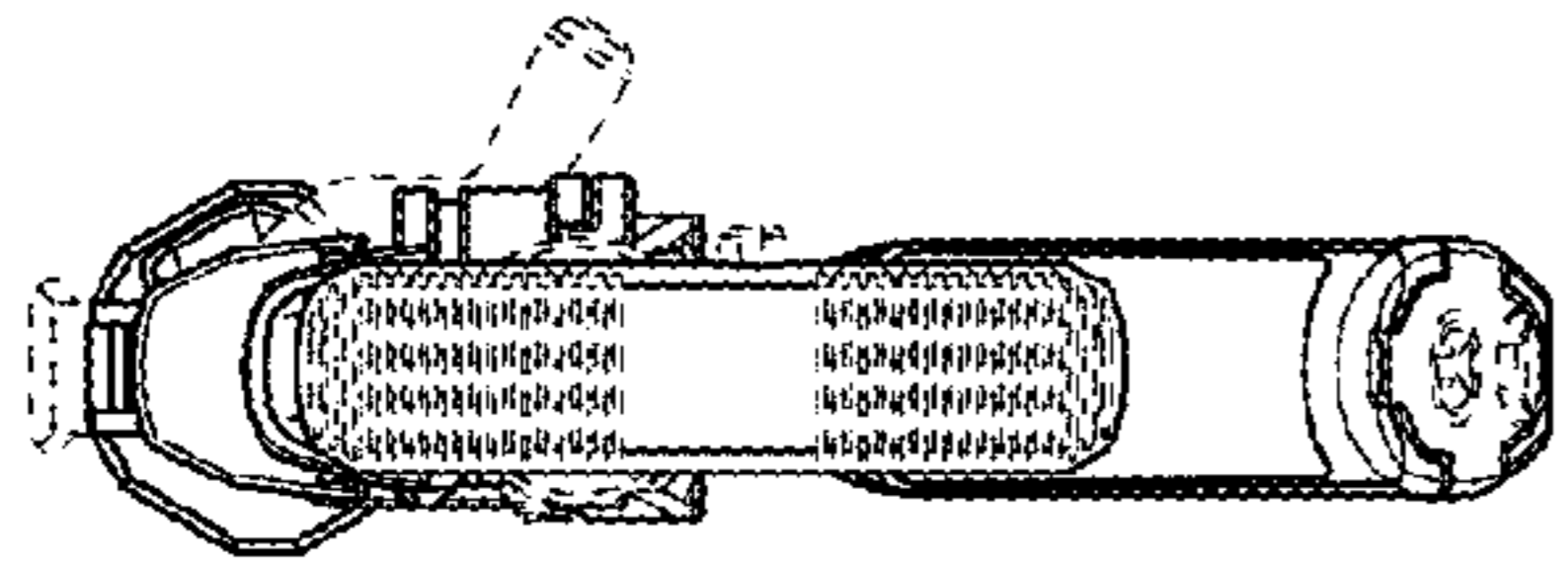


FIG. 5

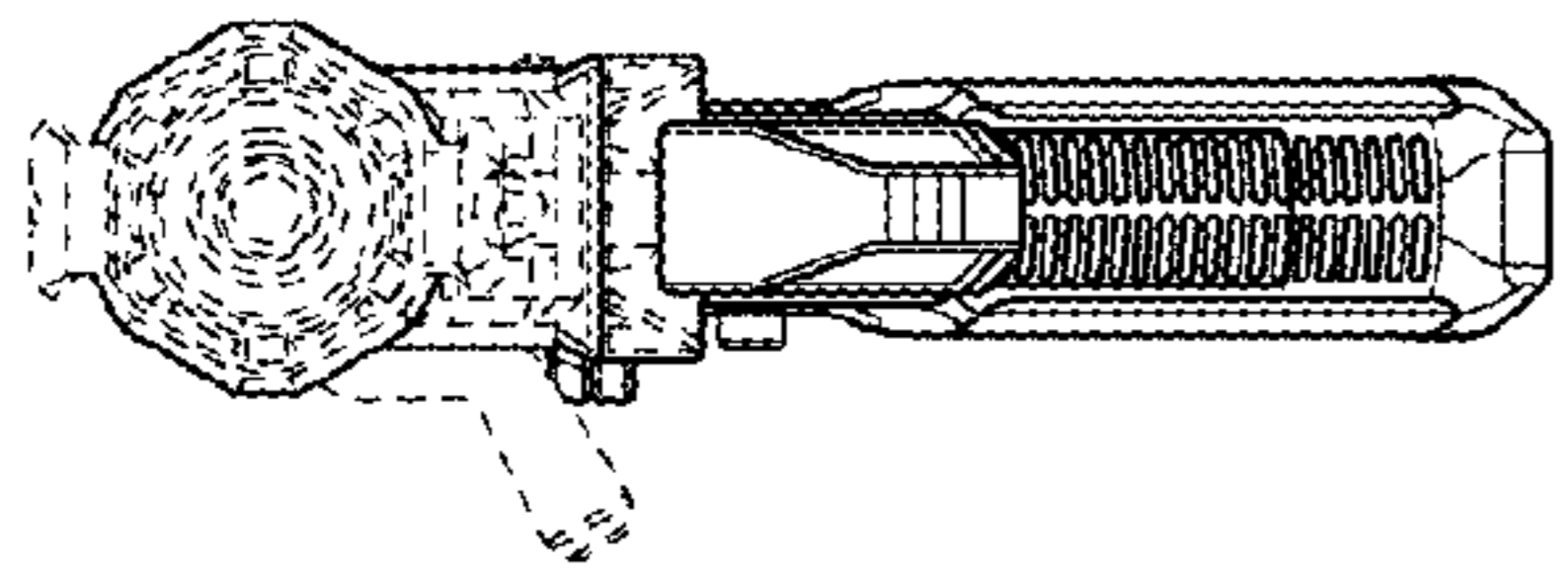


FIG. 6

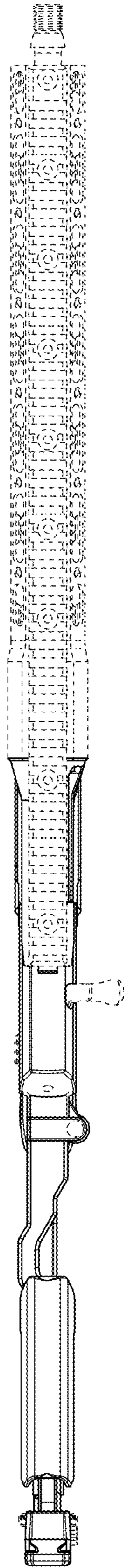


FIG. 7

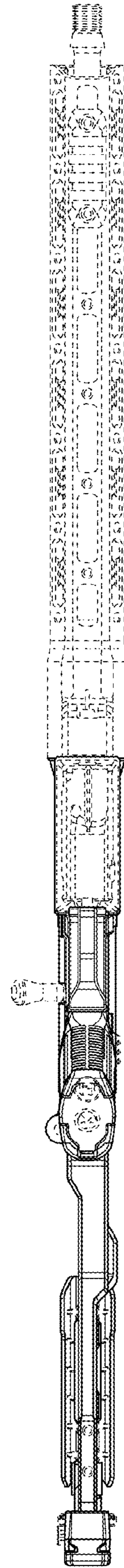


FIG. 8