

US00D871534S

(12) **United States Design Patent**  
**McPherson**

(10) **Patent No.:** **US D871,534 S**  
(45) **Date of Patent:** **\*\* Dec. 31, 2019**

(54) **ARCHERY BOW RISER**  
(71) Applicant: **MCP IP, LLC**, Sparta, WI (US)  
(72) Inventor: **Mathew A. McPherson**, Norwalk, WI (US)

7,987,954 B2 8/2011 McPherson  
8,109,261 B2 \* 2/2012 Grace, Jr. .... F41B 5/14  
124/91  
8,266,933 B2 \* 9/2012 Bishir, Jr. .... E05B 67/24  
124/86  
8,307,816 B2 \* 11/2012 Darlington .... F41B 5/14  
124/1

(73) Assignee: **MCP IP, LLC**, Sparta, WI (US)

(Continued)

(\*\*) Term: **15 Years**

**OTHER PUBLICATIONS**

(21) Appl. No.: **29/645,258**

“2019 Mathews Vertex Compound Bow With Switchweight Technology Review” [online]. Lancaster Archery Supply. [Published on Nov. 13, 2018]. Retrieved from the Internet: <<https://www.youtube.com/watch?v=PRTbBMDEORQ>>.\*

(22) Filed: **Apr. 24, 2018**

(Continued)

(51) **LOC (12) Cl.** ..... **22-01**

(52) **U.S. Cl.**

USPC ..... **D22/107**; D21/571

(58) **Field of Classification Search**

USPC ..... D22/100, 101, 102, 103, 104, 105, 106,  
D22/107, 108, 109, 110, 111, 199;  
D21/571, 573, 574, 575, 746  
CPC ..... F41C 23/14; F41C 23/20; F41C 23/04;  
F41C 23/00; F41C 23/10; F41C 27/00;  
F41C 7/00; F41C 23/06; F41C 3/00;  
F41B 5/10; F41B 5/14; F41B 5/0094;  
F41B 5/1469; F41B 5/00

See application file for complete search history.

*Primary Examiner* — Khawaja Anwar  
*Assistant Examiner* — Mojtaba Tehrani

(57) **CLAIM**

The ornamental design for an archery bow riser, as shown and described.

**DESCRIPTION**

(56) **References Cited**

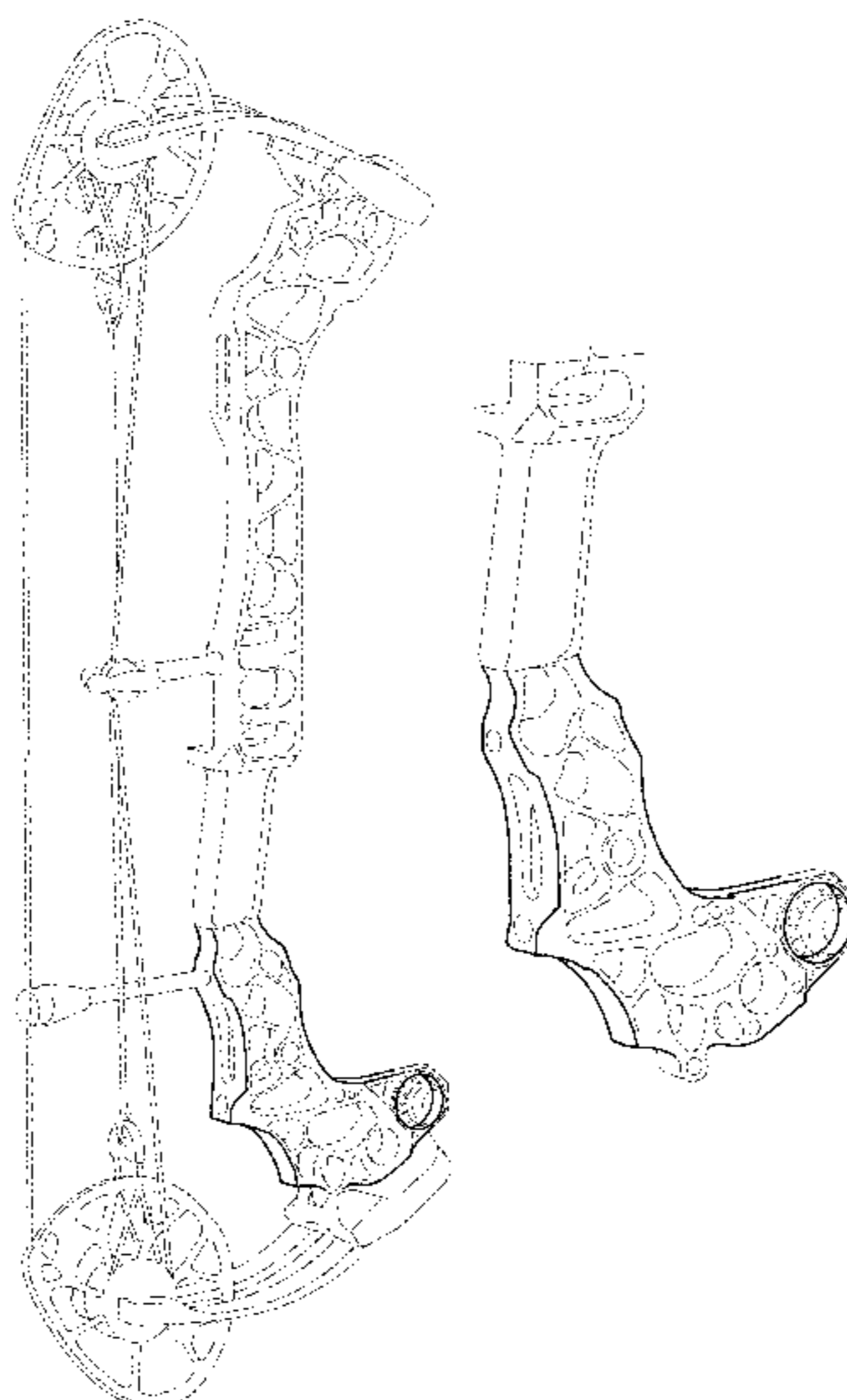
**U.S. PATENT DOCUMENTS**

6,257,220 B1 7/2001 McPherson  
6,382,201 B1 5/2002 McPherson  
6,543,432 B2 4/2003 Andrews  
6,550,467 B2 4/2003 Gallops, Jr.  
6,588,414 B2 7/2003 McMillan, III  
7,264,098 B2 9/2007 McPherson  
7,373,934 B2 \* 5/2008 Smith ..... F41B 5/10  
124/25.6  
7,784,452 B1 \* 8/2010 Kronengold ..... F41B 5/10  
124/23.1  
7,946,043 B2 \* 5/2011 Taboada ..... F41B 5/14  
124/87  
7,954,481 B2 6/2011 Barnard

FIG. 1 is a right-rear angled view of an archery bow riser in an environment of use, showing my new design;  
FIG. 2 is a right-rear angled view thereof;  
FIG. 3 is a right-side view thereof;  
FIG. 4 is a left-side view thereof;  
FIG. 5 is a front view thereof;  
FIG. 6 is a back view thereof;  
FIG. 7 is a top view thereof; and,  
FIG. 8 is a bottom view thereof.

The dash-dot broken lines in the Figures depict boundaries of the claimed design; the dash-dot-dot lines depict unclaimed portions of the bow only. The broken lines form no part of the claimed design.

**1 Claim, 3 Drawing Sheets**



(56)

**References Cited**

U.S. PATENT DOCUMENTS

8,371,283 B2 \* 2/2013 Grace ..... F41B 5/14  
124/25.6

8,448,633 B2 5/2013 McPherson

8,776,770 B2 \* 7/2014 Batdorf ..... F41B 5/10  
124/23.1

8,784,628 B2 \* 7/2014 Grace, Jr. .... F41B 5/1403  
124/25.6

8,820,304 B2 \* 9/2014 Batdorf ..... F41B 5/14  
124/25.6

8,839,775 B2 \* 9/2014 Wasilewski ..... F41B 5/1426  
124/89

9,046,317 B2 6/2015 McPherson

9,360,271 B1 6/2016 McPherson

10,175,024 B2 \* 1/2019 Walthert ..... F41B 5/1403

2002/0020403 A1 2/2002 Troubridge

2010/0083943 A1 \* 4/2010 Grace ..... F41B 5/10  
124/25.6

2010/0224178 A1 \* 9/2010 McPherson ..... F41B 5/1426  
124/25.6

2014/0116408 A1 \* 5/2014 McPherson ..... F41B 5/1426  
124/25.6

2014/0261359 A1 \* 9/2014 McPherson ..... F41B 5/1403  
124/25.6

2016/0040953 A1 \* 2/2016 Tulpa ..... F41B 5/1449  
124/86

2018/0135935 A1 \* 5/2018 McPherson ..... F41B 5/10

2018/0224237 A1 \* 8/2018 McPherson ..... F41B 5/10

2018/0231345 A1 \* 8/2018 McPherson ..... F41B 5/105

2018/0266786 A1 \* 9/2018 McPherson ..... F41B 5/1449

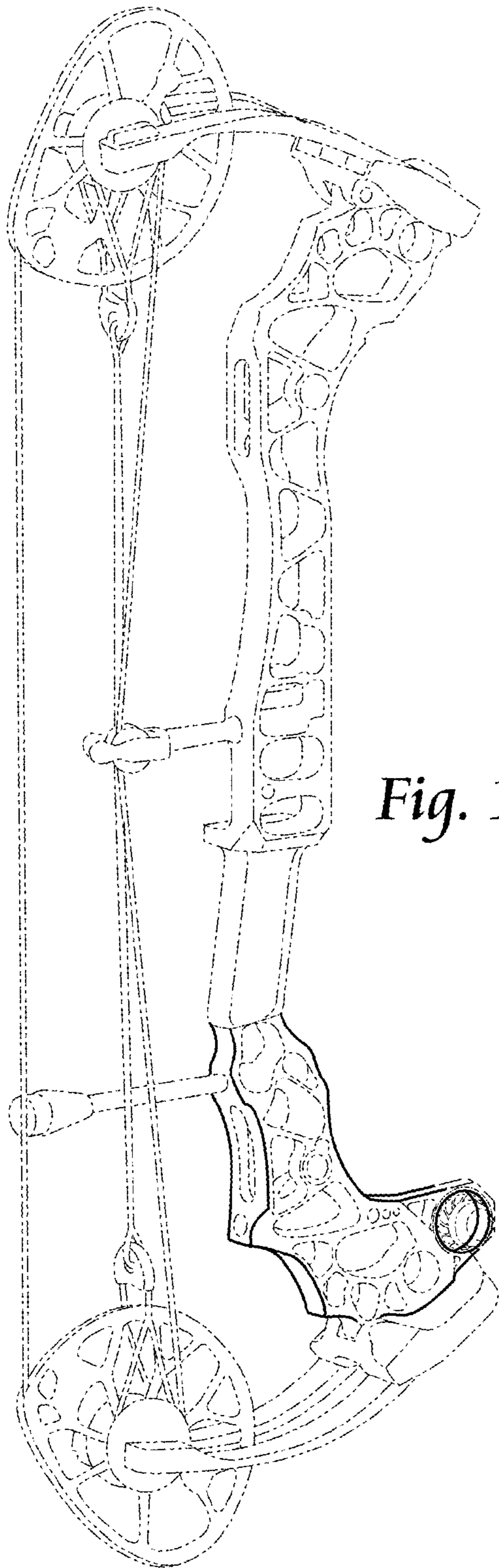
2018/0306550 A1 \* 10/2018 McPherson ..... F41B 5/1426

OTHER PUBLICATIONS

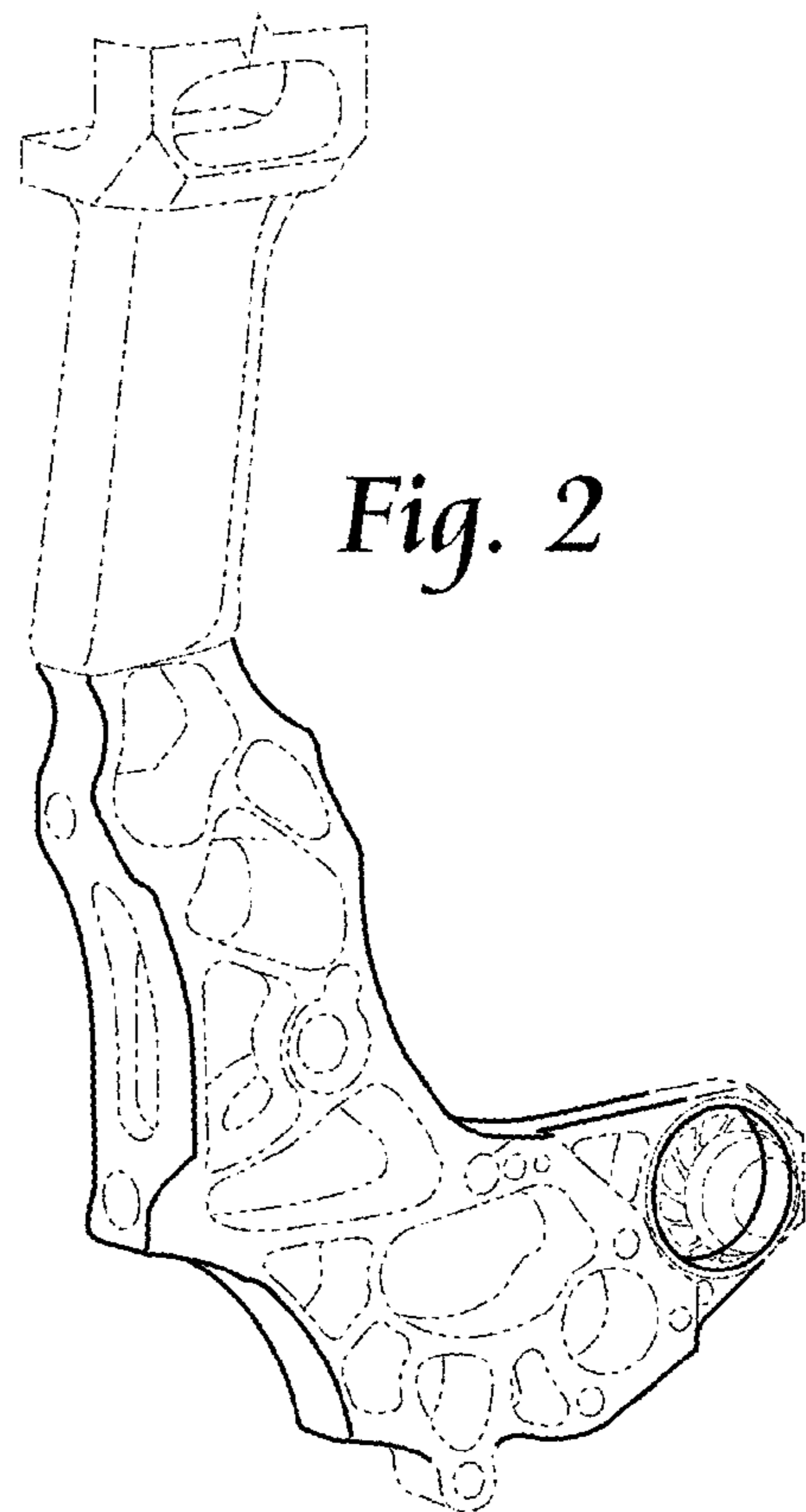
“Carbon Air® Stealth EC” [online]. pse-archery.com. [Retrieved on Feb. 16, 2019]. Retrieved from the Internet: <<https://www.pse-archery.com/carbon-air-stealth-ec/>>.\*

2009 Annual Catalog, Mathews Archery, Inc., 57 Pages.

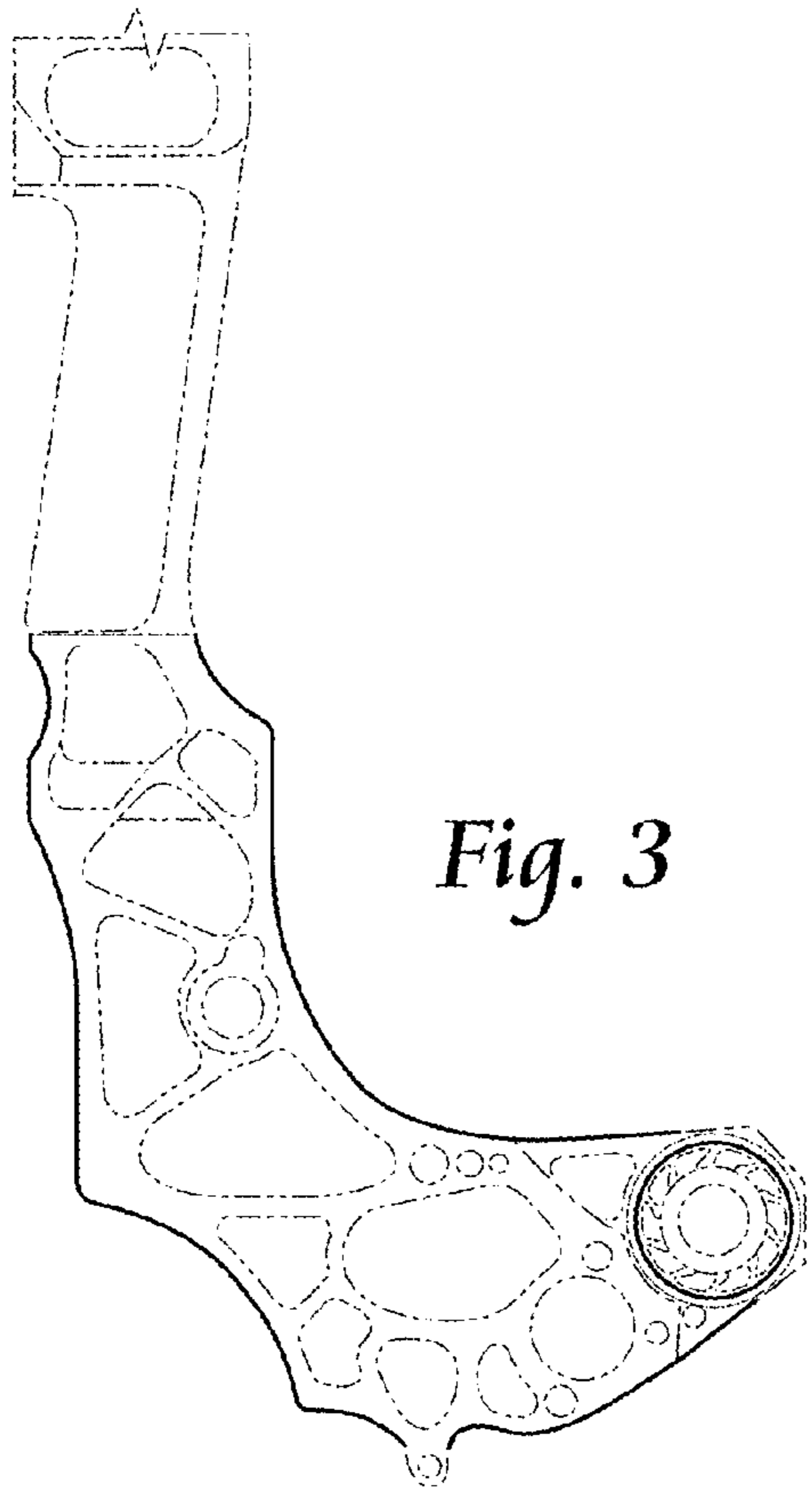
\* cited by examiner



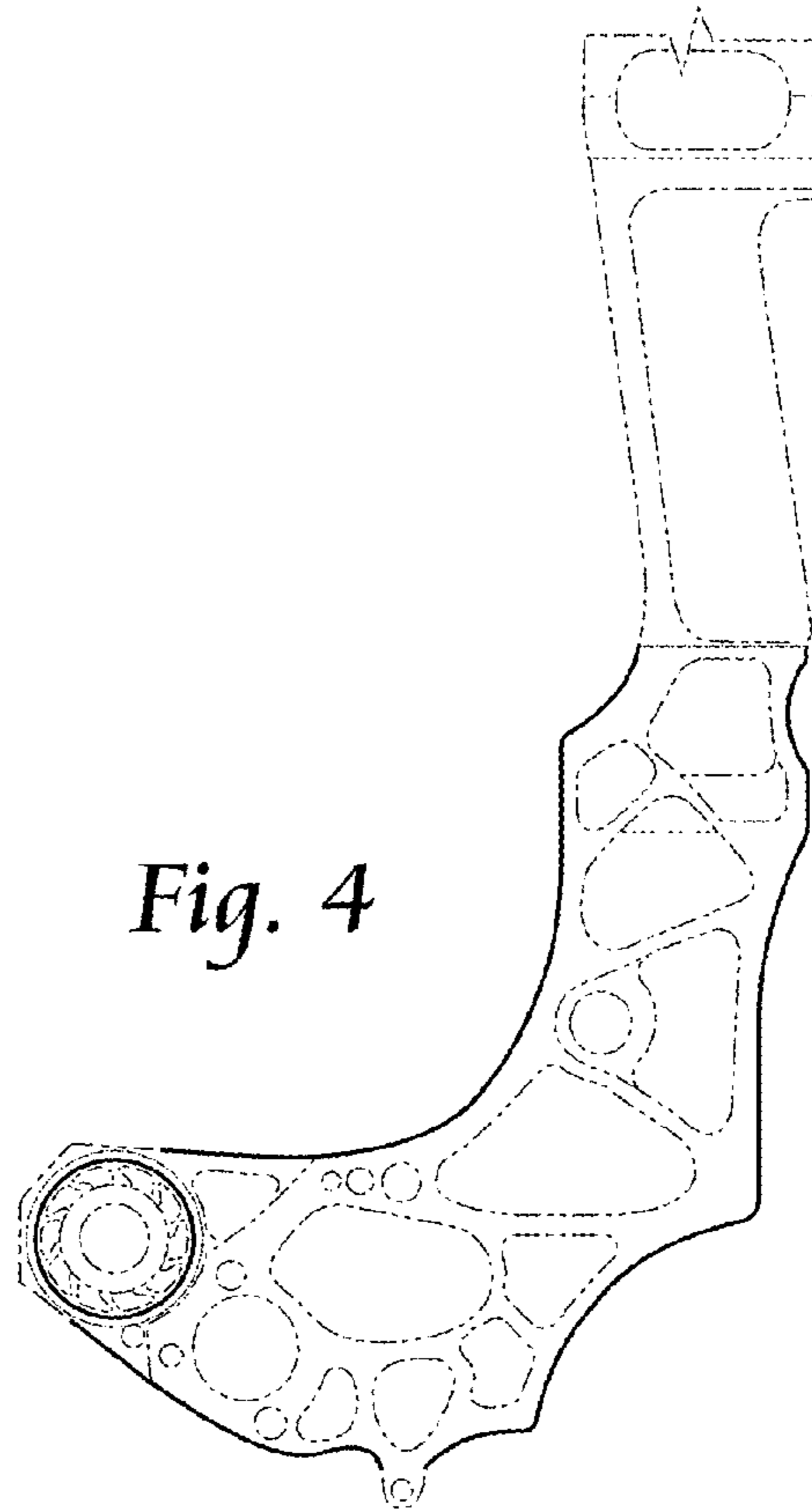
*Fig. 1*



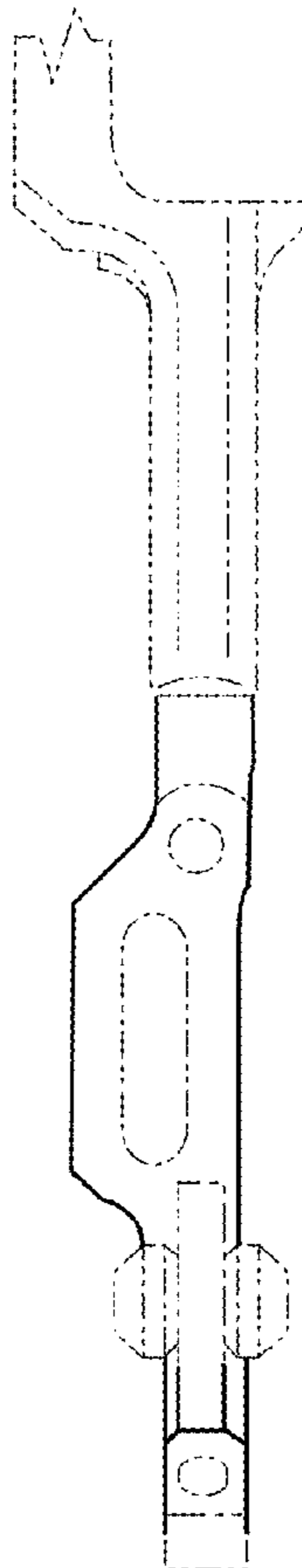
*Fig. 2*



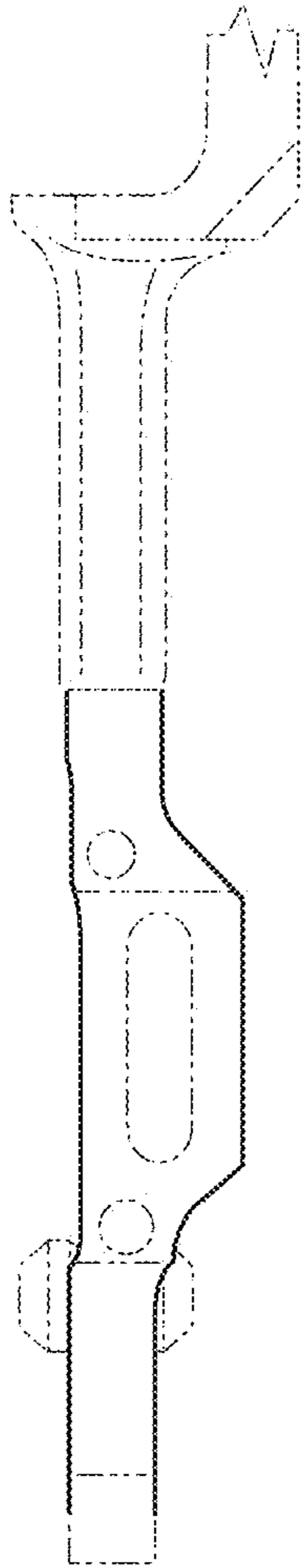
*Fig. 3*



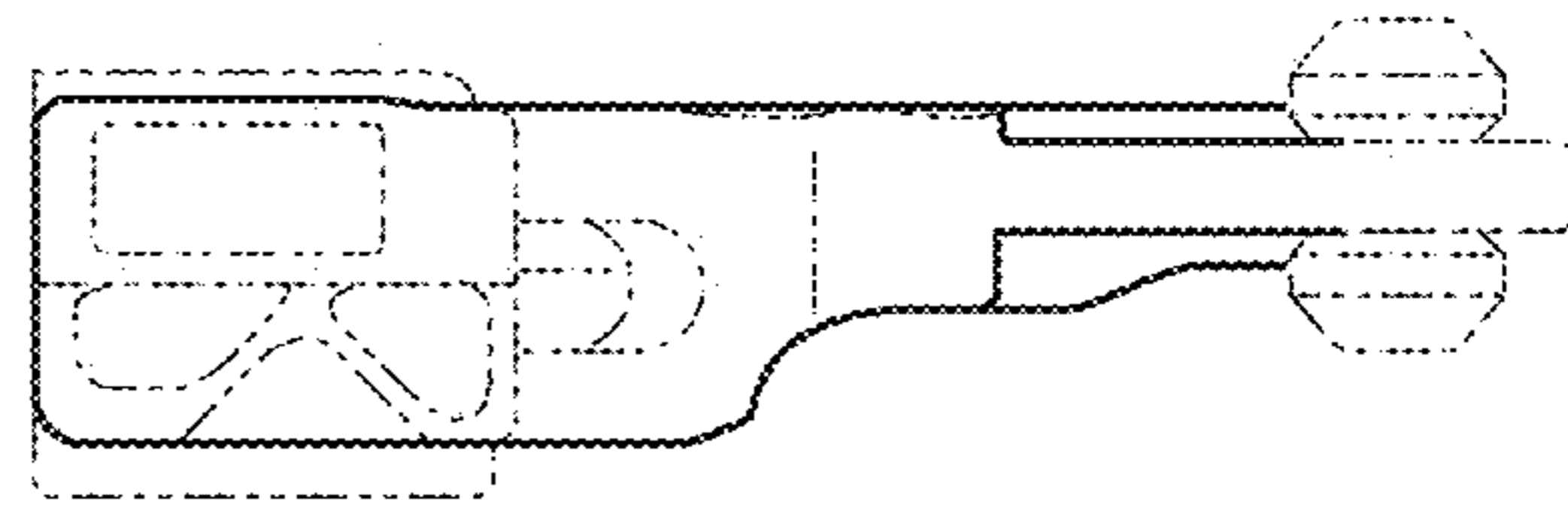
*Fig. 4*



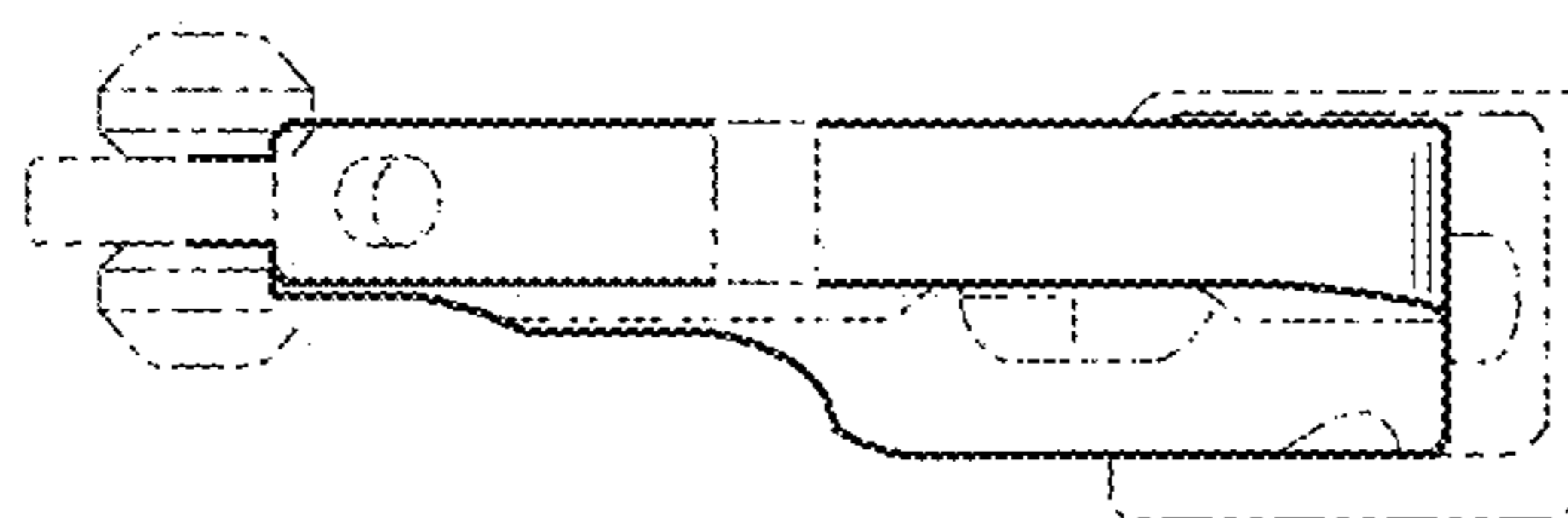
*Fig. 5*



*Fig. 6*



*Fig. 7*



*Fig. 8*