



US00D871532S

(12) **United States Design Patent** (10) **Patent No.:** **US D871,532 S**  
**Huang** (45) **Date of Patent:** **\*\* Dec. 31, 2019**

- (54) **POWERED WHEELED BOARD**
- (71) Applicant: **RAZOR USA LLC**, Cerritos, CA (US)
- (72) Inventor: **Joey Chih-Wei Huang**, Temple City, CA (US)
- (73) Assignee: **RAZOR USA LLC**, Cerritos, CA (US)
- (\*\*) Term: **15 Years**
- (21) Appl. No.: **29/664,559**
- (22) Filed: **Sep. 26, 2018**

- 4,060,253 A 11/1977 Oldendorf
- 4,076,267 A 2/1978 Lipscomb
- 4,082,306 A 4/1978 Sheldon
- 4,092,033 A 5/1978 Swain
- 4,093,252 A 6/1978 Rue
- (Continued)

**FOREIGN PATENT DOCUMENTS**

- AU 2007214338 3/2007
- CA 2596570 10/2007
- (Continued)

**OTHER PUBLICATIONS**

“About: Skateboarding; Other Boardsports”, <http://skateboard.about.com/cs/fringeboarding/gr/?once-true&>;

(Continued)

*Primary Examiner* — Cynthia M. Chin  
 (74) *Attorney, Agent, or Firm* — Knobbe, Martens, Olson & Bear LLP

**Related U.S. Application Data**

- (63) Continuation of application No. 29/633,000, filed on Jan. 11, 2018, now Pat. No. Des. 829,838, which is a continuation of application No. 29/576,467, filed on Sep. 2, 2016, now abandoned.
- (51) **LOC (12) Cl.** ..... **21-02**
- (52) **U.S. Cl.**  
USPC ..... **D21/765**
- (58) **Field of Classification Search**  
USPC ..... D21/419, 421, 423, 426, 760, 765, 766, D21/769, 771, 776, 803  
CPC ..... A63C 17/01; A63C 17/011; A63C 17/012; A63C 17/014; A63C 17/015; A63C 17/02; A63C 17/26; A63C 5/003; A63B 69/0022; B60Q 1/326; B62K 3/001  
See application file for complete search history.

(57) **CLAIM**

The ornamental design for a powered wheeled board, as shown and described.

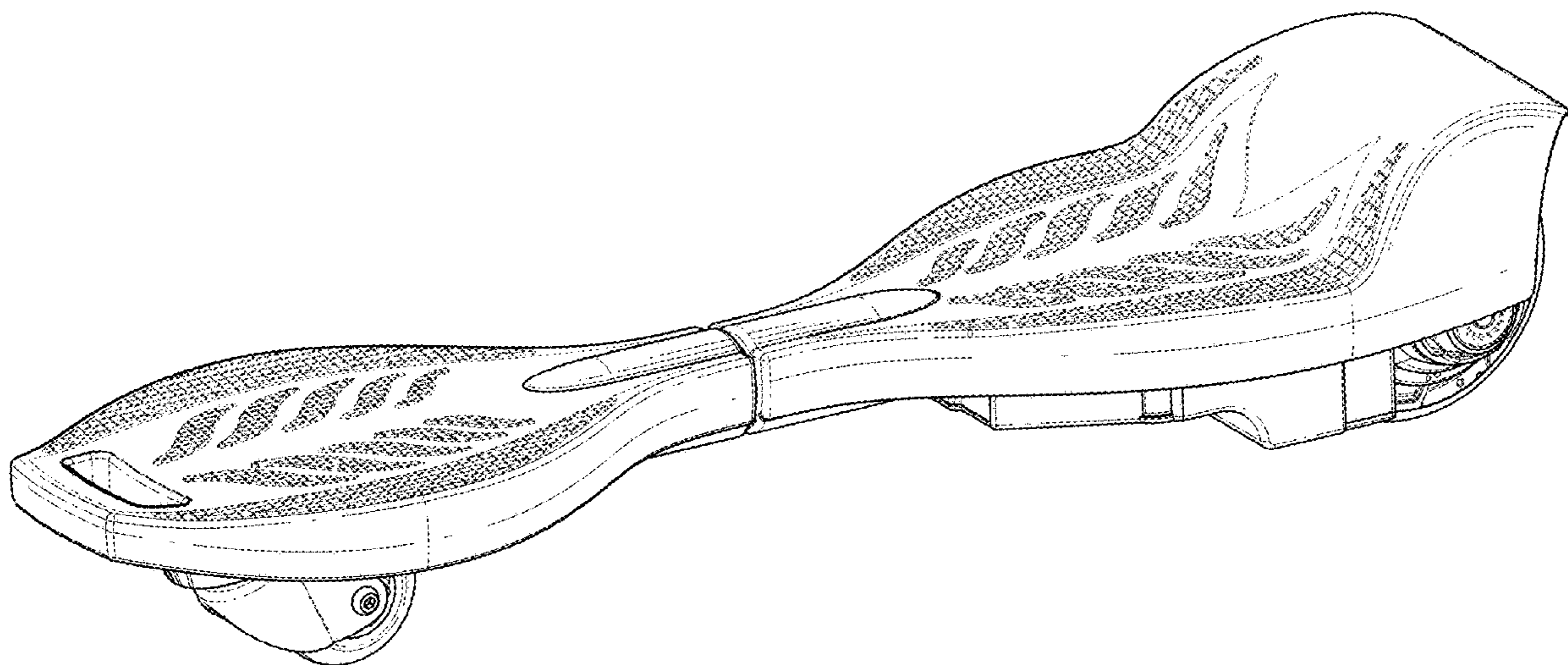
**DESCRIPTION**

FIG. 1 is a top, front, left-side perspective view showing a powered wheeled board of my design;  
 FIG. 2 is a top view thereof;  
 FIG. 3 is a bottom view thereof;  
 FIG. 4 is a left-side view thereof;  
 FIG. 5 is a right-side view thereof;  
 FIG. 6 is a front view thereof; and,  
 FIG. 7 is a rear view thereof.

The broken lines, which include the broken lines forming the grid pattern on top of the powered wheeled board, are for the purpose of illustrating portions of the article that form no part of the claimed design.

- (56) **References Cited**  
U.S. PATENT DOCUMENTS
- 2,051,762 A 8/1936 Vincent
- 3,399,904 A 9/1968 Schinke
- 3,399,906 A 9/1968 Portnoff
- 3,771,811 A 11/1973 Bueno
- 3,982,766 A 9/1976 Budge
- D243,206 S 1/1977 Sherwood
- D246,065 S 10/1977 Saul

**1 Claim, 5 Drawing Sheets**



(56)

## References Cited

## U.S. PATENT DOCUMENTS

D250,492 S	12/1978	Kish	D552,201 S	10/2007	Kwak
4,140,326 A	2/1979	Huber	D556,283 S	11/2007	Hamborg et al.
4,245,848 A	1/1981	Dudouyt	7,325,819 B2	2/2008	Kwak
4,295,656 A	10/1981	Moore	D564,613 S	3/2008	Hamborg
4,359,231 A	11/1982	Mulcahy	7,338,056 B2	3/2008	Chen et al.
4,411,442 A	10/1983	Rills	7,367,572 B2	5/2008	Jiang
4,451,055 A	5/1984	Lee	D572,332 S	7/2008	Sramek et al.
4,458,907 A	7/1984	Meredith	D577,789 S	9/2008	Mazur
4,915,403 A	4/1990	Wild	7,600,768 B2	10/2009	Chen
4,921,513 A	5/1990	Parten	D607,521 S	1/2010	Chables et al.
4,930,794 A	6/1990	Chan	D607,524 S	1/2010	Marciano
4,930,924 A	6/1990	Hunt	D608,851 S	1/2010	Hillman
4,955,626 A	9/1990	Smith	7,641,213 B1	1/2010	Chen
5,098,087 A	3/1992	Matile	D614,714 S	4/2010	Walworth
5,160,155 A	11/1992	Barachet	7,766,351 B2	8/2010	Chen et al.
5,267,743 A	12/1993	Smisek	7,775,534 B2	8/2010	Chen et al.
D345,406 S	3/1994	Shankland	D623,701 S	9/2010	Dalgaard
D346,418 S	4/1994	Fischbach	7,891,680 B2	2/2011	Chen et al.
5,330,026 A	7/1994	Hsu et al.	D638,494 S	5/2011	Scolari et al.
5,347,681 A	9/1994	Wattron et al.	8,047,556 B2	11/2011	Jang et al.
5,419,570 A	5/1995	Bollotte	8,061,725 B1	11/2011	Hawkins
5,458,351 A	10/1995	Yu	8,118,319 B2	2/2012	Hsieh
5,492,345 A	2/1996	Kruczek	D655,772 S	3/2012	Bin
5,505,474 A	4/1996	Yeh	D673,233 S	12/2012	Baggett
5,540,455 A	7/1996	Chambers	8,360,475 B2	1/2013	Cristiano
5,549,331 A	8/1996	Yun	8,408,565 B2	4/2013	An
5,566,956 A	10/1996	Wang	8,414,000 B2	4/2013	Chen
5,601,299 A	2/1997	Yun	8,469,376 B2	6/2013	Kristiansen
5,622,759 A	4/1997	Fuster	D692,079 S	10/2013	Mackay
5,707,068 A	1/1998	Bradfield	D692,080 S	10/2013	Hamborg et al.
5,826,895 A	10/1998	Bradfield	8,632,084 B2	1/2014	Lovley, II et al.
5,853,182 A	12/1998	Finkle	D698,881 S	2/2014	Hamborg
5,855,385 A	1/1999	Hambusch	D699,803 S	2/2014	Yamabe
5,884,983 A	3/1999	Wu	D705,372 S	5/2014	Harris
5,893,425 A	4/1999	Finkle	8,720,916 B2	5/2014	Bermal
D410,515 S	6/1999	Alexander	8,857,831 B1	10/2014	Rotondo
D413,954 S	9/1999	Gerlach	8,915,506 B2	12/2014	Piaceski et al.
5,984,328 A	11/1999	Tipton	D724,166 S	3/2015	Hamborg et al.
D422,661 S	4/2000	Edwards et al.	D728,048 S	4/2015	Stover
D422,662 S	4/2000	Edwards et al.	D739,906 S	9/2015	Chen
6,050,357 A	4/2000	Staelin	9,186,570 B1	11/2015	Wells
6,056,302 A	5/2000	Smith	9,302,173 B2	4/2016	DiCarlo
6,059,303 A	5/2000	Bradfield	D770,585 S	11/2016	Desberg
6,102,415 A	8/2000	Stewardson	9,492,731 B2	11/2016	Marusiak et al.
6,193,249 B1	2/2001	Buscaglia	D785,115 S	4/2017	Ying
6,206,389 B1	3/2001	Yagi	D790,015 S	6/2017	Tan
6,254,113 B1	7/2001	Dornan	9,682,309 B2	6/2017	Huang
6,293,565 B1	9/2001	Bouchard et al.	D792,931 S	7/2017	Desberg
6,315,304 B1	11/2001	Kirkland et al.	10,022,615 B2	7/2018	Huang
6,338,494 B1	1/2002	Killian	D827,748 S	9/2018	Desberg
D456,047 S	4/2002	Mandic	D829,838 S	10/2018	Huang
6,398,237 B1	6/2002	Attey	2002/0043774 A1	4/2002	Chou
6,419,248 B1	7/2002	Kay	2002/0067015 A1	6/2002	Tierney et al.
6,419,249 B1	7/2002	Chen	2002/0149166 A1	10/2002	Potter
6,428,022 B1	8/2002	Namiki	2002/0195788 A1	12/2002	Tierney et al.
6,481,724 B1	11/2002	Whipp	2003/0124923 A1	7/2003	Mercer
6,485,044 B1	11/2002	Blake	2003/0155725 A1	8/2003	Roderick
6,494,467 B1	12/2002	Menges	2003/0155733 A1	8/2003	Tan et al.
6,502,850 B1	1/2003	Schaller et al.	2004/0021281 A1	2/2004	Stephens
6,572,130 B2	6/2003	Greene et al.	2004/0144582 A1	7/2004	Baker et al.
6,669,215 B2	12/2003	Laporte	2004/0163867 A1	8/2004	Hillman
6,863,292 B1	3/2005	Paasch et al.	2004/0212160 A1	10/2004	Roderick
D503,763 S	4/2005	Morgan	2004/0262872 A1	12/2004	Kang
D506,427 S	6/2005	Weber	2006/0032682 A1	2/2006	Hillman
6,910,698 B2	6/2005	Turner et al.	2006/0032685 A1	2/2006	Koide
6,976,687 B2	12/2005	Beleki, Jr.	2006/0038361 A1	2/2006	Sano
6,979,006 B2	12/2005	Pierron	2006/0049595 A1	3/2006	Crigler
7,044,486 B2	5/2006	Wright	2006/0055135 A1	3/2006	Tracewell et al.
7,053,289 B2	5/2006	Iwai et al.	2006/0055137 A1	3/2006	Jiang
7,083,178 B2	8/2006	Potter	2006/0163830 A1	7/2006	Kwak
7,093,842 B2	8/2006	Potter	2007/0001414 A1	1/2007	Kang
7,182,360 B2	2/2007	Paasch et al.	2007/0035102 A1	2/2007	McClain
7,195,259 B2	3/2007	Gang	2007/0132199 A1	6/2007	Smith
7,198,280 B2	4/2007	Hara	2007/0252355 A1	11/2007	Chen et al.
7,213,823 B1	5/2007	Vujtech	2007/0257459 A1	11/2007	Gang
			2007/0272465 A1	11/2007	Su
			2007/0273118 A1	11/2007	Conrad
			2007/0296164 A1	12/2007	Roderick
			2009/0045598 A1	2/2009	Lee

(56)

References Cited

U.S. PATENT DOCUMENTS

2009/0058028	A1	3/2009	Chen	
2009/0200764	A1*	8/2009	Jang .....	A63C 17/0033 280/87.042
2009/0295111	A1	12/2009	O'Rourke	
2010/0225080	A1	9/2010	Smith	
2010/0253027	A1	10/2010	Chen et al.	
2011/0037238	A1	2/2011	Devine	
2011/0187069	A1	8/2011	Marcel	
2011/0209932	A1	9/2011	Takenaka et al.	
2012/0187648	A1	7/2012	Chen	
2013/0001910	A1	1/2013	Hsu	
2014/0210175	A1	7/2014	Hsu	
2016/0332062	A1	11/2016	Wu et al.	
2018/0296907	A1	10/2018	Huang	
2019/0176019	A1	6/2019	Huang	

FOREIGN PATENT DOCUMENTS

CN	101309730	11/2008
CN	201205442	3/2009
CN	103707972 A	4/2014
CN	203832655 U	9/2014
DE	202008012754	1/2009
DK	176806	10/2009
EP	1511541	3/2005
EP	1679101	7/2006
GB	2318519	4/1998
GB	2464676	4/2010
JP	H01-117385 U	8/1989
JP	2000-500369	1/2000
JP	2001-029663	2/2001
JP	2005-537820	12/2005
KR	10-20050060368	6/2005
KR	20-0400315 Y1	11/2005
KR	10-200410530	3/2006

KR	200 410 530 Y1	3/2006
KR	10-0921839	10/2009
KR	10-20010110239	12/2011
SU	1405865	4/1986
TW	247446	5/1995
TW	266104	12/1995
WO	WO 1993/01870 A1	2/1993
WO	WO 1997/018865	5/1997
WO	WO 2002/040116	5/2002
WO	WO 2003/092831	11/2003
WO	WO 2004/105901 A1	12/2004
WO	WO 2006/022472	3/2006
WO	WO 2007/102645	9/2007
WO	WO 2007/117092	10/2007
WO	WO 2007/127554	11/2007
WO	WO 2007/139356	12/2007
WO	WO 2009/036074	3/2009
WO	WO 2009/100722	8/2009
WO	WO 2010/019627	2/2010
WO	WO 2016/086066	6/2016
WO	WO 2018/195103	10/2018

OTHER PUBLICATIONS

About: Skateboarding; The Wave <http://skateboard.about.com/cs/fringeboarding/gr/XBoard.html>.

International Preliminary Report on Patentability for International Application No. PCT/US2015/062534, dated Jun. 8, 2017, in 8 pages.

International Search Report and Written Opinion for International Application No. PCT/US2015/062534 dated Feb. 15, 2016.

Micelle' Electric Wave Board [XinCheJian], URL—<http://xinchejian.com/2011/05/07/micelles-electric-wave-board/>.

The Wave, Streetsurfing, <http://www.street surfing.com/wave/ skating .html>.

\* cited by examiner

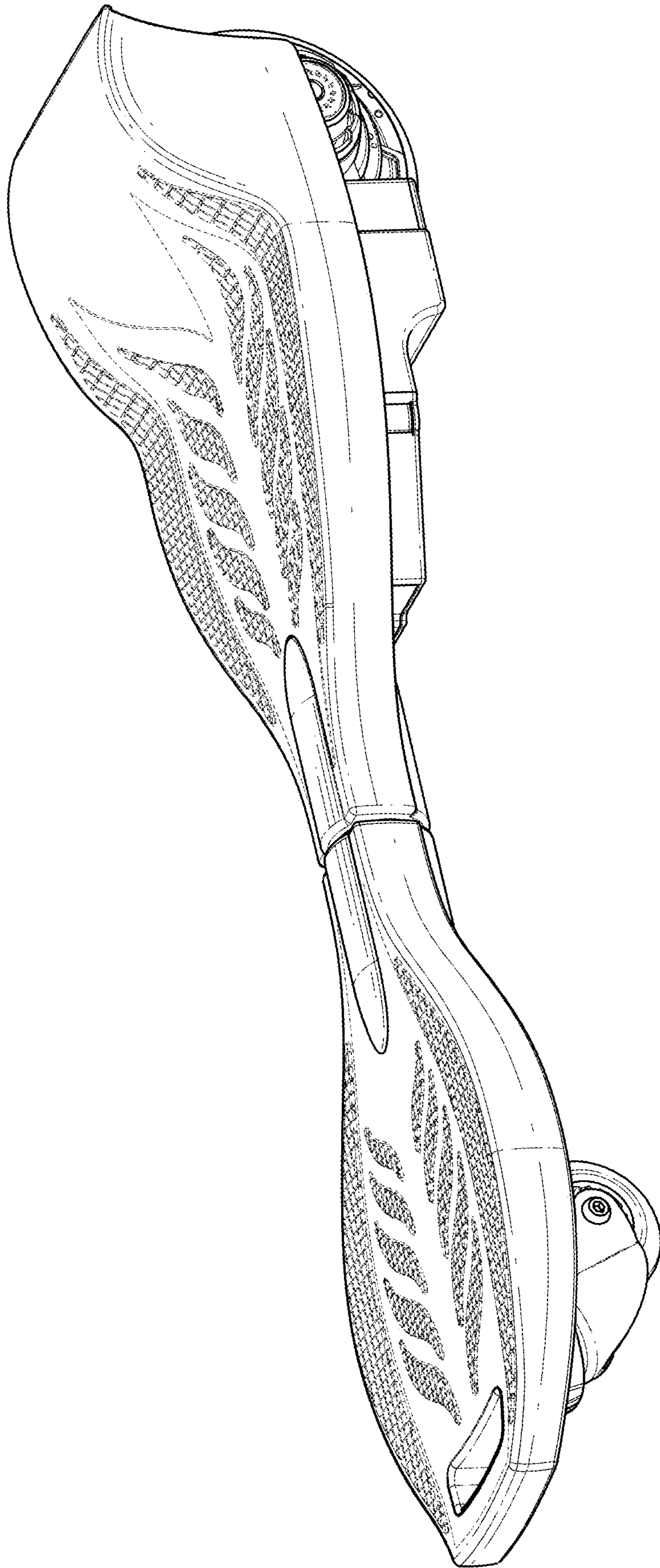


FIG. 1

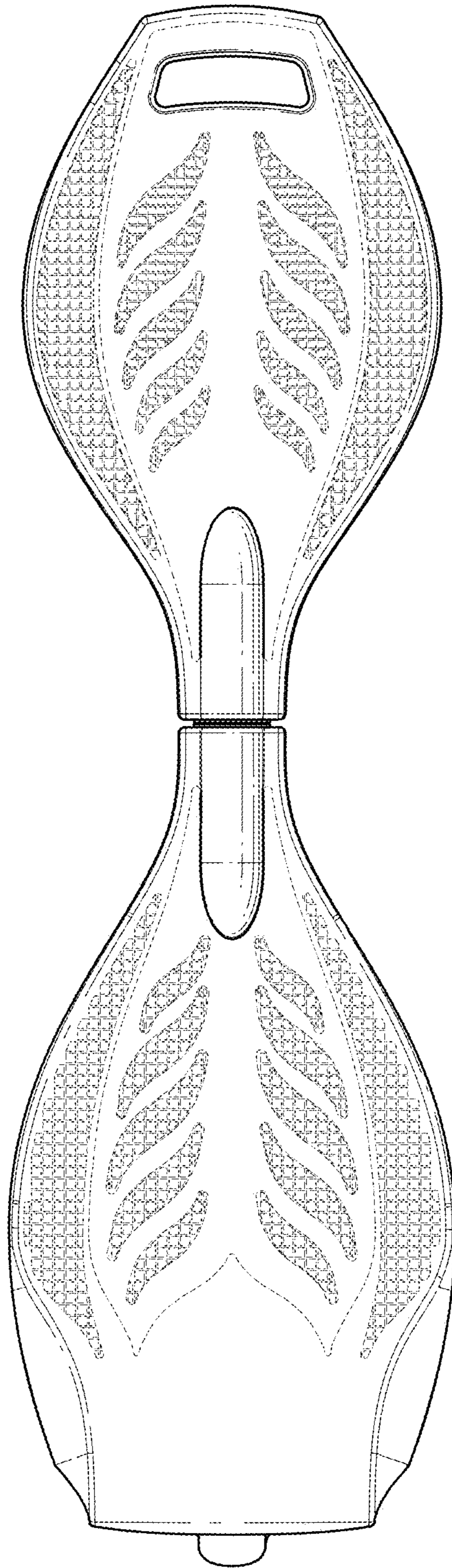


FIG. 2

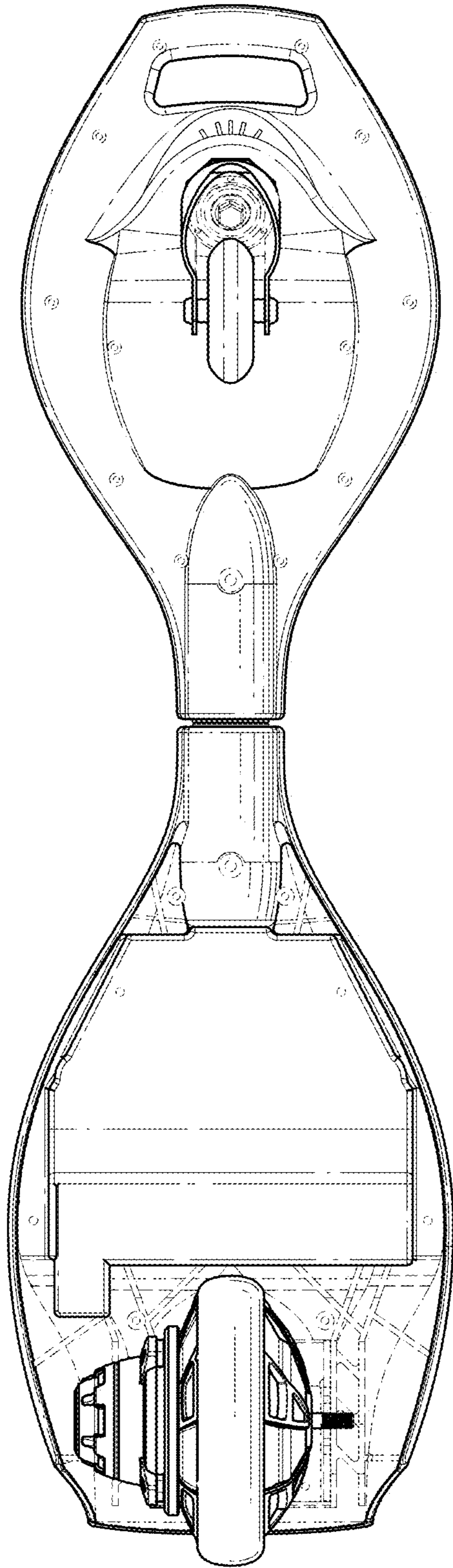


FIG. 3

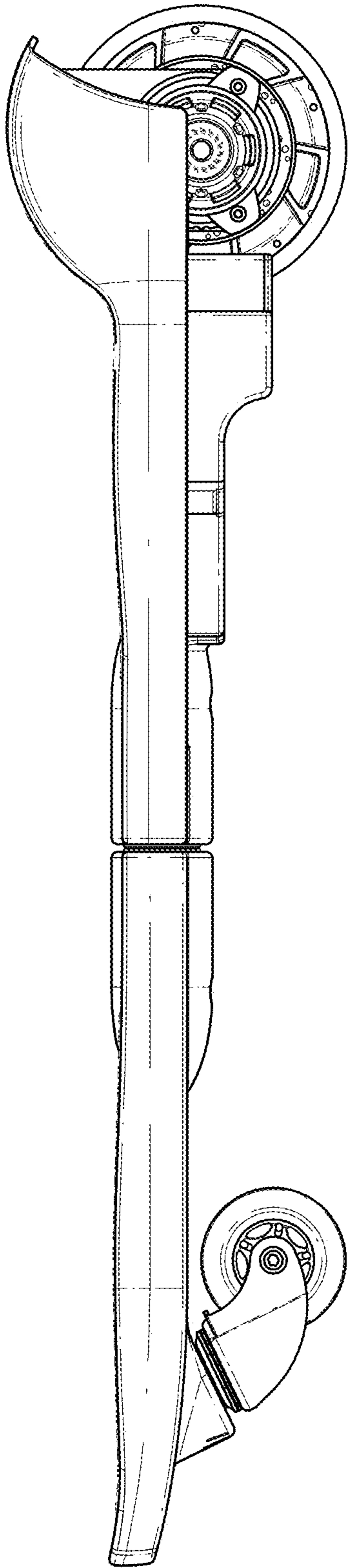


FIG. 4

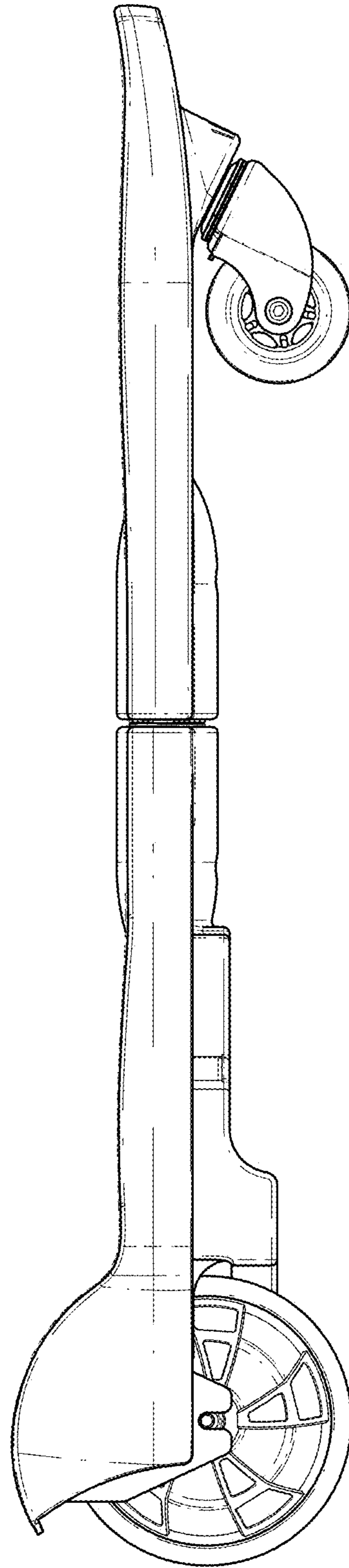
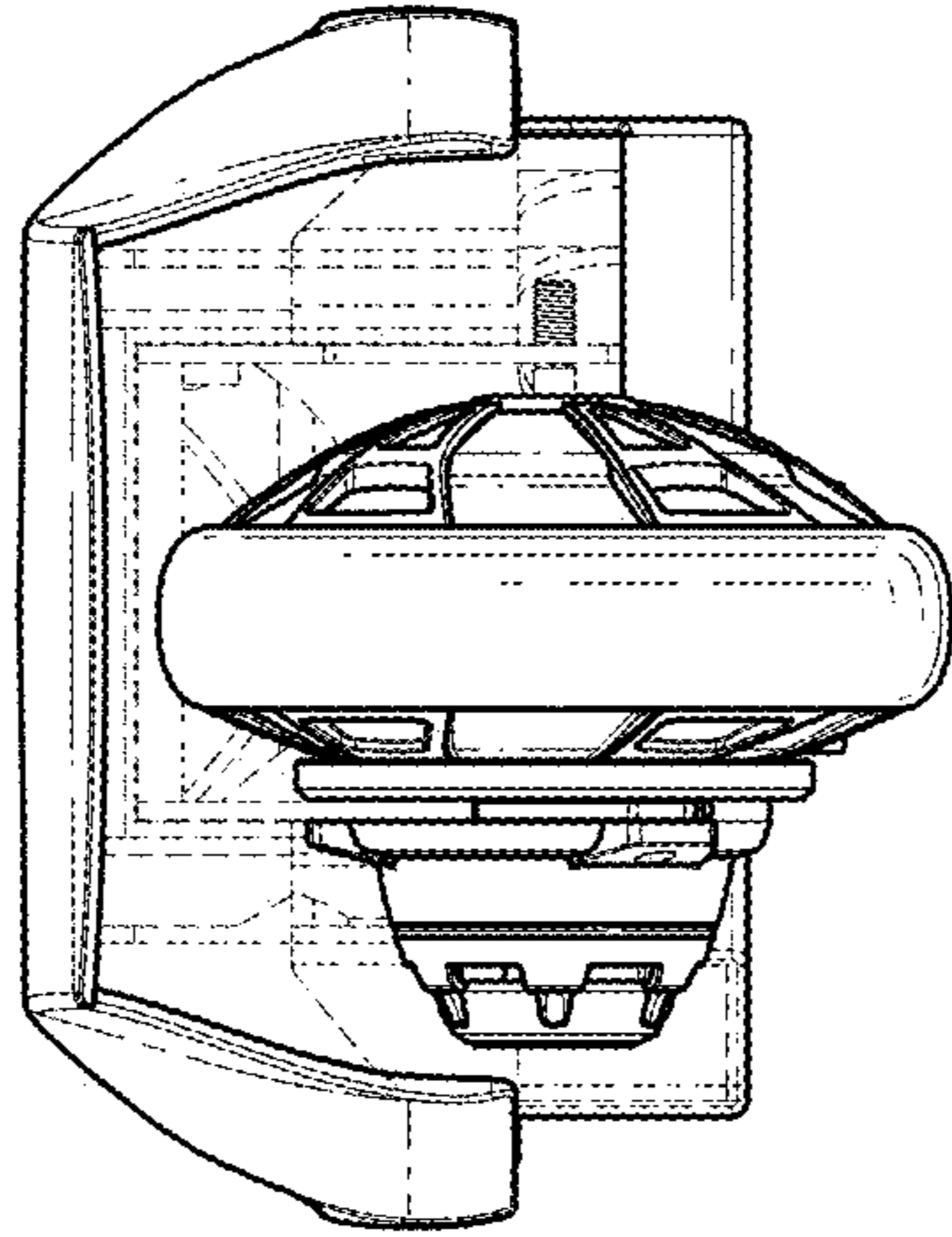
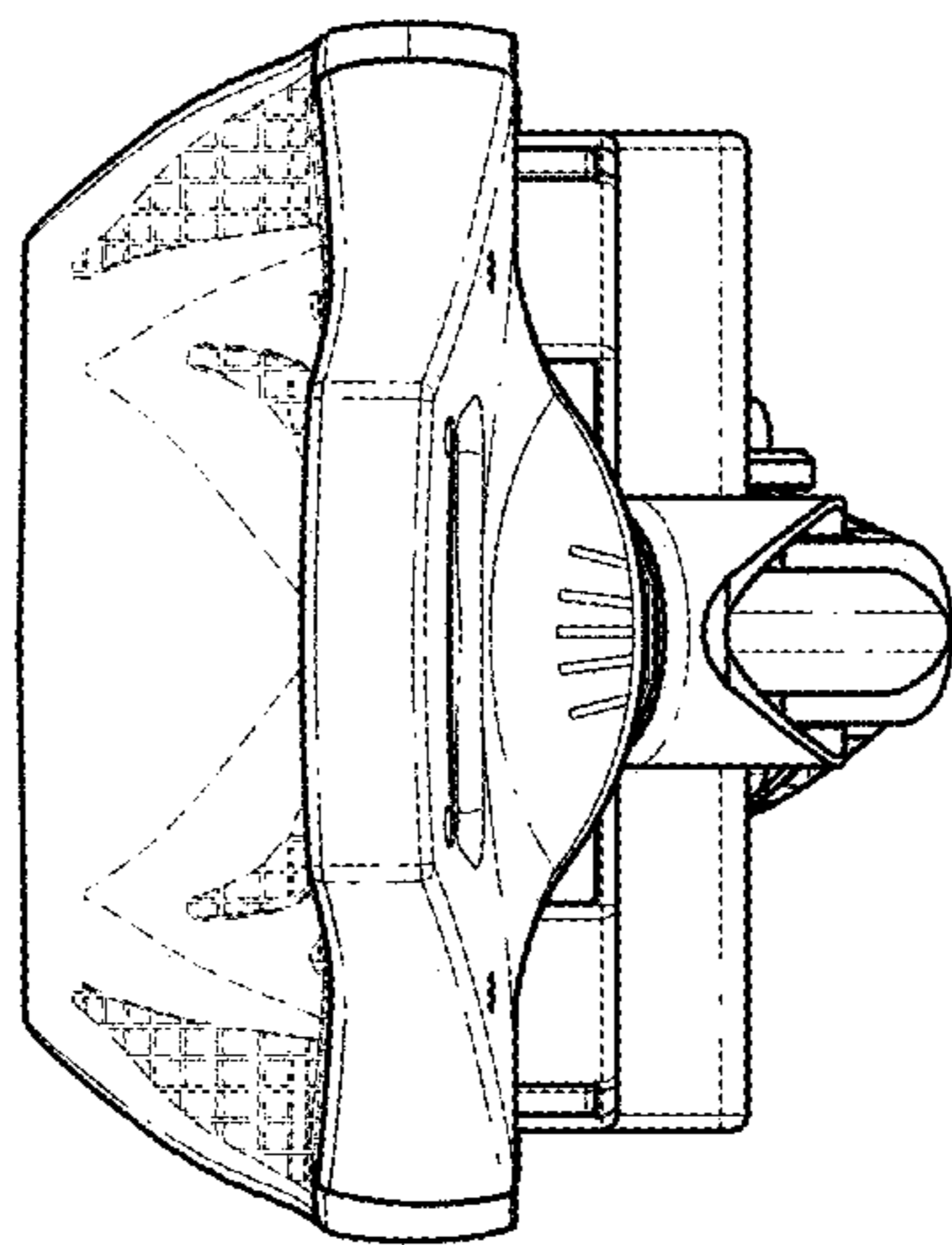


FIG. 5



*FIG. 7*



*FIG. 6*