



US00D871529S

(12) **United States Design Patent** (10) **Patent No.:** **US D871,529 S**
Boring (45) **Date of Patent:** **** Dec. 31, 2019**

(54) **GAME POLE**

(71) Applicant: **Gary A. Boring**, Cody, WY (US)

(72) Inventor: **Gary A. Boring**, Cody, WY (US)

(**) Term: **15 Years**

(21) Appl. No.: **29/640,019**

(22) Filed: **Mar. 12, 2018**

(51) **LOC (12) Cl.** **21-02**

(52) **U.S. Cl.**
USPC **D21/700**

(58) **Field of Classification Search**
USPC D21/436, 441, 443, 699, 700, 706, 790
CPC A63B 7/00; A63B 7/06
See application file for complete search history.

(56) **References Cited**

U.S. PATENT DOCUMENTS

722,220 A *	3/1903	Finney	A63B 69/02 463/47.1
1,784,818 A *	12/1930	Bump	A63B 63/00 473/410
1,936,220 A *	11/1933	Ziebarth	A63B 63/00 473/411

(Continued)

FOREIGN PATENT DOCUMENTS

WO WO2011011770 A1 1/2011

Primary Examiner — George D. Kirschbaum

Assistant Examiner — Joseph J Kukella

(74) *Attorney, Agent, or Firm* — Neustel Law Offices

(57) **CLAIM**

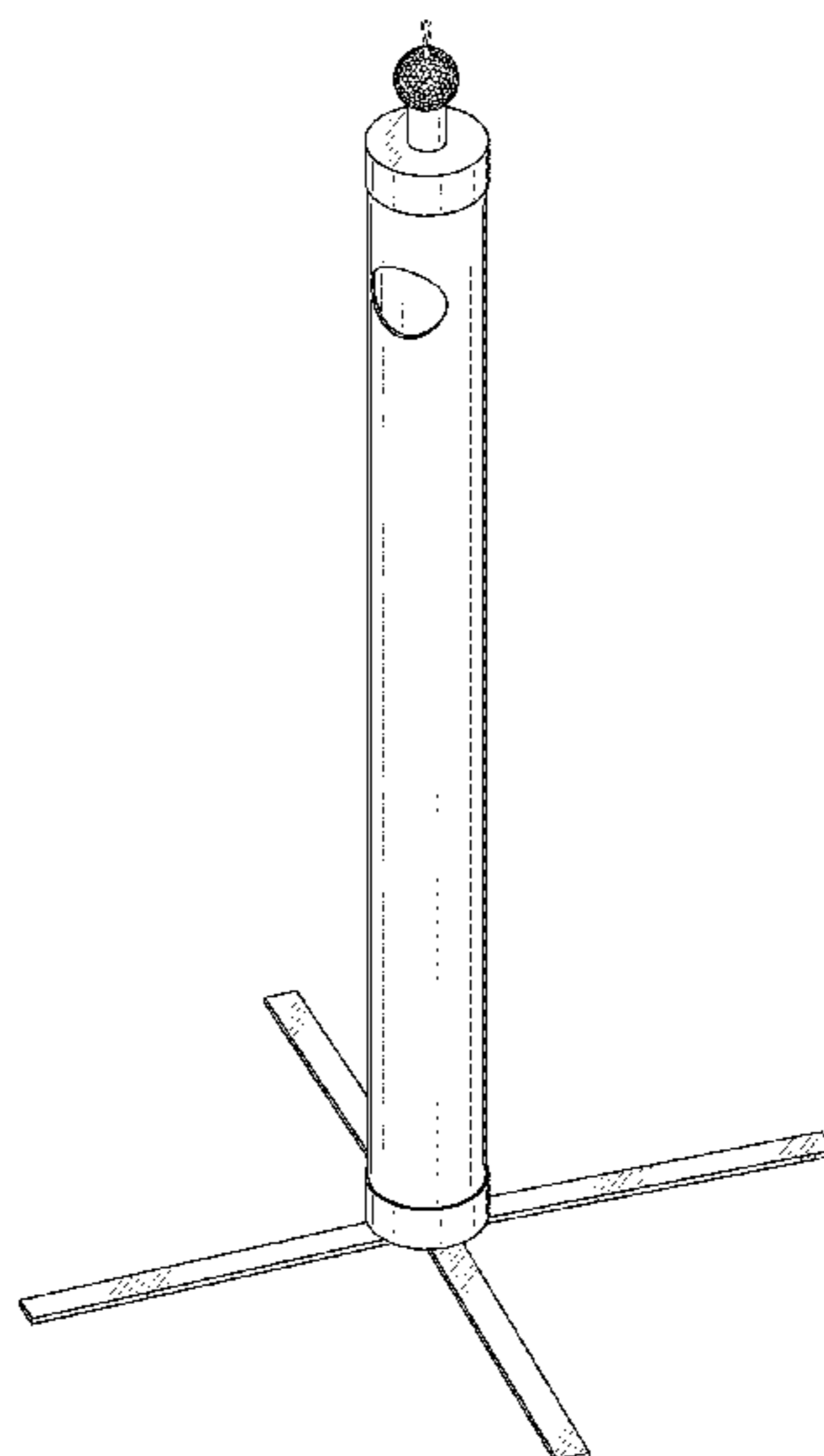
The ornamental design for a game pole, as shown and described.

DESCRIPTION

FIG. 1 is a perspective view of a game pole showing my new design in a first embodiment;

FIG. 2 is a front view thereof;
 FIG. 3 is a rear view thereof;
 FIG. 4 is a left view thereof;
 FIG. 5 is a right view thereof;
 FIG. 6 is a top view thereof;
 FIG. 7 is a bottom view thereof;
 FIG. 8 is a perspective view of a game pole showing my new design in a second embodiment;
 FIG. 9 is a front view thereof;
 FIG. 10 is a rear view thereof;
 FIG. 11 is a left view thereof;
 FIG. 12 is a right view thereof;
 FIG. 13 is a top view thereof;
 FIG. 14 is a bottom view thereof;
 FIG. 15 is a perspective view of a game pole showing my new design in a third embodiment;
 FIG. 16 is a front view thereof;
 FIG. 17 is a rear view thereof;
 FIG. 18 is a left view thereof;
 FIG. 19 is a right view thereof;
 FIG. 20 is a top view thereof;
 FIG. 21 is a bottom view thereof;
 FIG. 22 is a perspective view of a game pole showing my new design in a fourth embodiment;
 FIG. 23 is a front view thereof;
 FIG. 24 is a rear view thereof;
 FIG. 25 is a left view thereof;
 FIG. 26 is a right view thereof;
 FIG. 27 is a top view thereof;
 FIG. 28 is a bottom view thereof;
 FIG. 29 is a perspective view of a game pole showing my new design in a fifth embodiment;
 FIG. 30 is a front view thereof;
 FIG. 31 is a rear view thereof;
 FIG. 32 is a left view thereof;
 FIG. 33 is a right view thereof;
 FIG. 34 is a top view thereof; and,
 FIG. 35 is a bottom view thereof.

1 Claim, 30 Drawing Sheets



(56)

References Cited

U.S. PATENT DOCUMENTS

3,428,319	A *	2/1969	Engle	A63B 63/00 273/393
4,378,944	A	4/1983	Johnston	
D308,555	S *	6/1990	Hermen	D21/699
5,354,052	A *	10/1994	Nicholls	A63B 24/0021 473/192
D500,349	S *	12/2004	Benson	D21/700
8,187,113	B2 *	5/2012	Lim	A63B 57/357 473/176
8,608,167	B2	12/2013	Raymond	
8,753,218	B2	6/2014	Suchanek	
D785,713	S *	5/2017	Salome	D21/302
9,814,958	B1 *	11/2017	Orenstein	A63B 69/0075
D812,701	S *	3/2018	Parham	D21/715
10,232,239	B1 *	3/2019	Boring	A63B 63/00
2005/0255945	A1 *	11/2005	Green	A63B 69/0002 473/417
2007/0212973	A1	9/2007	Brockes	
2008/0224409	A1	9/2008	Marshall	
2009/0291782	A1	11/2009	Hinn	
2011/0095484	A1	4/2011	Scott	
2011/0195805	A1	8/2011	Sliger	
2012/0312286	A1	12/2012	Kilian	
2017/0021254	A1	1/2017	Wolf	

* cited by examiner

FIG. 1

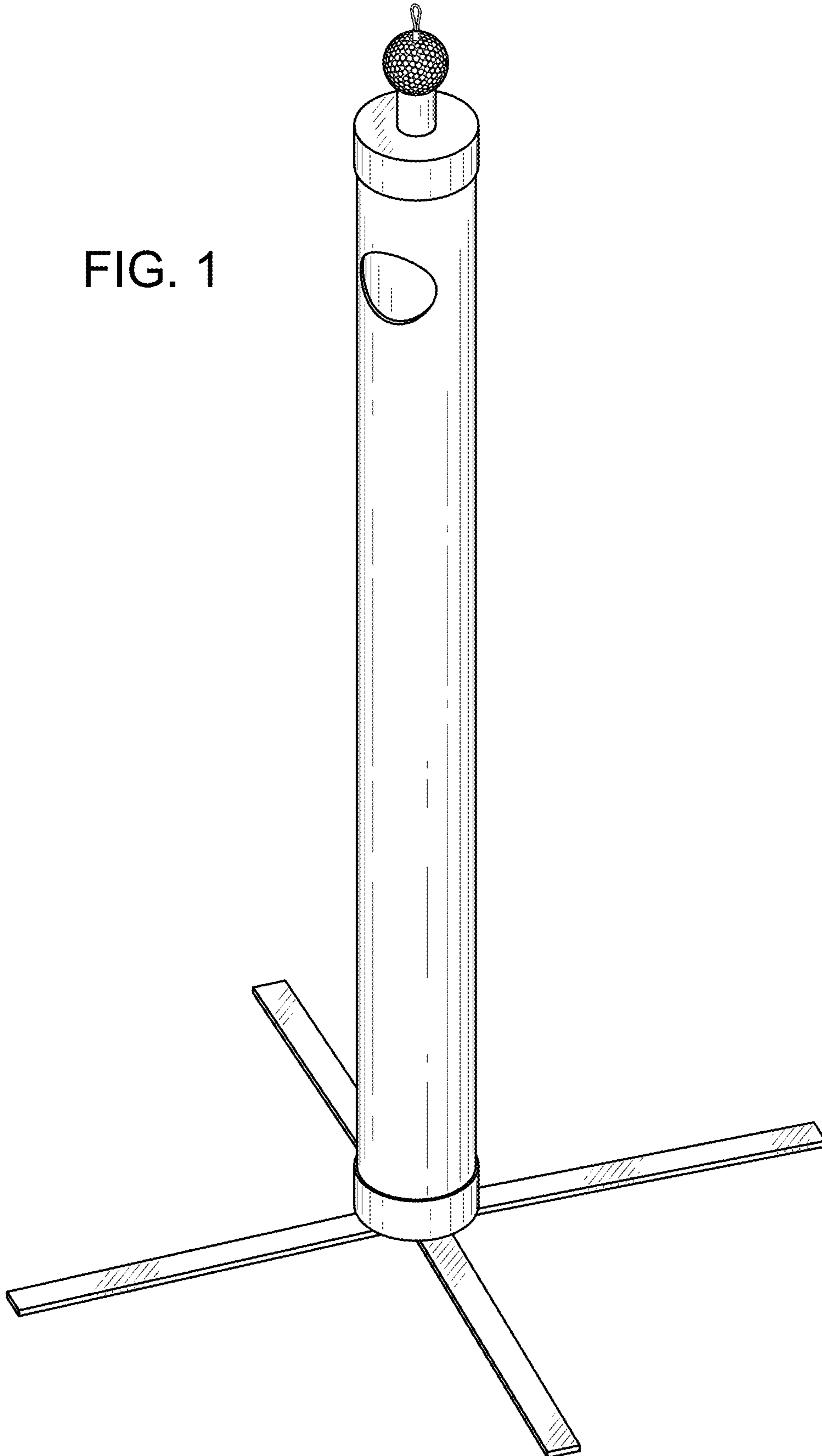


FIG. 2

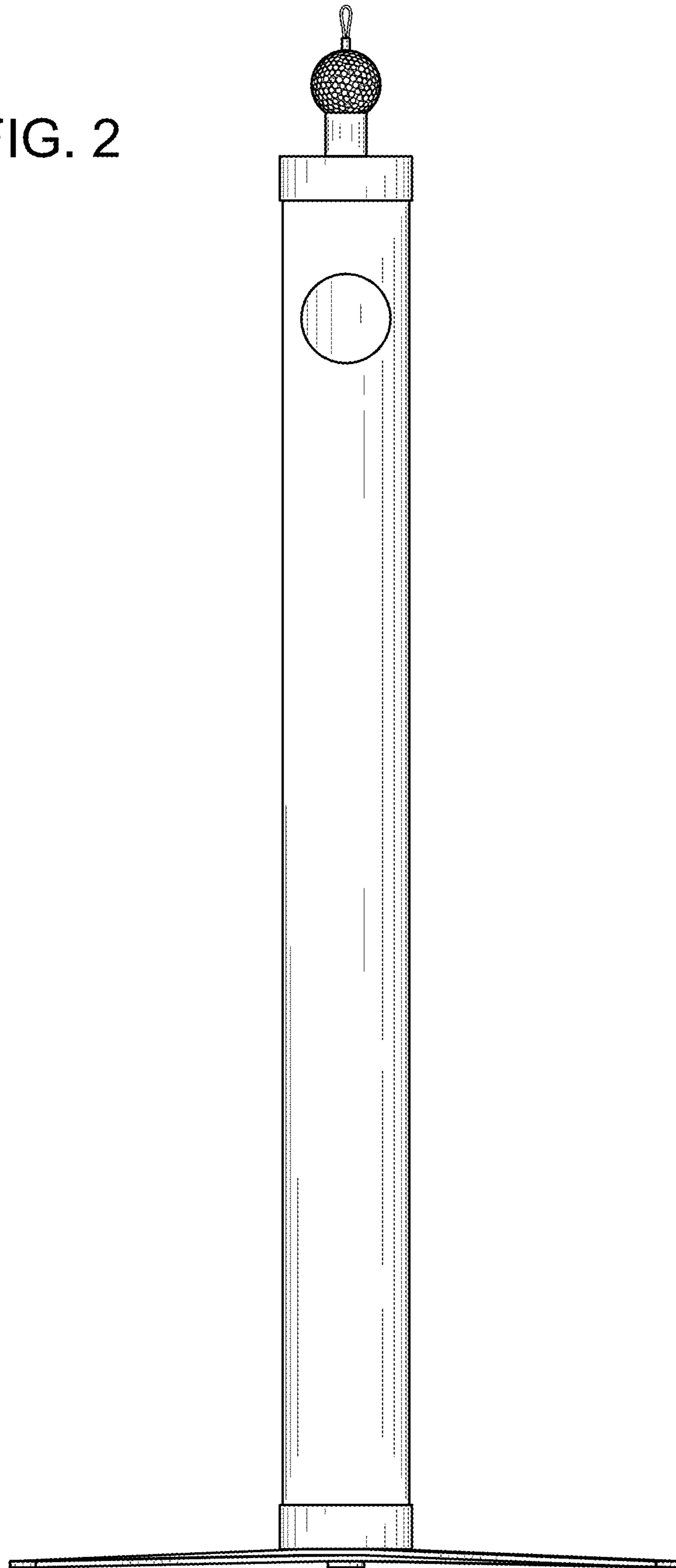


FIG. 3

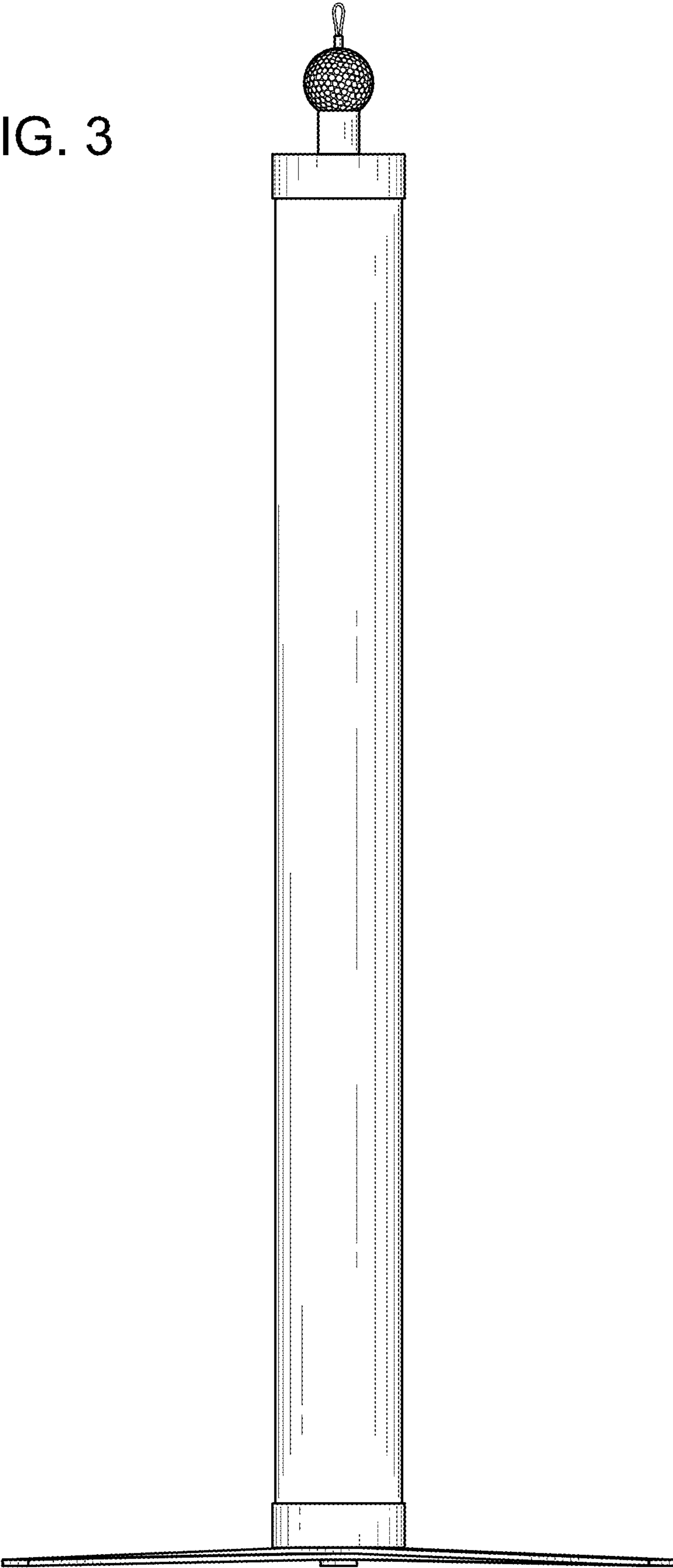


FIG. 4

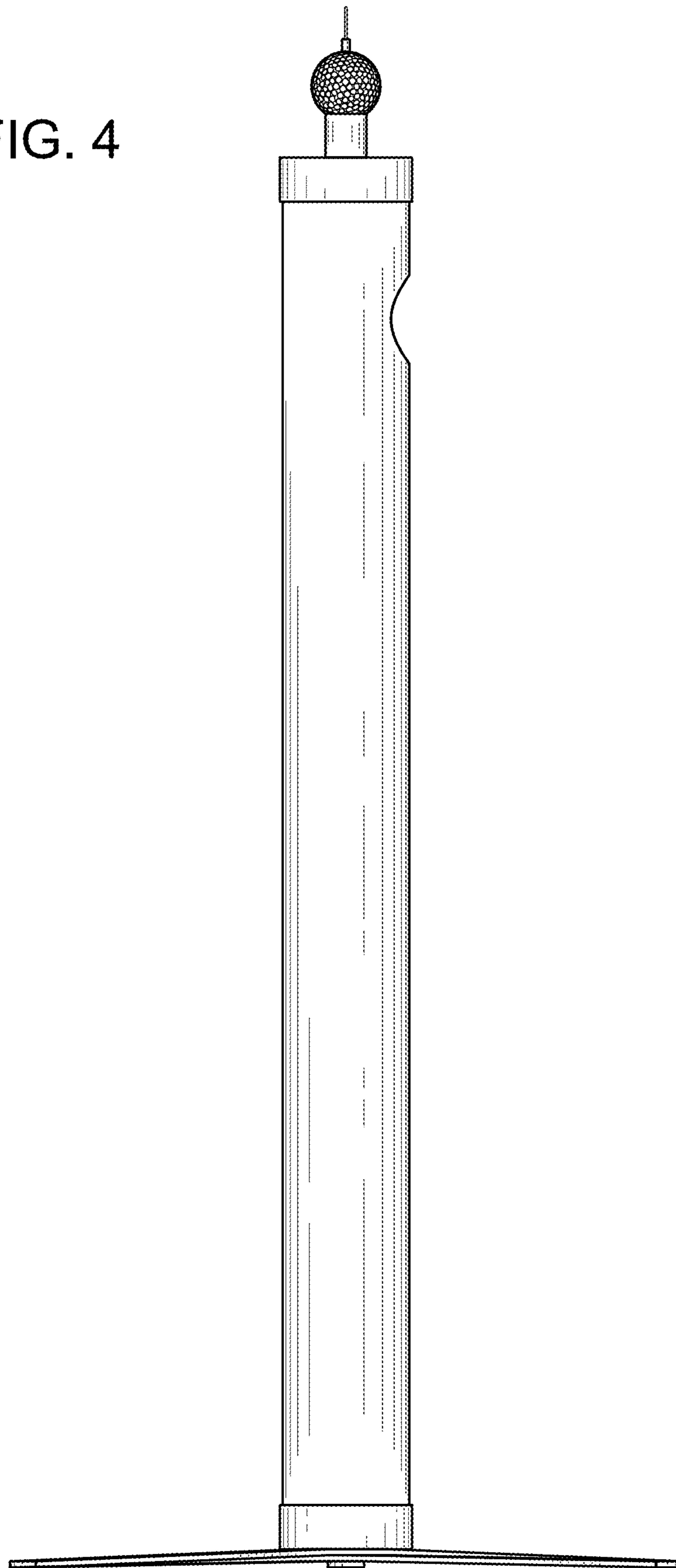


FIG. 5

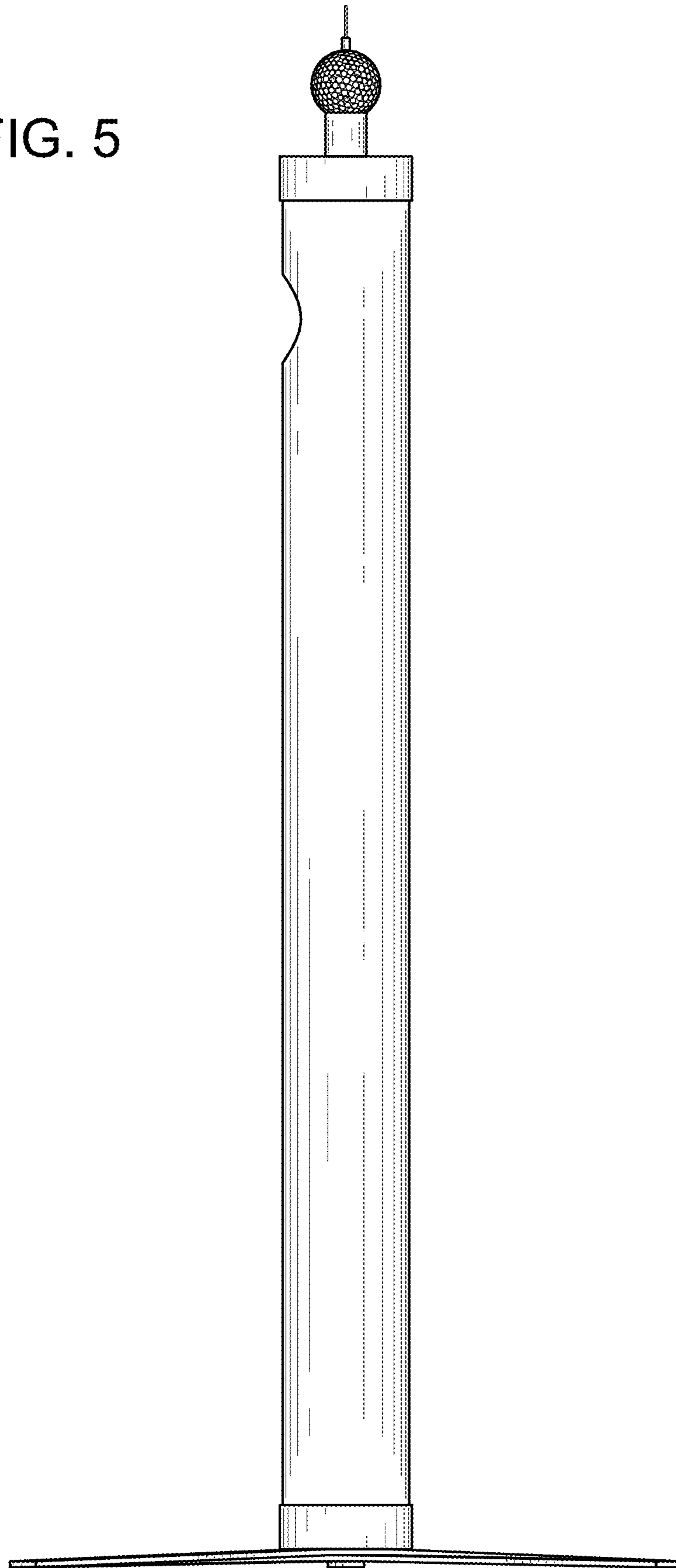


FIG. 6

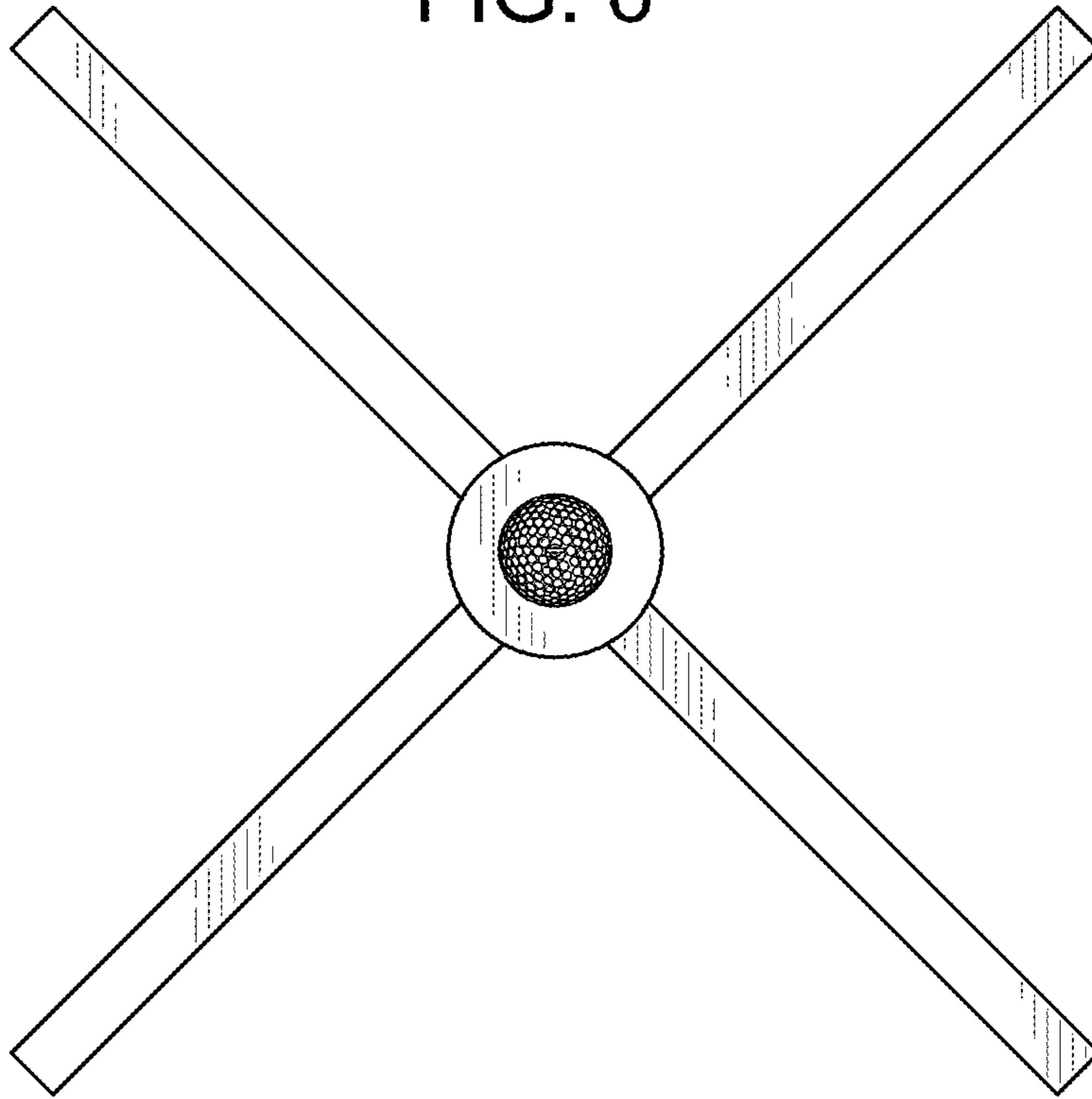


FIG. 7

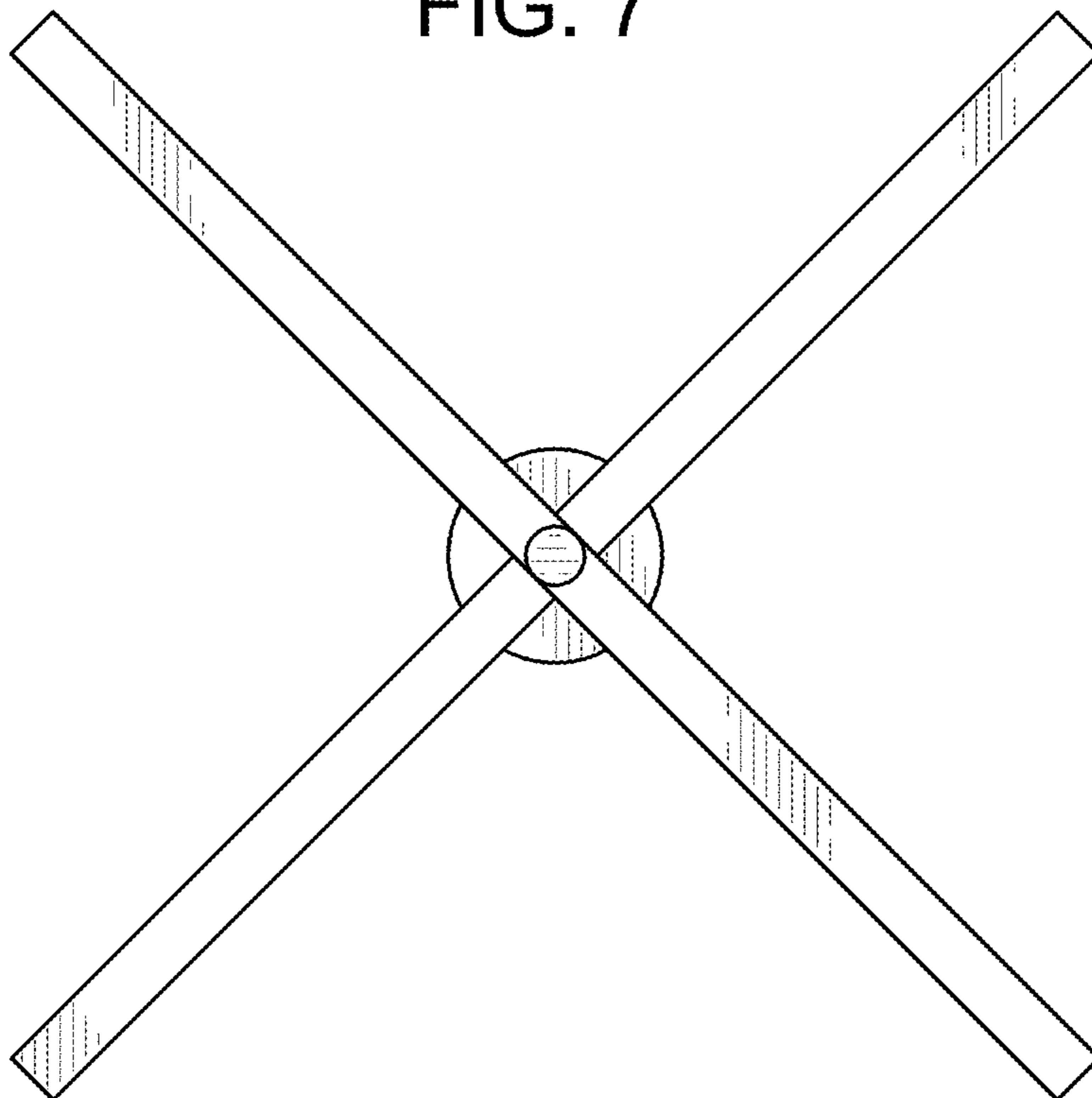


FIG. 8

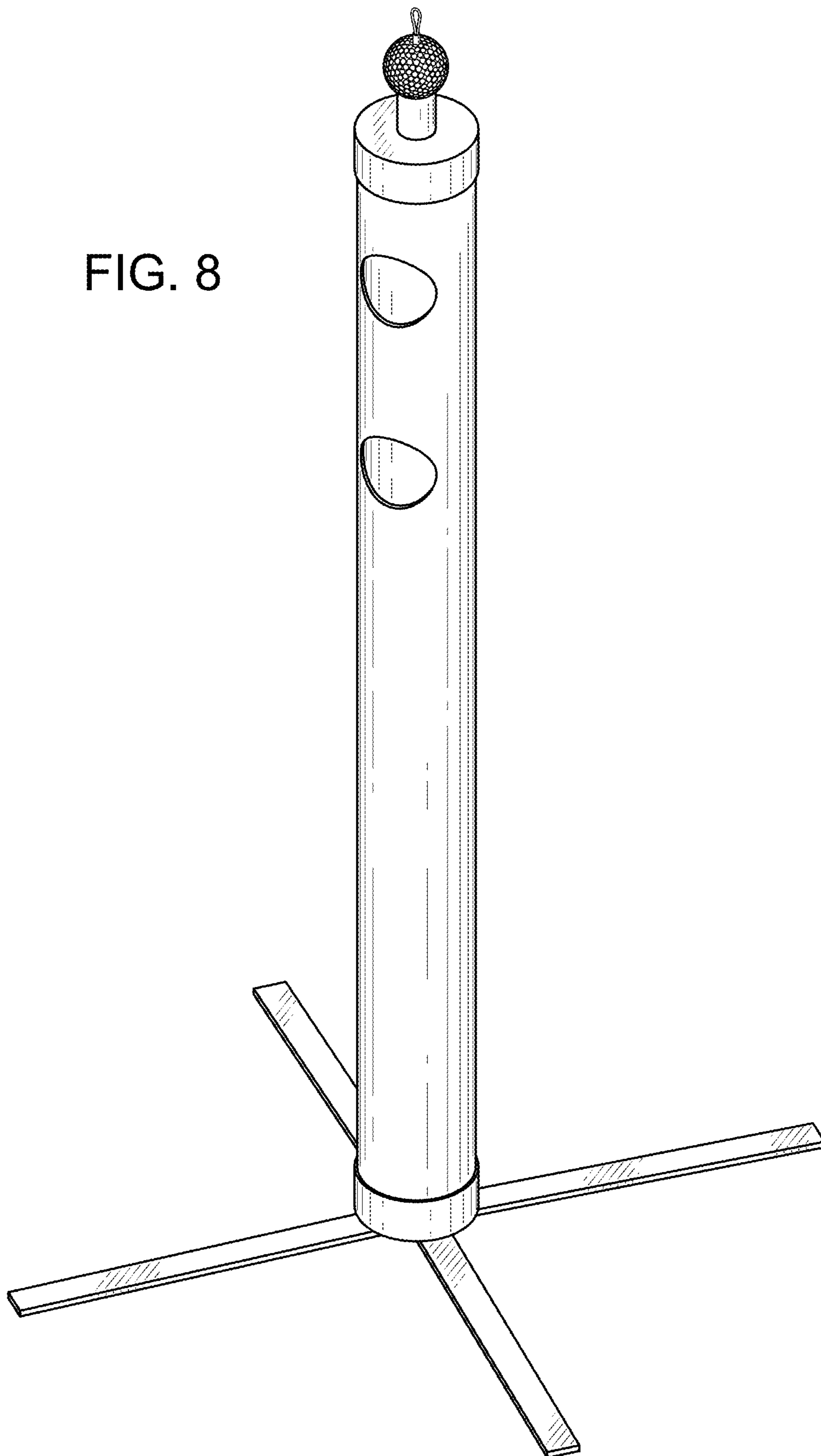


FIG. 9

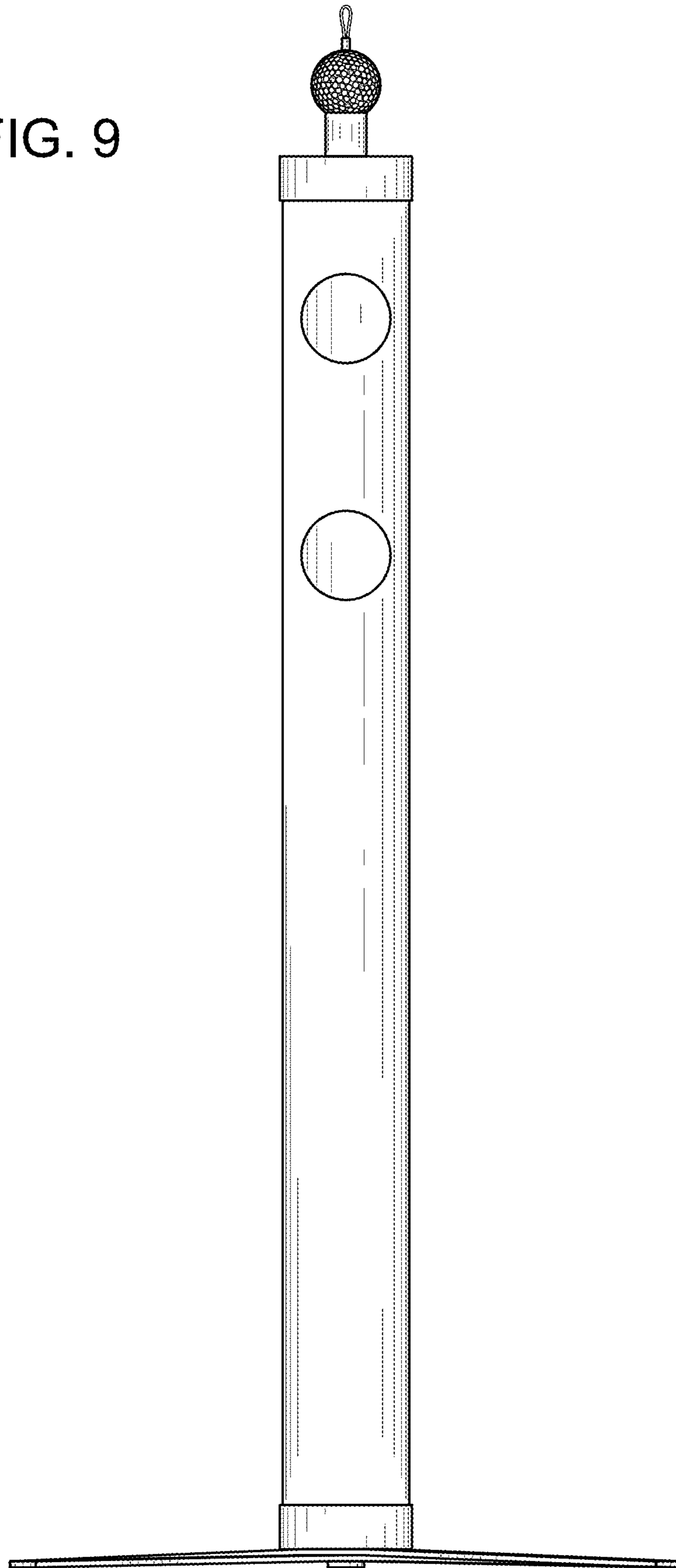


FIG. 10

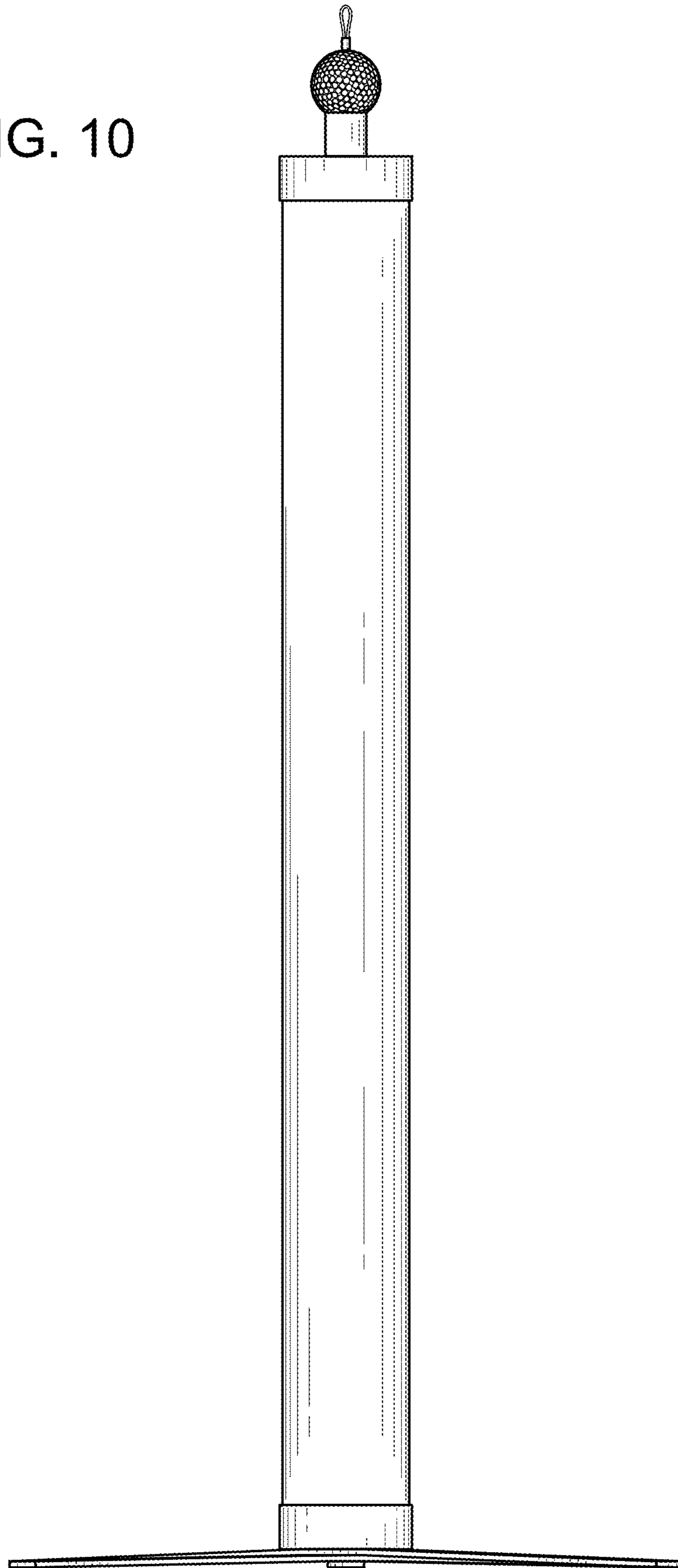


FIG. 11

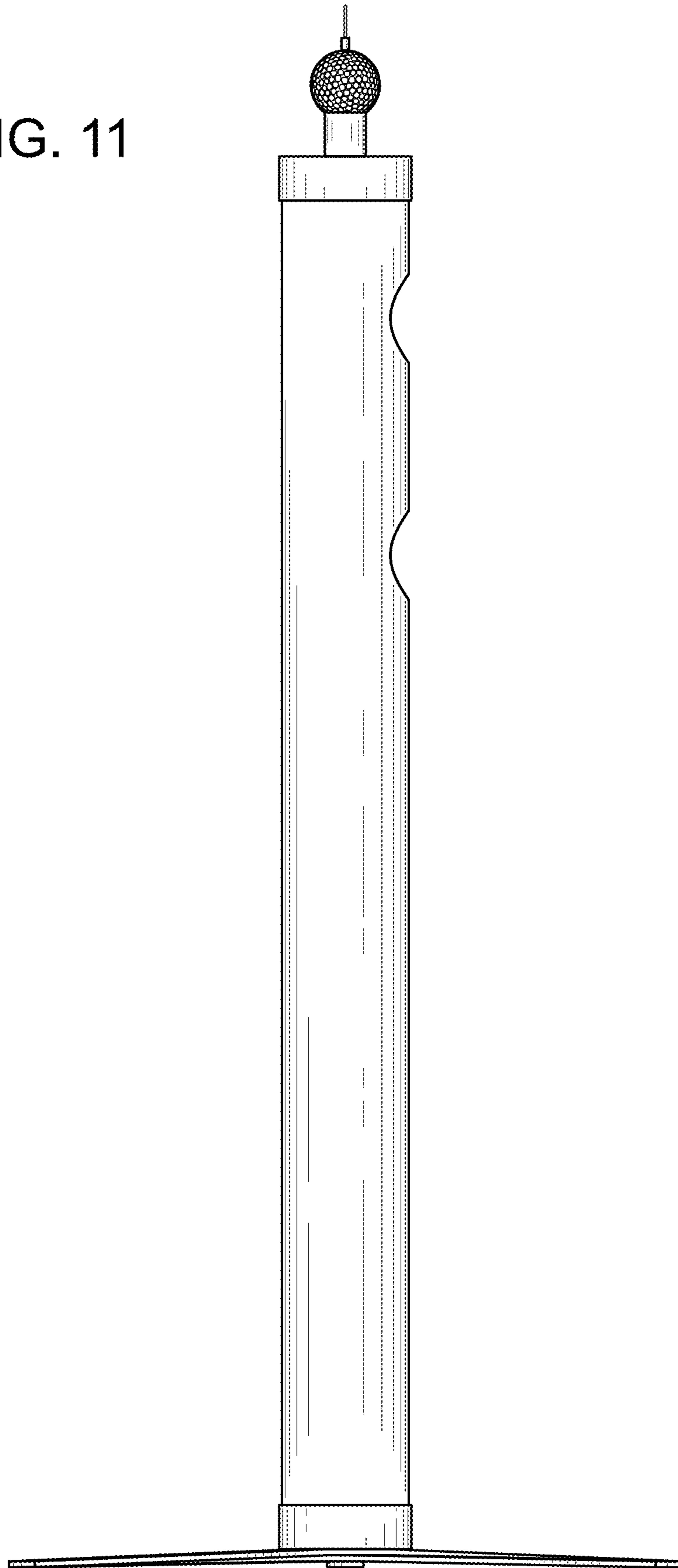


FIG. 12

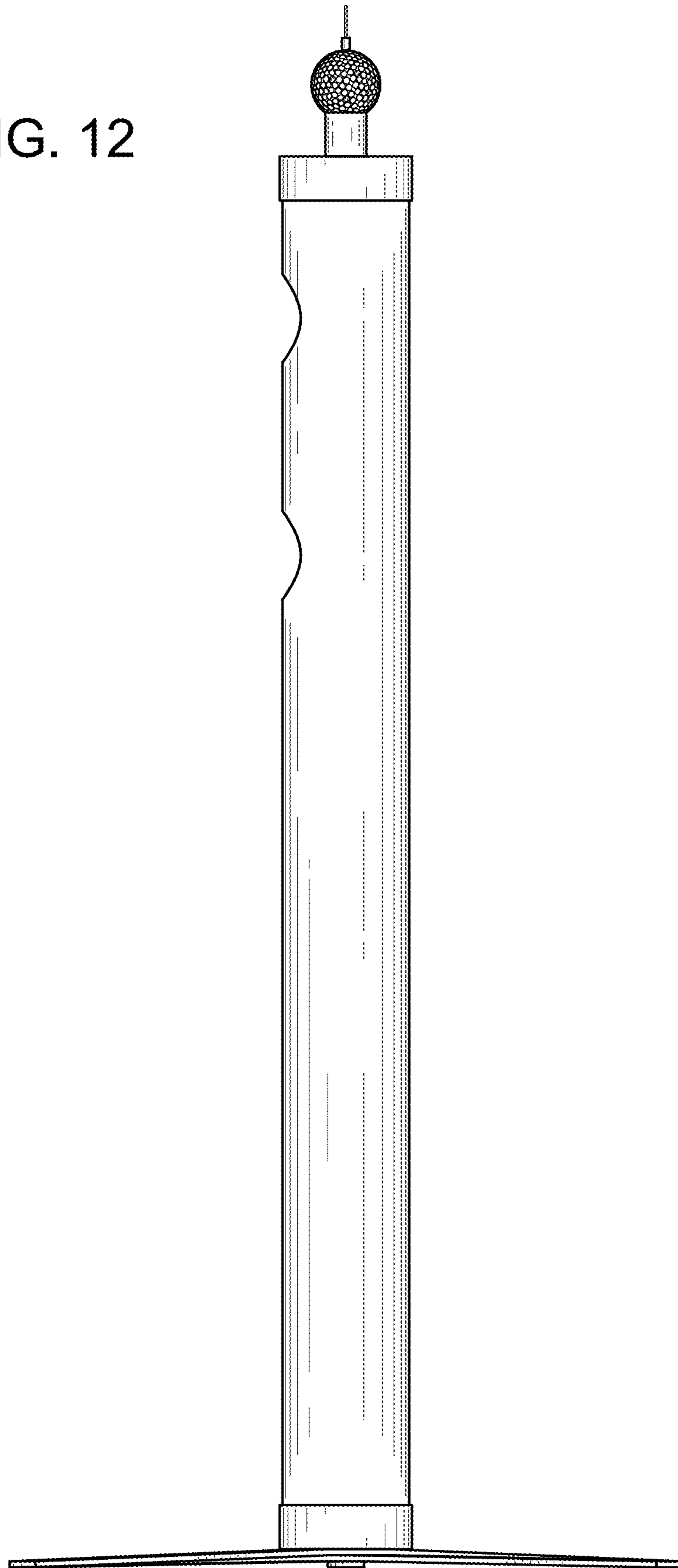


FIG. 13

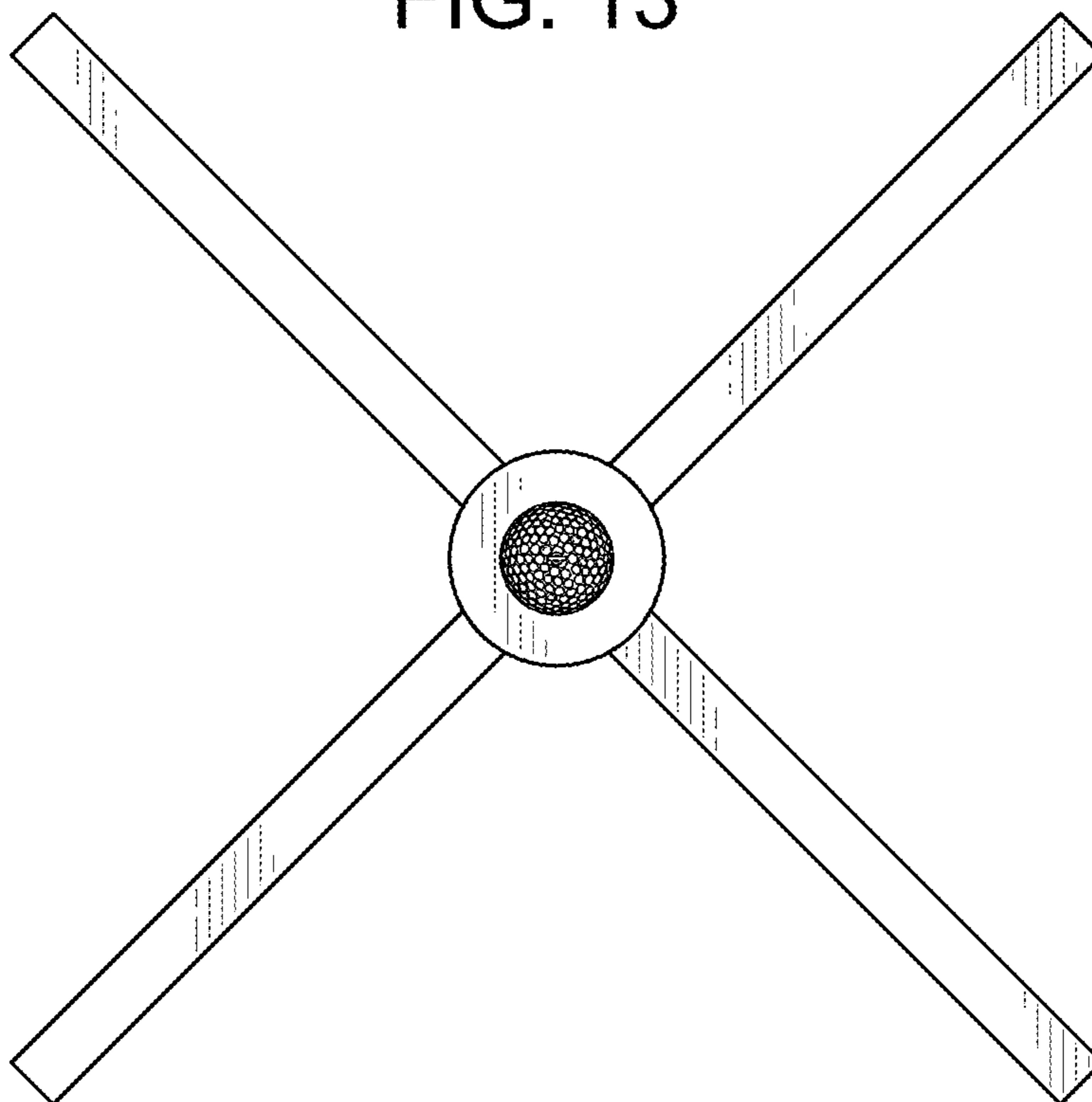


FIG. 14

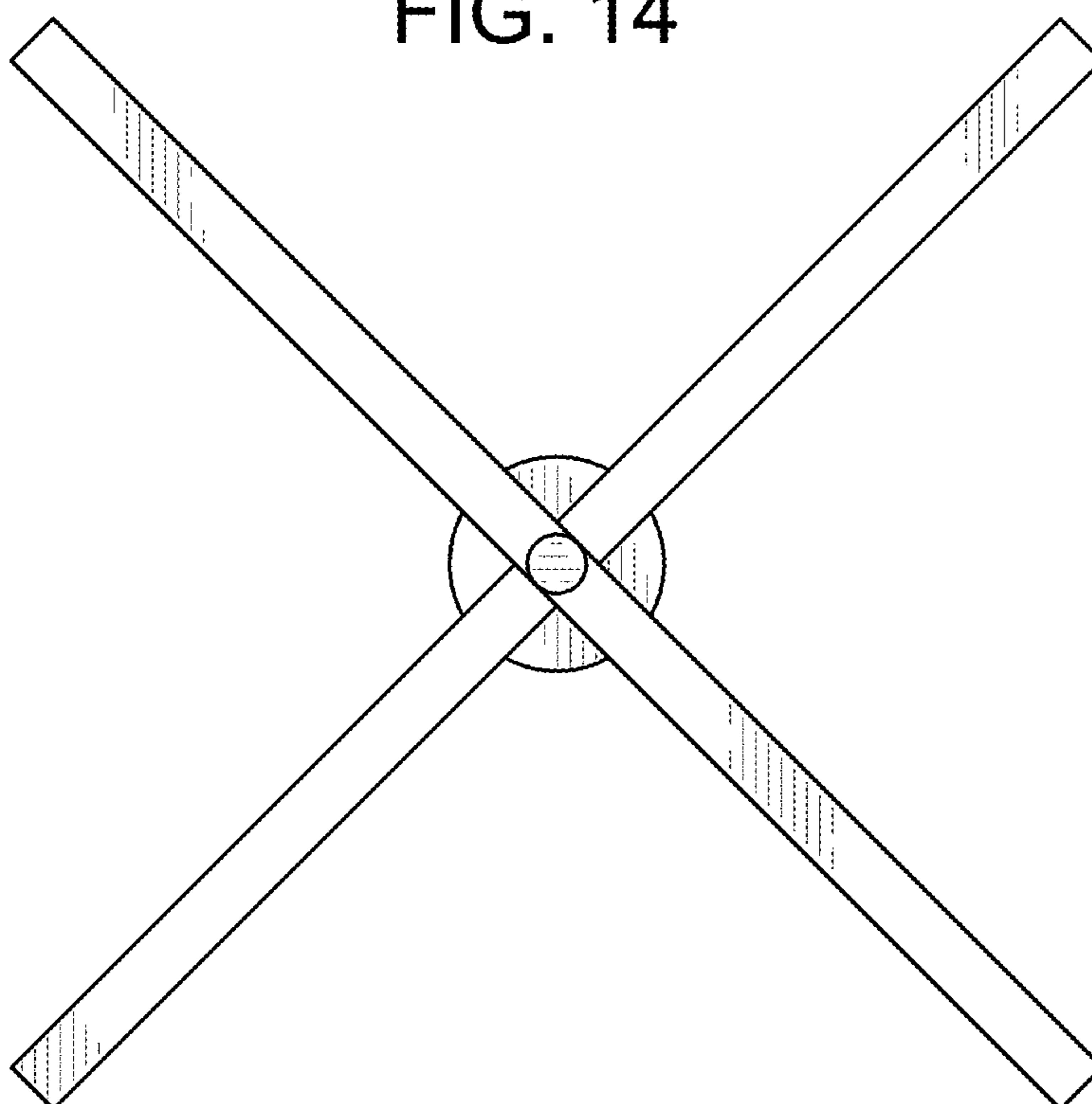


FIG. 15

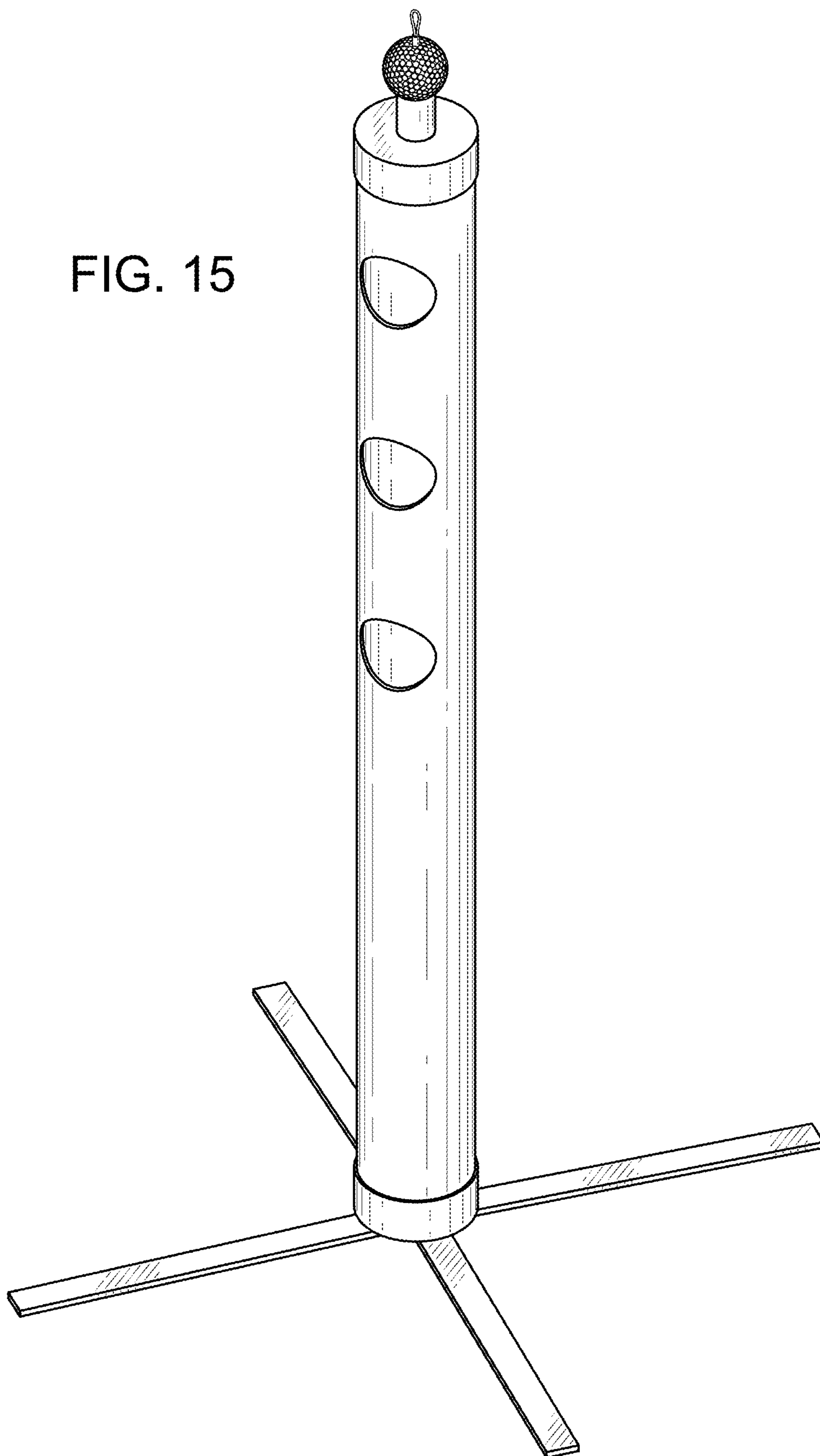


FIG. 16

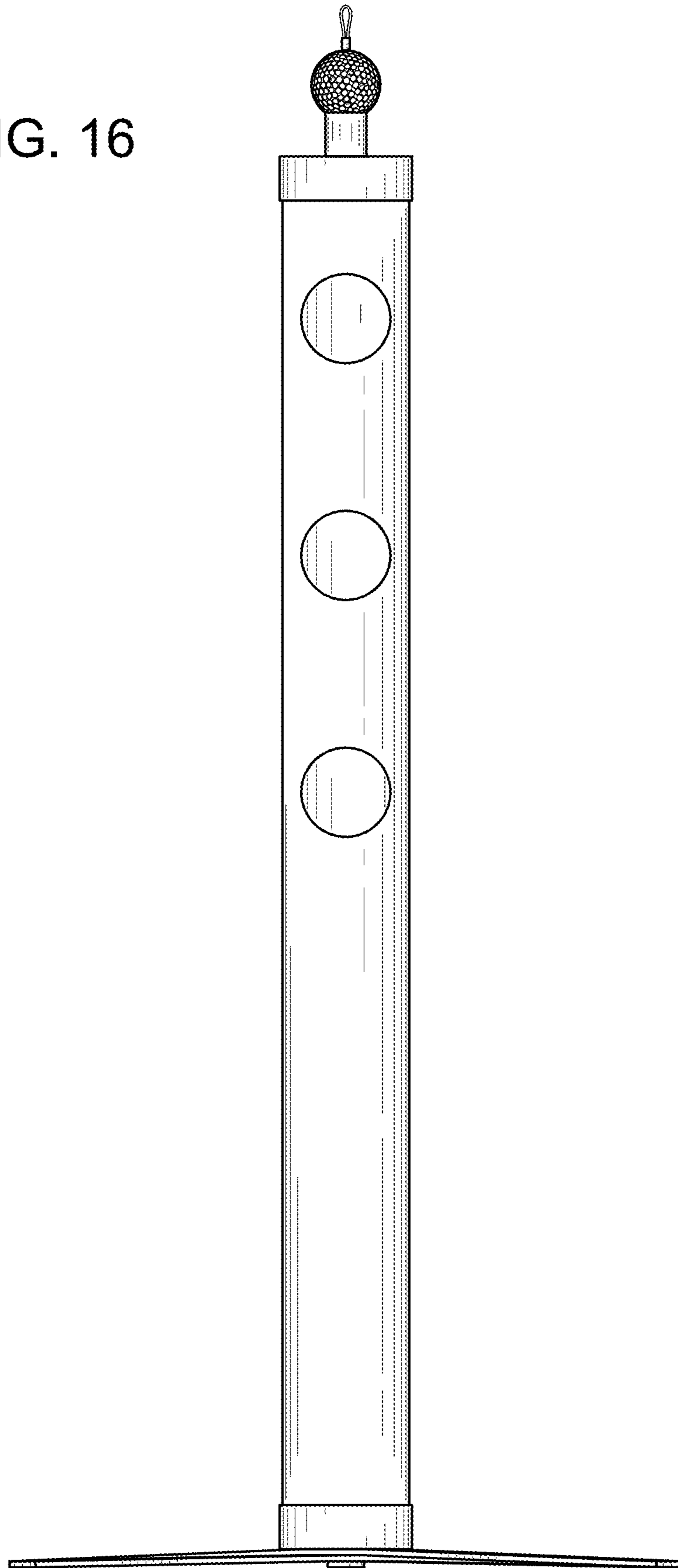


FIG. 17

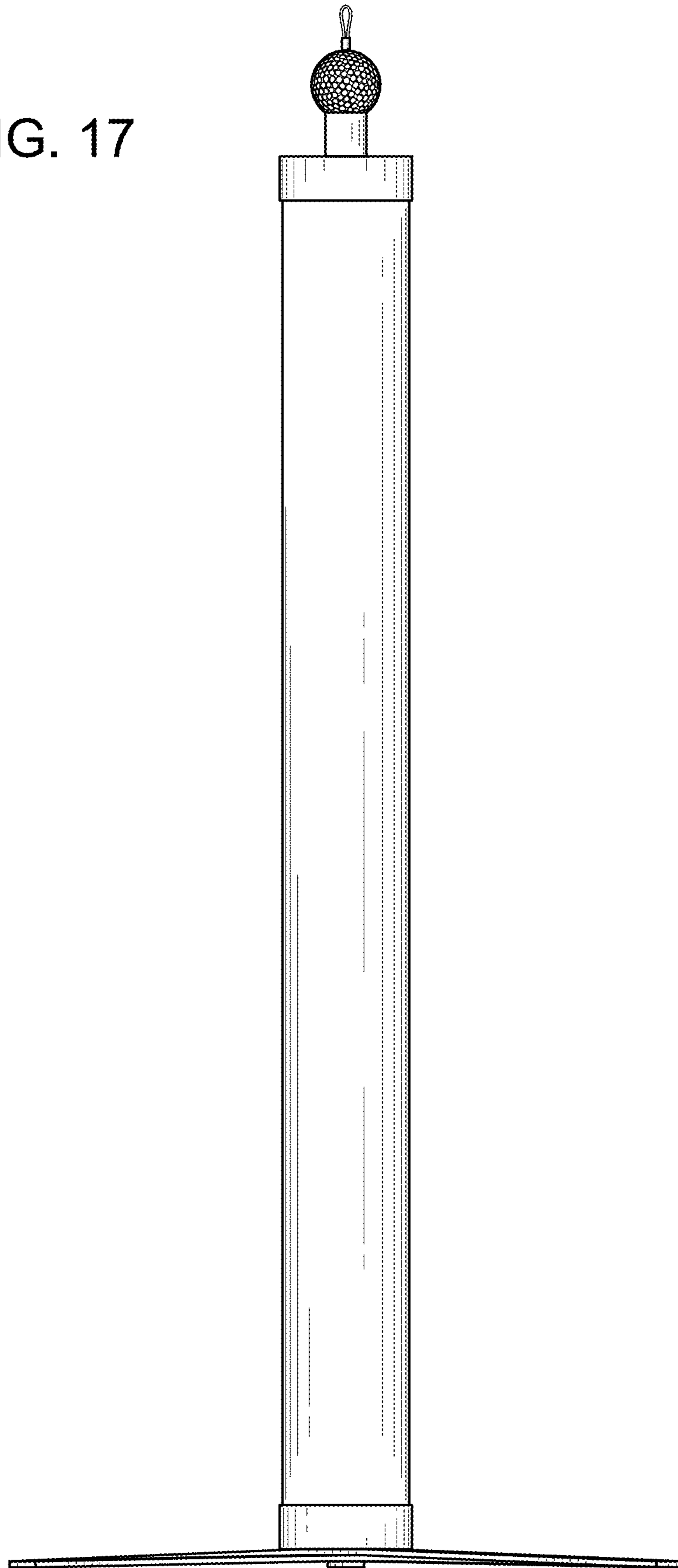


FIG. 18

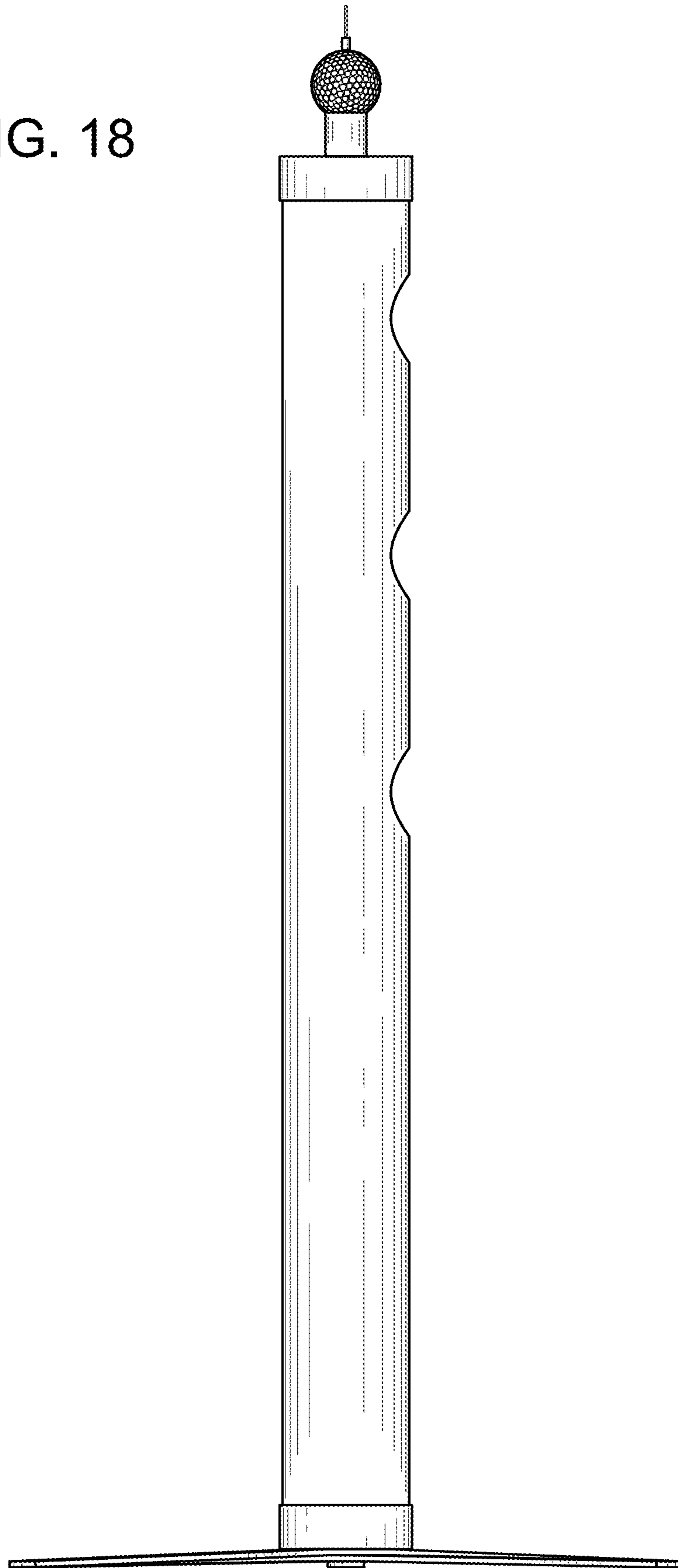


FIG. 19

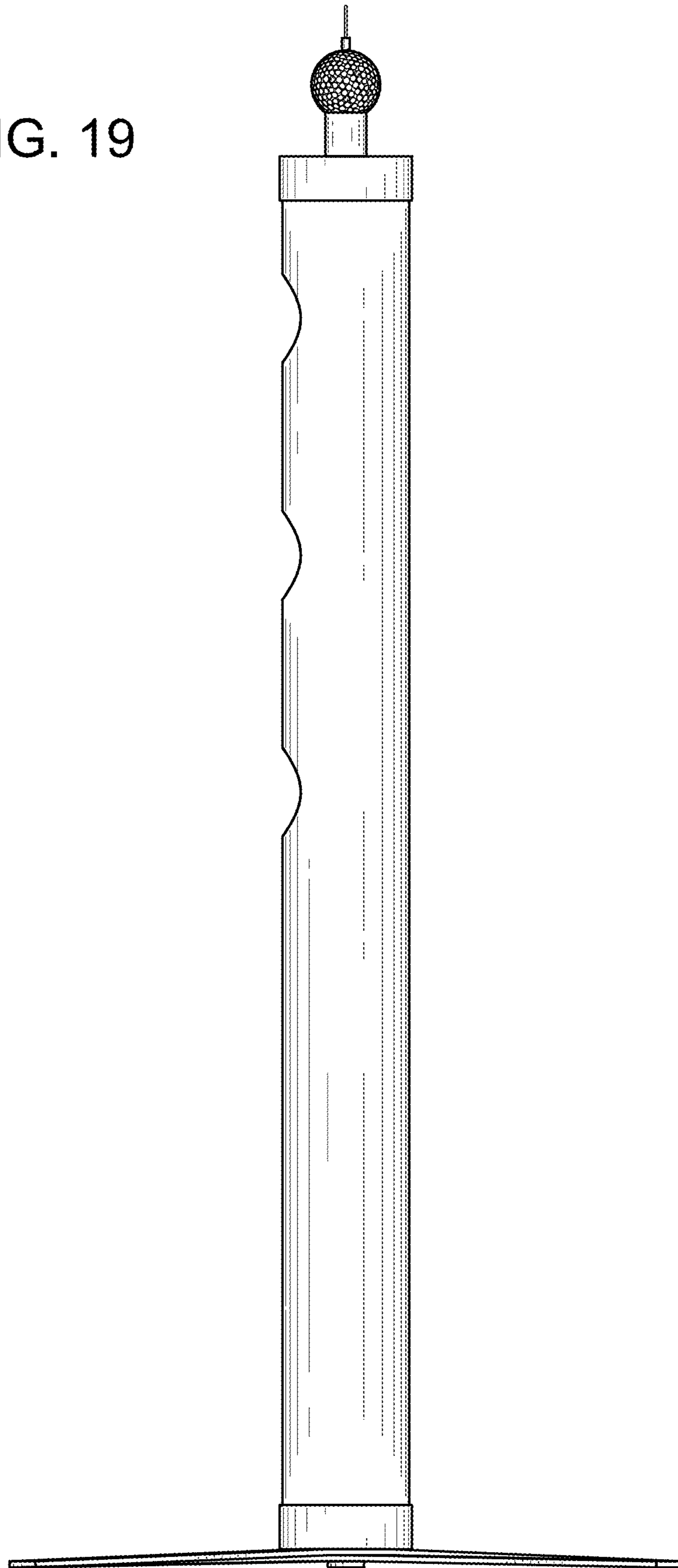


FIG. 20

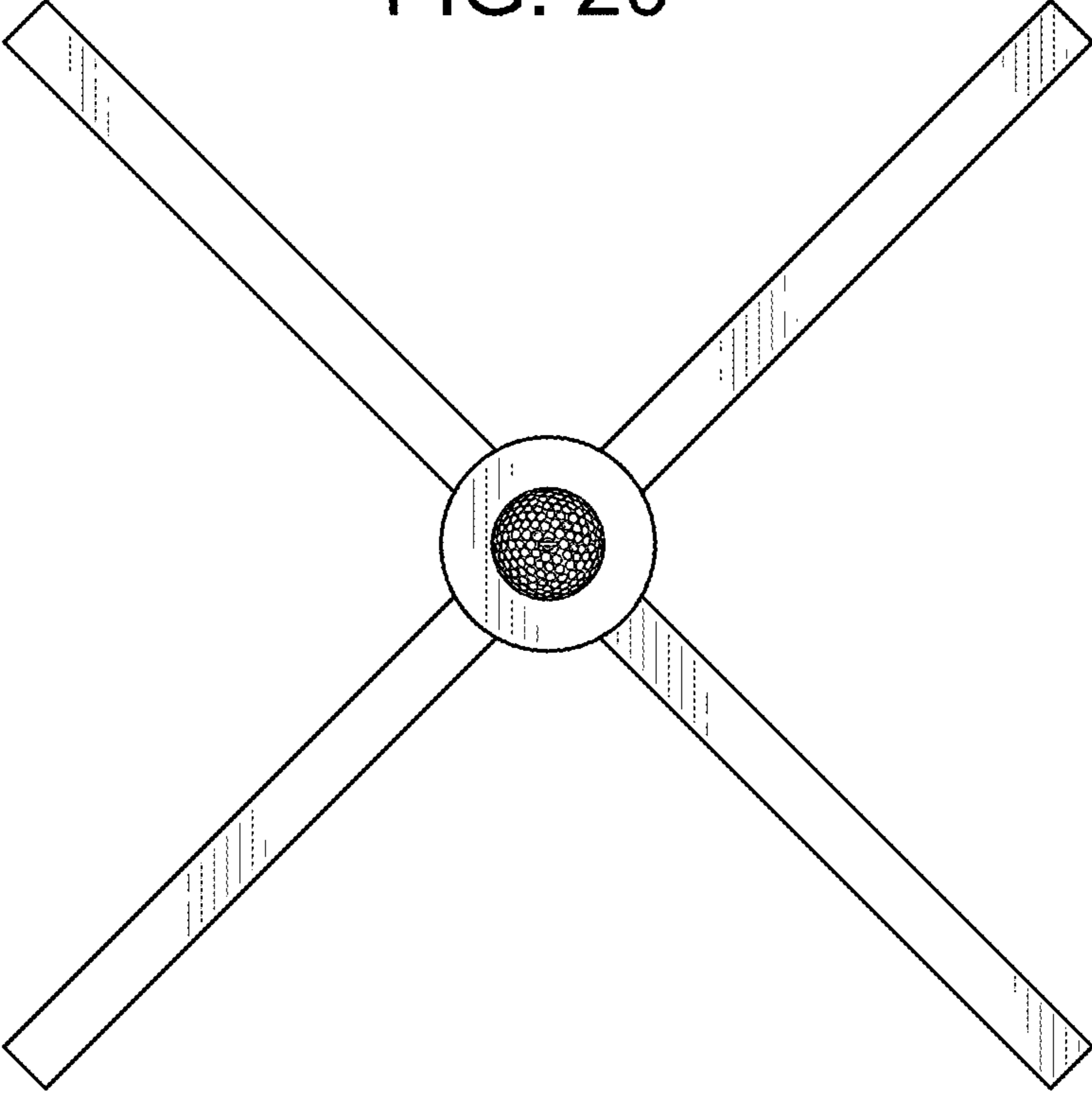


FIG. 21

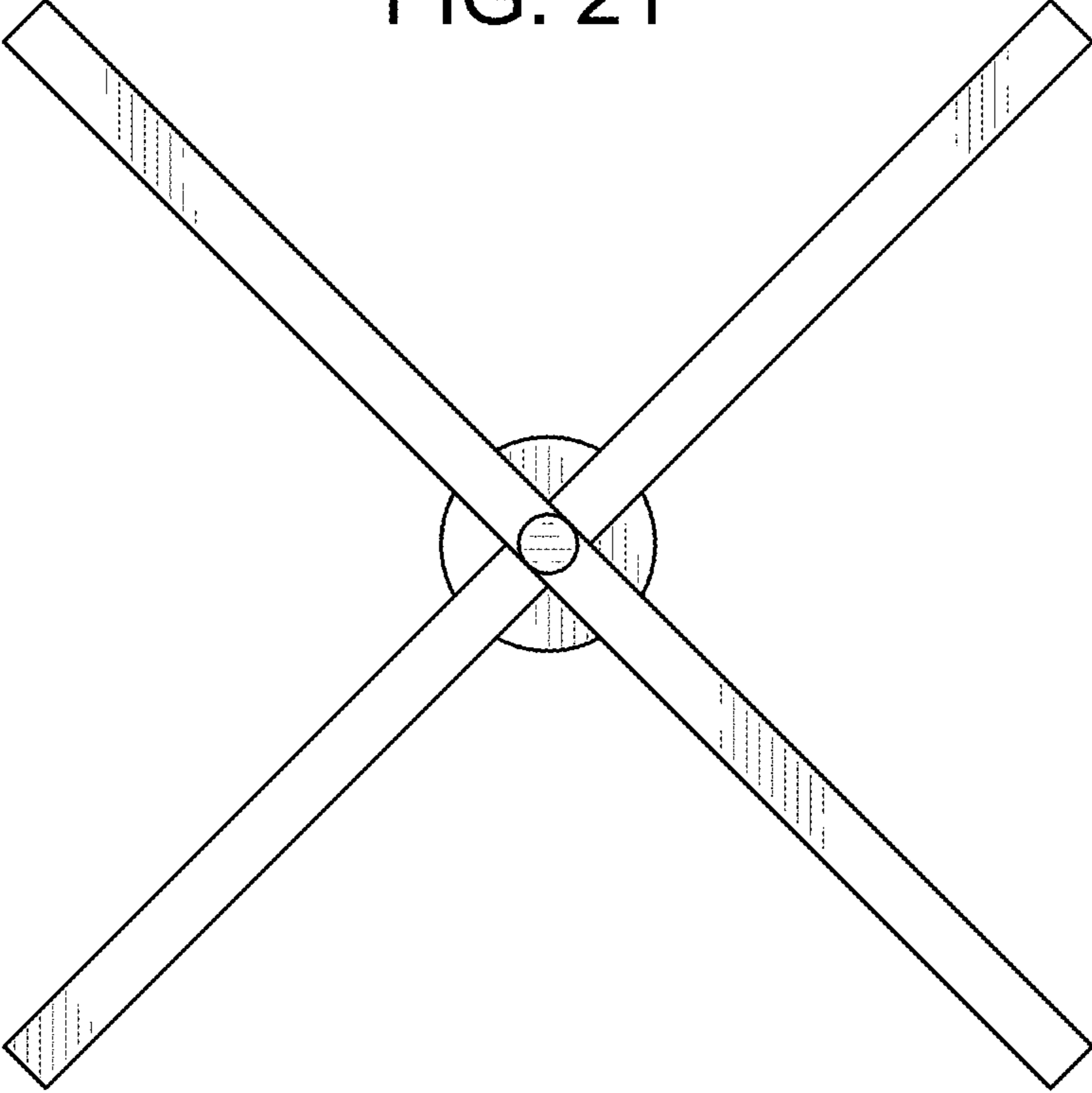


FIG. 22

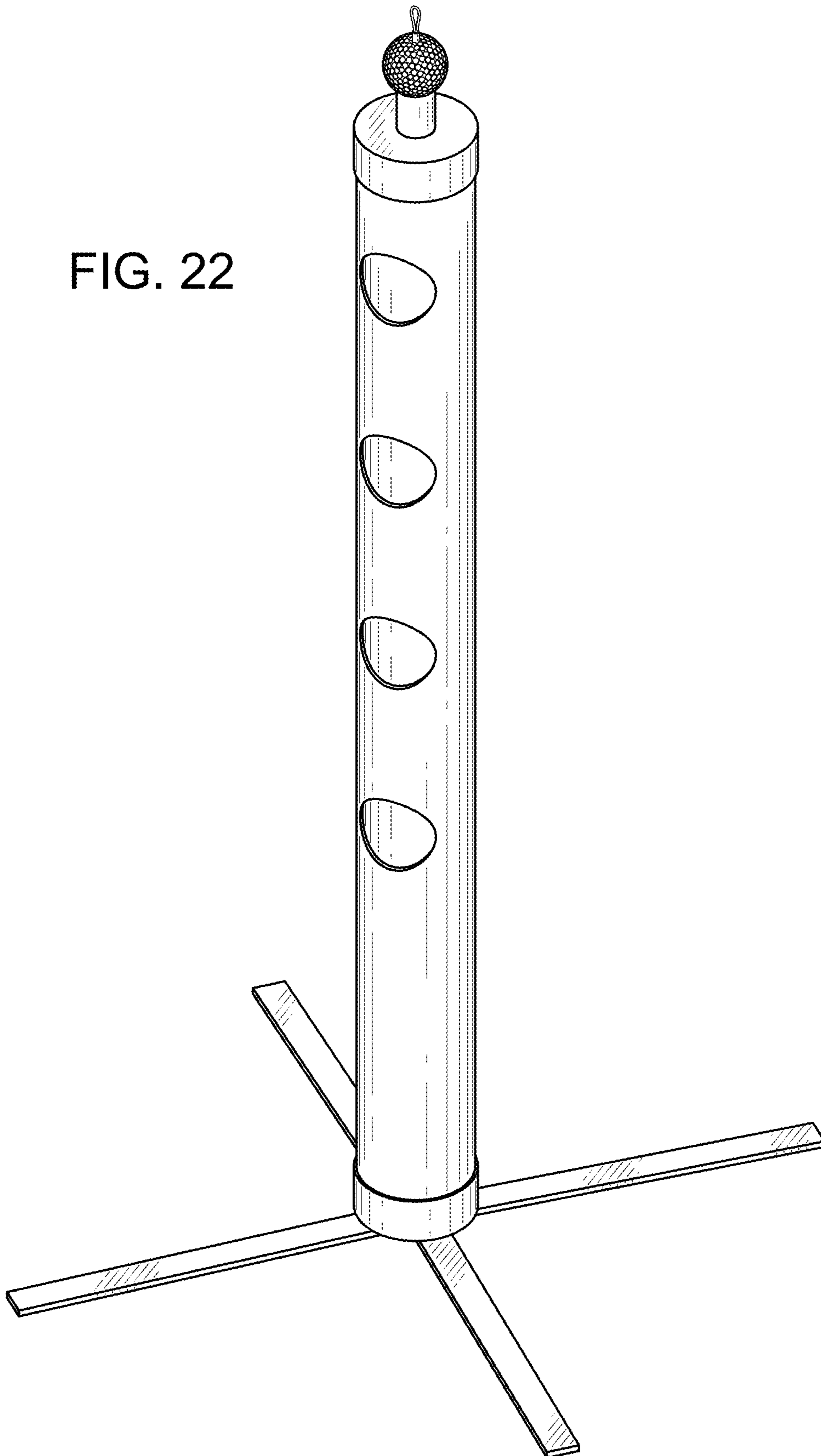


FIG. 23

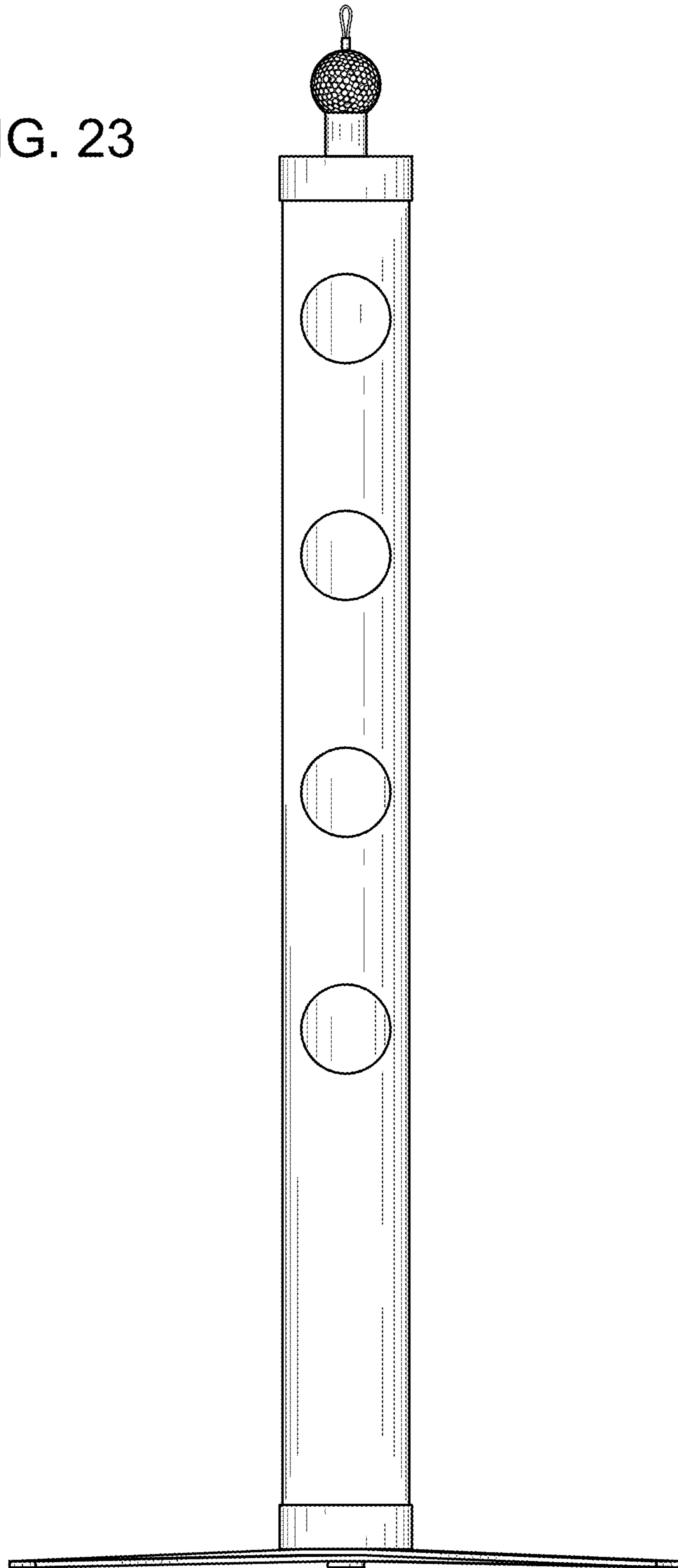


FIG. 24

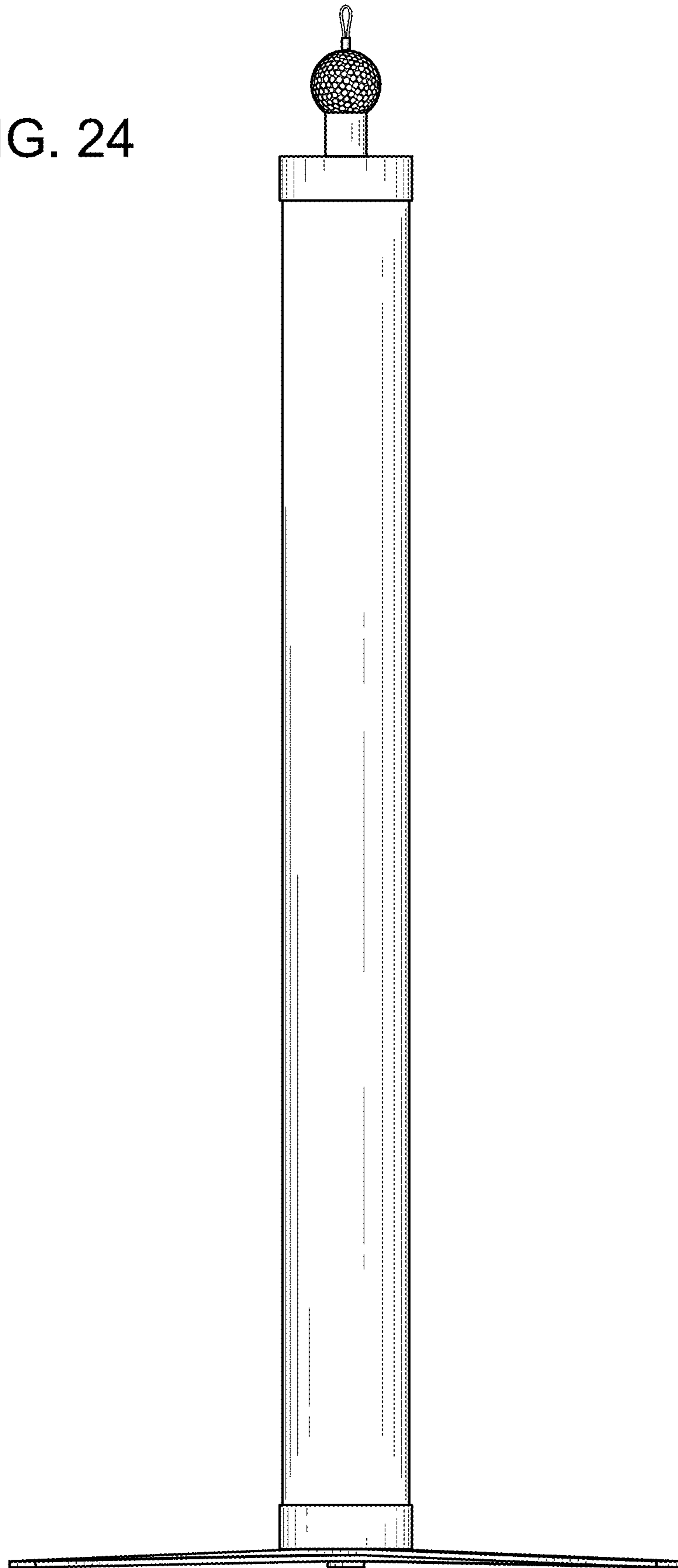


FIG. 25

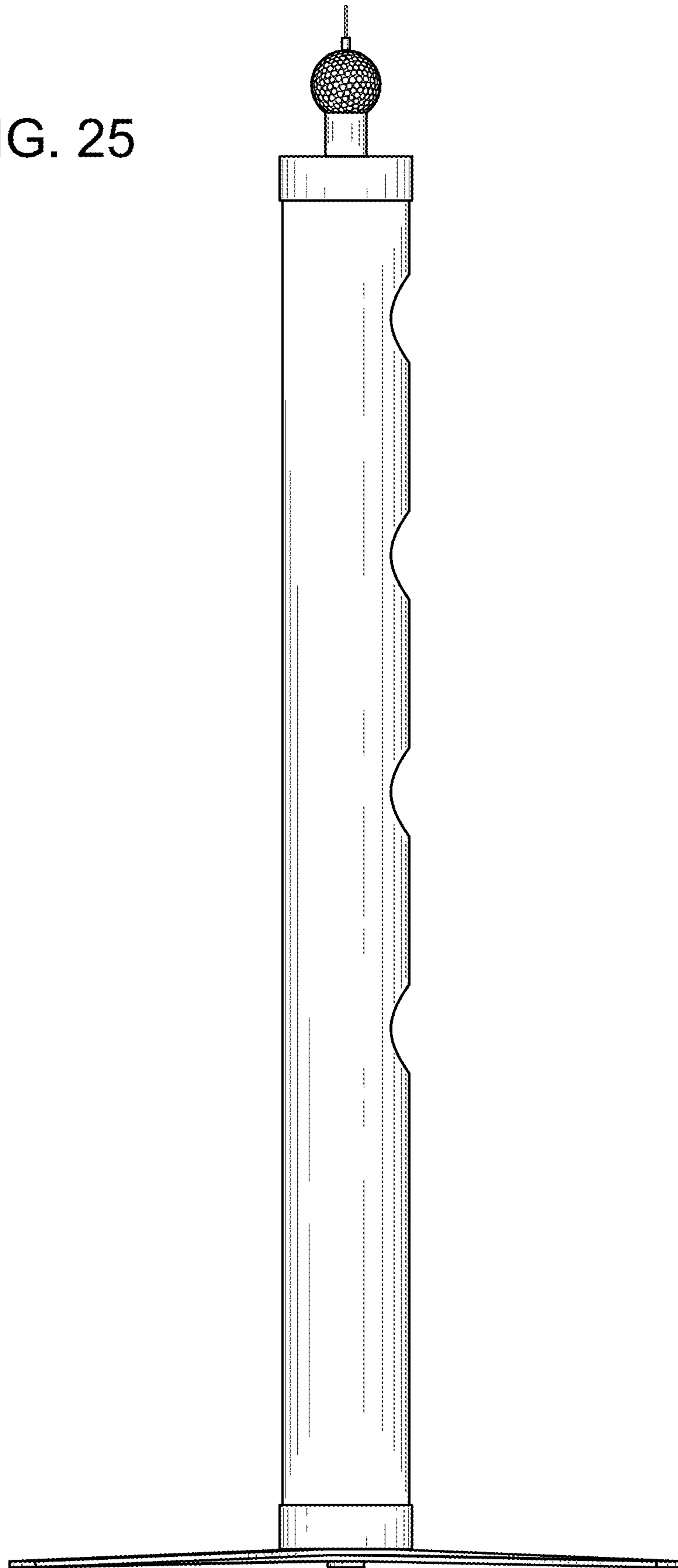


FIG. 26

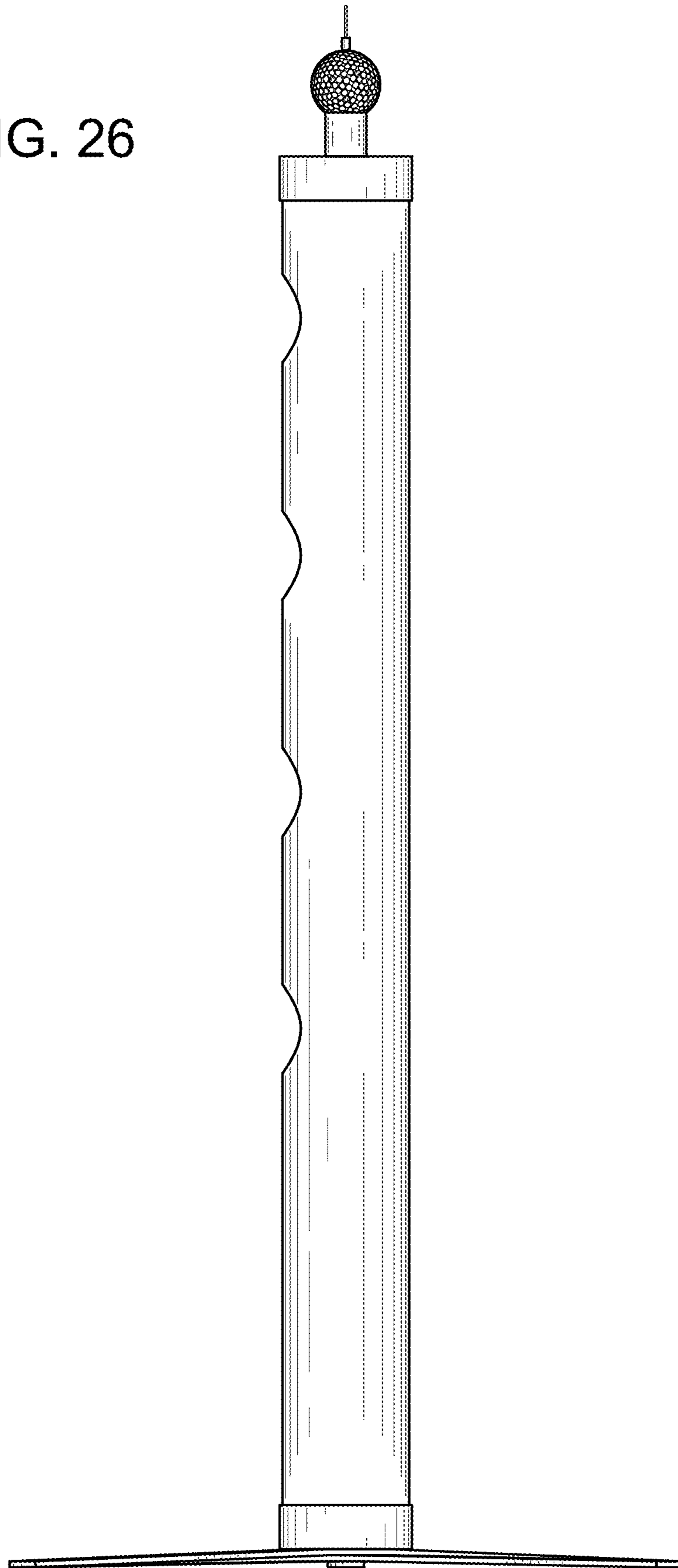


FIG. 27

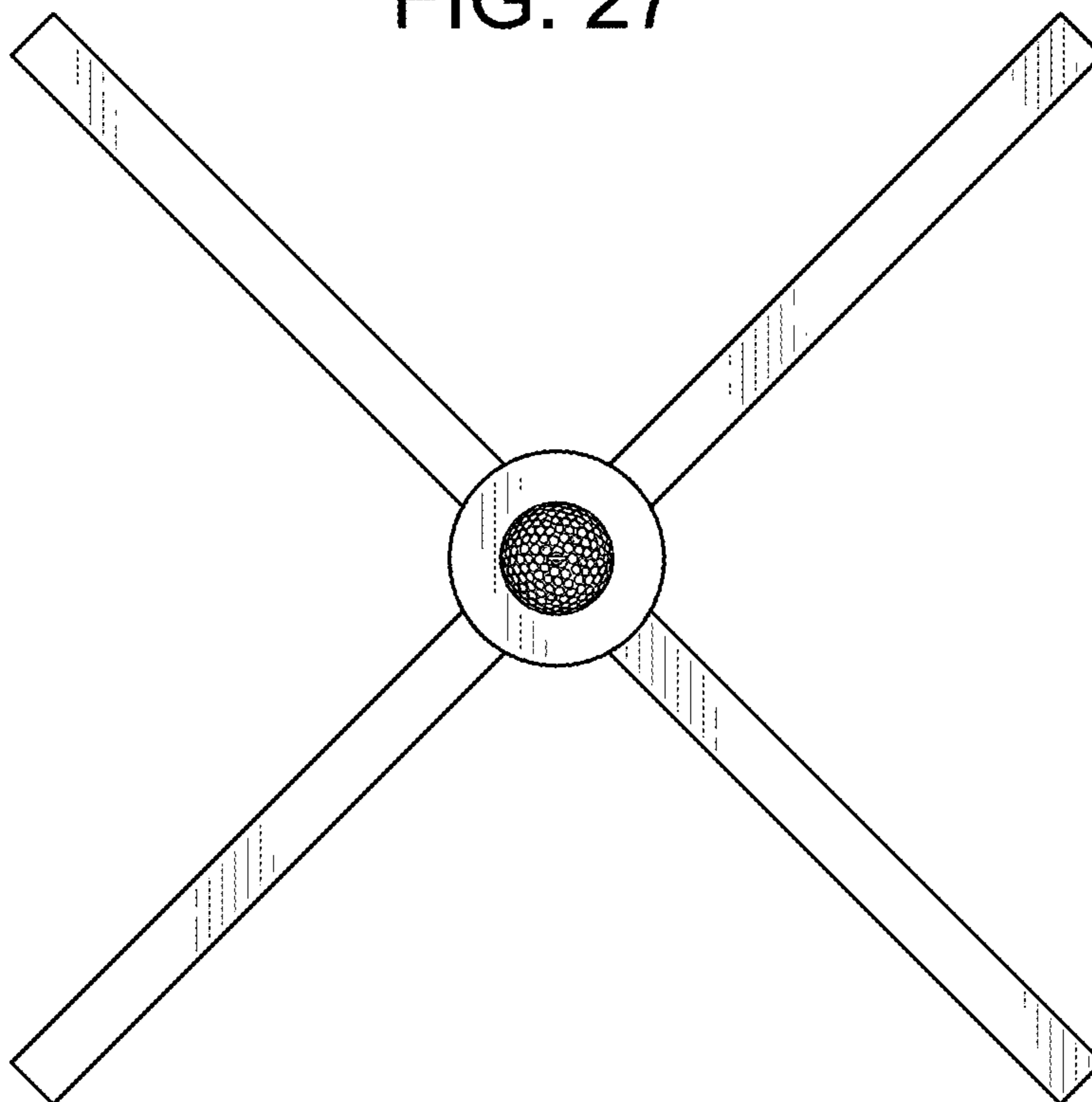


FIG. 28

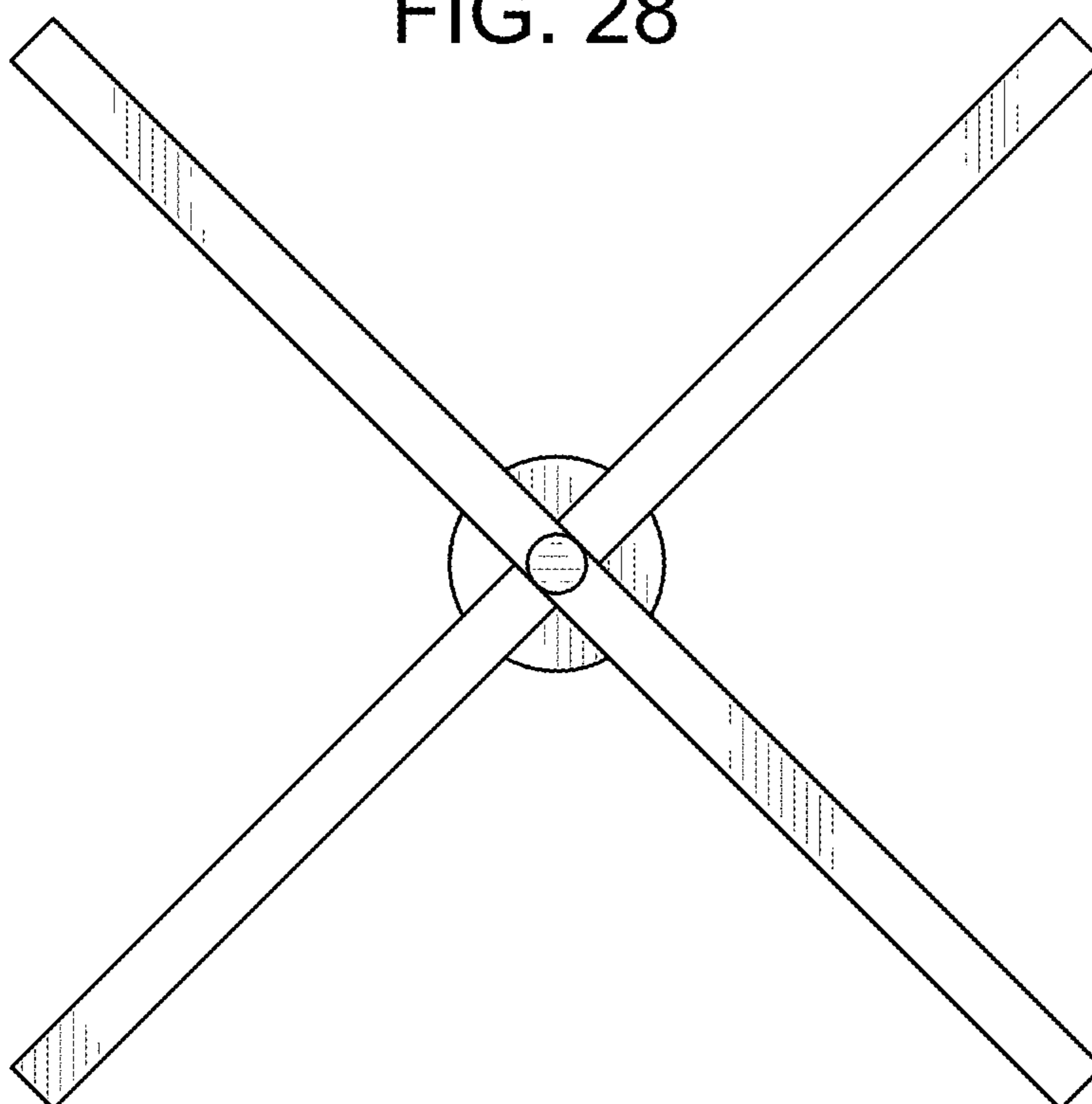


FIG. 29

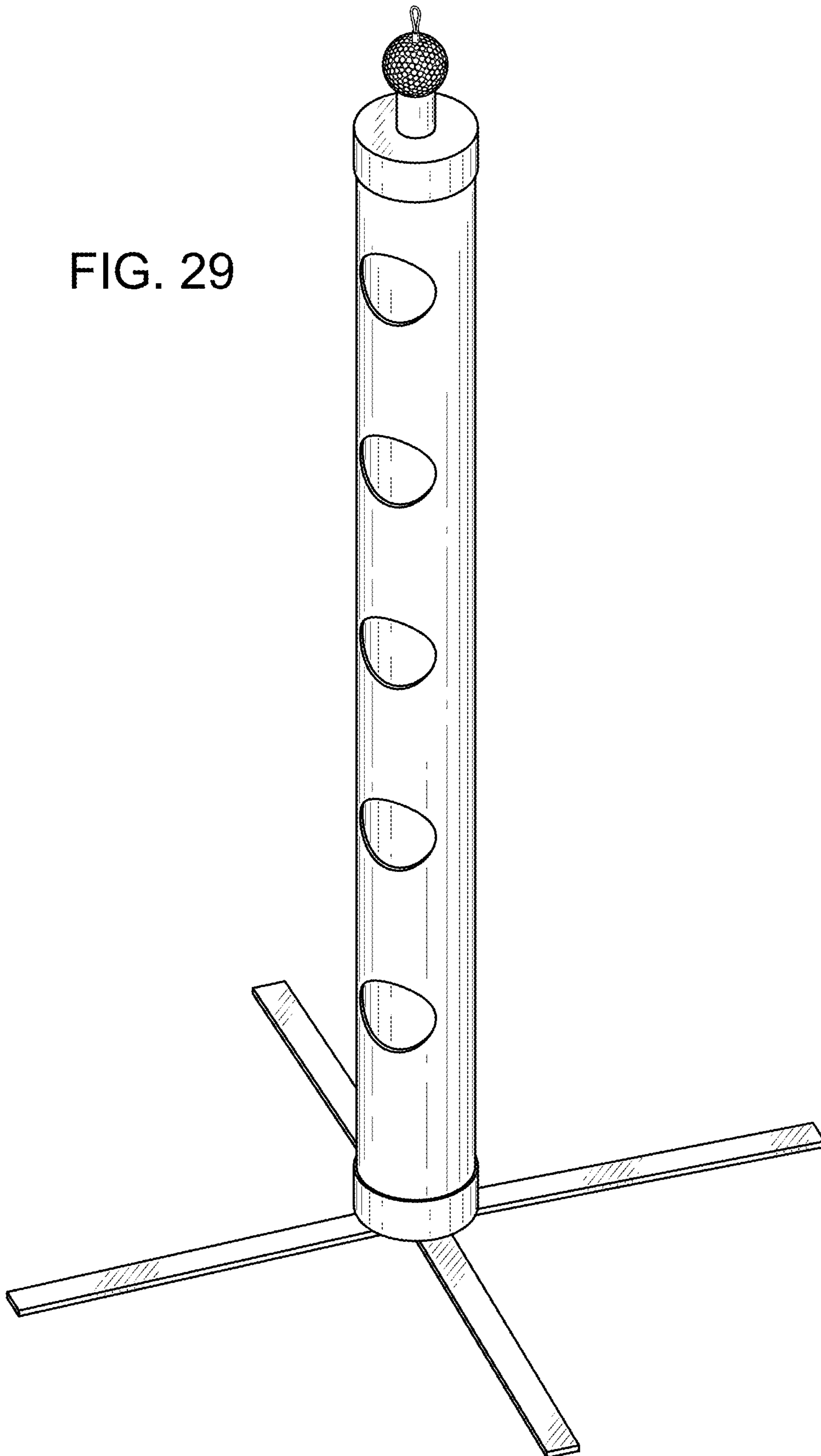


FIG. 30

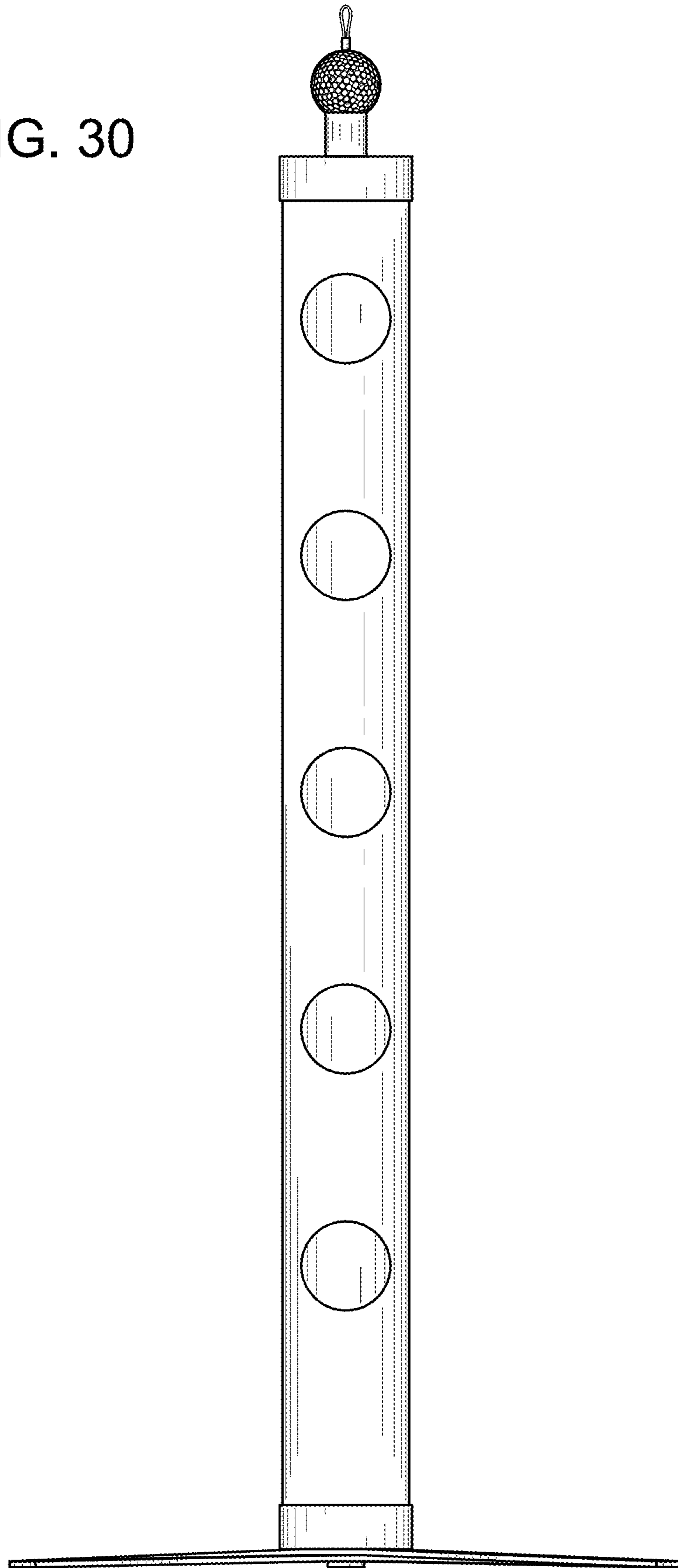


FIG. 31

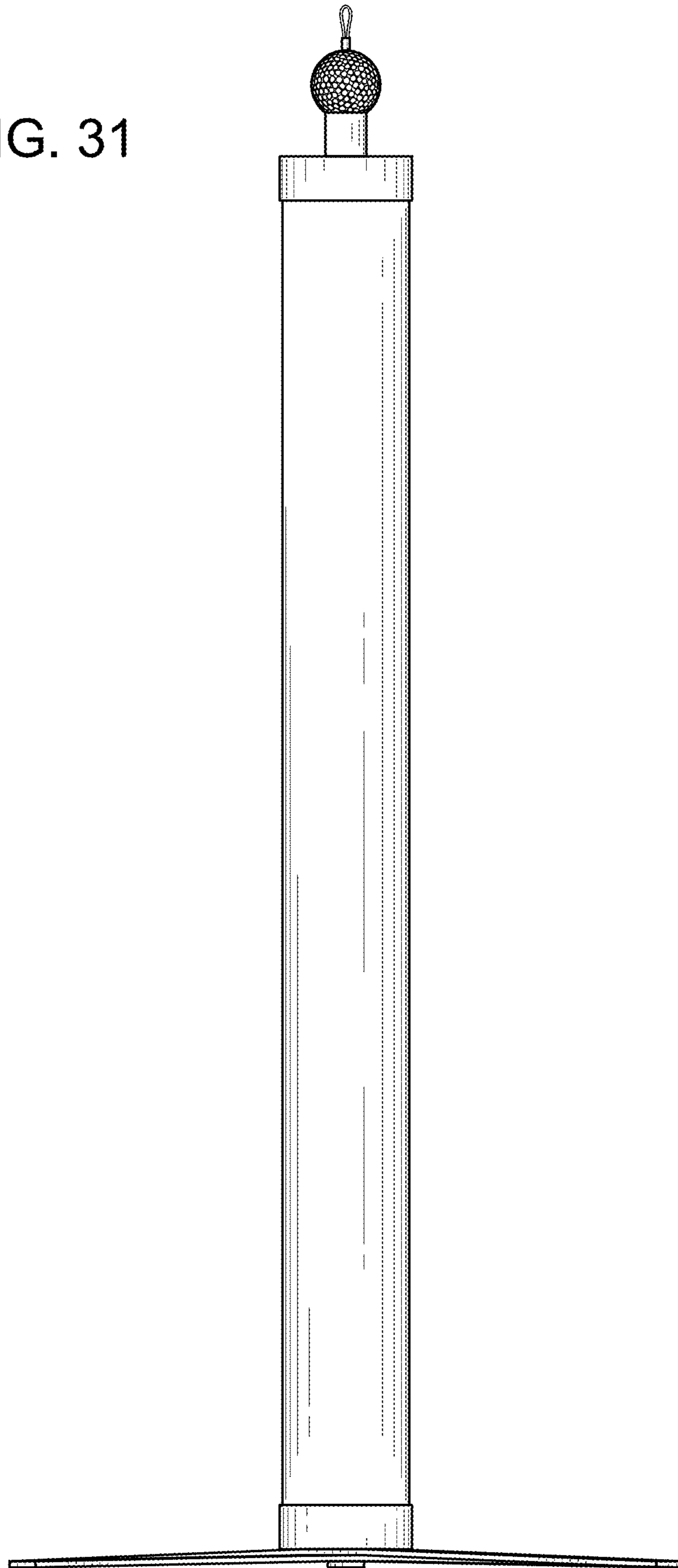


FIG. 32

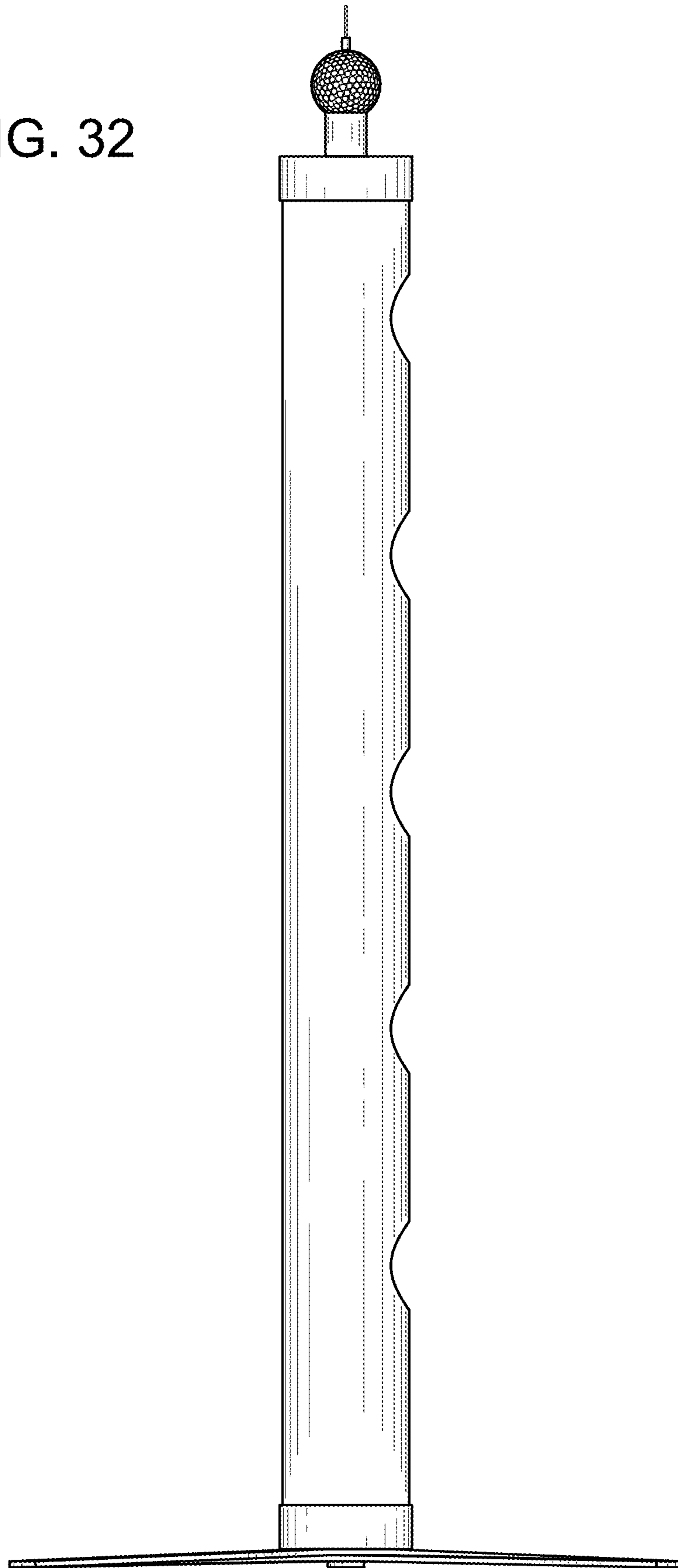


FIG. 33

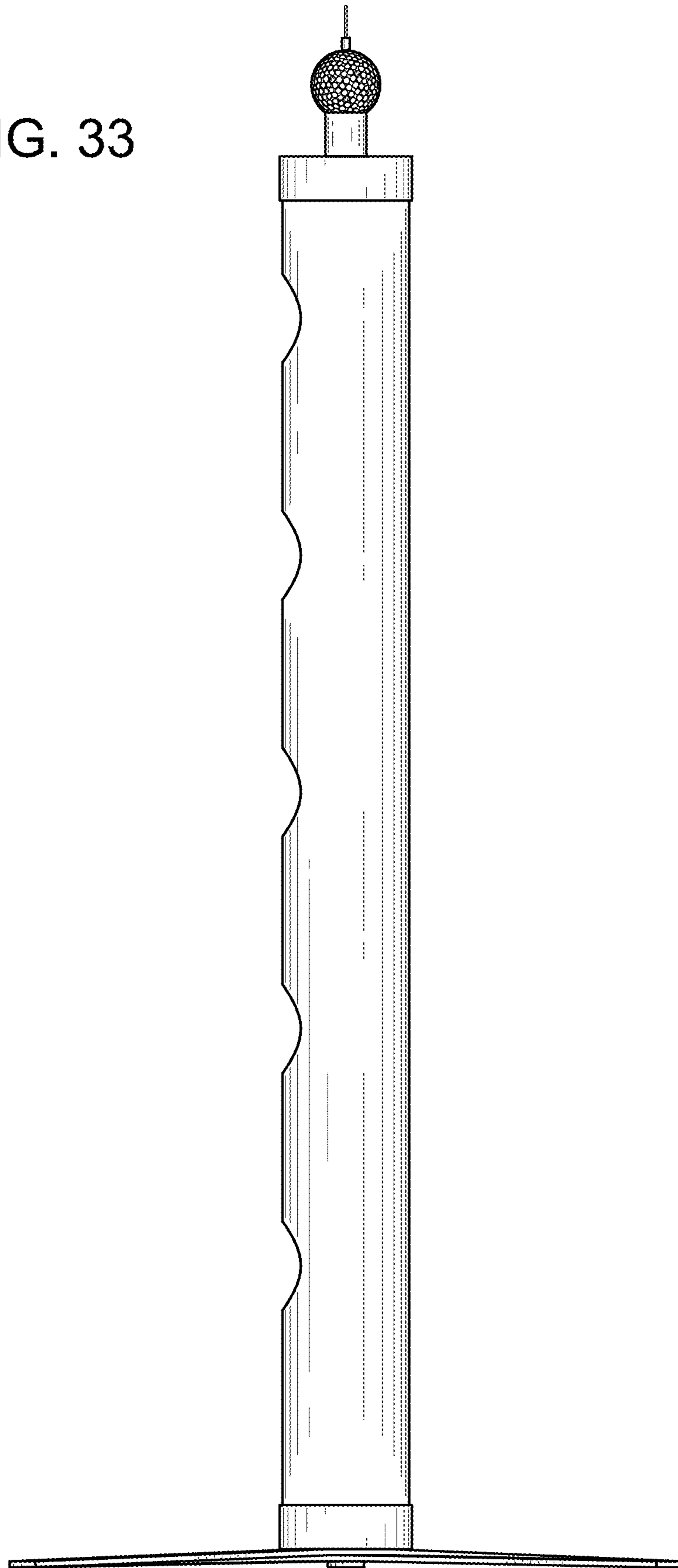


FIG. 34

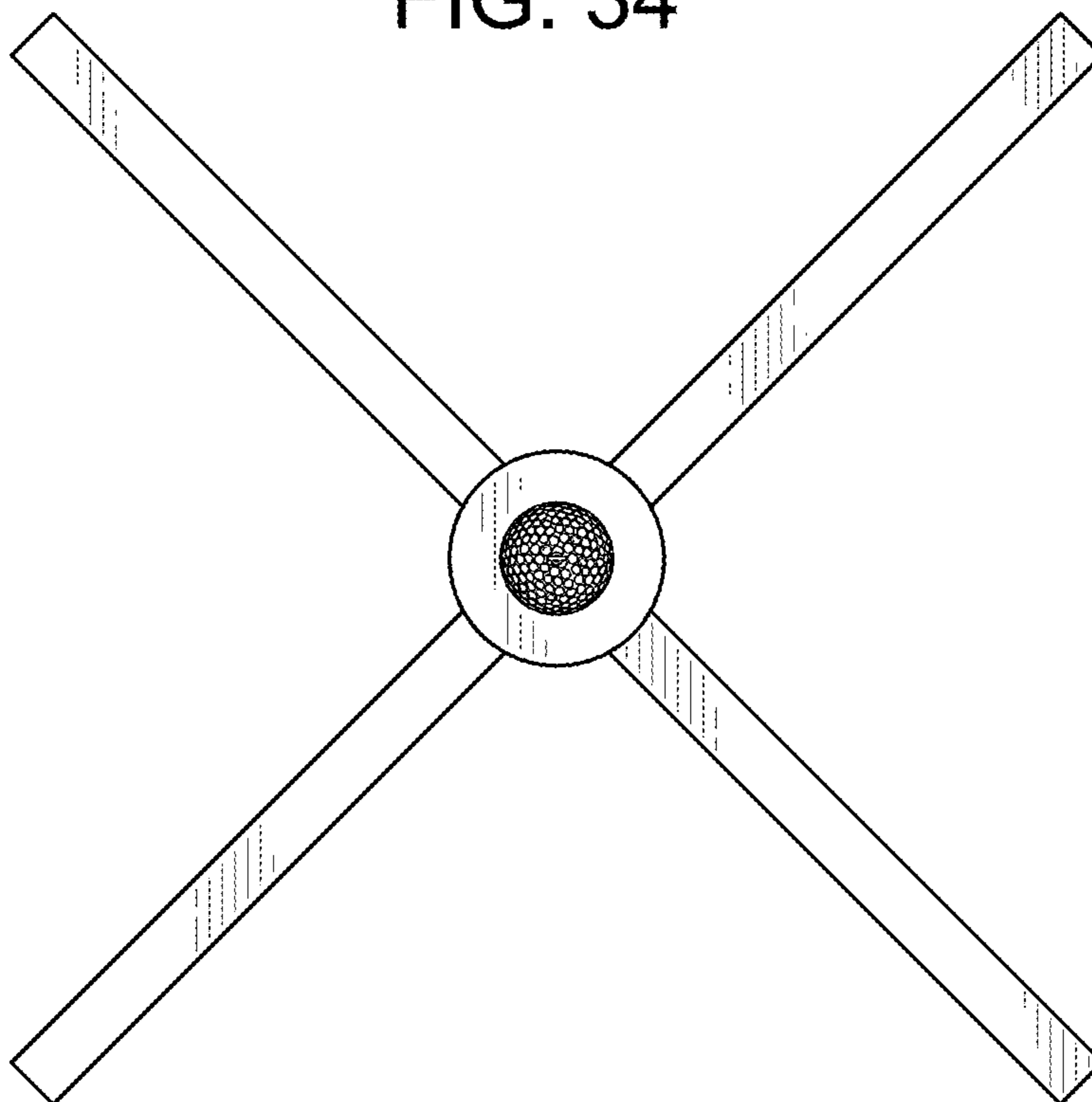


FIG. 35

