



US00D871528S

(12) **United States Design Patent** (10) **Patent No.:** **US D871,528 S**  
**Donnelly et al.** (45) **Date of Patent:** **\*\* Dec. 31, 2019**

(54) **MULTIPURPOSE WORKOUT AND STORAGE BENCH**

(71) Applicants: **John Robert Donnelly**, Shorewood, WI (US); **Tyler Steven William Danen**, Oconomowoc, WI (US); **David Thomas Rutledge**, Delafield, WI (US)

(72) Inventors: **John Robert Donnelly**, Shorewood, WI (US); **Tyler Steven William Danen**, Oconomowoc, WI (US); **David Thomas Rutledge**, Delafield, WI (US)

(\*\*) Term: **15 Years**

(21) Appl. No.: **29/636,351**

(22) Filed: **Feb. 7, 2018**

**Related U.S. Application Data**

(62) Division of application No. 29/581,845, filed on Oct. 21, 2016, now Pat. No. Des. 831,762.

(51) **LOC (12) Cl.** ..... **21-02**

(52) **U.S. Cl.**  
USPC ..... **D21/686**

(58) **Field of Classification Search**

USPC ..... D21/668, 688, 671, 686, 662, 689, 687, D21/413, 412, 423, 692, 694, 698, 760, D21/765, 766, 769, 803; 482/70, 79, 71, 482/132, 34, 146, 142, 93, 105, 110, 121, 482/123, 126, 130, 139, 141, 147, 148, 482/51, 52, 77; 472/135, 110, 14, 218, 472/269, 409, 451, 452; 600/595; 473/451, 452, 269, 409; D6/349, 353, D6/406.3, 582, 592, 685, 707.22; 280/205, 87.042, 609; D14/413, 419  
CPC ..... A63B 22/001; A63B 21/4035; A63B 22/0664; A63B 21/0552; A63B 21/225; A63B 2208/0204; A63B 21/0442

See application file for complete search history.

(56) **References Cited**

U.S. PATENT DOCUMENTS

5,050,861	A *	9/1991	Thomas	.....	A63B 23/0458
					108/107
5,575,742	A *	11/1996	Wu	.....	A63B 23/0211
					482/142
5,855,536	A *	1/1999	Wilkinson	.....	A47C 12/02
					297/423.41
D423,237	S *	4/2000	Chang	.....	D6/336
7,601,101	B2 *	10/2009	Jackson	.....	A63B 21/04
					482/142
7,614,988	B1 *	11/2009	Kiser	.....	A47C 11/00
					482/142
9,061,172	B1 *	6/2015	Carrier	.....	A63B 23/0458
9,308,409	B2 *	4/2016	Beaver	.....	A63B 23/0458
9,770,618	B2 *	9/2017	Wall	.....	A63B 21/0552
9,878,198	B2 *	1/2018	Johnson	.....	A63B 22/20
D831,762	S *	10/2018	Donnelly	.....	D21/690

(Continued)

*Primary Examiner* — Ryan Harvey

(74) *Attorney, Agent, or Firm* — Quickpatents, LLC; Kevin Prince

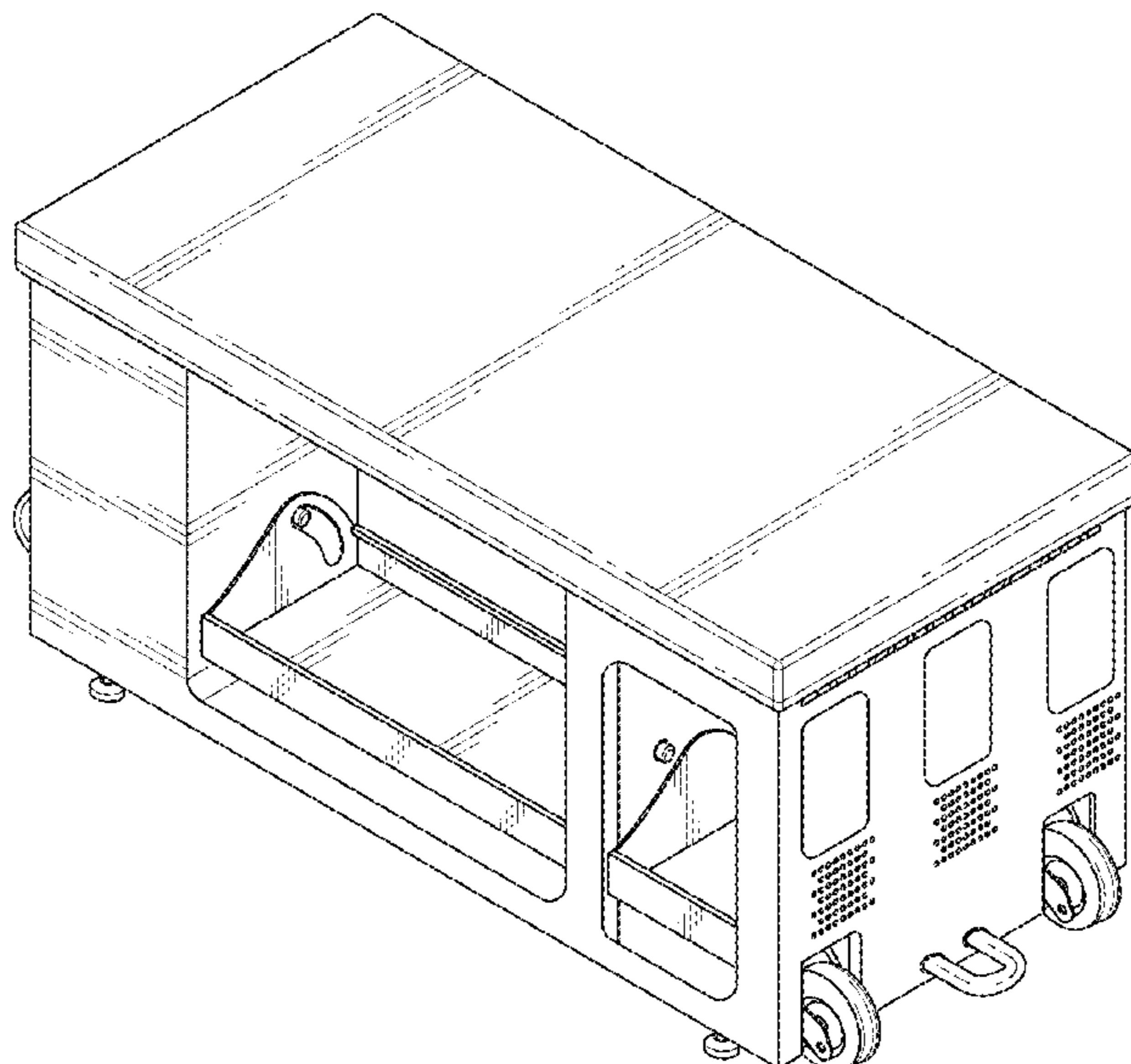
(57) **CLAIM**

We claim the ornamental design for a multipurpose workout and storage bench, as shown and described.

**DESCRIPTION**

FIG. 1 is a front left perspective view of a multipurpose workout and storage bench, showing our new design; FIG. 2 is a rear perspective view thereof; FIG. 3 is a front elevational view thereof; FIG. 4 is a rear elevational view thereof; FIG. 5 is a left-side elevational view thereof, the right-side elevational view being a mirror image thereof; FIG. 6 is a front right perspective view thereof; FIG. 7 is a top plan view thereof; and, FIG. 8 is a bottom plan view thereof.

**1 Claim, 5 Drawing Sheets**



(56)

**References Cited**

U.S. PATENT DOCUMENTS

10,226,662	B1 *	3/2019	Mink .....	A63B 21/4029
2005/0164855	A1 *	7/2005	Li .....	A63B 23/0458
				482/142
2006/0142129	A1 *	6/2006	Siaperas .....	A63B 21/04
				482/142
2017/0100622	A1 *	4/2017	Wall .....	A63B 21/0552
2018/0133538	A1 *	5/2018	Jones .....	A63B 21/075
2018/0236298	A1 *	8/2018	Donnelly .....	A63B 21/0726

\* cited by examiner

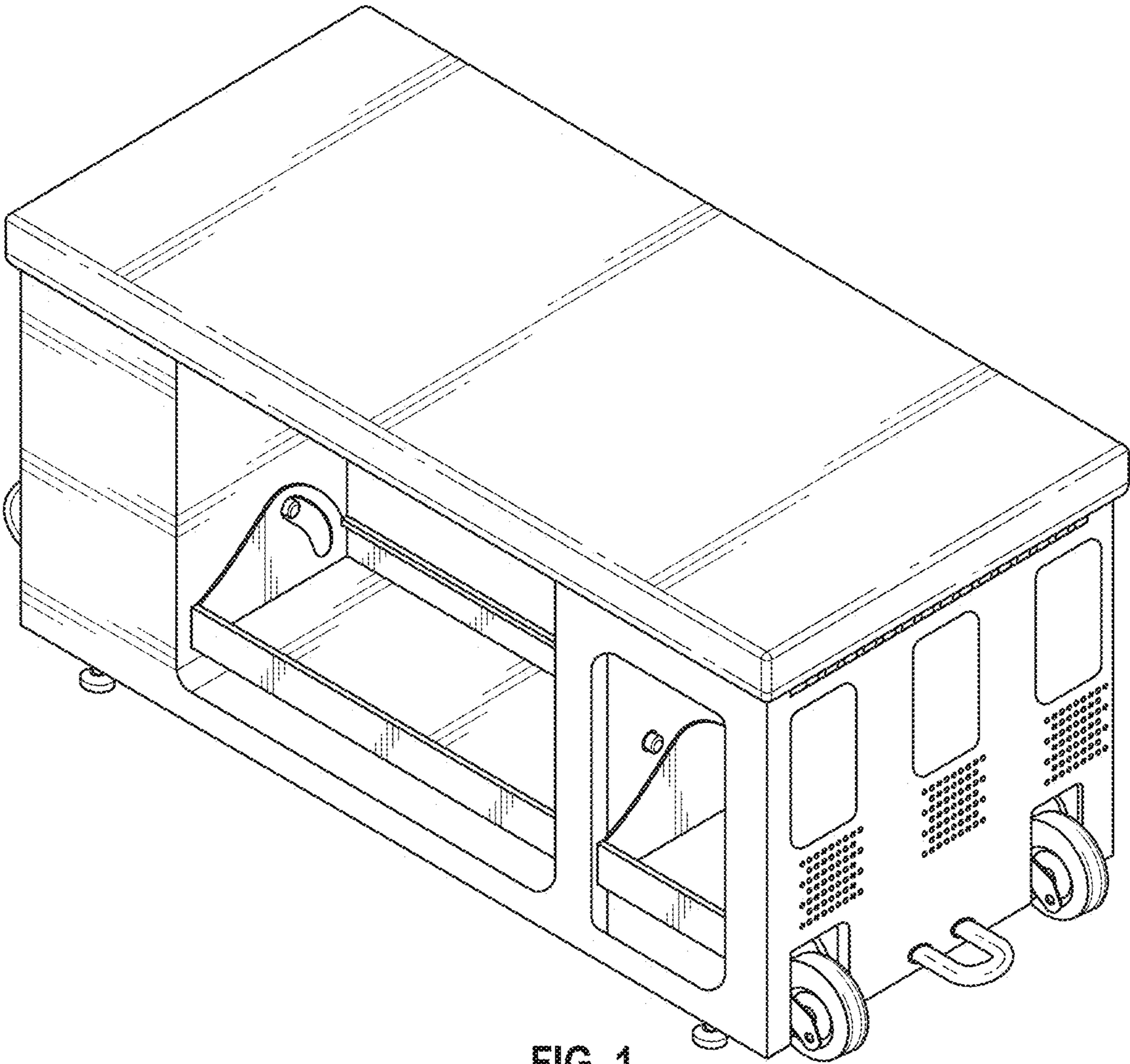


FIG. 1

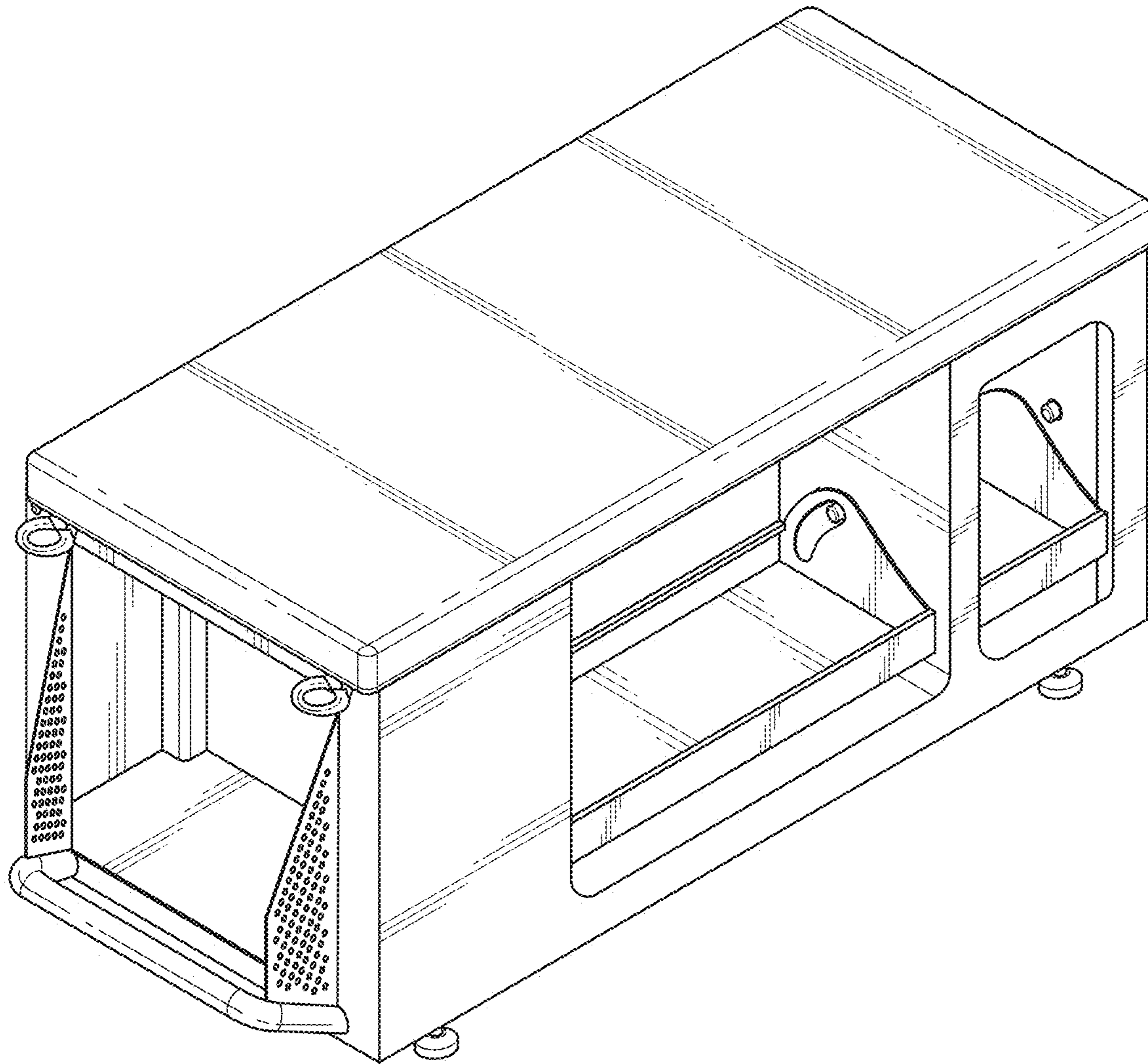


FIG. 2

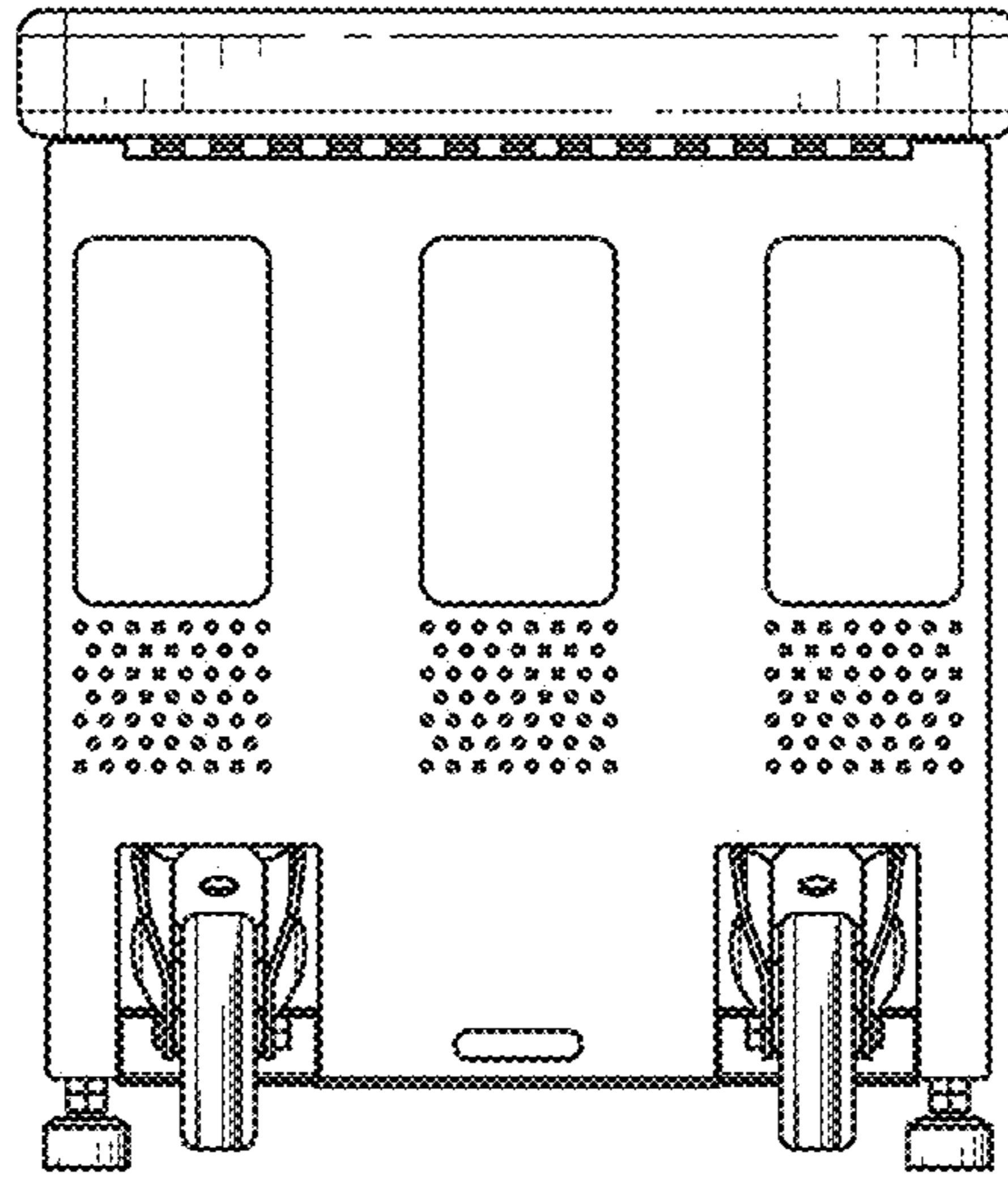


FIG. 3

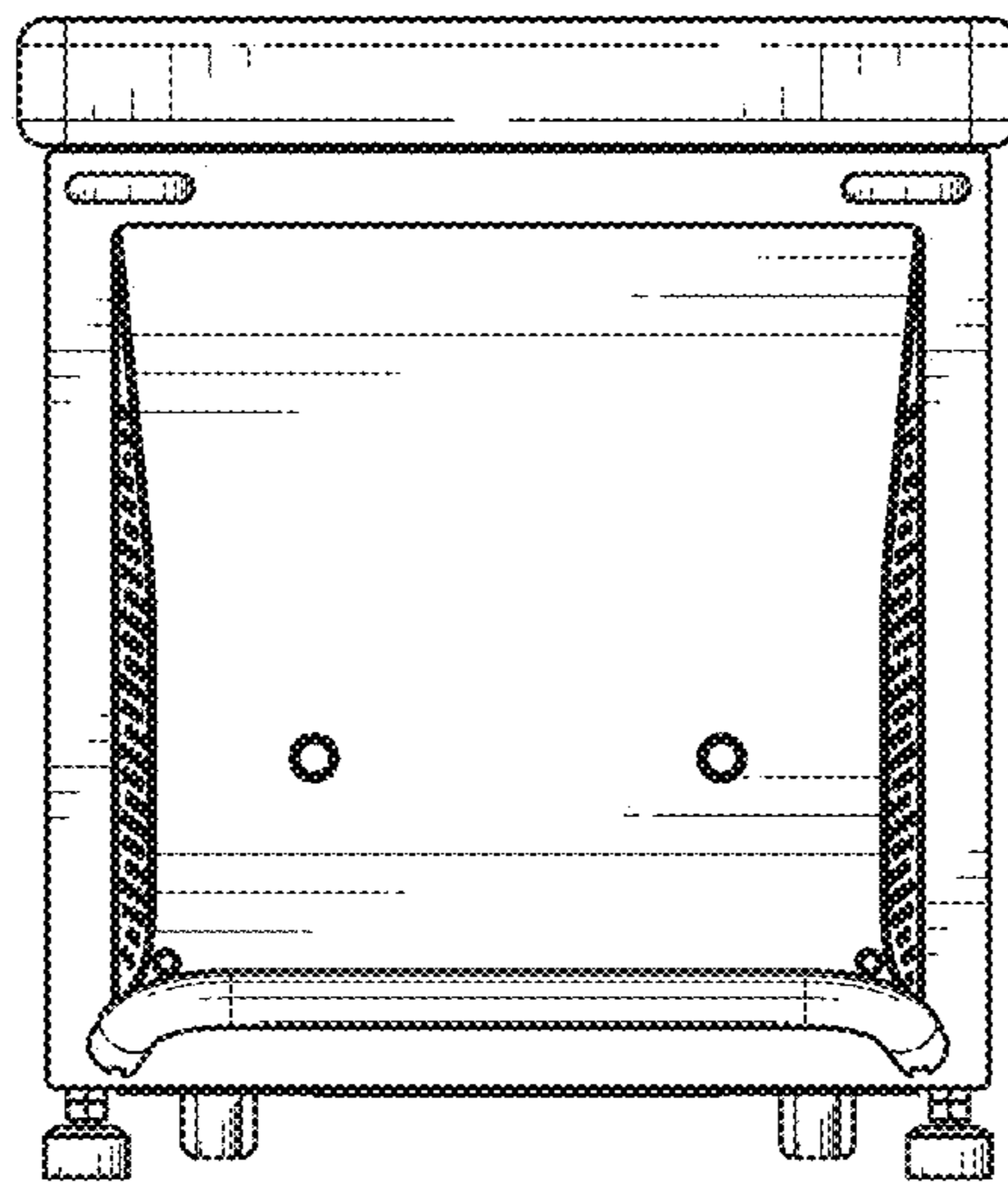


FIG. 4

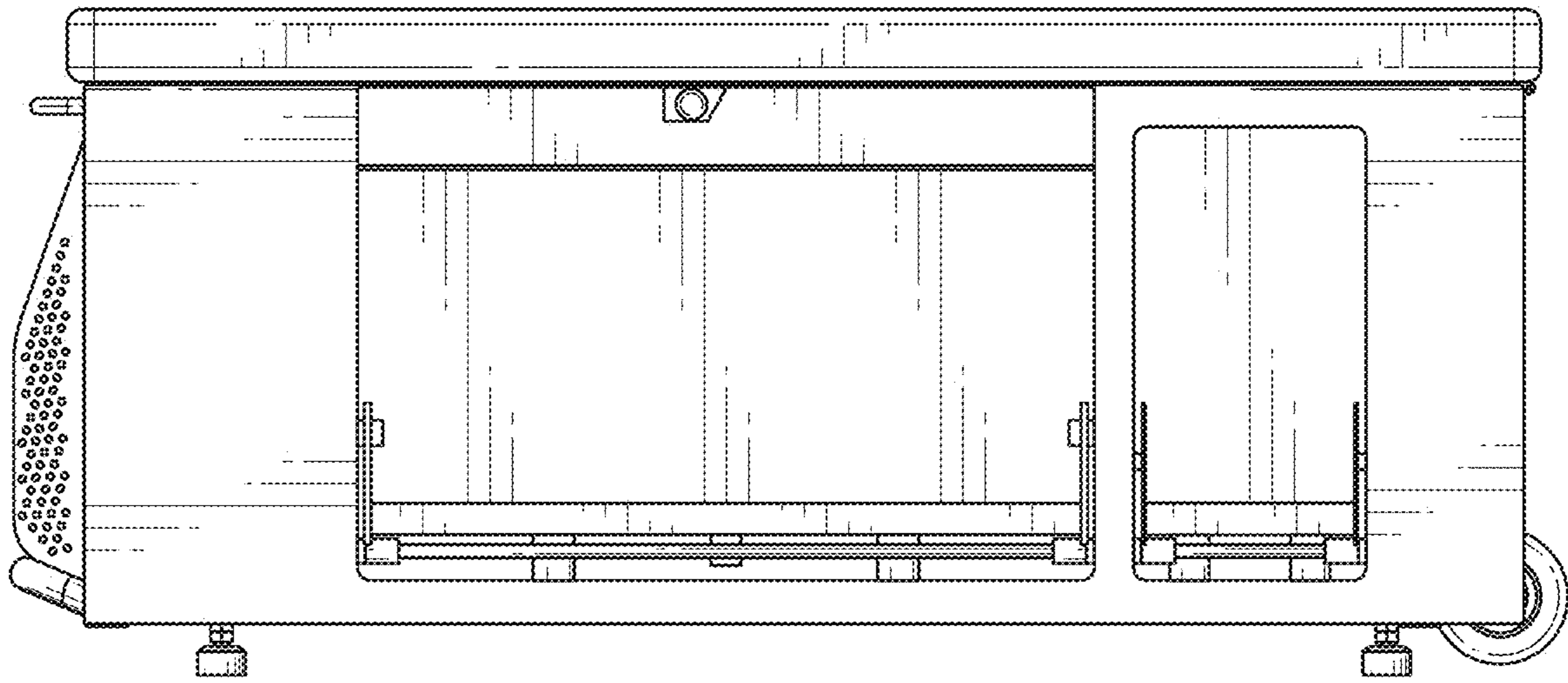


FIG. 5

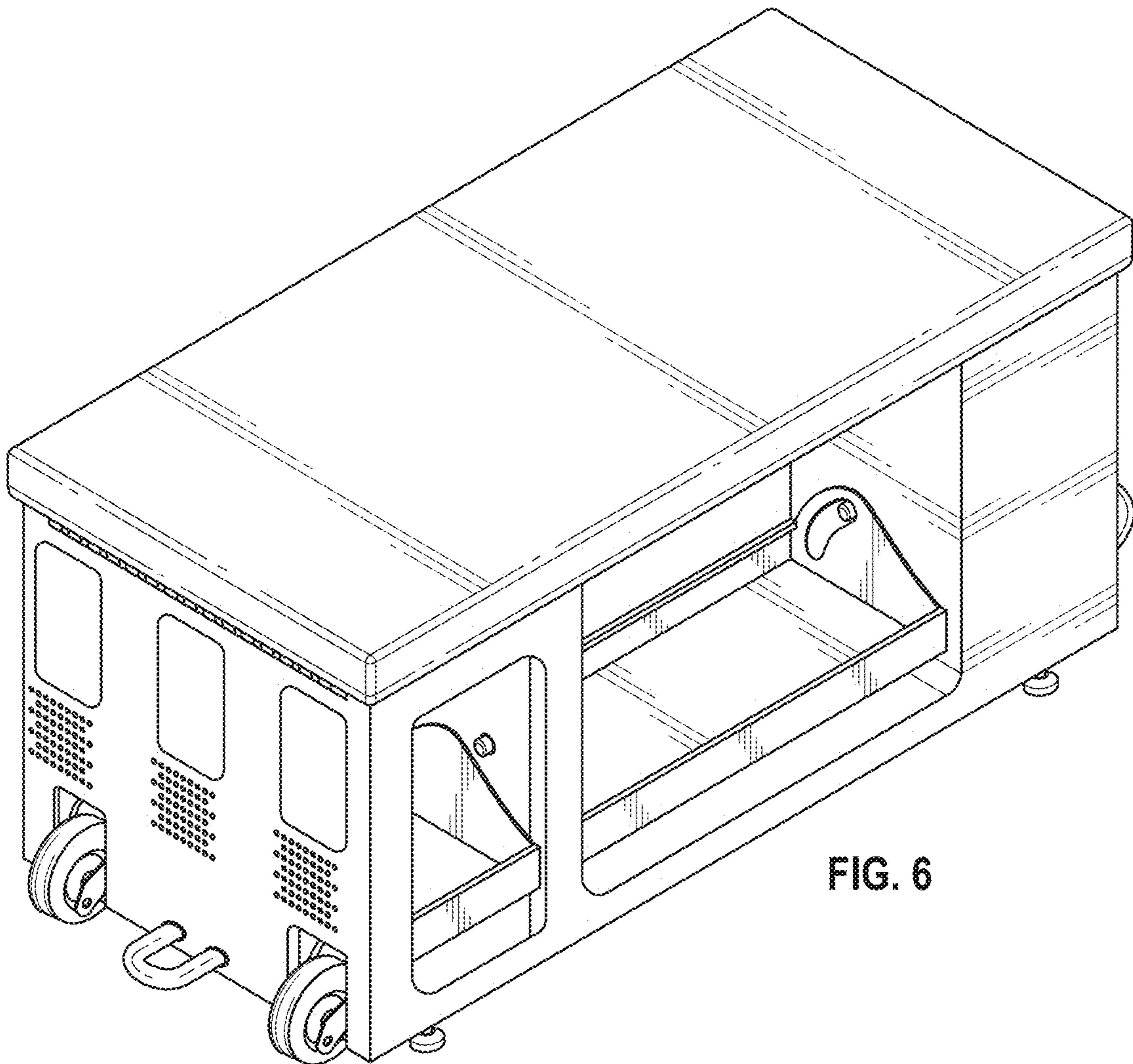


FIG. 6

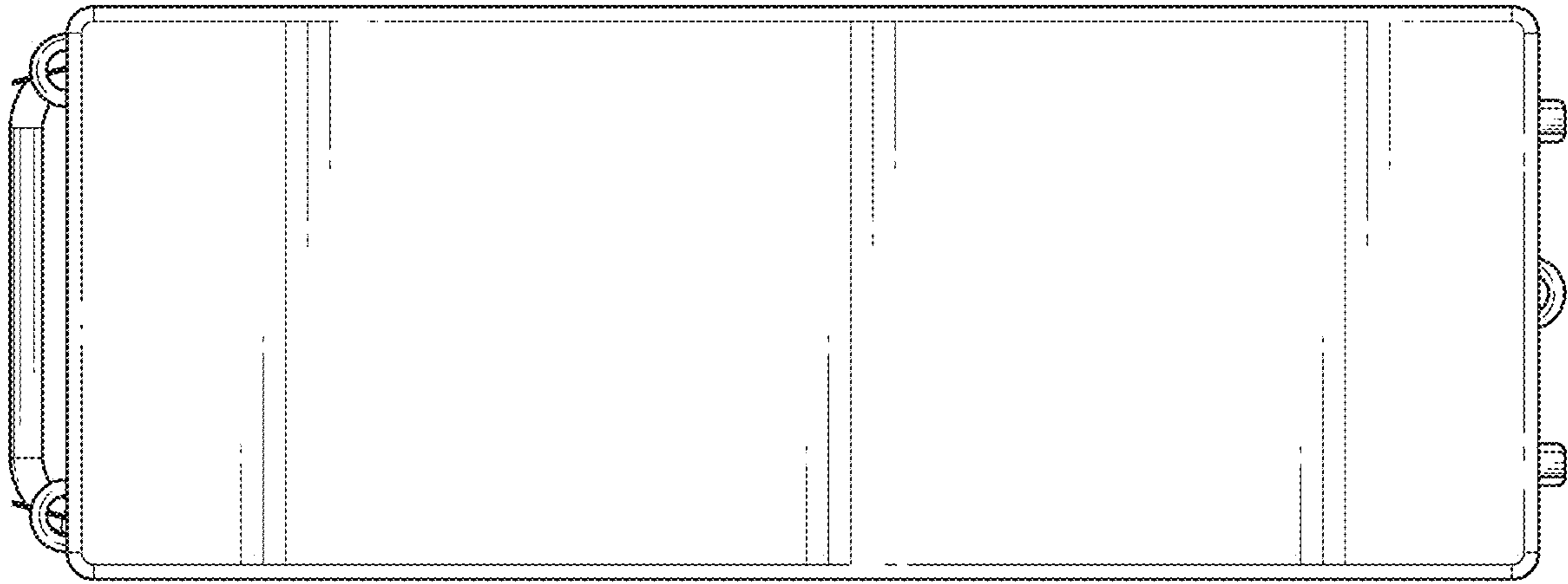


FIG. 7

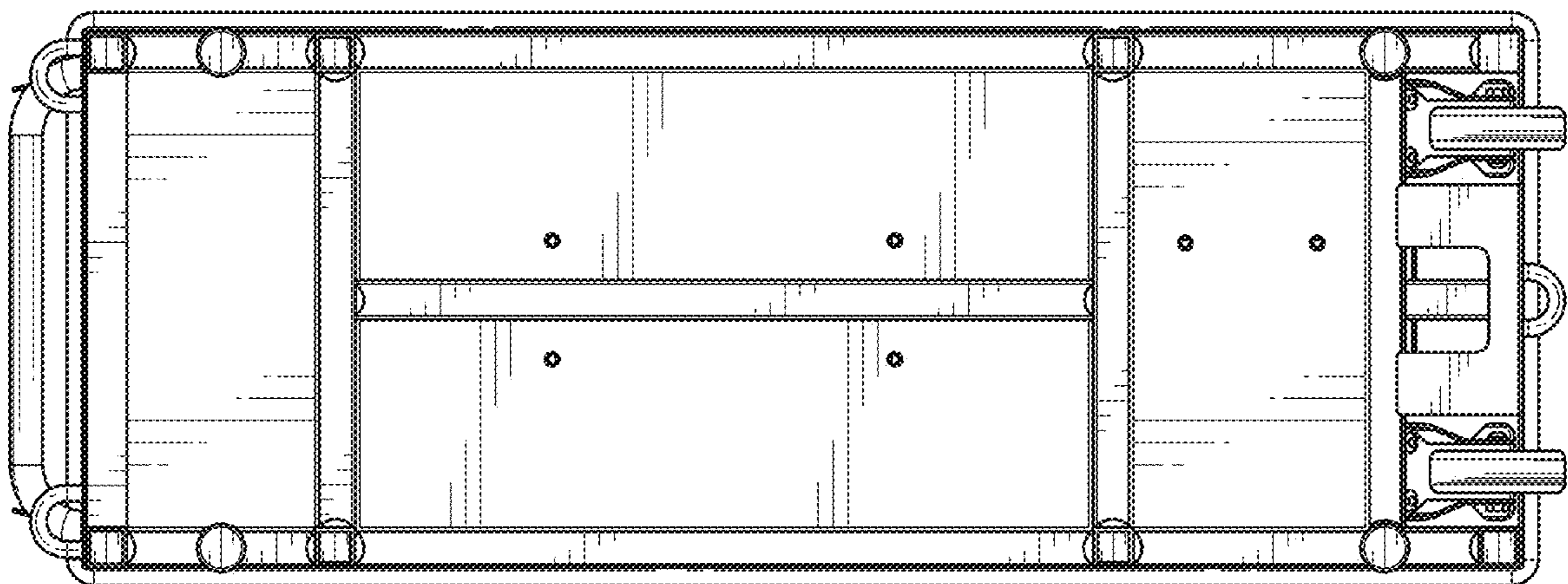


FIG. 8