



US00D871527S

(12) **United States Design Patent** (10) **Patent No.:** **US D871,527 S**
Blum (45) **Date of Patent:** **** Dec. 31, 2019**

(54) **EXERCISE BALL**
(71) Applicant: **Brunswick Corporation**, Mettawa, IL (US)
(72) Inventor: **Matthew P. Blum**, Chicago, IL (US)
(73) Assignee: **LIFE FITNESS, LLC**, Rosemont, IL (US)
(**) Term: **15 Years**
(21) Appl. No.: **29/629,959**
(22) Filed: **Dec. 18, 2017**
(51) **LOC (12) Cl.** **21-02**
(52) **U.S. Cl.**
USPC **D21/680**
(58) **Field of Classification Search**
USPC 119/702, 707; 446/220-226, 227, 400, 446/431, 486; 473/569-575, 576-580, 473/581-585, 586-591, 592-597, 473/598-603; D11/125, 48; D21/662, D21/678, 680, 707-714, 716, 788; D30/160; 482/91, 93, 105, 122, 148
CPC ... A63B 21/06; A63B 2213/00; A63B 26/003; A63B 37/0043; A63B 37/0004; A63B 43/00; A63B 2037/125
See application file for complete search history.

6,287,226 B1 * 9/2001 Dilling A63B 39/08 473/598
D478,367 S * 8/2003 Traub D21/713
D494,233 S 8/2004 Kerry
D516,145 S * 2/2006 Oblack D21/713
D577,396 S * 9/2008 Burger D21/713
D609,290 S * 2/2010 Oblack D21/713
D673,740 S * 1/2013 Burger D21/707
D683,800 S 6/2013 Ebio
D702,301 S * 4/2014 Otto D21/713
8,683,958 B2 * 4/2014 Oblack F41B 3/04 119/707
D705,876 S * 5/2014 Oblack D21/712
D774,150 S 12/2016 Holland et al.
D775,287 S 12/2016 Pawlas
9,694,230 B2 7/2017 Cooper

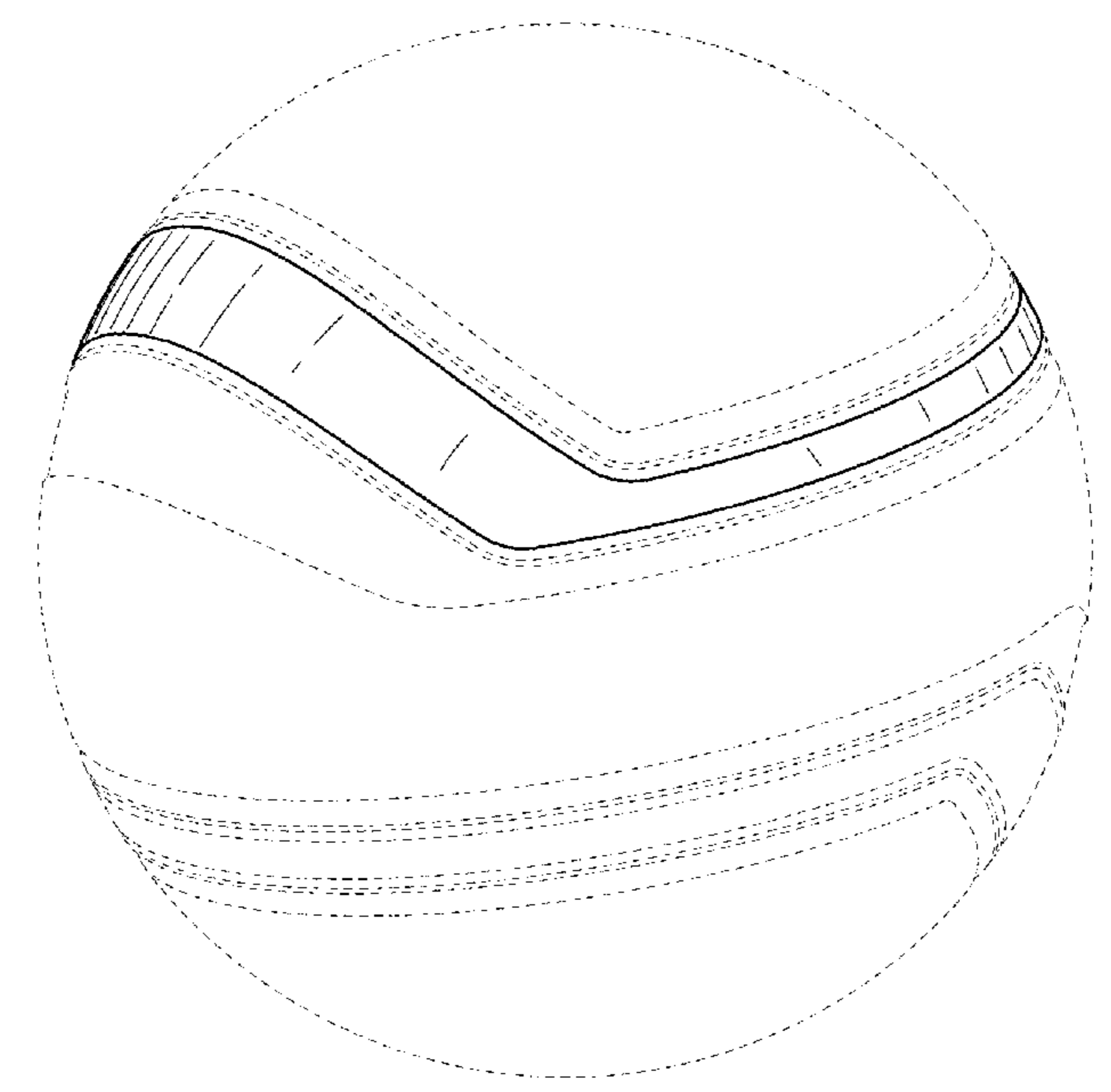
* cited by examiner
Primary Examiner — Cynthia Ramirez
Assistant Examiner — Michael A Maharajh
(74) *Attorney, Agent, or Firm* — Andrus Intellectual Property Law, LLP

(57) **CLAIM**
The ornamental design for an exercise ball, as shown and described.

DESCRIPTION
FIG. 1 is a front perspective view of an exercise ball, showing my new design.
FIG. 2 is a front view thereof.
FIG. 3 is a rear view thereof.
FIGS. 4 and 5 are opposing side views thereof.
FIG. 6 is a top view thereof; and,
FIG. 7 is a bottom view thereof.
The broken lines in the drawings are for the purpose of illustrating portions of the exercise ball, which form no part of the claimed design.

1 Claim, 4 Drawing Sheets

(56) **References Cited**
U.S. PATENT DOCUMENTS
2,840,024 A * 6/1958 Haas A63B 37/12 473/598
5,048,829 A * 9/1991 Prokupek A63B 43/002 473/595
5,588,648 A * 12/1996 Stebbins A63B 37/02 473/600
D393,020 S * 3/1998 Arcos D21/713



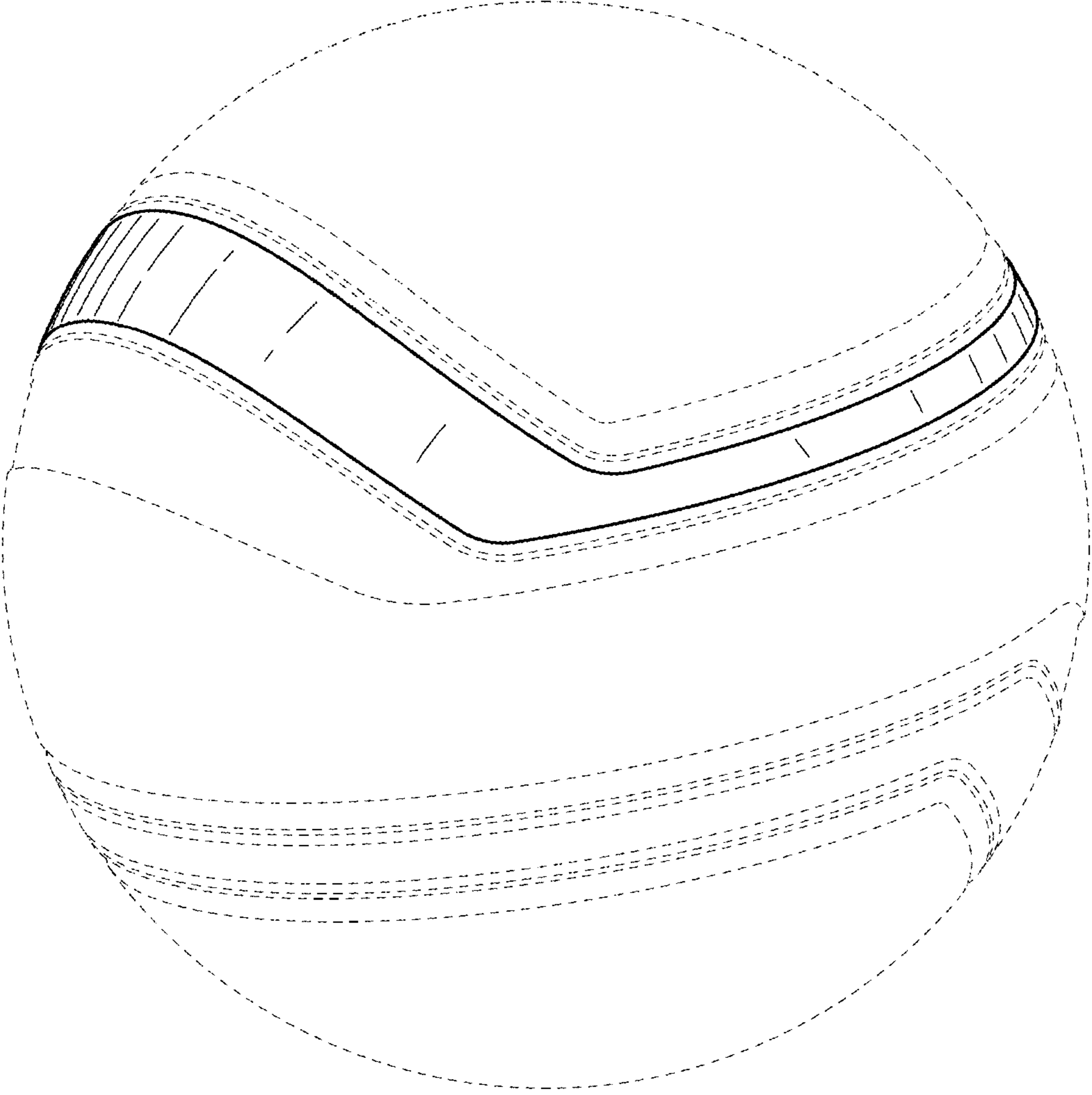


FIG. 1

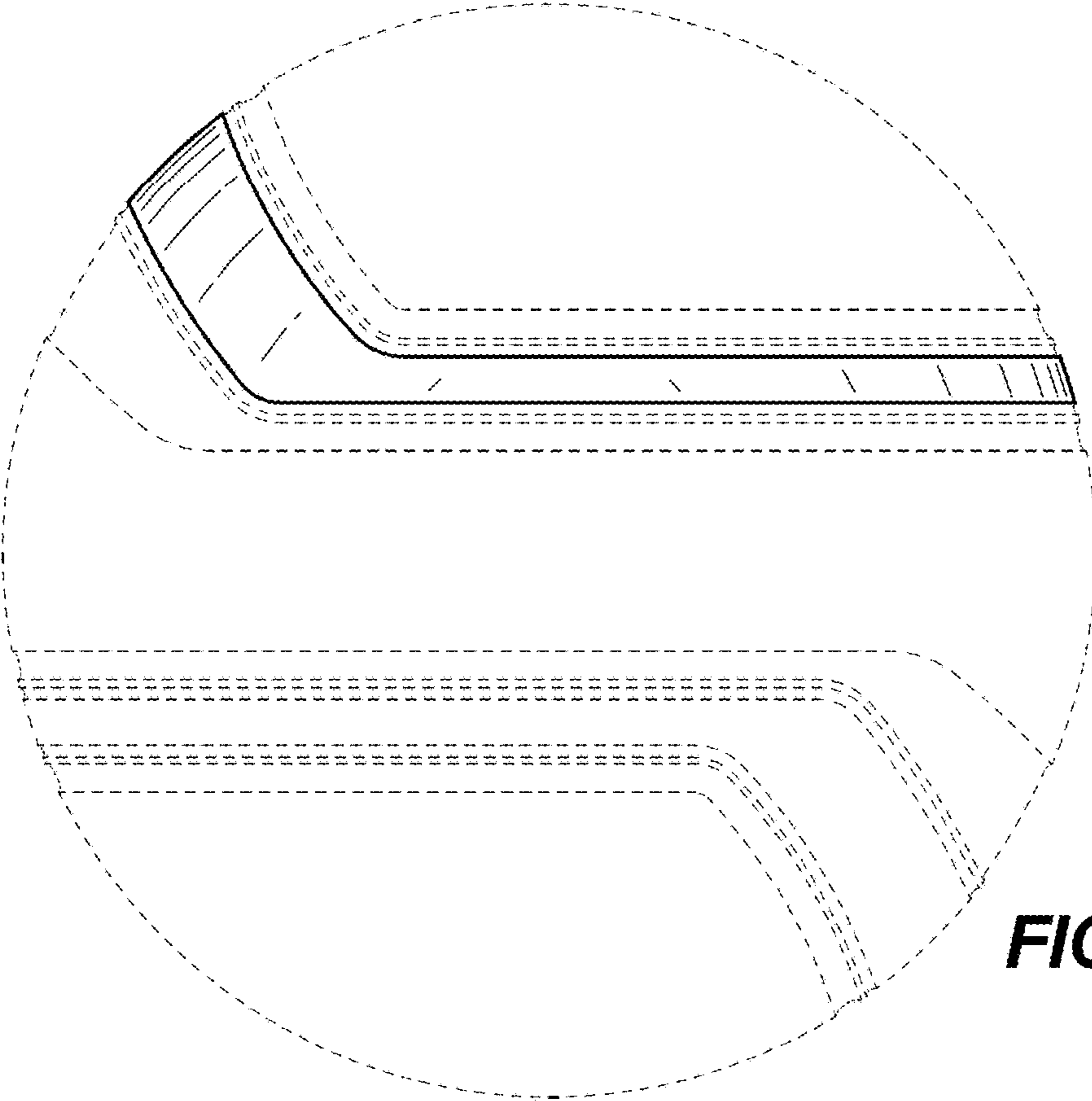


FIG. 2

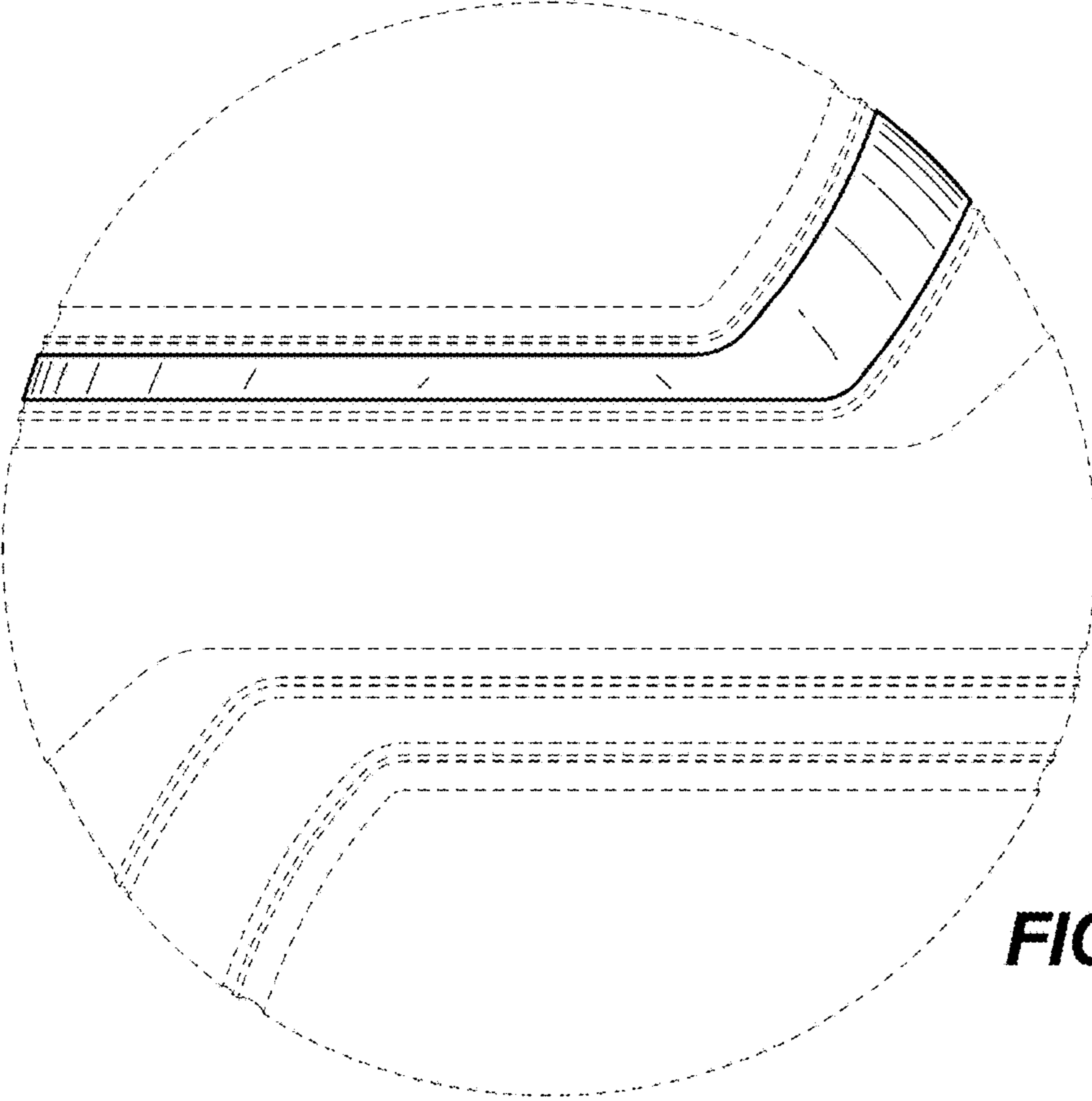


FIG. 3

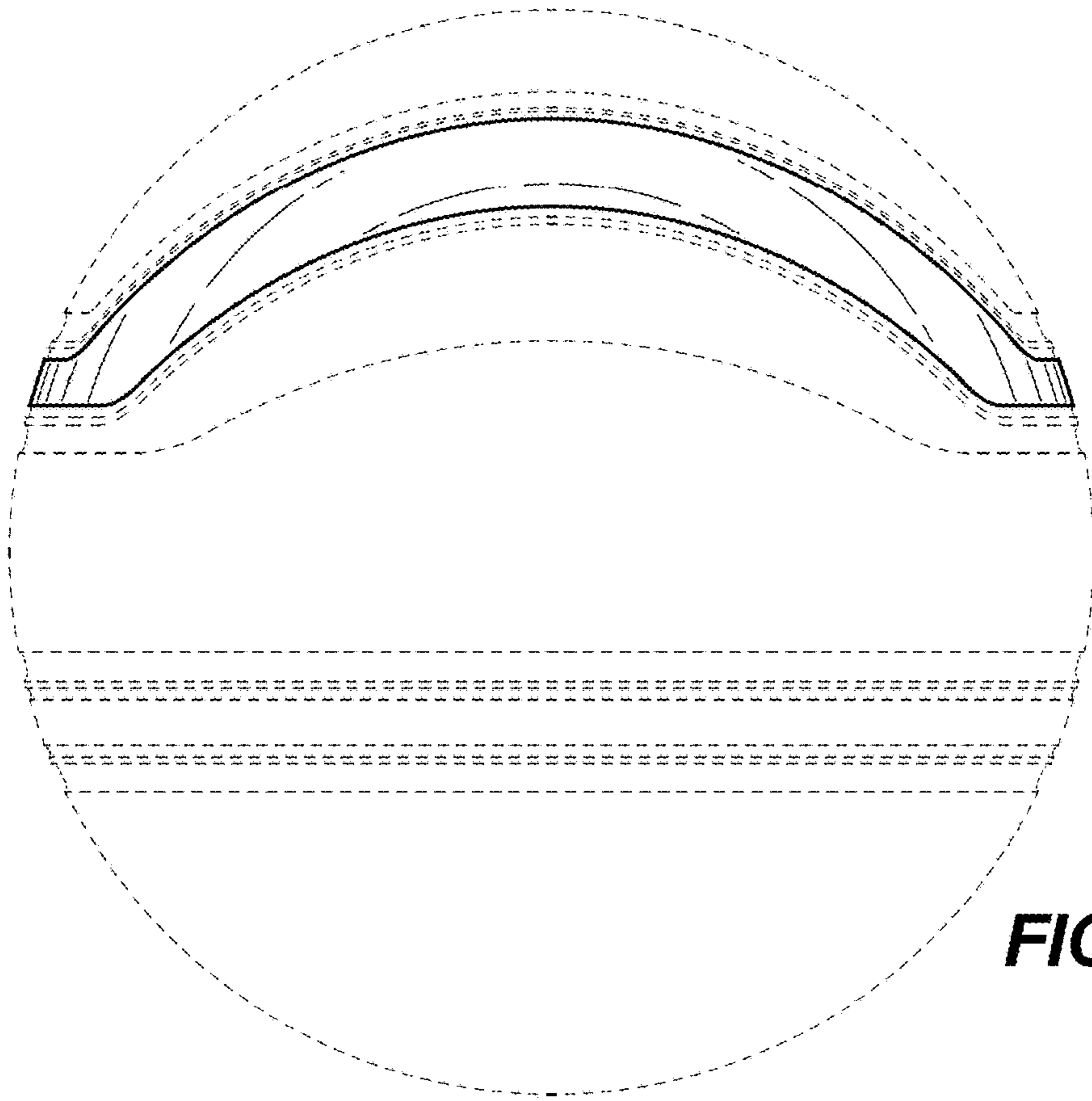


FIG. 4

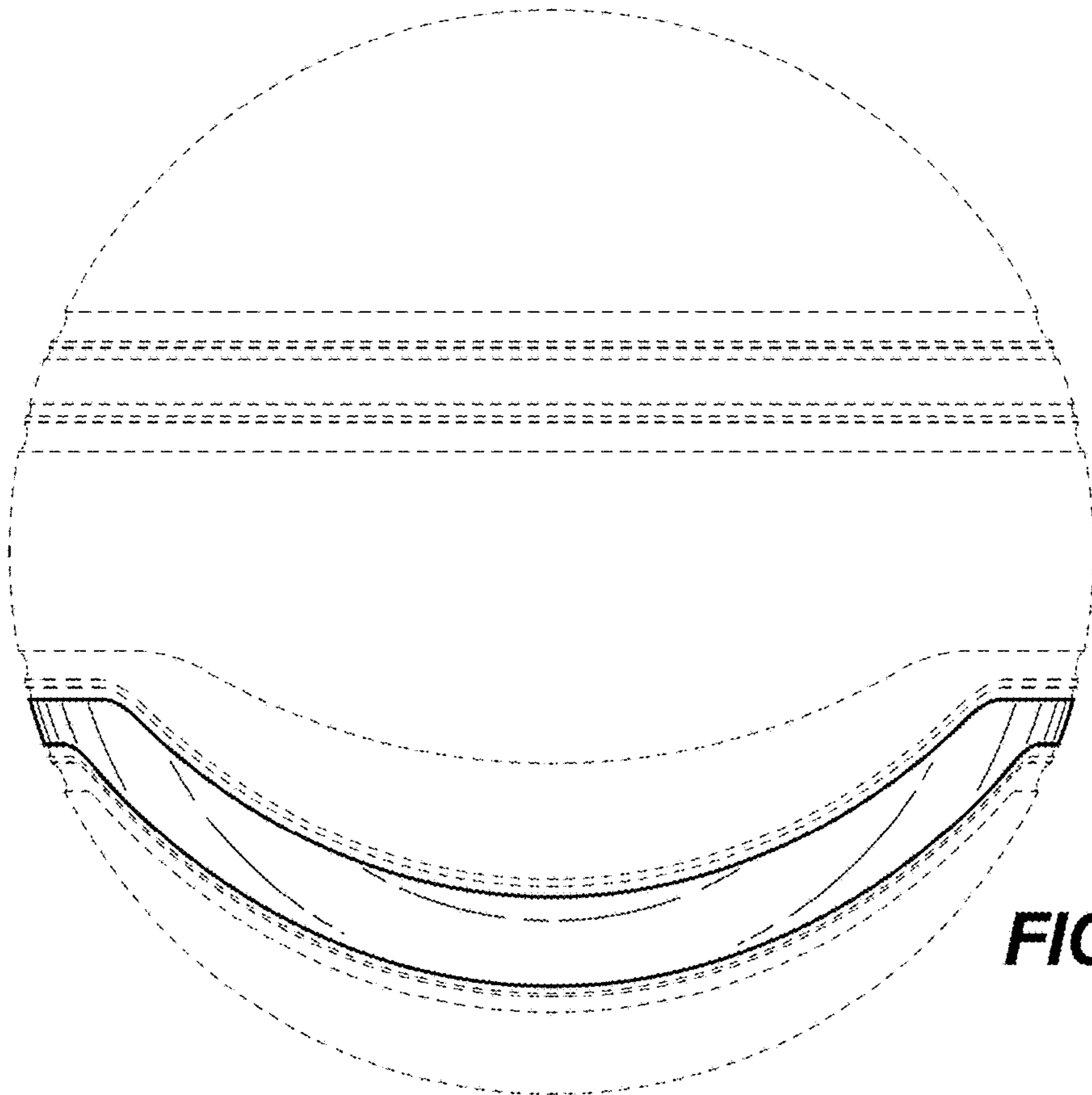


FIG. 5

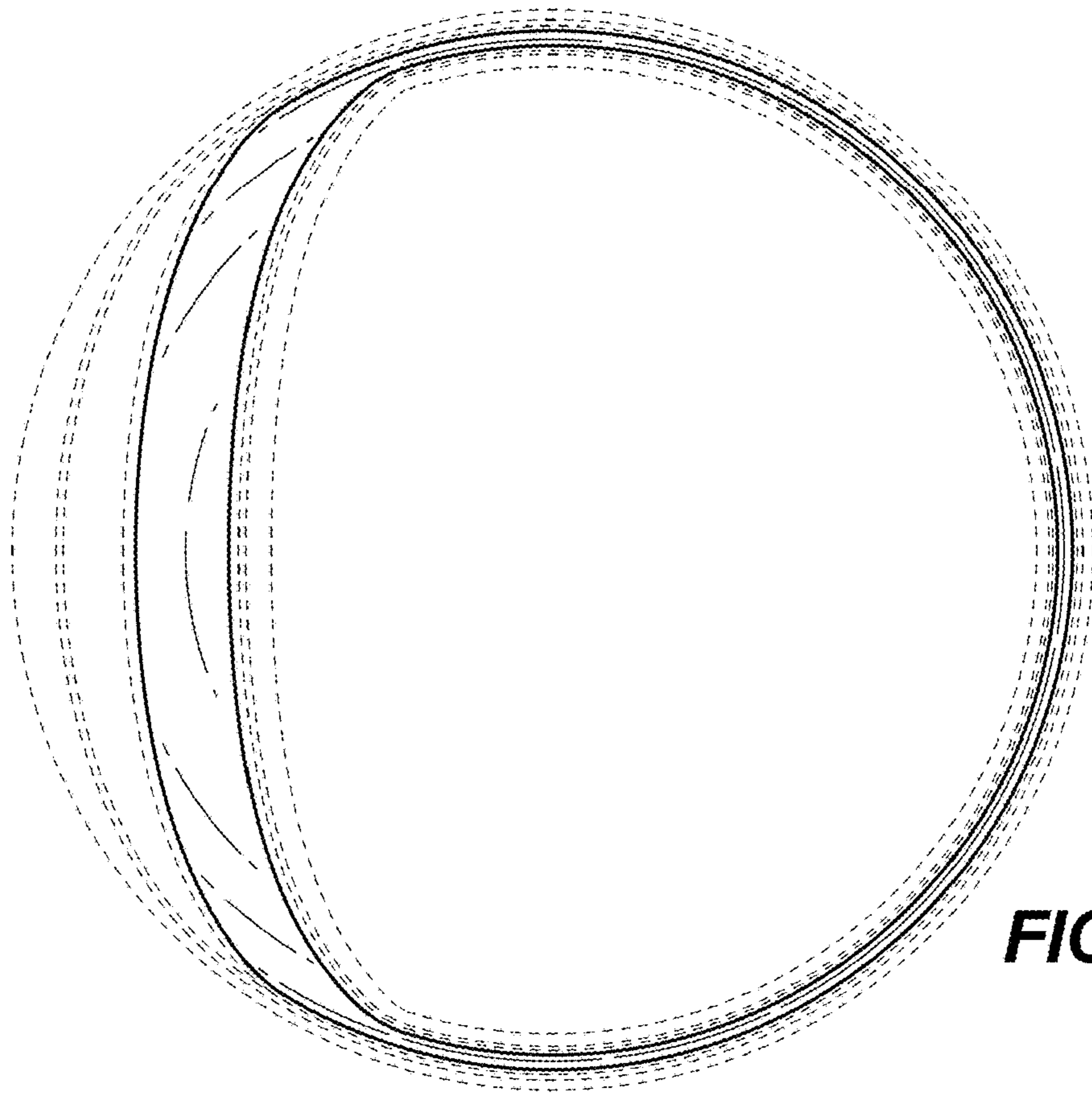


FIG. 6

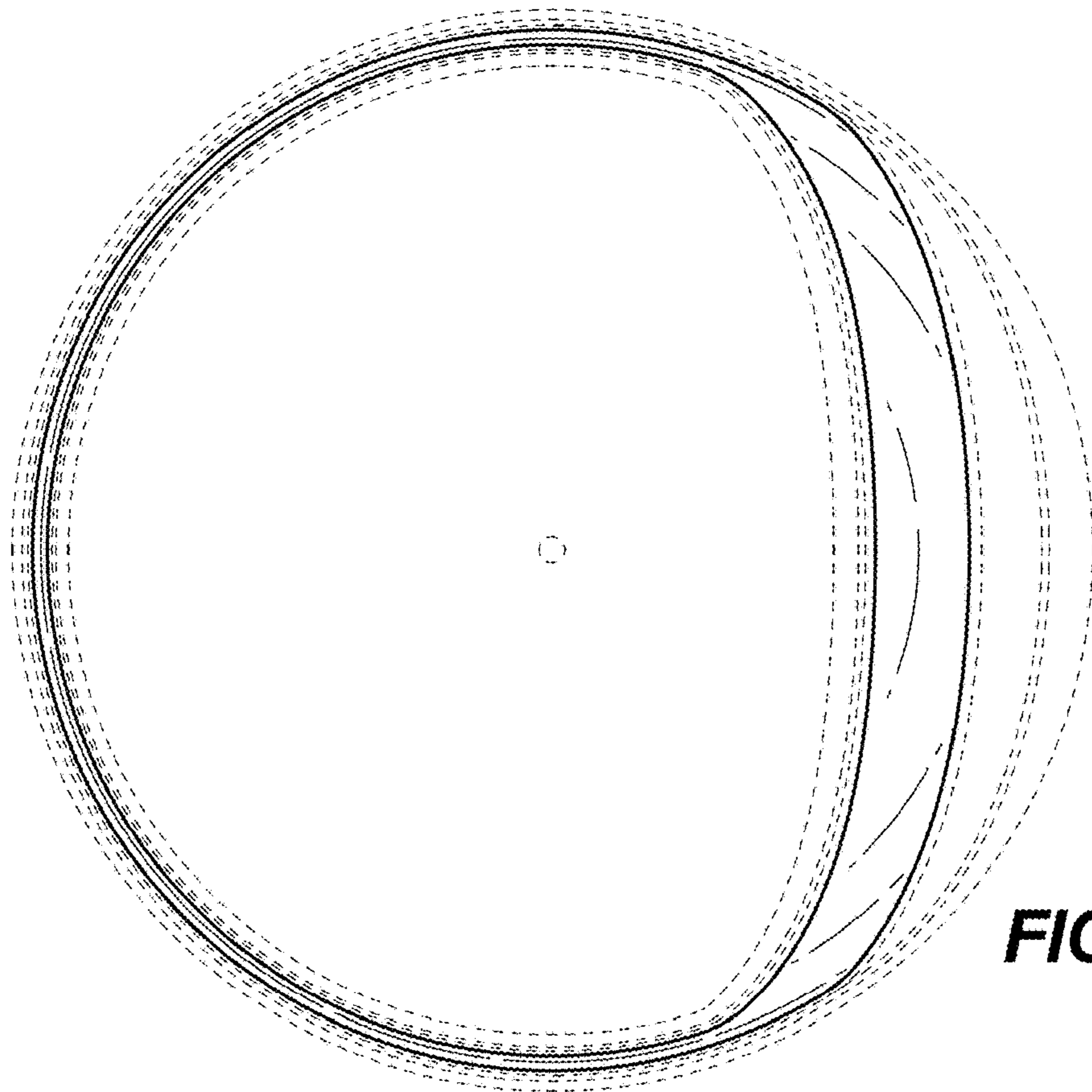


FIG. 7