



US00D871510S

(12) **United States Design Patent** (10) **Patent No.:** **US D871,510 S**  
**Martisauskas et al.** (45) **Date of Patent:** **\*\* Dec. 31, 2019**

(54) **SCOOTER INTERFACE DEVICE**  
(71) Applicant: **Lyft, Inc.**, San Francisco, CA (US)  
(72) Inventors: **Steven James Martisauskas**, San Francisco, CA (US); **Carlos Ellis Whitt**, San Francisco, CA (US); **Jisi Guo**, San Francisco, CA (US); **Jesse Jones McMillin**, San Francisco, CA (US); **Rasmus Breitholtz**, San Francisco, CA (US); **Sang Ik Lee**, San Francisco, CA (US)

(73) Assignee: **Lyft, Inc.**, San Francisco, CA (US)

(\*\*) Term: **15 Years**

(21) Appl. No.: **29/657,421**

(22) Filed: **Jul. 22, 2018**

(51) **LOC (12) Cl.** ..... **21-01**

(52) **U.S. Cl.**  
USPC ..... **D21/423**; D14/358; D14/155

(58) **Field of Classification Search**  
USPC ..... D21/419, 421, 423, 426-428, 435, 760, D21/765, 771; D12/1, 8, 108, 112, 113; D14/155, 218, 358  
CPC . B62K 3/002; B62K 9/00; B62K 9/02; B62K 13/00; B62K 2202/00; B62K 11/00; B62K 11/02; B62K 11/06; B62K 11/10; B62K 15/00; B62K 17/00; H04W 4/40  
See application file for complete search history.

(56) **References Cited**

U.S. PATENT DOCUMENTS

D435,580 S	*	12/2000	Grinkus	.....	D14/218
D600,732 S	*	9/2009	Kim	.....	D16/218
D667,382 S	*	9/2012	Cosentino	.....	D13/168
D743,381 S	*	11/2015	Pi	.....	D14/218
D744,109 S	*	11/2015	Yoneta	.....	D24/186

D754,081 S	*	4/2016	Woodman	.....	D13/168
D764,461 S	*	8/2016	Romanoff	.....	D14/358
D764,463 S	*	8/2016	Dwivedula	.....	D14/358
D767,568 S	*	9/2016	McWilliam	.....	D14/358
D768,606 S	*	10/2016	Shimonishi	.....	D14/218
D776,640 S	*	1/2017	Simonian	.....	D14/218
D777,331 S	*	1/2017	Jayalath	.....	D14/344
D789,366 S	*	6/2017	Jentz	.....	D14/218
D789,367 S	*	6/2017	Jentz	.....	D14/218
D795,109 S	*	8/2017	Olodort	.....	D10/104.1
D800,313 S	*	10/2017	Chang	.....	D24/167
D806,176 S	*	12/2017	Peng	.....	D21/423
D824,411 S	*	7/2018	Dadoosh	.....	D14/486
D830,872 S	*	10/2018	Jacob	.....	D10/118.2
2015/0166141 A1	*	6/2015	Lovley, II	.....	B62K 3/002 280/87.041
2016/0009332 A1	*	1/2016	Sirbu	.....	B62L 3/04 180/220
2018/0251183 A1	*	9/2018	Meermann	.....	B62M 6/80
2019/0058982 A1	*	2/2019	Lee	.....	H04W 4/40
2019/0176923 A1	*	6/2019	Aguilar Ruelas	.....	B62M 6/60

\* cited by examiner

Primary Examiner — Cynthia M. Chin

(74) Attorney, Agent, or Firm — FisherBroyles LLP

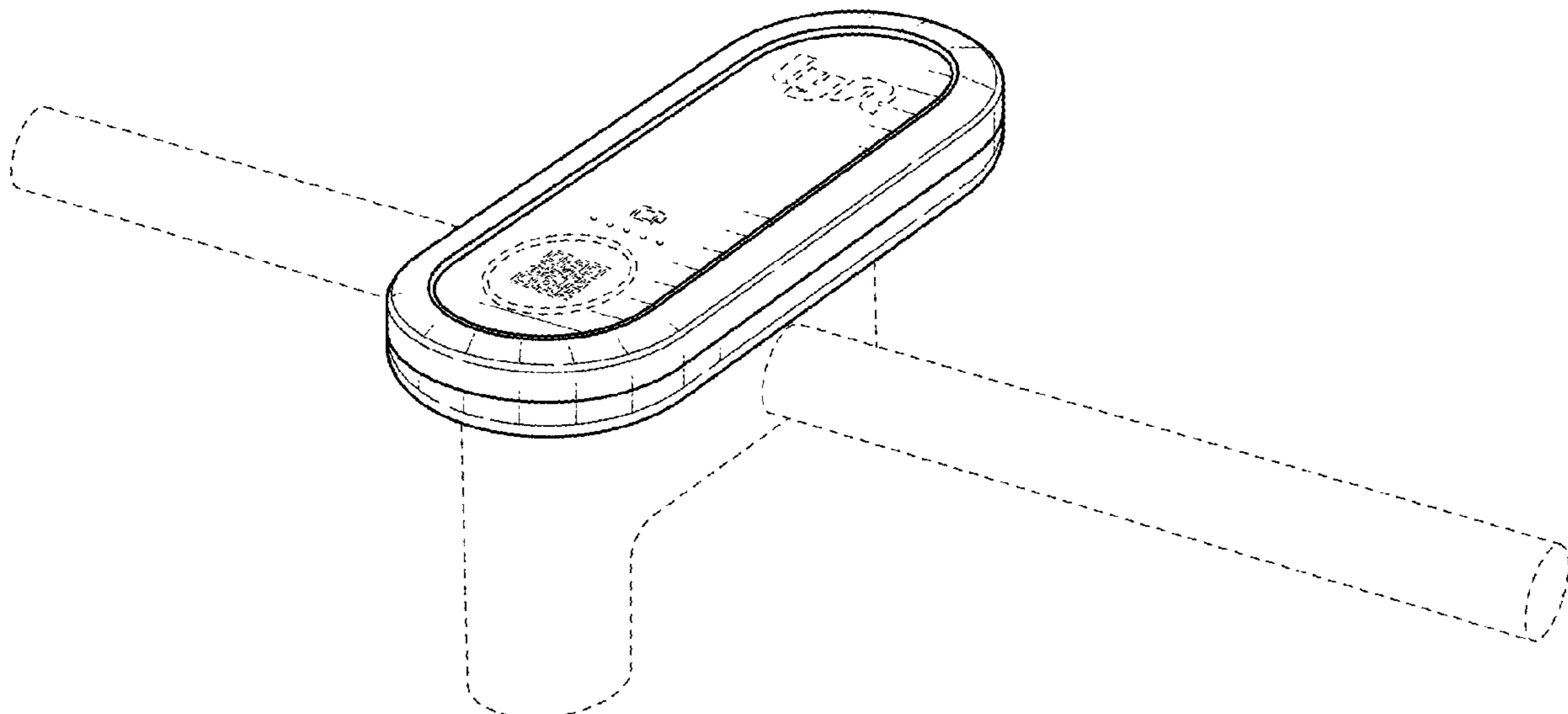
(57) **CLAIM**

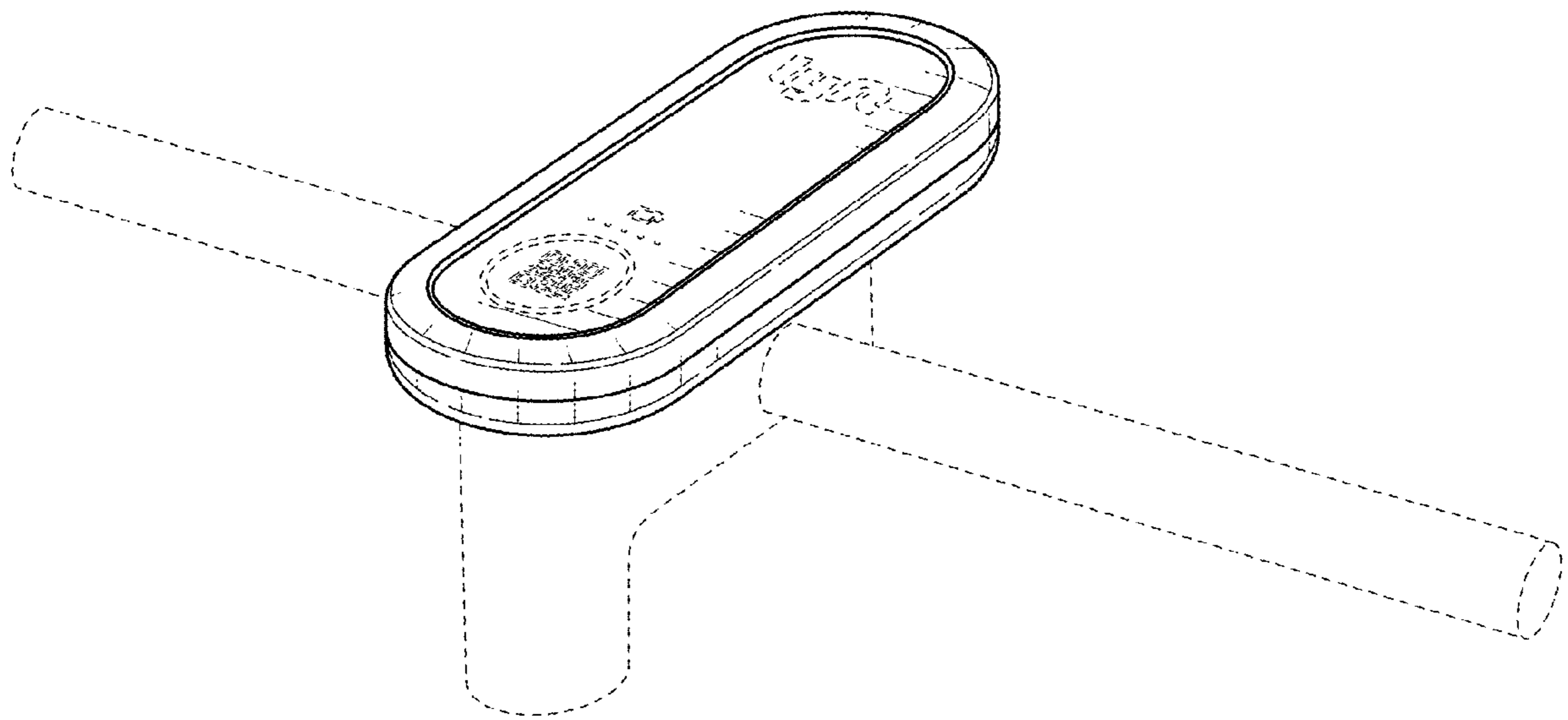
The ornamental design for a scooter interface device, as shown and described.

**DESCRIPTION**

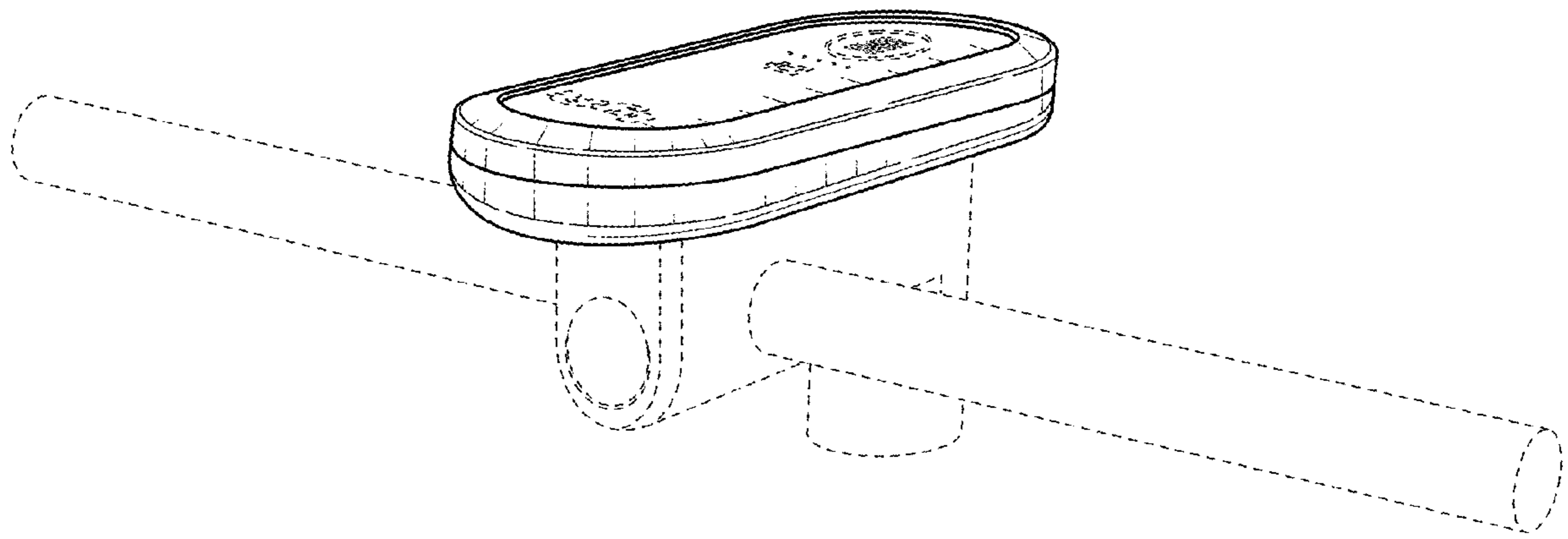
FIG. 1 is a front perspective view of the hardware module of the scooter interface device showing our design; FIG. 2 is a rear perspective view thereof; FIG. 3 is a front-facing view thereof; FIG. 4 is a back-facing view thereof; FIG. 5 is a left-facing view thereof; and, FIG. 6 is a right-facing view thereof. The broken lines represent the environment in which the scooter interface device resides and forms no part of the claimed design.

**1 Claim, 6 Drawing Sheets**

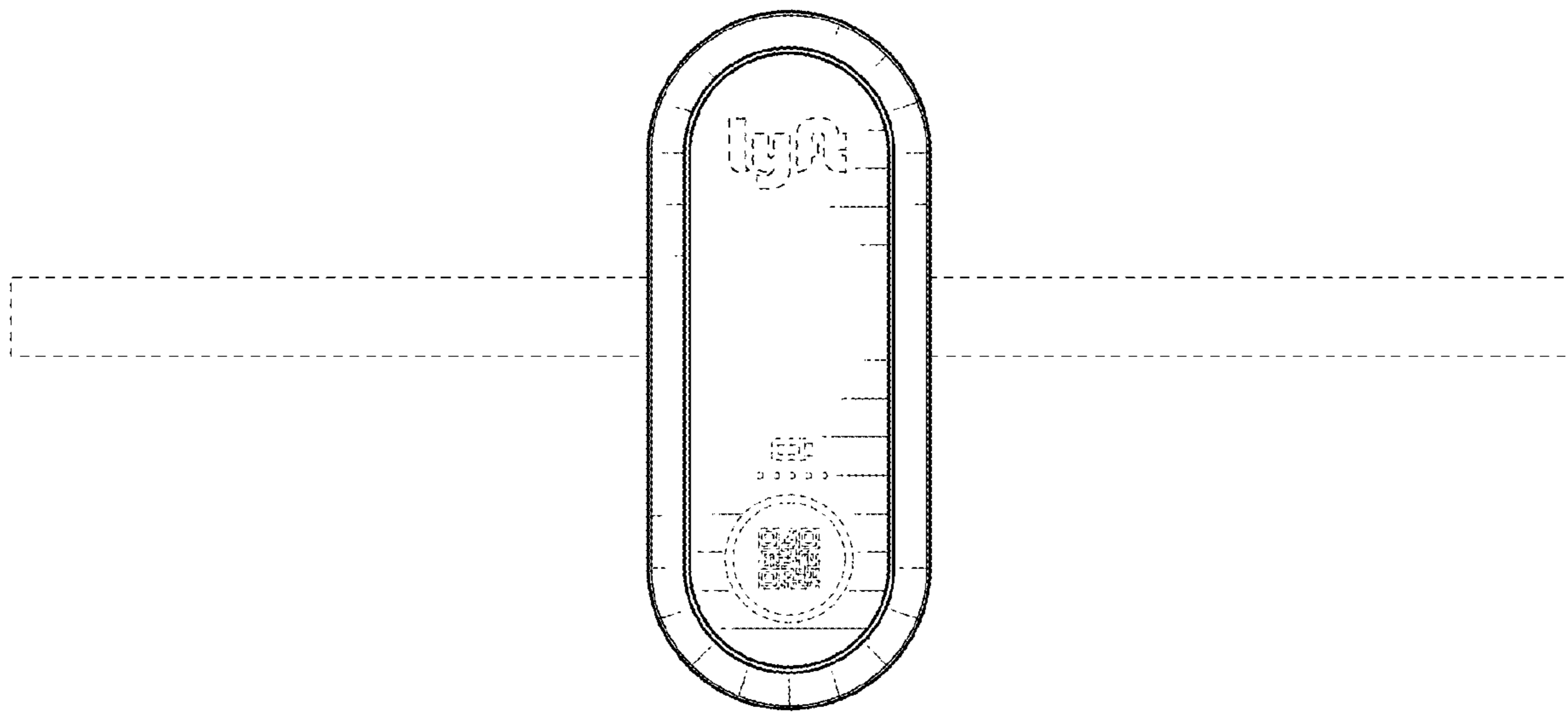




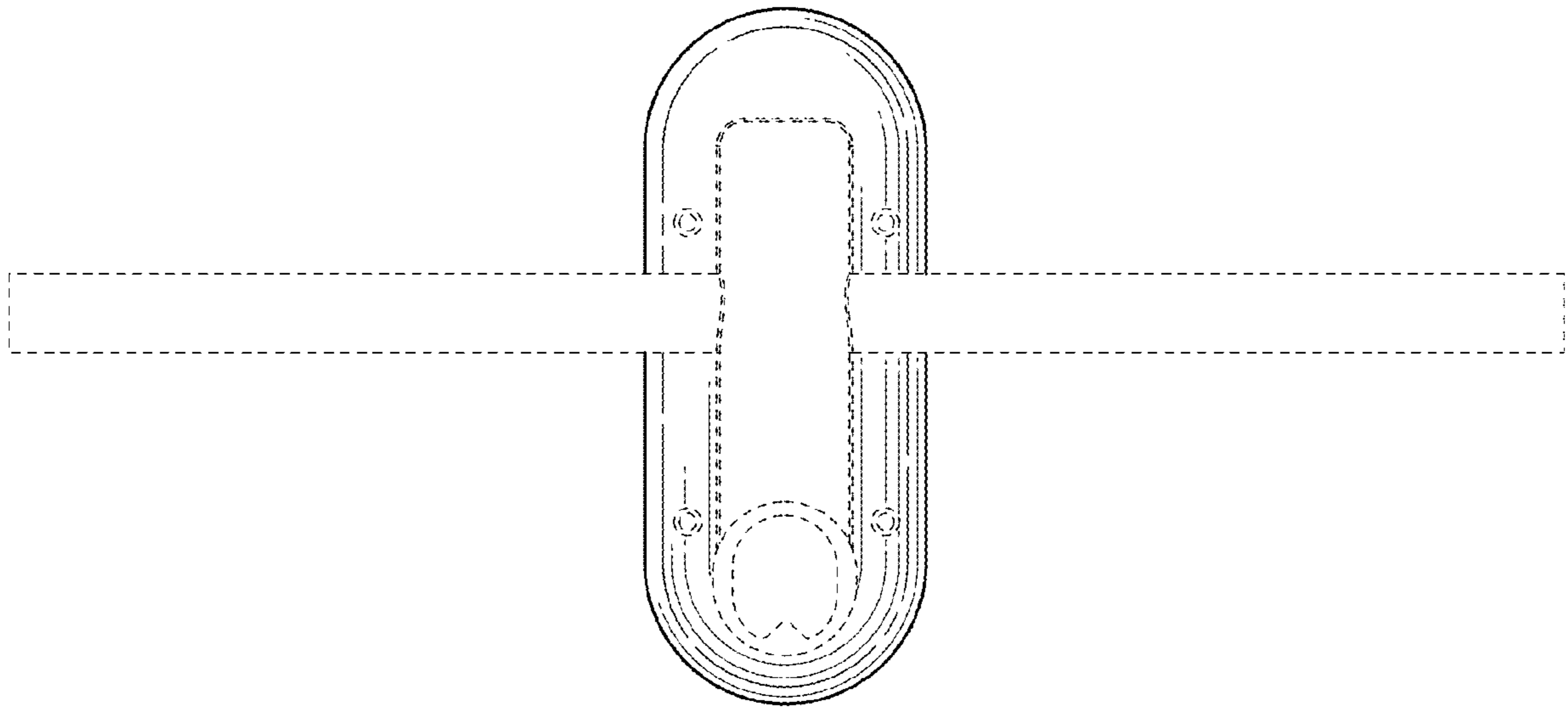
**FIG. 1**



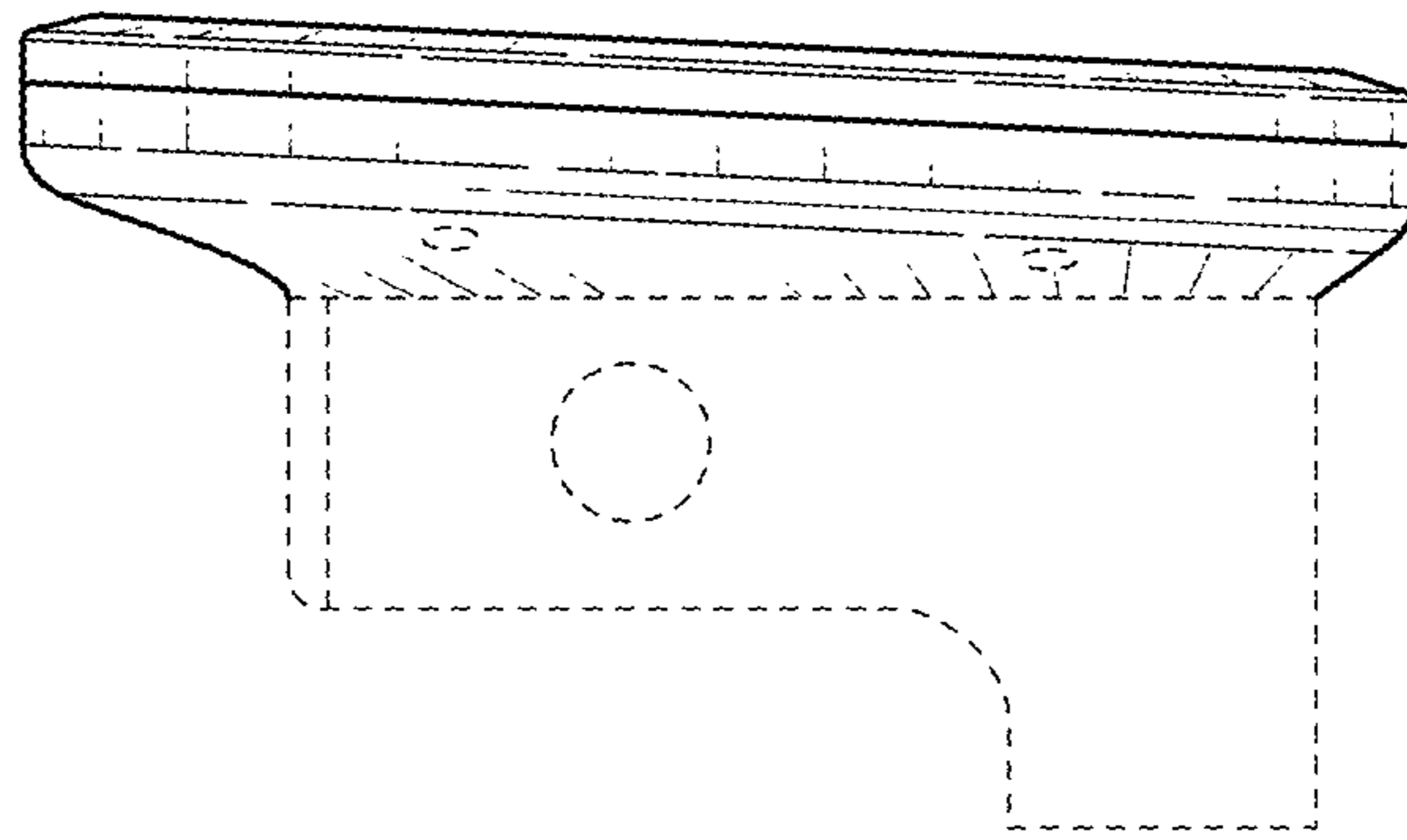
**FIG. 2**



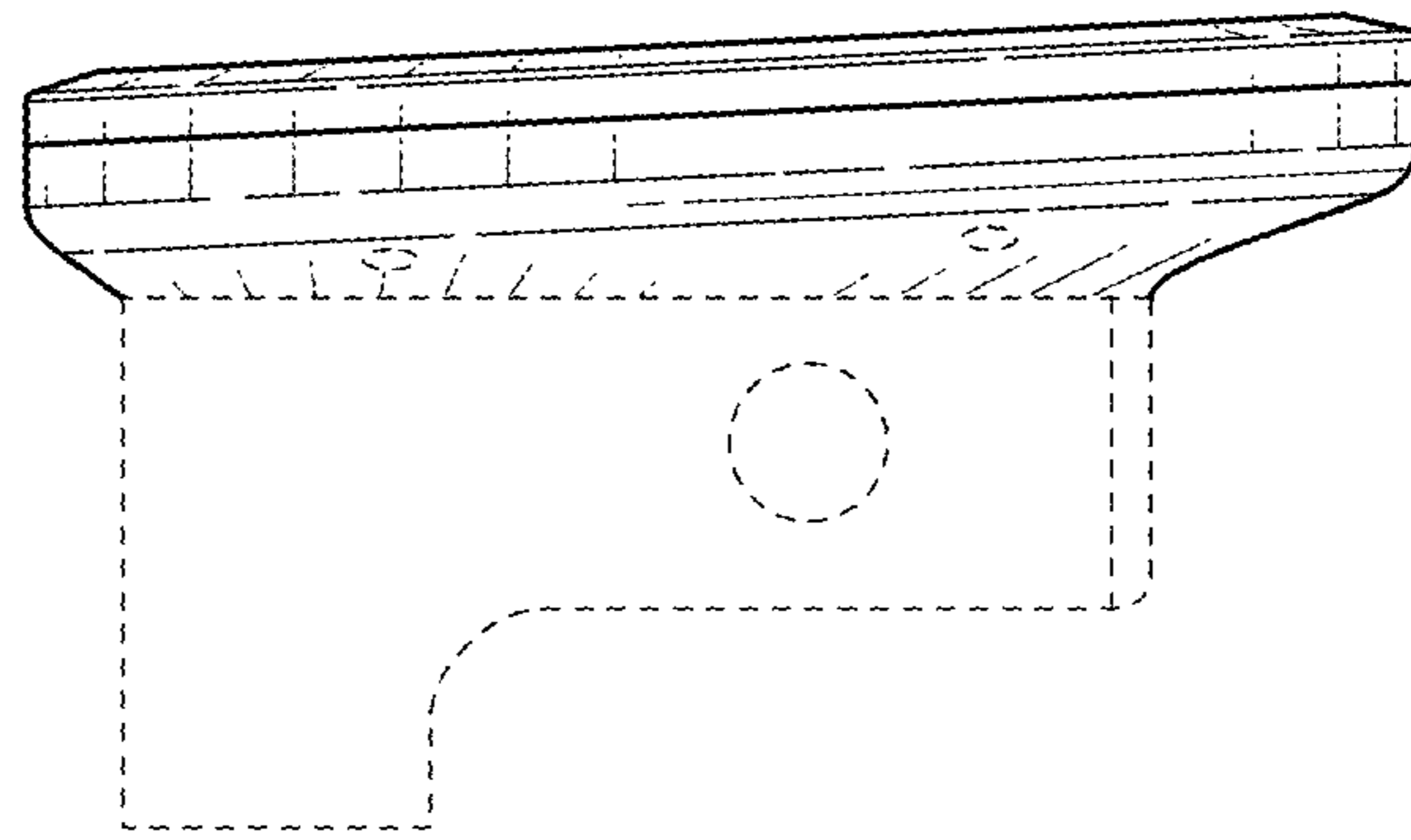
**FIG. 3**



**FIG. 4**



**FIG. 5**



**FIG. 6**