



US00D871509S

(12) **United States Design Patent**
Lo et al.

(10) **Patent No.:** **US D871,509 S**

(45) **Date of Patent:** **** Dec. 31, 2019**

(54) **MUSHROOM BUBBLE MACHINE**

(71) Applicant: **Wing Hing Manufacturing Co. Ltd.**,
Tsuen Wan (HK)

(72) Inventors: **Lap Shun Lo**, Tsuen Wan (HK); **Wai Chung Lo**, Tsuen Wan (HK)

(73) Assignee: **Wing Hing Manufacturing Co. Ltd.**,
Hong Kong (HK)

(**) Term: **15 Years**

(21) Appl. No.: **29/661,183**

(22) Filed: **Aug. 24, 2018**

(51) **LOC (12) Cl.** **21-01**

(52) **U.S. Cl.**
USPC **D21/401**

(58) **Field of Classification Search**
USPC D21/398, 401, 405, 406, 407, 455,
D21/460-463, 468, 473, 472, 475, 483,
D21/496, 507, 521, 628, 827; D9/643,
D9/655; D11/117, 125, 131, 151, 157;
D26/4, 7, 19, 32, 47, 57, 101, 127;
D3/271.8; 446/15-21

CPC A63H 33/28

See application file for complete search history.

(56) **References Cited**

U.S. PATENT DOCUMENTS

D46,928 S *	2/1915	Giese	D26/105
D238,960 S *	2/1976	Leung	D26/112
D275,121 S *	8/1984	Osborne	D21/507
D419,612 S *	1/2000	Bao	D21/401
D425,650 S *	5/2000	Salcedo Ramos	D26/101
6,283,819 B1 *	9/2001	Polinger	A63H 3/52
				446/478
7,146,934 B1 *	12/2006	Staley	A01K 15/026
				119/709
D590,451 S *	4/2009	Gold	D21/473

D600,289 S *	9/2009	Lo	D21/401
D700,019 S *	2/2014	Kolano	D7/628
D724,254 S *	3/2015	Sun	D26/101
D777,969 S *	1/2017	Fair	D26/101
D790,355 S *	6/2017	Bae	D28/79
D807,965 S *	1/2018	Lo	D21/401
D820,587 S *	6/2018	Wampold	D3/234

(Continued)

FOREIGN PATENT DOCUMENTS

CN	301218996	*	5/2010
CN	301380901	*	11/2010

(Continued)

Primary Examiner — Catherine A Tuttle

(74) *Attorney, Agent, or Firm* — Burke, Williams & Sorensen, LLP

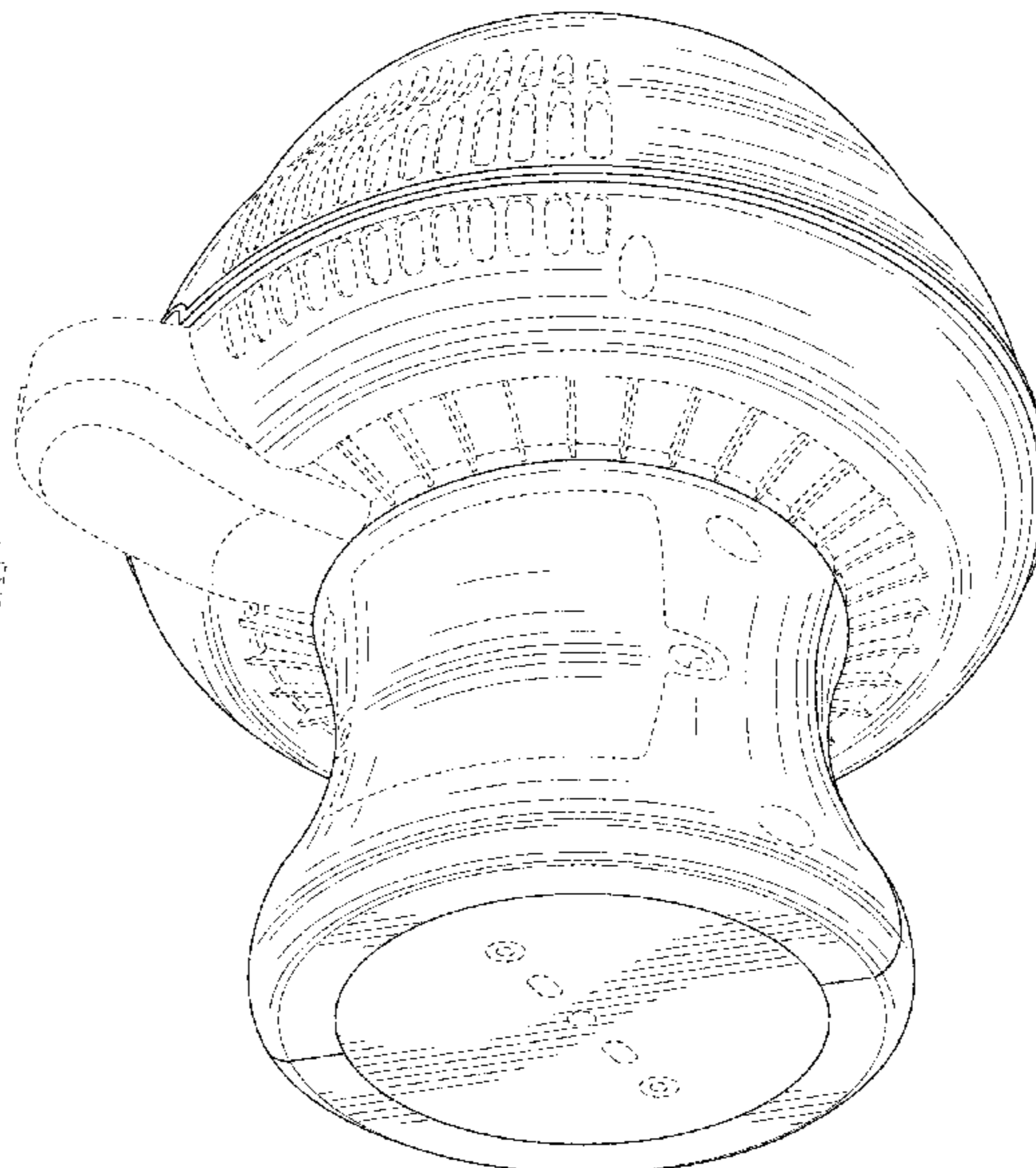
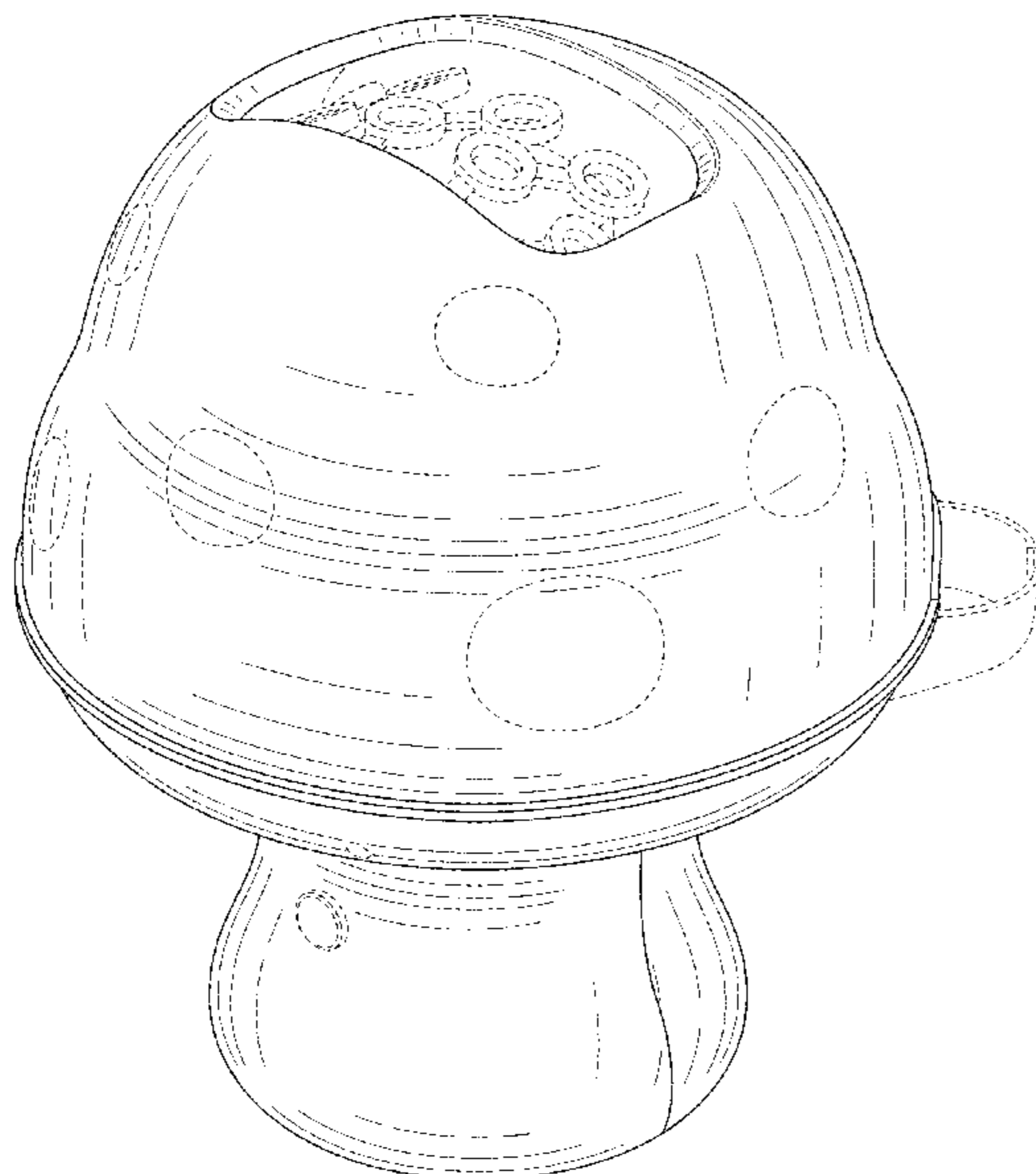
(57) **CLAIM**

The ornamental design for a mushroom bubble machine, as shown and described.

DESCRIPTION

FIG. 1 is a first top perspective view of the mushroom bubble machine embodying our new design;
 FIG. 2 is a second top perspective view thereof;
 FIG. 3 is a bottom perspective view thereof;
 FIG. 4 is an elevation view thereof;
 FIG. 5 is an elevation view of the opposing side of FIG. 4;
 FIG. 6 is an elevation view at 135° clockwise rotation from FIG. 4;
 FIG. 7 is an elevation view at 270° clockwise rotation from FIG. 4;
 FIG. 8 is an elevation view of the opposing side of FIG. 7;
 FIG. 9 is a top plan view thereof; and,
 FIG. 10 is a bottom plan view thereof.
 The broken lines represent portions of the mushroom bubble machine that form no part of the claimed design.

1 Claim, 10 Drawing Sheets



(56)

References Cited

U.S. PATENT DOCUMENTS

2002/0090878 A1* 7/2002 Holmes A63H 33/28
446/15
2009/0061726 A1* 3/2009 Levinson G09F 19/00
446/15
2015/0265940 A1* 9/2015 Chan A63H 33/28
446/16

FOREIGN PATENT DOCUMENTS

CN 301824841 * 2/2012
CN 302579392 * 9/2013
CN 302857836 * 6/2014
CN 302994517 * 11/2014
CN 303218363 * 5/2015
CN 303416395 * 10/2015
CN 303565812 * 1/2016
CN 304266083 * 9/2017
CN 304387400 * 12/2017
WO WO-2004012831 A2 * 2/2004 A63H 33/28

* cited by examiner

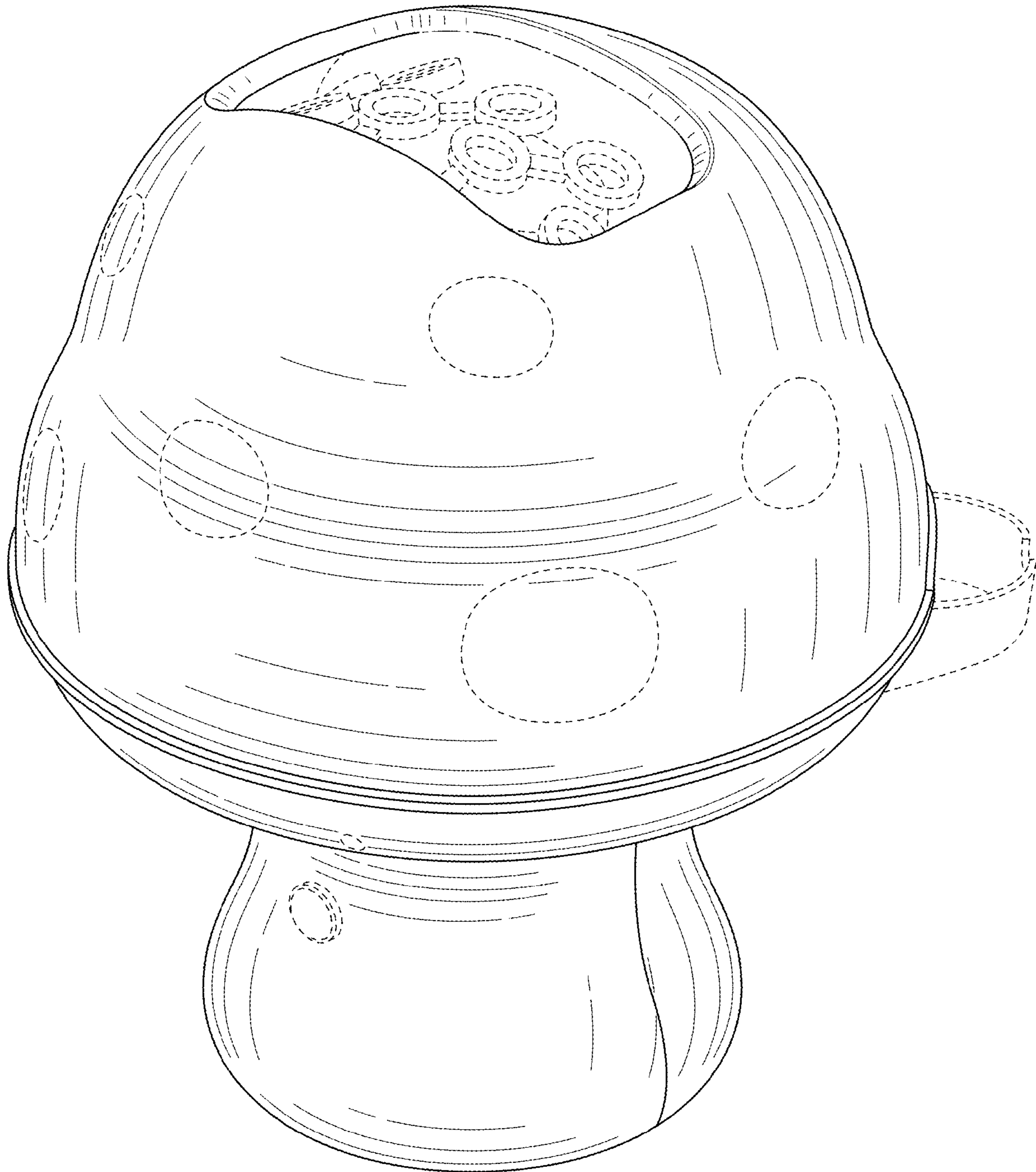


FIG. 1

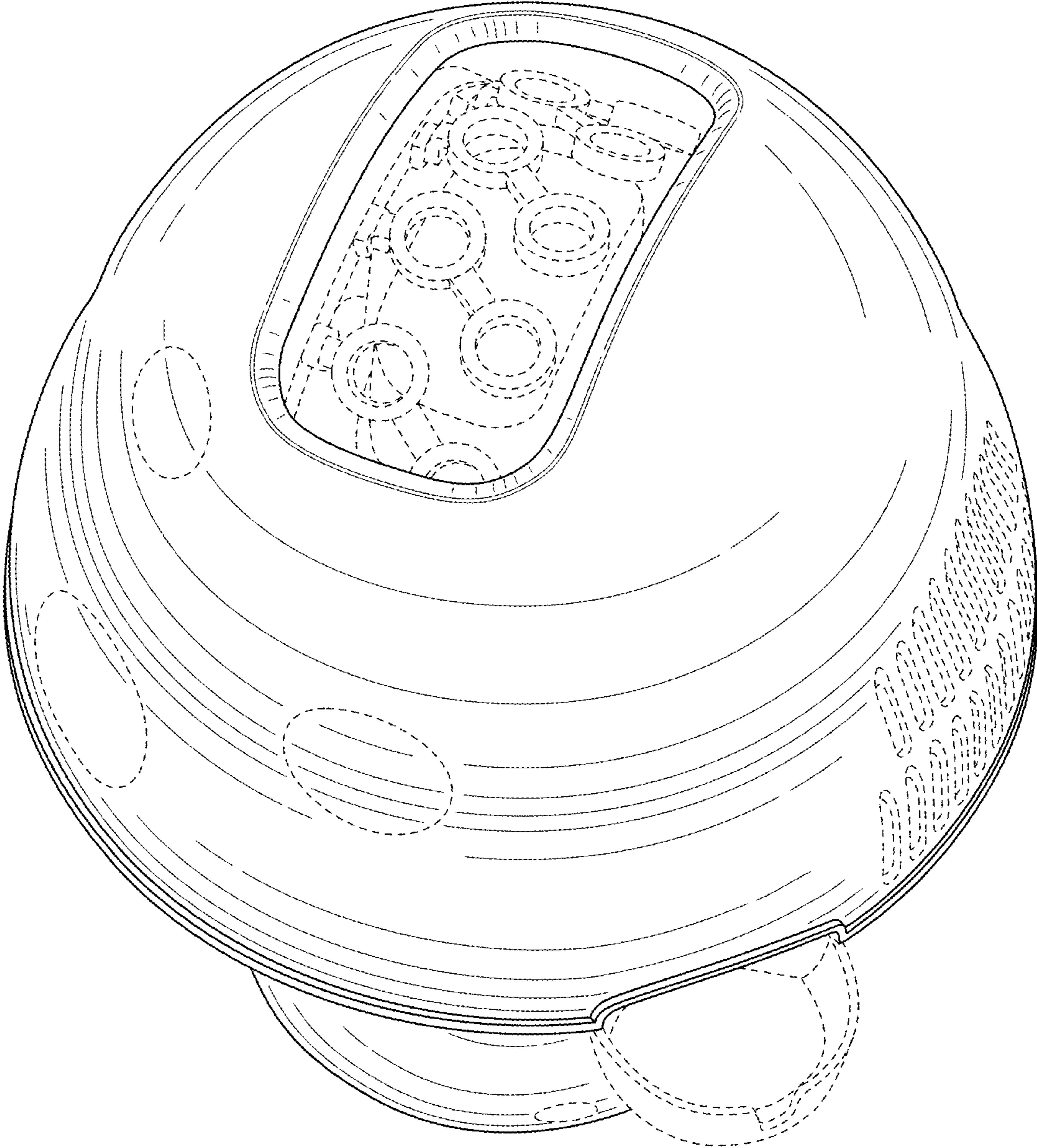


FIG. 2

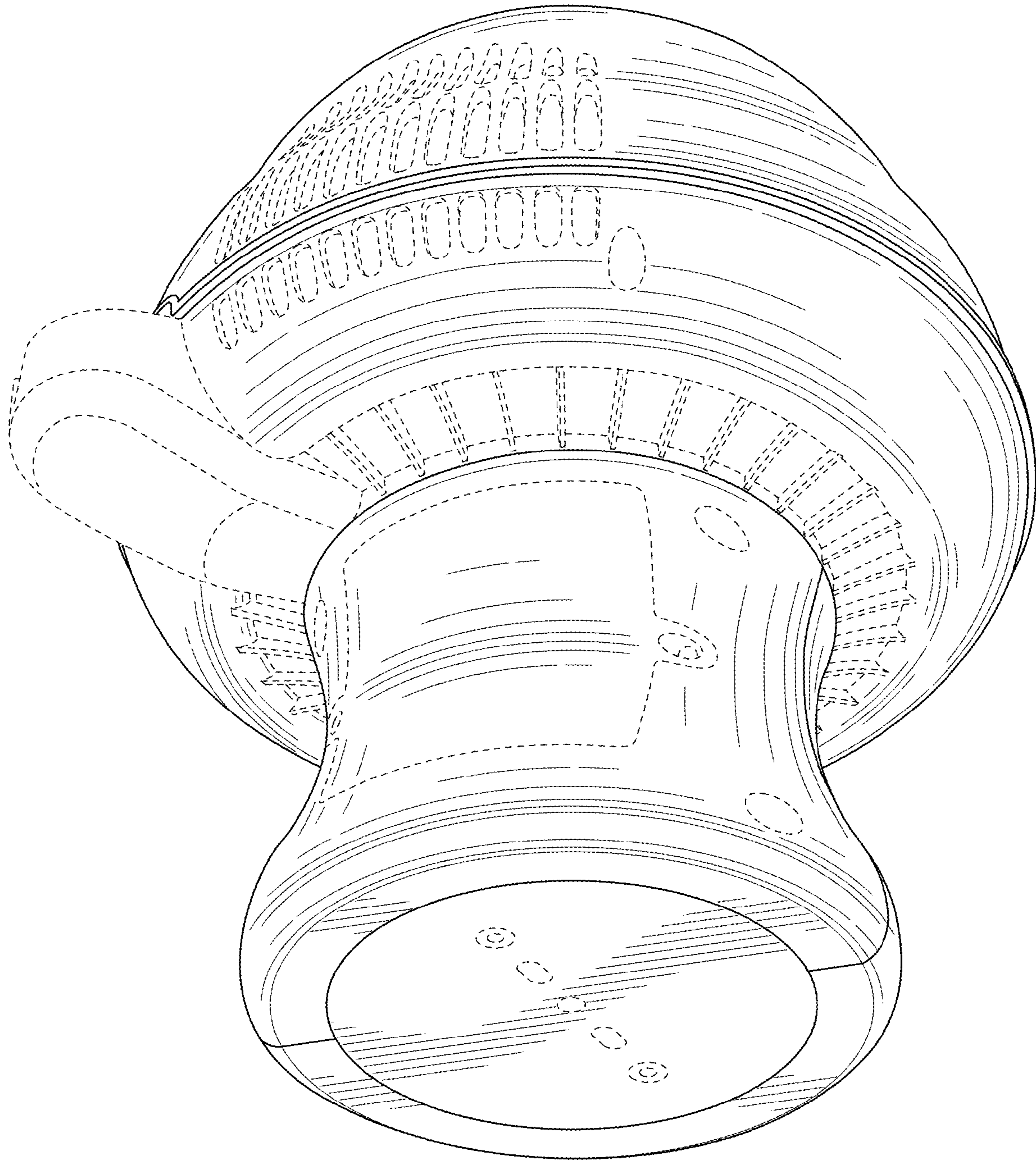


FIG. 3

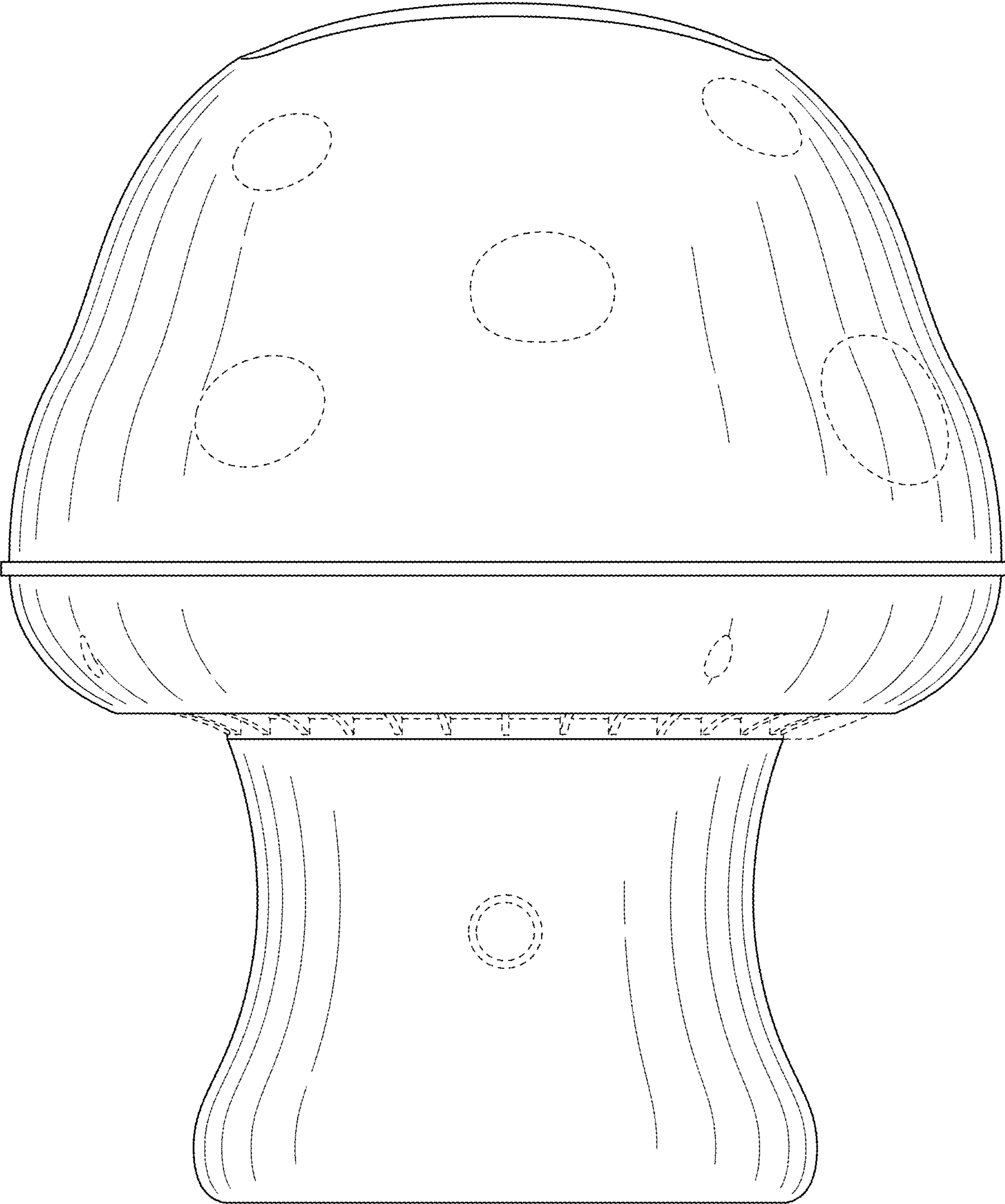


FIG. 4

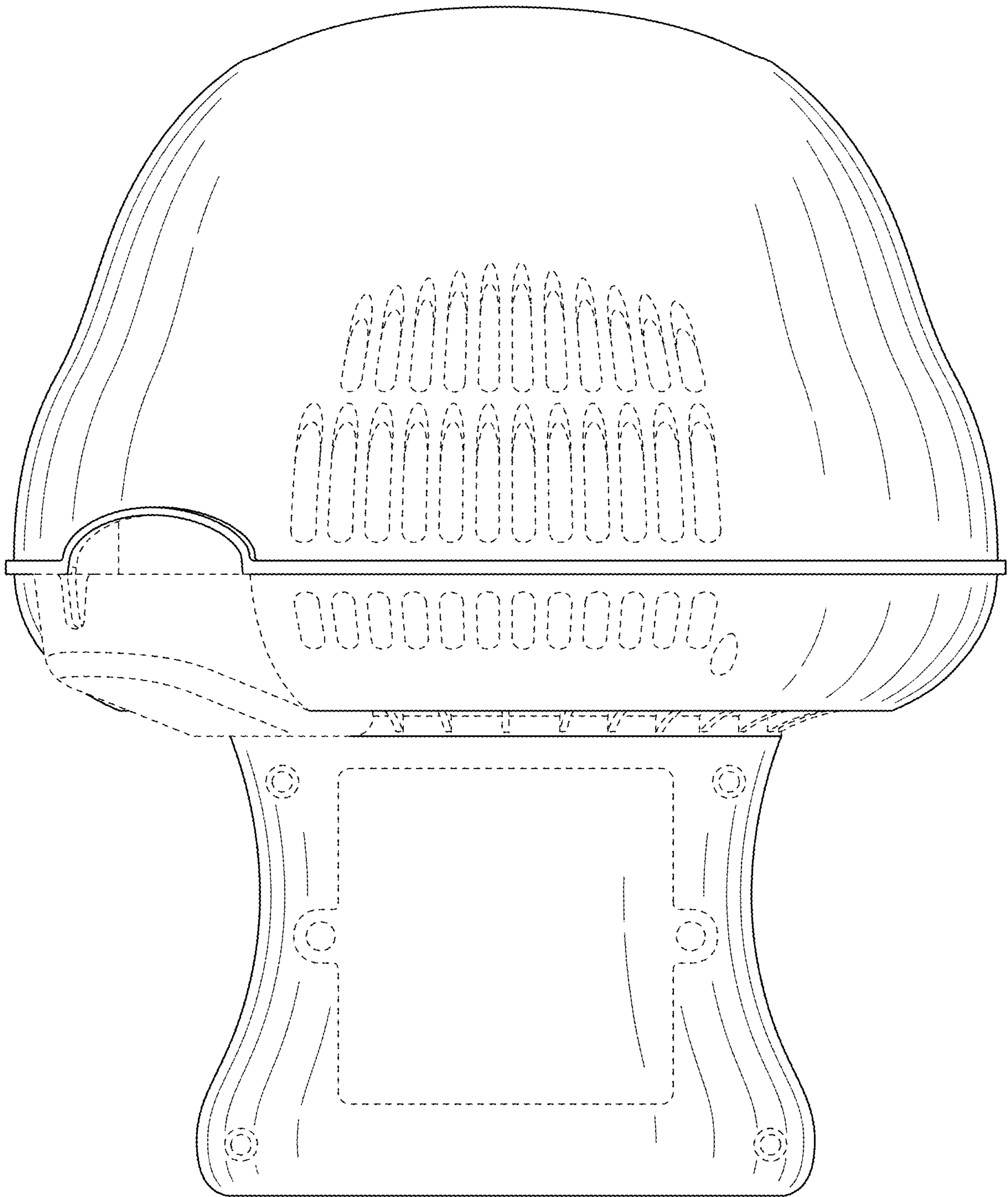


FIG. 5

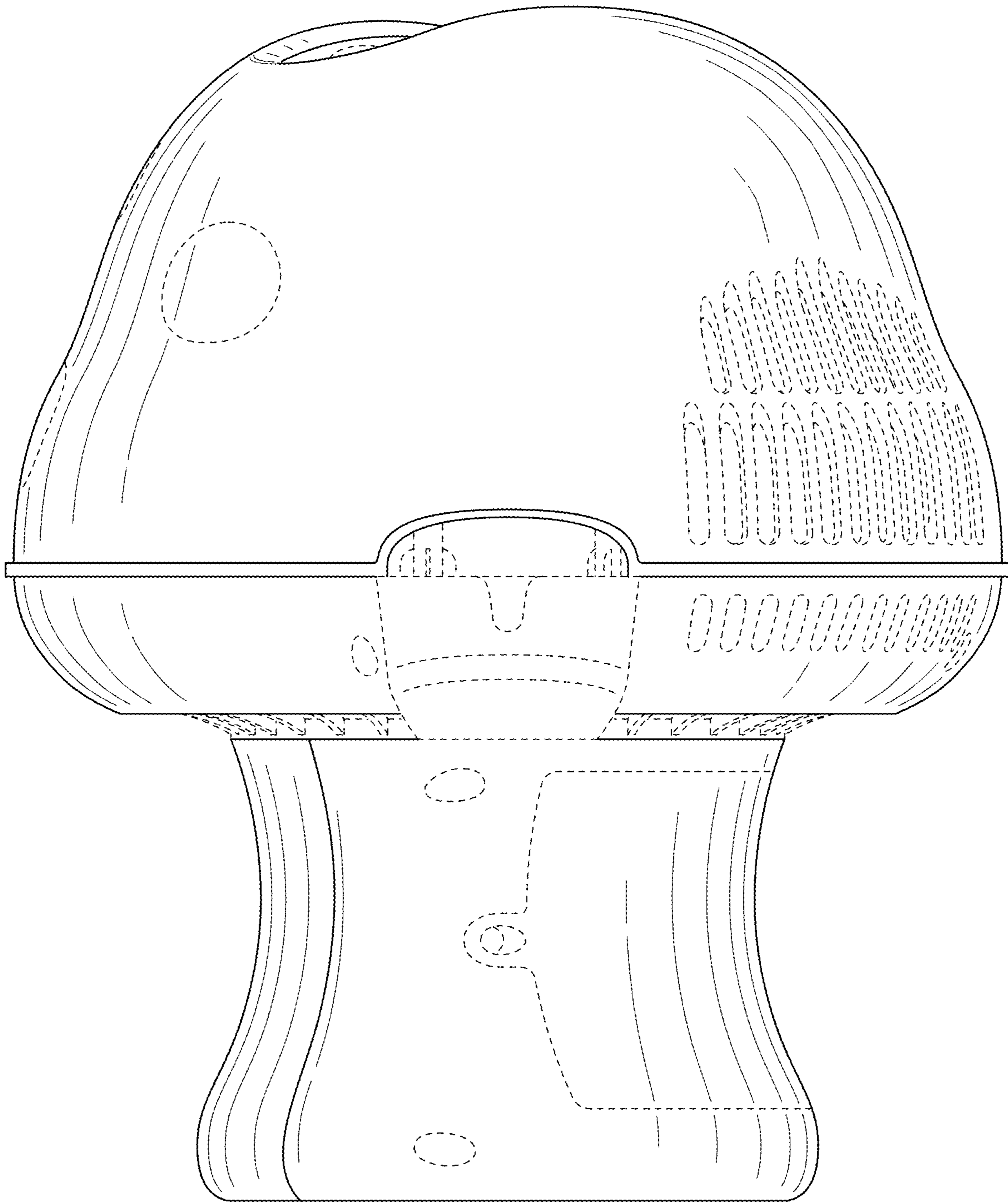


FIG. 6

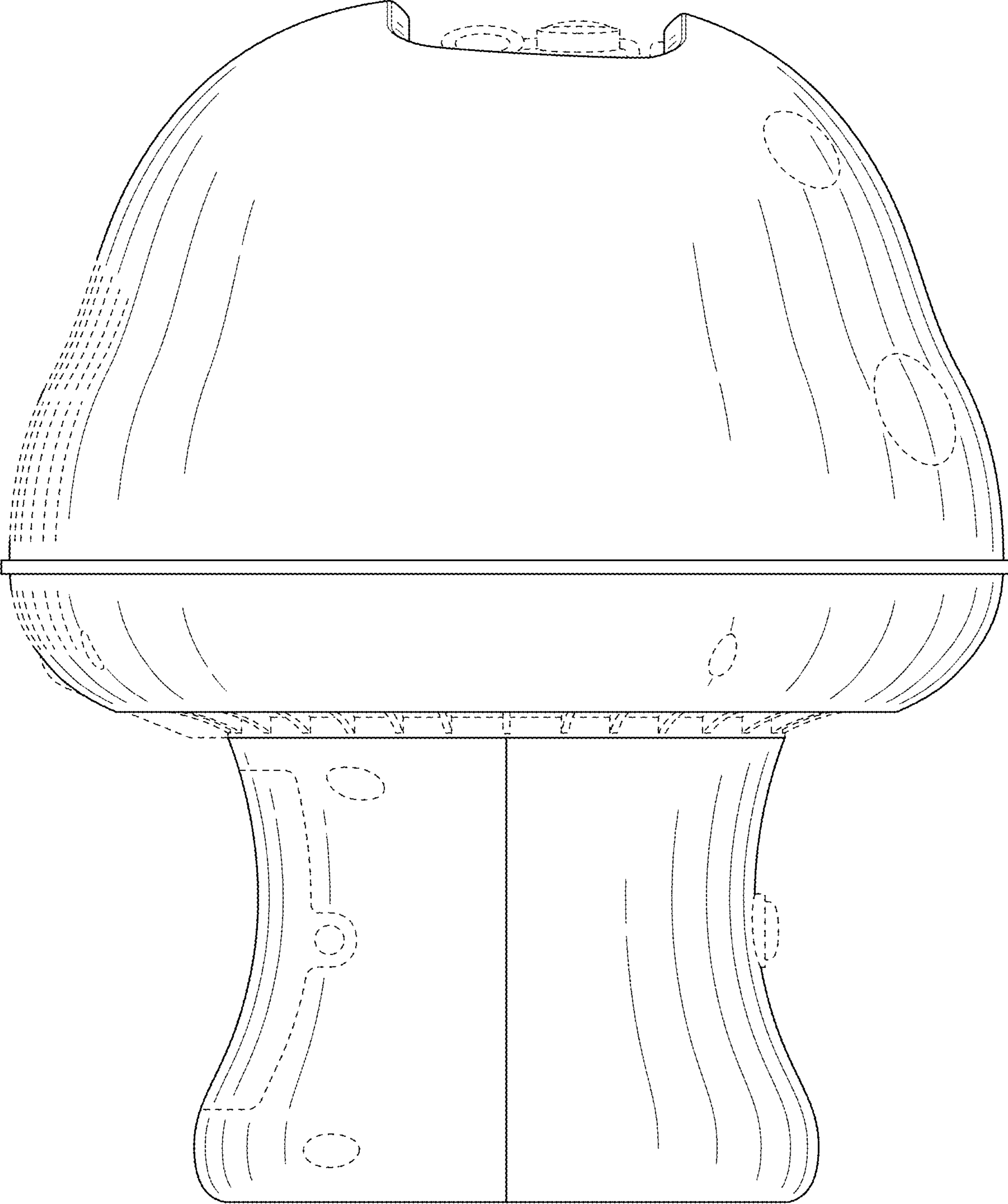


FIG. 7

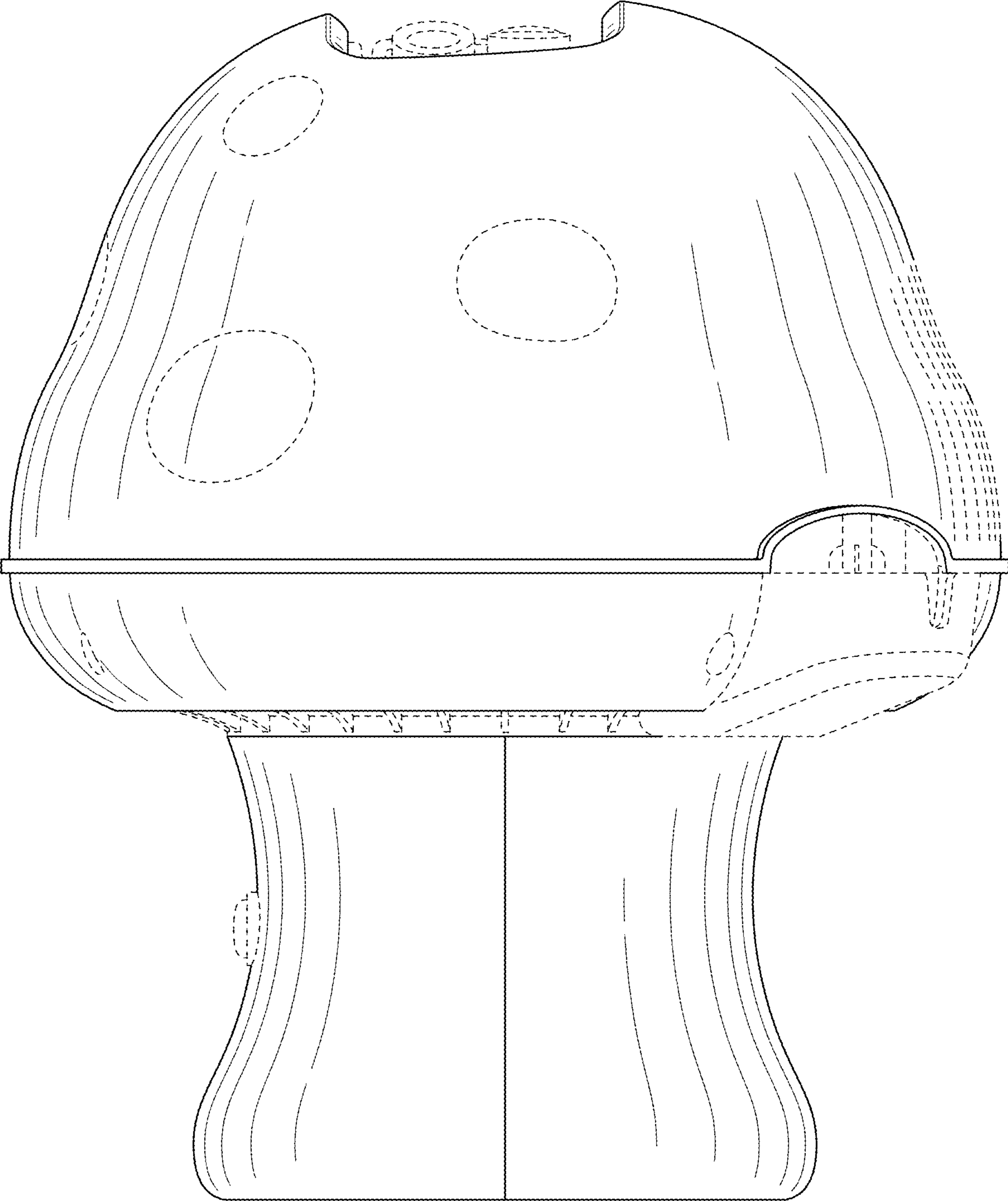


FIG. 8

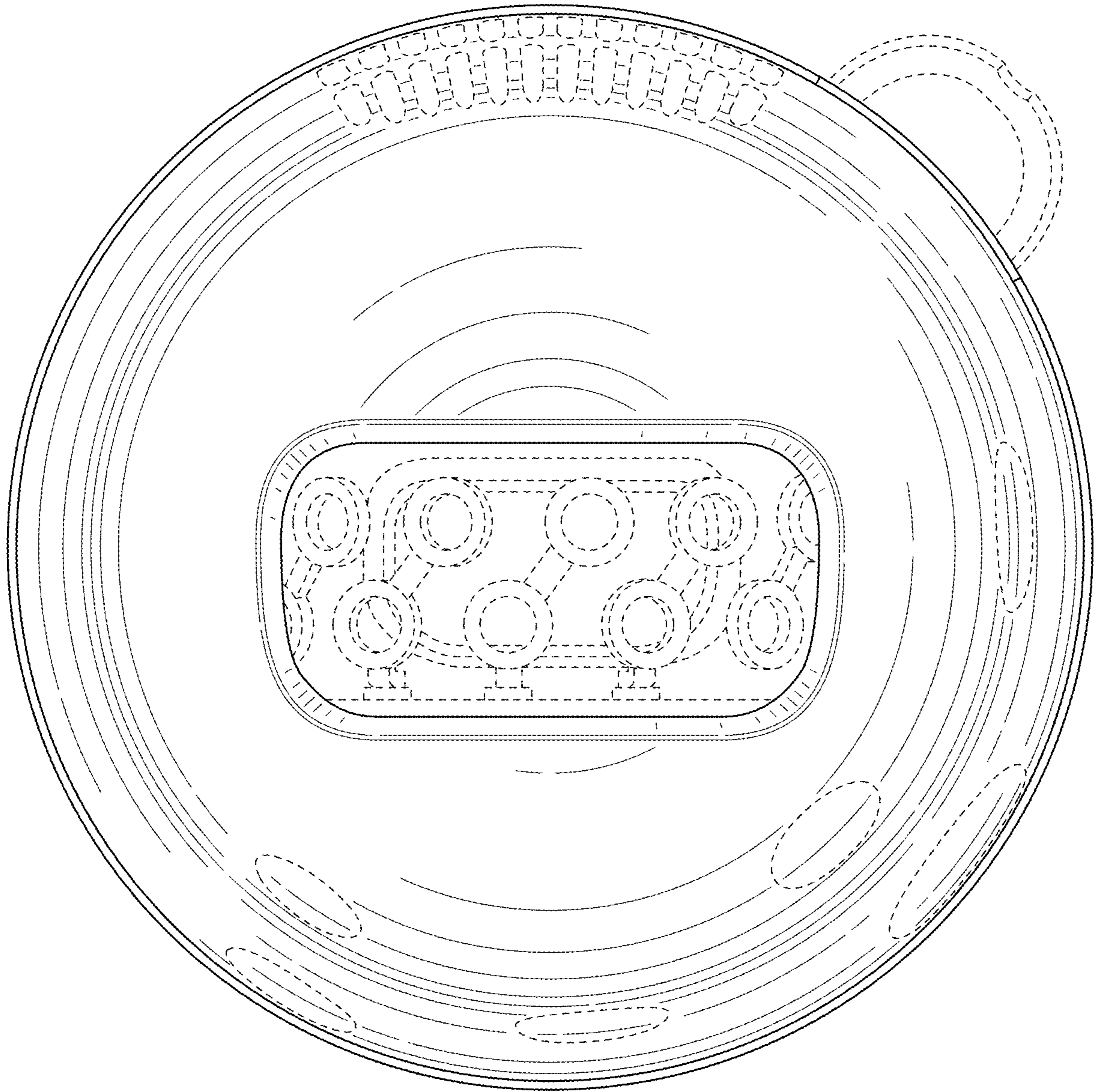


FIG. 9

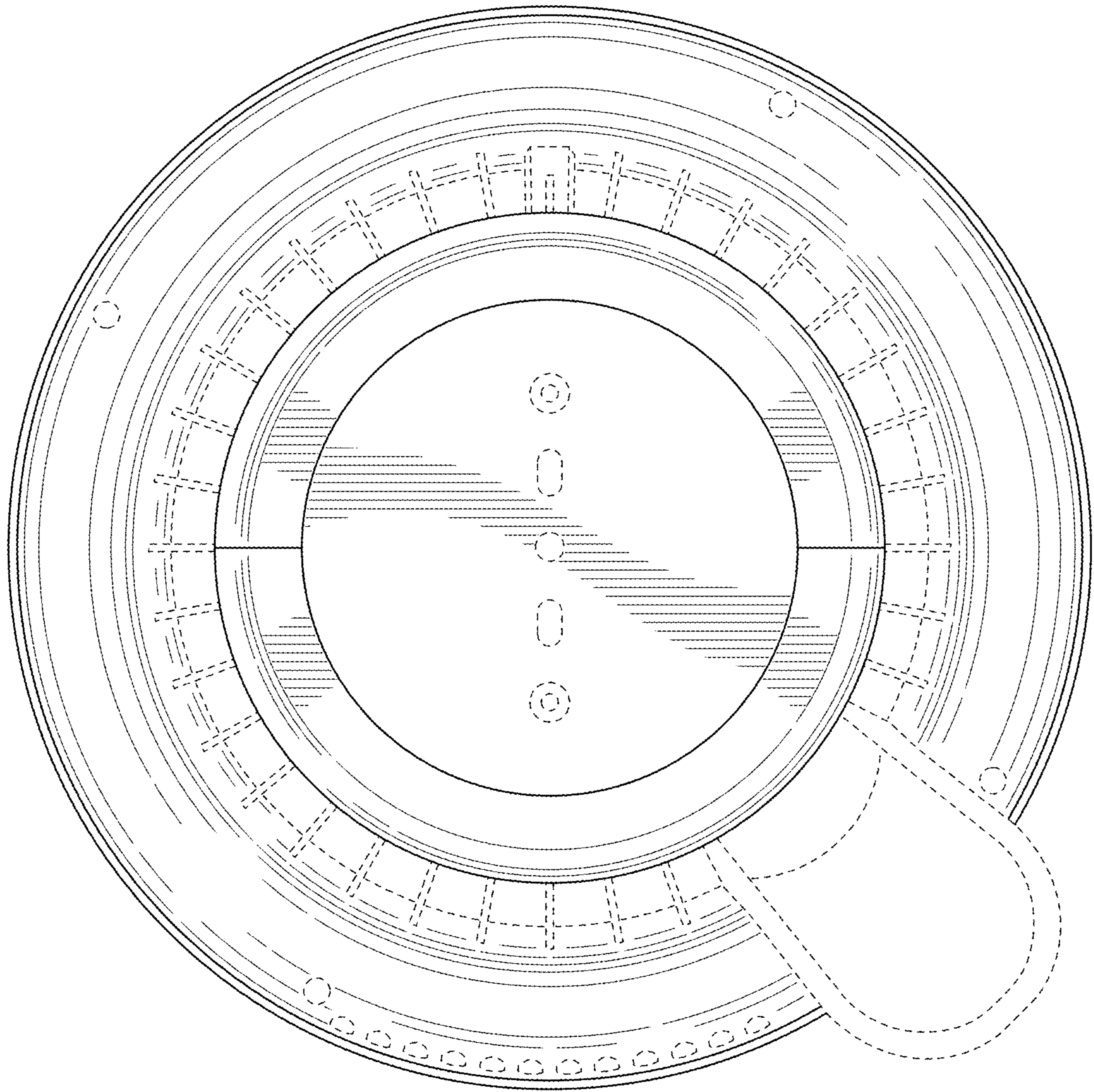


FIG. 10