



US00D871507S

(12) **United States Design Patent** (10) **Patent No.:** **US D871,507 S**
Urban et al. (45) **Date of Patent:** **** *Dec. 31, 2019**

(54) **GAMING MACHINE DISPLAY**

FOREIGN PATENT DOCUMENTS

(71) Applicant: **Aristocrat Technologies Australia Pty Limited**, North Ryde, NSW (AU)

EP 649671 A1 4/1995
JP 3210172 A 9/1991

(Continued)

(72) Inventors: **Bruce Edward Urban**, Las Vegas, NV (US); **James Franklin Stair**, Las Vegas, NV (US); **William Douglas Lamb**, Eagleville, TN (US); **Dominic J. DeMarco**, Round Rock, TX (US); **Ariel David Turgel**, San Francisco, CA (US); **Dan Harden**, Palo Alto, CA (US)

OTHER PUBLICATIONS

AU Optronics Corp.; News Center: "AUO Announces Multiple Upcoming Innovations"; Oct. 27, 2008; retrieved from <[http://www/auo.com/?sn=107&lang=en-US&c=10&n=363](http://www.auo.com/?sn=107&lang=en-US&c=10&n=363)> (2 pages).

(Continued)

(73) Assignee: **ARISTOCRAT TECHNOLOGIES AUSTRALIA PTY LIMITED**, North Ryde, NSW (AU)

Primary Examiner — Ryan Harvey

(74) *Attorney, Agent, or Firm* — Armstrong Teasdale LLP

(*) Notice: This patent is subject to a terminal disclaimer.

(57) **CLAIM**

(**) Term: **15 Years**

We claim the ornamental design for a gaming machine display, as shown and described.

(21) Appl. No.: **29/680,427**

(22) Filed: **Feb. 15, 2019**

DESCRIPTION

Related U.S. Application Data

(63) Continuation of application No. 29/616,284, filed on Sep. 5, 2017, now Pat. No. Des. 850,537.

(51) **LOC (12) Cl.** **21-03**

(52) **U.S. Cl.**
USPC **D21/369**

(58) **Field of Classification Search**
USPC D21/369, 370, 371, 385, 329, 325, 394;
D14/307, 172, 129, 325, 401, 371, 126,
(Continued)

FIG. 1 is a front perspective view of a gaming machine showing our new design;
FIG. 2 is a front view of the gaming machine design shown in FIG. 1;
FIG. 3 is a back view of the gaming machine design shown in FIG. 1;
FIG. 4 is a right view of the gaming machine design shown in FIG. 1;
FIG. 5 is a left view of the gaming machine design shown in FIG. 1;
FIG. 6 is a top view of the gaming machine design shown in FIG. 1; and,
FIG. 7 is a bottom view of the gaming machine design shown in FIG. 1.

Broken lines illustrate unclaimed environmental features and form no part of the claimed design.

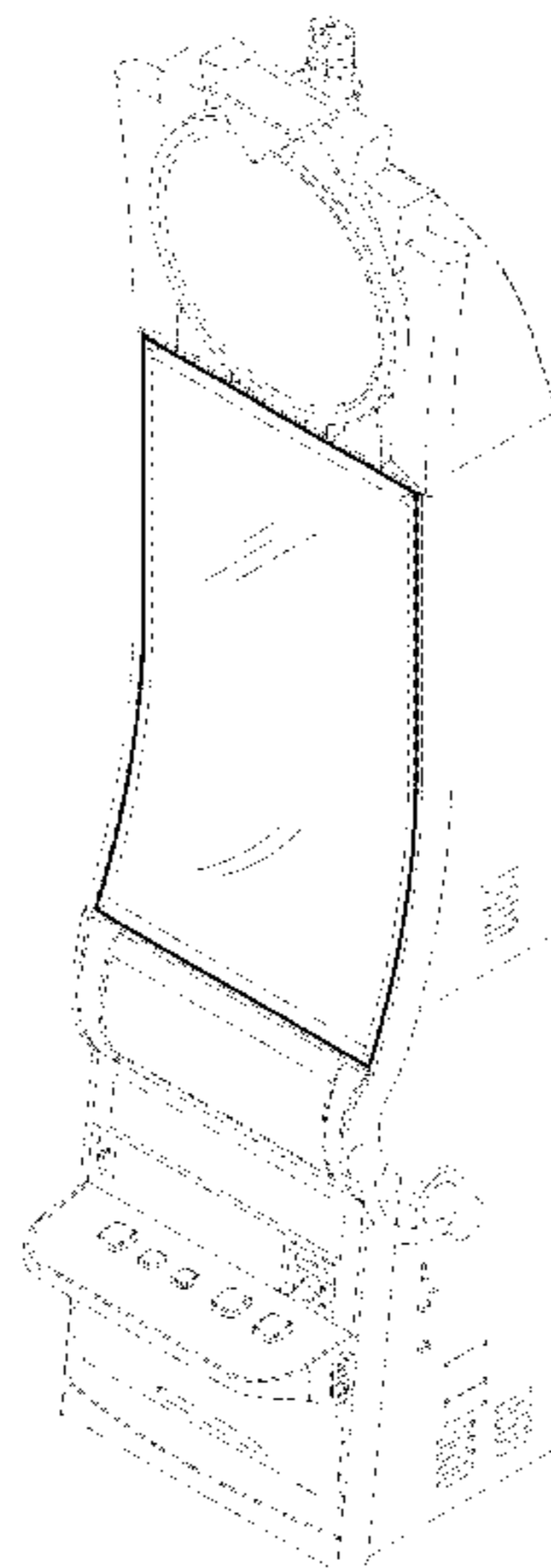
(56) **References Cited**

U.S. PATENT DOCUMENTS

2,661,954 A 12/1953 Koci
D236,720 S 9/1975 Baker

(Continued)

1 Claim, 7 Drawing Sheets



US D871,507 S

(58) **Field of Classification Search**
 USPC D14/439, 432, 450, 128, 375, 248, 374,
 D14/341, 138 G, 127; 463/28, 13, 11,
 463/16, 20, 25, 31, 46, 23, 30, 17, 36, 29,
 463/42, 34, 32, 35, 19, 21, 22; 273/292,
 273/203, 138.2, 143 R, 142 R, 138.1;
 D19/60; D16/226; D8/335, 331, 334;
 D26/141; D7/641
 CPC G07F 17/32; G07F 17/34; G07F 17/3211;
 G07F 17/3244; G07F 17/3267
 See application file for complete search history.

D405,473	S	2/1999	Tikhonski
D407,759	S	4/1999	Isetani
5,890,715	A	4/1999	Gomez
5,934,672	A	8/1999	Sines
5,938,195	A	8/1999	Anghelo
5,944,309	A	8/1999	Popadiuk
D417,145	S	11/1999	McLaughlin
5,984,782	A	11/1999	Inoue
6,000,697	A	12/1999	Popadiuk
D419,201	S	1/2000	de Haas
D419,606	S	1/2000	Toriyama
6,036,188	A	3/2000	Gomez
6,047,962	A	4/2000	Popadiuk
6,047,963	A	4/2000	Pierce
D424,122	S	5/2000	Dickenson
6,071,190	A	6/2000	Weiss
D428,062	S	7/2000	Hayashi
6,089,663	A	7/2000	Hill
6,102,394	A	8/2000	Wurz
6,113,097	A	9/2000	Krutsch
6,117,010	A	9/2000	Canterbury
6,120,021	A	9/2000	Piotrowski
6,129,353	A	10/2000	DeMar
6,129,355	A	10/2000	Hahn
6,135,449	A	10/2000	Cornell
6,149,153	A	11/2000	Sheats, Jr.
6,155,565	A	12/2000	Gomez
6,155,925	A	12/2000	Giobbi
6,158,737	A	12/2000	Cornell
6,159,098	A	12/2000	Slomiany
6,164,644	A	12/2000	Cornell
6,173,955	B1	1/2001	Perrie
6,199,861	B1	3/2001	Hume
D439,931	S	4/2001	Yamaguchi
6,210,279	B1	4/2001	Dickinson
6,224,482	B1	5/2001	Bennett
6,227,614	B1	5/2001	Rubin
6,227,970	B1	5/2001	Shimizu
D443,313	S	6/2001	Brettschneider
D446,252	S	8/2001	Yamaguchi
6,283,546	B1	9/2001	Hill
6,290,229	B1	9/2001	Perez
D450,094	S	11/2001	Hedrick
6,334,612	B1	1/2002	Wurz
6,354,660	B1	3/2002	Friedrich
D459,402	S	6/2002	Wurz
6,422,670	B1	7/2002	Hedrick
6,422,941	B1	7/2002	Thorner
6,439,993	B1	8/2002	O'Halloran
D463,504	S	9/2002	Stephan
D464,377	S	10/2002	Wurz
D465,813	S	11/2002	Randall
D466,160	S	11/2002	Hirato
D467,977	S	12/2002	Gatto
D468,364	S	1/2003	Beadell
6,530,842	B1	3/2003	Wells
6,572,187	B2	6/2003	Laufer
6,589,114	B2	7/2003	Rose
6,609,972	B2	8/2003	Seelig
6,616,142	B2	9/2003	Adams
6,620,047	B1	9/2003	Alcorn
D481,078	S	10/2003	Stephan
6,646,695	B1	11/2003	Gauselmann
6,652,378	B2	11/2003	Cannon
D483,075	S	12/2003	Kang
D484,548	S	12/2003	Franco Munoz
D485,583	S	1/2004	Porto
6,715,756	B2	4/2004	Inoue
6,729,618	B1	5/2004	Koenig
D492,363	S	6/2004	Seelig
D492,364	S	6/2004	Seelig
D492,365	S	6/2004	Munoz
D492,676	S	7/2004	Monson
D493,843	S	8/2004	Jackson, Sr.
D493,846	S	8/2004	Seelig
D495,754	S	9/2004	Wurz
D495,755	S	9/2004	Wurz
D498,267	S	11/2004	Crouch
D500,098	S	12/2004	Doi

(56) **References Cited**
 U.S. PATENT DOCUMENTS

D238,379	S	1/1976	Miller
3,943,282	A	3/1976	Muntz
D264,485	S	5/1982	Kitchen
4,372,557	A	2/1983	Del Principe
D275,772	S	10/1984	Akopian
D280,835	S	10/1985	Berge
D280,836	S	10/1985	Ludzia
4,705,274	A	11/1987	Lubeck
4,840,343	A	6/1989	Gasser
4,861,037	A	8/1989	Oursler
4,960,117	A	10/1990	Moncrief
D315,110	S	3/1991	Slater
5,015,189	A	5/1991	Wenzinger, Jr.
D318,660	S	7/1991	Weber
5,083,738	A	1/1992	Infanti
5,102,192	A	4/1992	Barile, Sr.
5,110,120	A	5/1992	Smolucha
5,114,112	A	5/1992	Infanti
5,120,058	A	6/1992	Trudeau
5,123,647	A	6/1992	Lawlor
5,143,055	A	9/1992	Eakin
5,149,094	A	9/1992	Tastad
D333,164	S	2/1993	Kraft
5,193,807	A	3/1993	Schilling
5,195,746	A	3/1993	Boyd
5,232,191	A	8/1993	Infanti
5,290,034	A	3/1994	Hineman
5,316,303	A	5/1994	Trudeau
5,326,104	A	7/1994	Pease
D351,869	S	10/1994	Rothschild
D352,738	S	11/1994	Anghelo
5,383,663	A	1/1995	Anghelo
5,409,296	A	4/1995	Barile
5,411,257	A	5/1995	Fulton
5,417,423	A	5/1995	Oursler
5,417,425	A	5/1995	Blumberg
5,437,453	A	8/1995	Hineman
5,465,963	A	11/1995	Patla, Sr.
5,507,488	A	4/1996	Eddy
5,511,783	A	4/1996	Popadiuk
5,516,103	A	5/1996	Lawlor
5,522,641	A	6/1996	Infanti
5,524,887	A	6/1996	Trudeau
5,533,726	A	7/1996	Nordman
5,542,748	A	8/1996	Barile
D376,391	S	12/1996	Okumura
5,580,052	A	12/1996	Popadiuk
5,632,482	A	5/1997	Anghelo
D380,014	S	6/1997	Yang
5,655,965	A	8/1997	Takemoto
5,664,777	A	9/1997	Nordman
5,669,818	A	9/1997	Thorner
5,678,886	A	10/1997	Infanti
5,704,835	A	1/1998	Dietz, II
5,720,480	A	2/1998	Lawlor
D395,463	S	6/1998	Scott
5,762,617	A	6/1998	Infanti
5,791,731	A	8/1998	Infanti
5,806,851	A	9/1998	Gomez
5,820,460	A	10/1998	Fulton
5,833,236	A	11/1998	Oursler

(56)

References Cited

U.S. PATENT DOCUMENTS

6,880,825 B2	4/2005	Seelig	D641,047 S	7/2011	Tahara	
D505,162 S	5/2005	Bristol	7,976,393 B2	7/2011	Haga	
D508,268 S	8/2005	Hanchar	7,985,139 B2	7/2011	Lind	
D508,269 S	8/2005	Wichinsky	8,002,424 B2	8/2011	Hwang	
D508,719 S	8/2005	de Haas	8,002,626 B2	8/2011	Englman	
D508,961 S	8/2005	Gatto	D646,336 S	10/2011	Kelly	
D509,254 S	9/2005	Rasmussen	D646,337 S	10/2011	Kelly	
D509,255 S	9/2005	Bristol	D646,691 S	10/2011	Thai	
D512,105 S	11/2005	Chitrapongse	D649,605 S	11/2011	Terpstra	
D513,511 S	1/2006	Decombe	D651,608 S	1/2012	Allen	
D515,144 S	2/2006	Boyd	8,152,623 B2	4/2012	Fiden	
6,997,810 B2	2/2006	Cole	8,162,740 B2	4/2012	Aoki	
D520,504 S	5/2006	Martin	8,216,061 B2	7/2012	Pacey	
7,063,615 B2	6/2006	Alcorn	8,267,764 B1	9/2012	Aoki	
7,108,237 B2	9/2006	Gauselmann	D669,076 S	10/2012	Haller	
D531,677 S	11/2006	Mallory	8,292,451 B2	10/2012	Hwang	
7,184,277 B2	2/2007	Beirne	8,303,420 B2	11/2012	Chudek	
D537,885 S	3/2007	Gadda	8,305,743 B2	11/2012	Wu	
D539,854 S	4/2007	Luciano	8,323,114 B2	12/2012	Burak	
D540,398 S	4/2007	Gadda	D673,620 S	1/2013	Johnson	
D546,893 S	7/2007	Yamashita	8,353,755 B2	1/2013	Vann	
7,247,098 B1	7/2007	Bradford	8,371,920 B2	2/2013	Gomez	
D548,801 S	8/2007	Groswirt	8,371,927 B2	2/2013	Englman	
D549,785 S	8/2007	Luciano, Jr.	8,371,928 B2	2/2013	Englman	
7,267,612 B2	9/2007	Alcorn	8,376,832 B2	2/2013	O'Connor	
D554,710 S	11/2007	Malone	D678,955 S	3/2013	Lesley	
D556,765 S	12/2007	Evans	D678,956 S	3/2013	Lesley	
D557,748 S	12/2007	Jumper	D678,957 S	3/2013	Cesaroni	
D559,917 S	1/2008	Cole	D678,958 S	3/2013	Cesaroni	
D560,724 S	1/2008	Johnson	D681,130 S	4/2013	Lesley	
D560,725 S	1/2008	Johnson	8,430,756 B2	4/2013	McComb	
D563,421 S	3/2008	Yamashita	D682,948 S	5/2013	Cesaroni	
D563,481 S	3/2008	Looks	D685,033 S	6/2013	Wudtke	
D564,600 S	3/2008	Greenberg	8,502,788 B2	8/2013	Cho	
D564,601 S	3/2008	Strahinic	D691,665 S	10/2013	Chudek	
D566,197 S	4/2008	Greenberg	D691,666 S	10/2013	Lesley	
D569,863 S	5/2008	Feldstein	D693,343 S	11/2013	Haller	
D572,314 S	7/2008	Vallejo	D697,558 S	1/2014	Myers	
D578,168 S	10/2008	Looks	D704,273 S	5/2014	Chudek	
D581,983 S	12/2008	Bergstrom	D704,275 S	5/2014	Lesley	
RE40,625 E	1/2009	Wurz	D706,741 S *	6/2014	Myers D14/172	
7,479,066 B2	1/2009	Emori	D707,646 S	6/2014	Kim	
D587,272 S	2/2009	Morrow	D712,975 S	9/2014	Lesley	
D587,319 S	2/2009	Moises Deiab	D713,811 S	9/2014	Isaacs	
RE40,671 E	3/2009	Wurz	D714,269 S	9/2014	Lee	
7,503,849 B2	3/2009	Hornik	D714,270 S	9/2014	Lee	
D590,025 S	4/2009	Fiore	D714,271 S	9/2014	Lee	
D594,068 S	6/2009	Hsu	D714,875 S	10/2014	Wudtke	
D596,678 S	7/2009	Myers	D715,364 S	10/2014	Wudtke	
D599,365 S	9/2009	Brown	D716,246 S	10/2014	Yun	
D599,858 S	9/2009	Lesley	D719,615 S	12/2014	Inoue	
D599,859 S	9/2009	Lesley	D719,616 S	12/2014	Inoue	
D599,860 S	9/2009	Lesley	D726,140 S	4/2015	Park	
D601,638 S	10/2009	Palmisano	D730,993 S	6/2015	Castro	
D604,368 S	11/2009	Lesley	D732,520 S	6/2015	Themann	
7,628,693 B2	12/2009	Thomas	D733,088 S	6/2015	Garneau	
7,666,085 B2	2/2010	Vorias	D736,751 S	8/2015	Lee	
D612,432 S	3/2010	De Viveiros Ortiz	D736,752 S	8/2015	Lee	
7,686,689 B2	3/2010	Thomas	D740,888 S *	10/2015	Depalma D21/370	
D613,802 S	4/2010	Meyers	D742,974 S	11/2015	Lesley	
D615,598 S	5/2010	McComb	D742,975 S	11/2015	Myers	
7,713,119 B2	5/2010	Pacey	D744,579 S	12/2015	Cope	
D622,780 S	8/2010	Lesley	D747,718 S	1/2016	Drabant	
D622,781 S	8/2010	Lesley	D760,846 S	7/2016	Castro	
D622,782 S	8/2010	Chudek	D762,613 S	8/2016	Garneau	
D626,182 S	10/2010	Cole	RE46,169 E	10/2016	Kelly	
D626,183 S	10/2010	Cole	D770,406 S	11/2016	Fleming, Jr.	
7,811,167 B2	10/2010	Giobbi	D786,242 S	5/2017	Ho	
D631,060 S	1/2011	Flik	D803,323 S	11/2017	Bussey et al.	
D631,100 S	1/2011	Palmisano	D808,354 S	1/2018	Castro et al.	
D633,950 S	3/2011	Terpstra	D812,146 S	3/2018	Castro	
D637,238 S	5/2011	O'Keene	D812,147 S	3/2018	Castro	
D637,652 S	5/2011	Tahara	D812,148 S	3/2018	Castro	
7,938,728 B2	5/2011	Vetter	D812,149 S	3/2018	Castro	
7,955,176 B2	6/2011	Tastad	D819,747 S	6/2018	Castro	
			2002/0041069 A1	4/2002	Steelman	
			2003/0122973 A1	7/2003	Huang	
			2004/0018877 A1	1/2004	Tastad	
			2004/0029631 A1	2/2004	Duhamel	

(56)

References Cited

U.S. PATENT DOCUMENTS

2004/0053662 A1 3/2004 Pacey
 2005/0014547 A1 1/2005 Gomez
 2006/0009284 A1 1/2006 Schwartz
 2006/0034042 A1 2/2006 Hisano
 2006/0079316 A1 4/2006 Flemming
 2006/0131810 A1 6/2006 Nicely
 2006/0183553 A1 8/2006 Kiriyama
 2006/0199638 A1 9/2006 Walker
 2006/0281559 A1 12/2006 Luciano
 2006/0287111 A1 12/2006 Mitchell
 2008/0039213 A1 2/2008 Cornell
 2008/0051202 A1 2/2008 Lube
 2008/0188293 A1 8/2008 Rasmussen
 2009/0174996 A1 7/2009 Park
 2010/0053231 A1 3/2010 Park
 2012/0122569 A1 5/2012 Kowolik
 2013/0278875 A1 10/2013 Kim
 2013/0321373 A1 12/2013 Yoshizumi
 2013/0321740 A1 12/2013 An
 2014/0092356 A1 4/2014 Ahn
 2014/0176856 A1 6/2014 Lee
 2014/0226111 A1 8/2014 Kim
 2014/0226112 A1 8/2014 Kim
 2014/0226275 A1 8/2014 Ko
 2015/0036073 A1 2/2015 Im
 2015/0116621 A1 4/2015 Park
 2015/0116625 A1 4/2015 Hwang
 2015/0301390 A1 10/2015 Kim
 2016/0093143 A1 3/2016 Lamb et al.
 2016/0364946 A1 12/2016 Castro et al.
 2017/0039803 A1* 2/2017 Lesley G07F 17/3216
 2017/0092052 A1 3/2017 McKay et al.

FOREIGN PATENT DOCUMENTS

KR 10-1113734 B1 2/2012
 KR 10-2012051630 A 5/2012
 KR 10-1268471 B1 6/2013
 KR 10-1278904 B1 6/2013
 KR 10-1336677 B1 12/2013

KR 10-1381609 B1 4/2014
 KR 10-1381610 B1 4/2014
 KR 10-2015013987 A 2/2015
 KR 10-1539221 B1 7/2015
 TW 200949775 A 12/2009

OTHER PUBLICATIONS

DigiTimes Inc.; “FPD China 2009: AUO 8.9-inch convex display panel”; Mar. 12, 2009; retrieved from <<http://digitimes.com/photogallery/showphoto.asp?ID=3376>> (3 pages).
 Gizmodo.com; “AUO Curved Displays, Ultra Thin LCDs on the Way”; May 20, 2008; retrieved from <<http://gizmodo.com/392248/auo-curved-displays-ultra-thin-lcds-on-the-way>> (2 pages).
 PC World; “AU Optronics Shows off Curved LCD Screen”; May 20, 2008; retrieved from <<http://pcworld.com/article.amp.html>> (3 pages).
 NewLaunches.com; “LG Phillips LCD develops world’s highest resolution 14.3-inch flexible color E-paper display!”; Jan. 3, 2008; retrieved from <http://newlaunches.com/archives.lgphilips_lcd_develops_worlds_highest_resolution_143inch_flexible_color_epaper_display.php> (4 pages).
 Denison; “Why can’t you buy a flat OLED yet? The curve isn’t just about viewing experience”; Digital Trends; Aug. 18, 2013; retrieved from <<http://digitaltrends.com/home-theater/why-did-the-us-get-stuck-with-curved-oled#!zXypT>> (8 pages).
 Snider; “Sony tosses latest pitch for curved TV displays”; USA Today; Oct. 15, 2013; retrieved from <<http://www.usatoday.com/story/tech/personal/2013/10/15/new-curved-sony-led-hdtv/2982051/>> (2 pages).
 Daniel; “Curved Monitors-Overview”; Curved Monitor Test; Aug. 28, 2015; retrieved from <<http://www.curved-monitor-test.de/>> (5 pages).
 Matthias; “Curved TV-Overview”; Curved TV Test; Apr. 20, 2016; retrieved from <<https://technikblog.net/fernseher-test/curved-tv/>> (16 pages, in German).
 Morrison; “Curved OLED HDTV screens are a bad idea (for now)”; CNET; Jun. 18, 2013; retrieved from <<http://www.cnet.com/news/curved-oled-hdtv-screens-are-a-bad-idea-for-now/>> (9 pages).

* cited by examiner

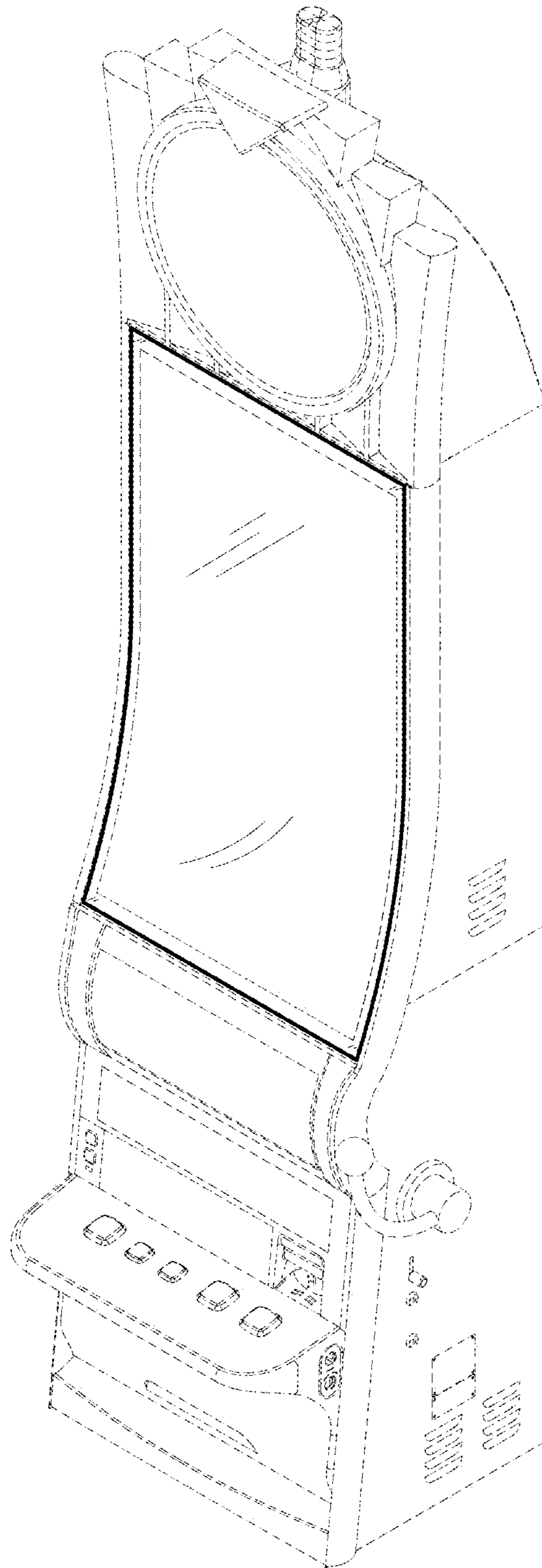


FIG. 1

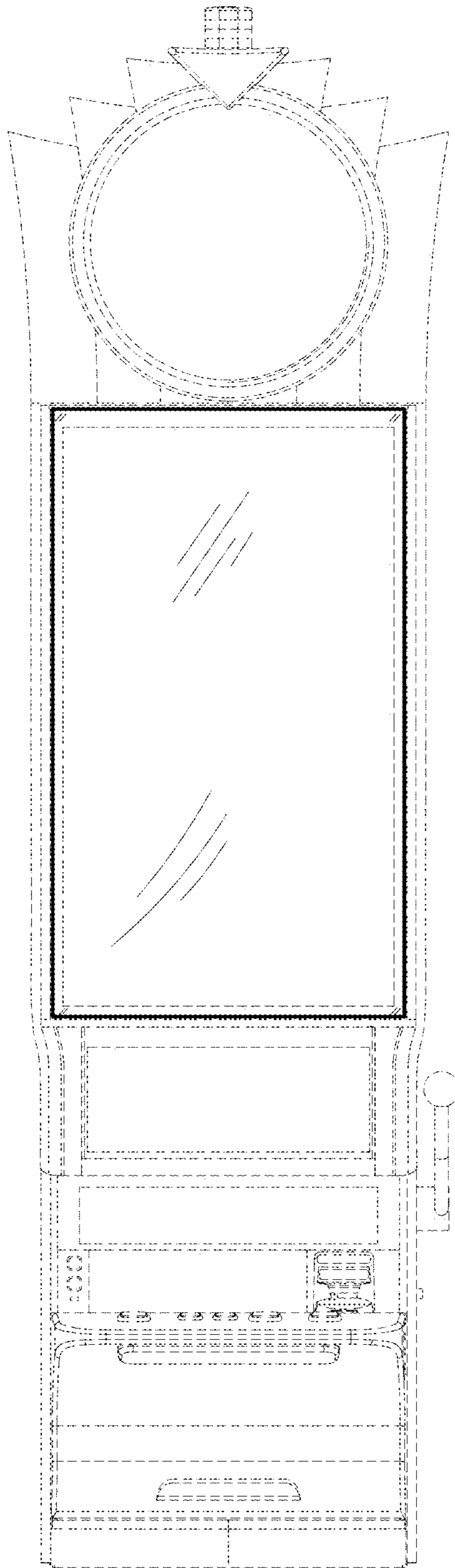


FIG. 2

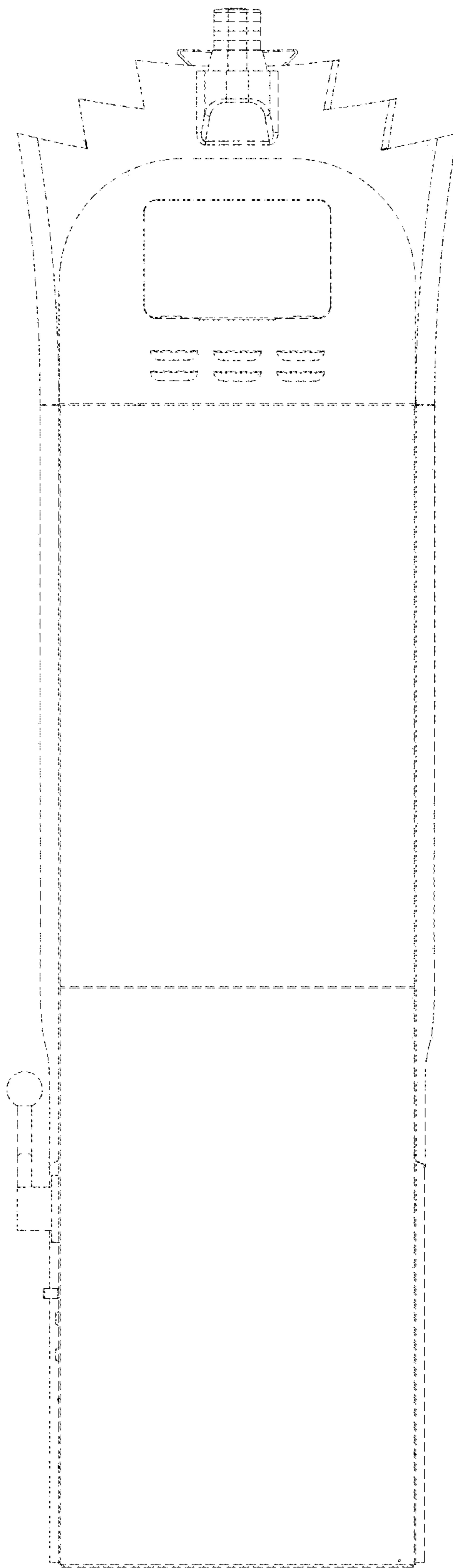


FIG. 3

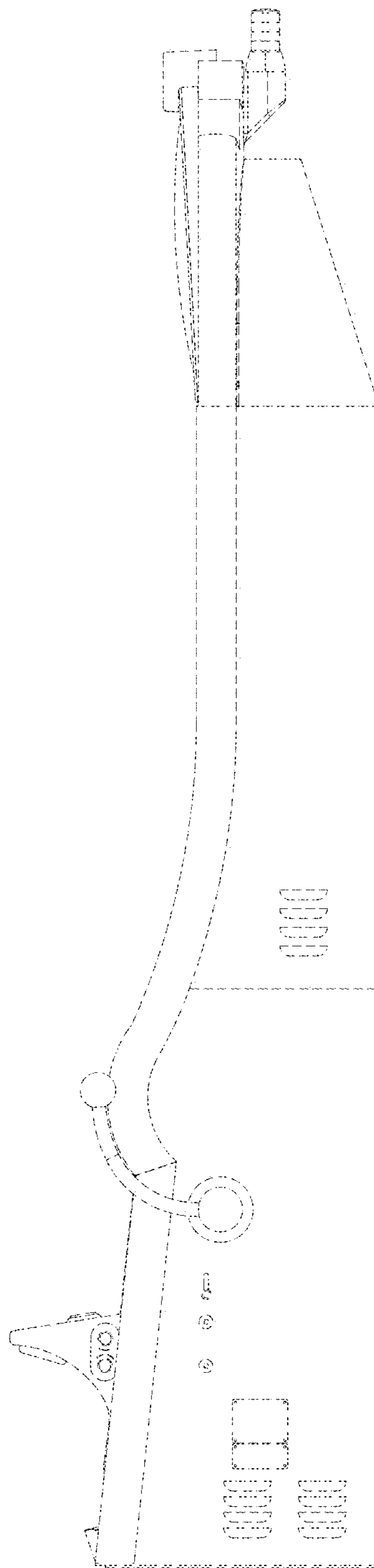


FIG. 4

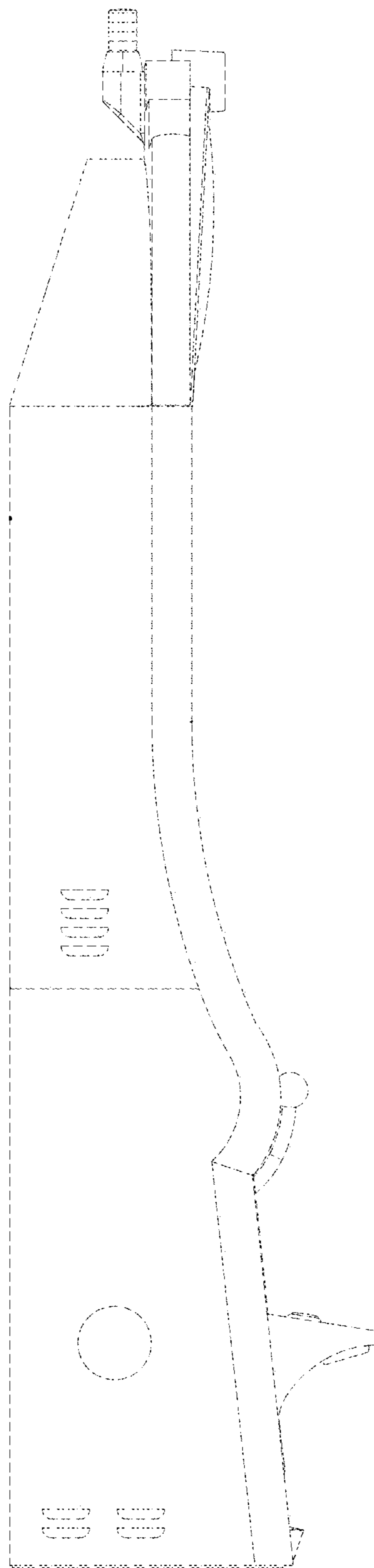


FIG. 5

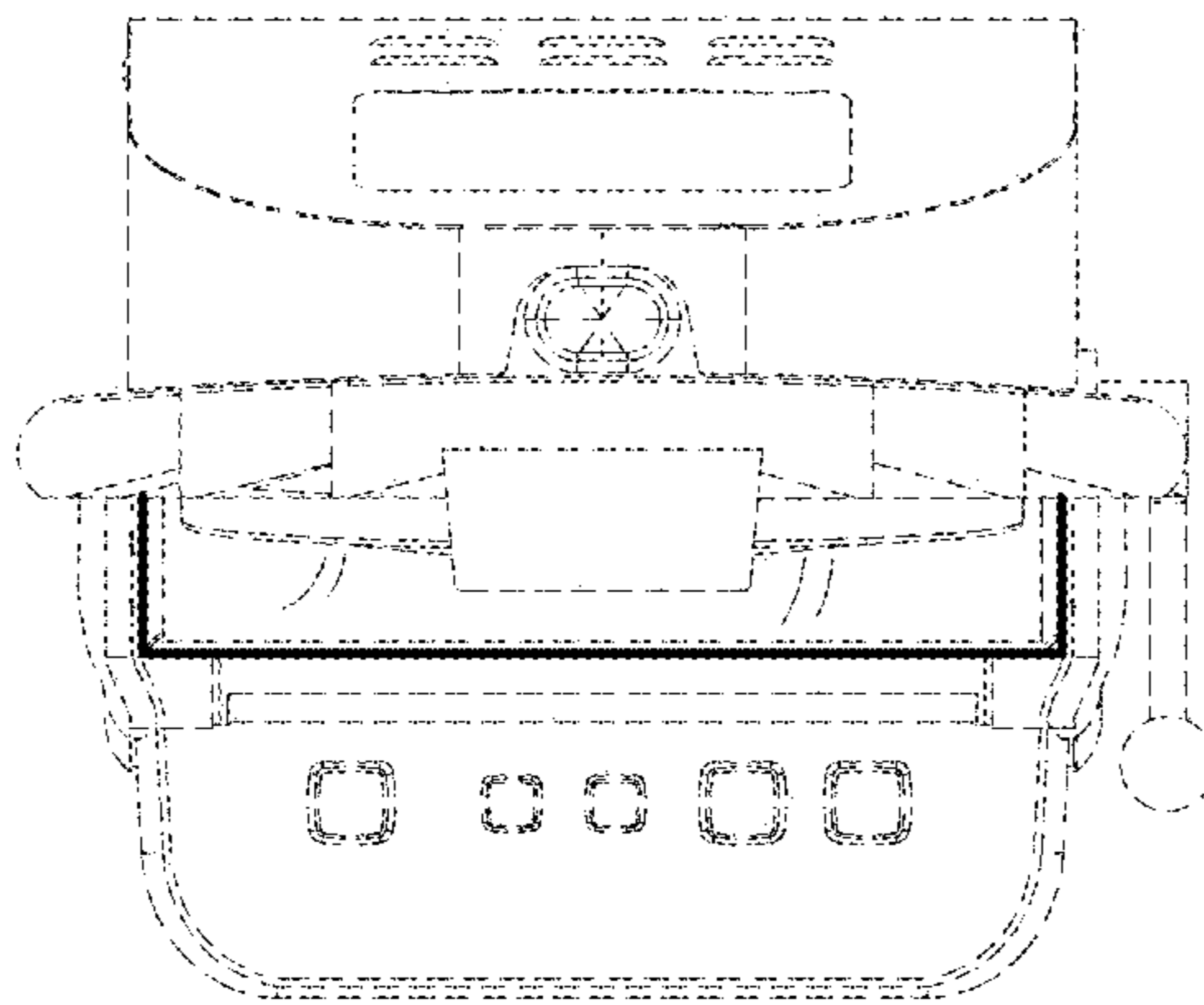


FIG. 6

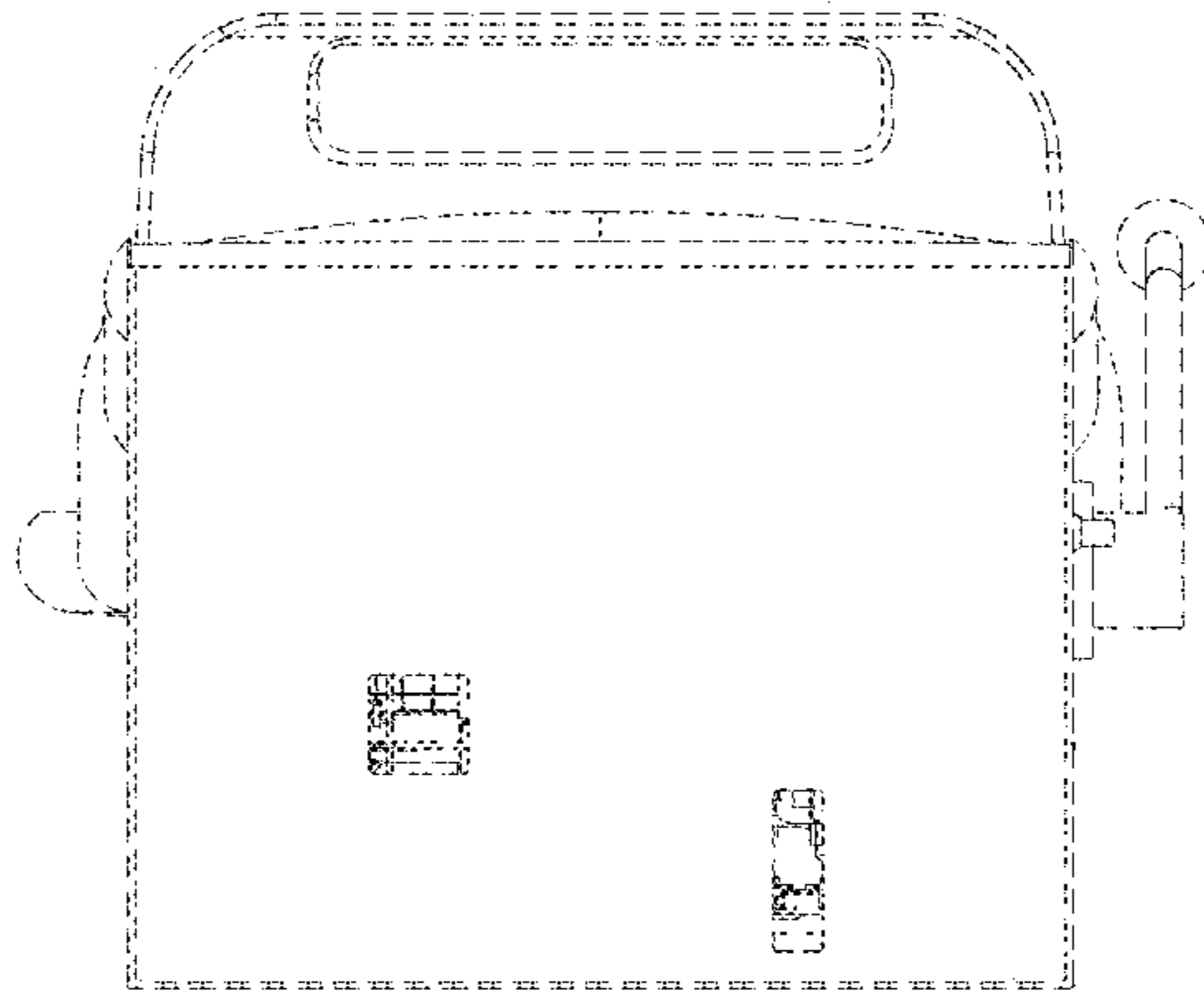


FIG. 7