



US00D871505S

(12) **United States Design Patent**  
**Wang**

(10) **Patent No.:** **US D871,505 S**

(45) **Date of Patent:** **\*\* Dec. 31, 2019**

(54) **COMPUTER GAME JOYSTICK**

(71) Applicant: **Daoyou Wang**, ezhou (CN)

(72) Inventor: **Daoyou Wang**, ezhou (CN)

(\*\*) Term: **15 Years**

(21) Appl. No.: **29/691,592**

(22) Filed: **May 17, 2019**

(51) **LOC (12) Cl.** ..... **21-02**

(52) **U.S. Cl.**  
USPC ..... **D21/333**

(58) **Field of Classification Search**  
USPC ..... D14/174, 218, 387-389, 400-418,  
D14/426-431, 443, 449-450, 454, 471,  
D14/511; D21/333, 363, 368  
CPC ..... A63F 13/42; A63F 13/98  
See application file for complete search history.

(56) **References Cited**

**U.S. PATENT DOCUMENTS**

D522,011 S *	5/2006	Hayes	.....	D14/401
7,063,321 B2 *	6/2006	Hussaini	.....	A63F 13/06 273/148 B
D620,940 S *	8/2010	Claussen	.....	D14/401
D685,434 S *	7/2013	Ali	.....	D14/401
D694,830 S *	12/2013	Crowley	.....	D14/401
D700,182 S *	2/2014	Kidakarn	.....	D14/401
D709,882 S *	7/2014	Morris	.....	D14/401
D808,968 S *	1/2018	Tang	.....	D14/401
D819,641 S *	6/2018	Tsuchiya	.....	D14/401
D823,945 S *	7/2018	Falc	.....	D21/333
10,201,747 B2 *	2/2019	Mistry	.....	A63F 13/24
D854,619 S *	7/2019	Konishi	.....	D21/333
2005/0215321 A1 *	9/2005	Hussaini	.....	A63F 13/06 463/37

**OTHER PUBLICATIONS**

Qingta Wireless Game Controller for Nintendo Switch: Published May 25, 2019 [online], site visited Sep. 10, 2019. Available from Internet URL: [https://www.amazon.co.uk/dp/B07SCRPM4W/ref=cm\\_sw\\_r\\_tw\\_dp\\_U\\_x\\_sY9DDbZYRRXRJ](https://www.amazon.co.uk/dp/B07SCRPM4W/ref=cm_sw_r_tw_dp_U_x_sY9DDbZYRRXRJ) (Year: 2019).\*  
Stoga Wireless Game Controller for Nintendo Switch: Published Apr. 24, 2019 [online], site visited Sep. 10, 2019. Available from Internet URL: [https://www.amazon.co.uk/dp/B07R718MLL/ref=cm\\_sw\\_r\\_tw\\_dp\\_U\\_x\\_TY9DDb3W6PR3E](https://www.amazon.co.uk/dp/B07R718MLL/ref=cm_sw_r_tw_dp_U_x_TY9DDb3W6PR3E) (Year: 2019).\*  
Jevogh Switch Pro Controller Wireless: Published Jan. 12, 2019[online], site visited Sep. 25, 2019. Available from Internet URL: [https://www.amazon.co.uk/dp/B07QQPL9Y7/ref=cm\\_sw\\_r\\_tw\\_dp\\_U\\_x\\_Yd8IDb8MTP2J2](https://www.amazon.co.uk/dp/B07QQPL9Y7/ref=cm_sw_r_tw_dp_U_x_Yd8IDb8MTP2J2) (Year: 2019).\*

\* cited by examiner

*Primary Examiner* — Jack Reickel  
*Assistant Examiner* — Melvin L Davis  
(74) *Attorney, Agent, or Firm* — Gokalp Bayramoglu

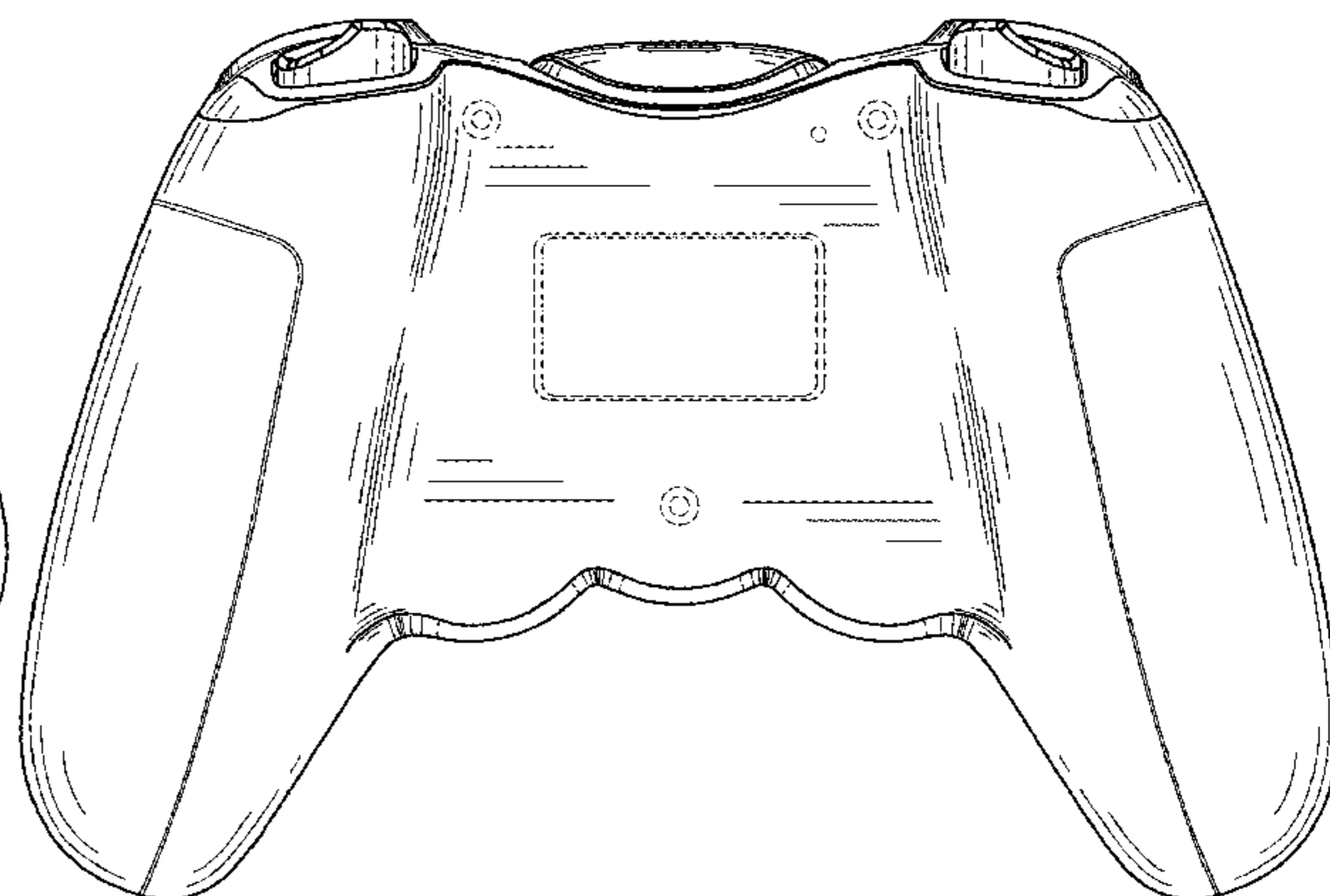
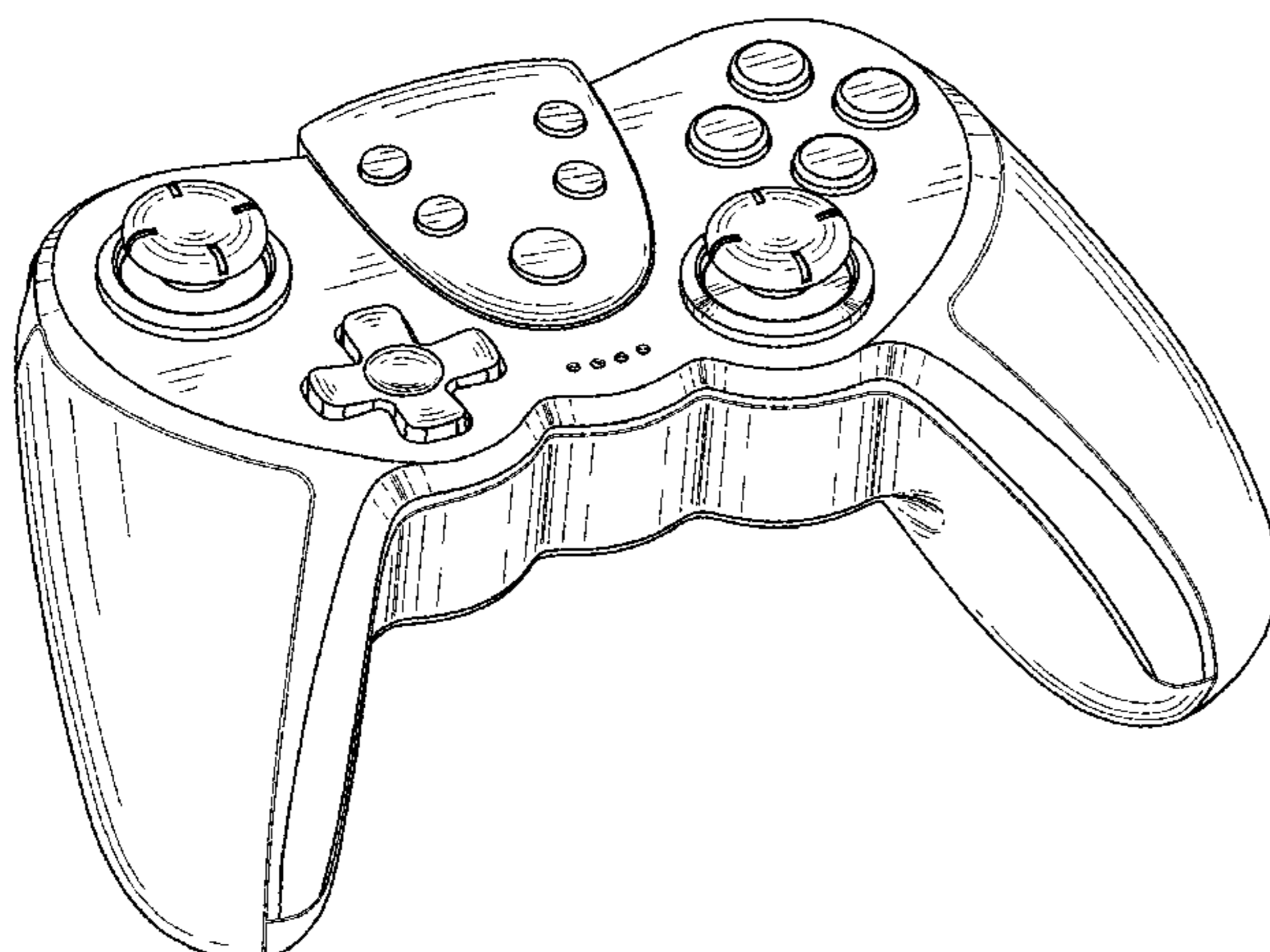
(57) **CLAIM**

The ornamental design for a computer game joystick, as shown and described.

**DESCRIPTION**

FIG. 1 is a perspective view of a computer game joystick showing the new design;  
FIG. 2 is front view thereof;  
FIG. 3 is a rear view thereof;  
FIG. 4 is a left side view thereof;  
FIG. 5 is a right side view thereof;  
FIG. 6 is a top view thereof; and,  
FIG. 7 is a bottom view thereof.  
The broken lines in the drawings depict portions of the computer game joystick that form no part of the claimed design.

**1 Claim, 7 Drawing Sheets**



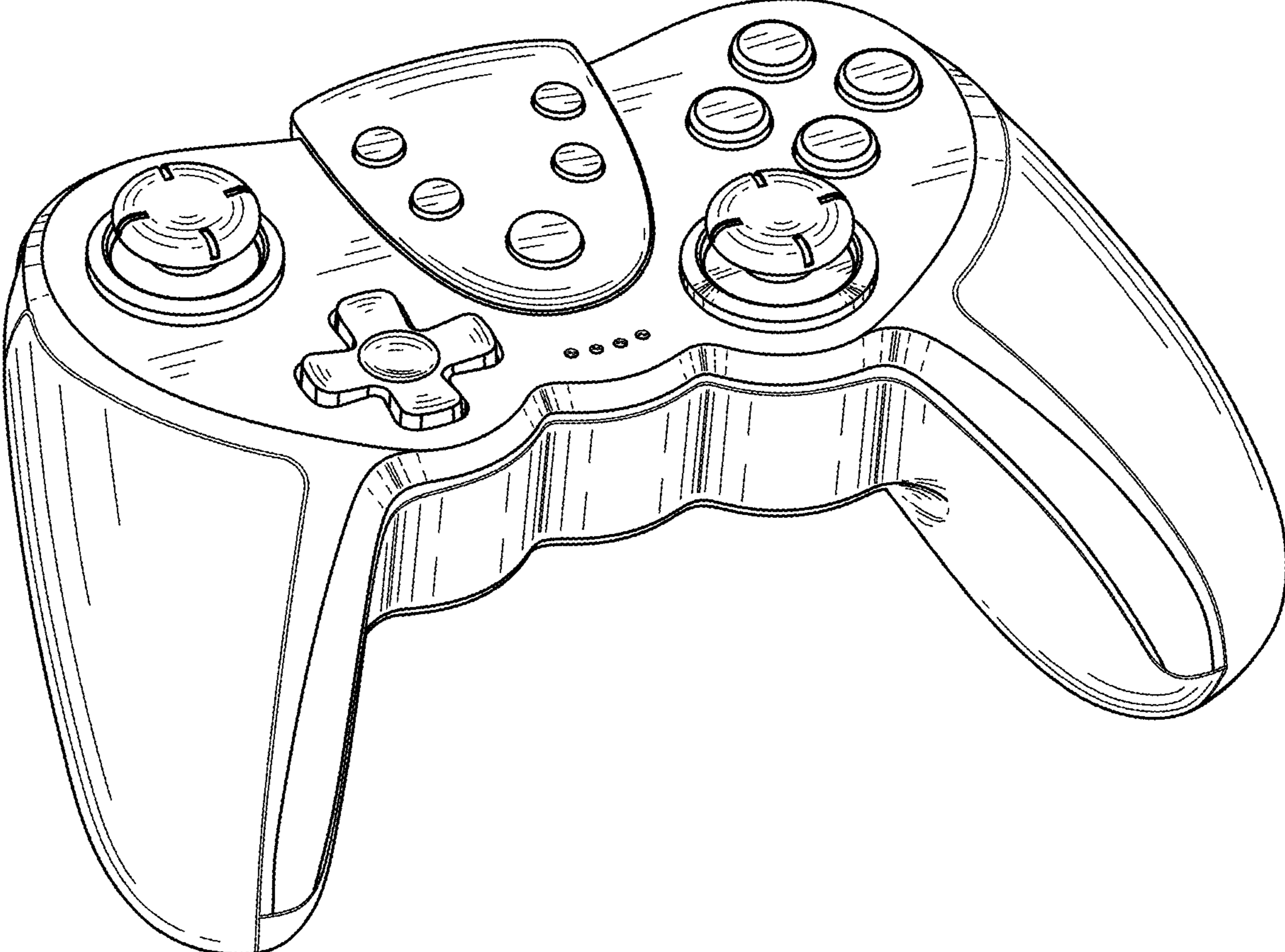


Fig. 1

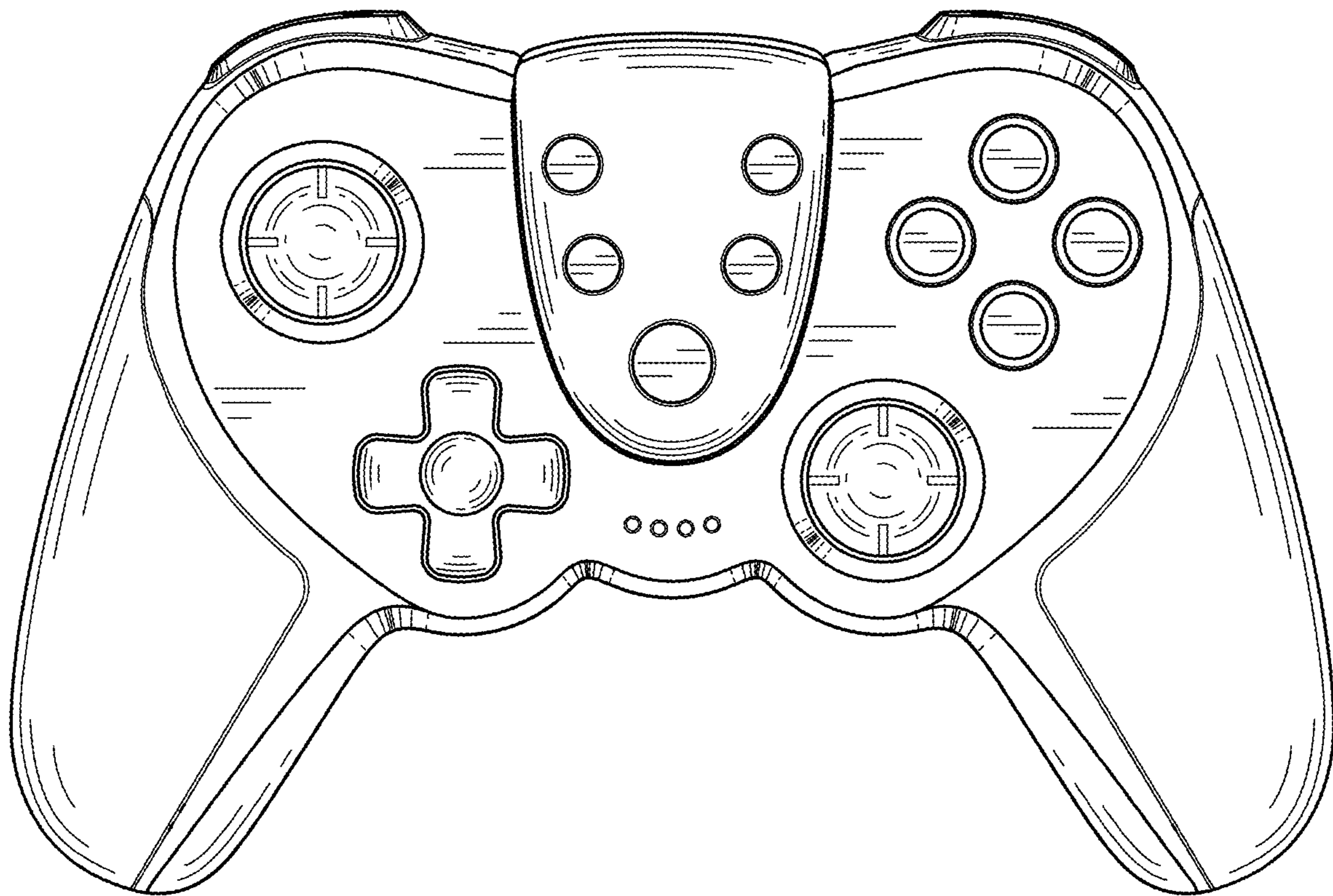


Fig. 2



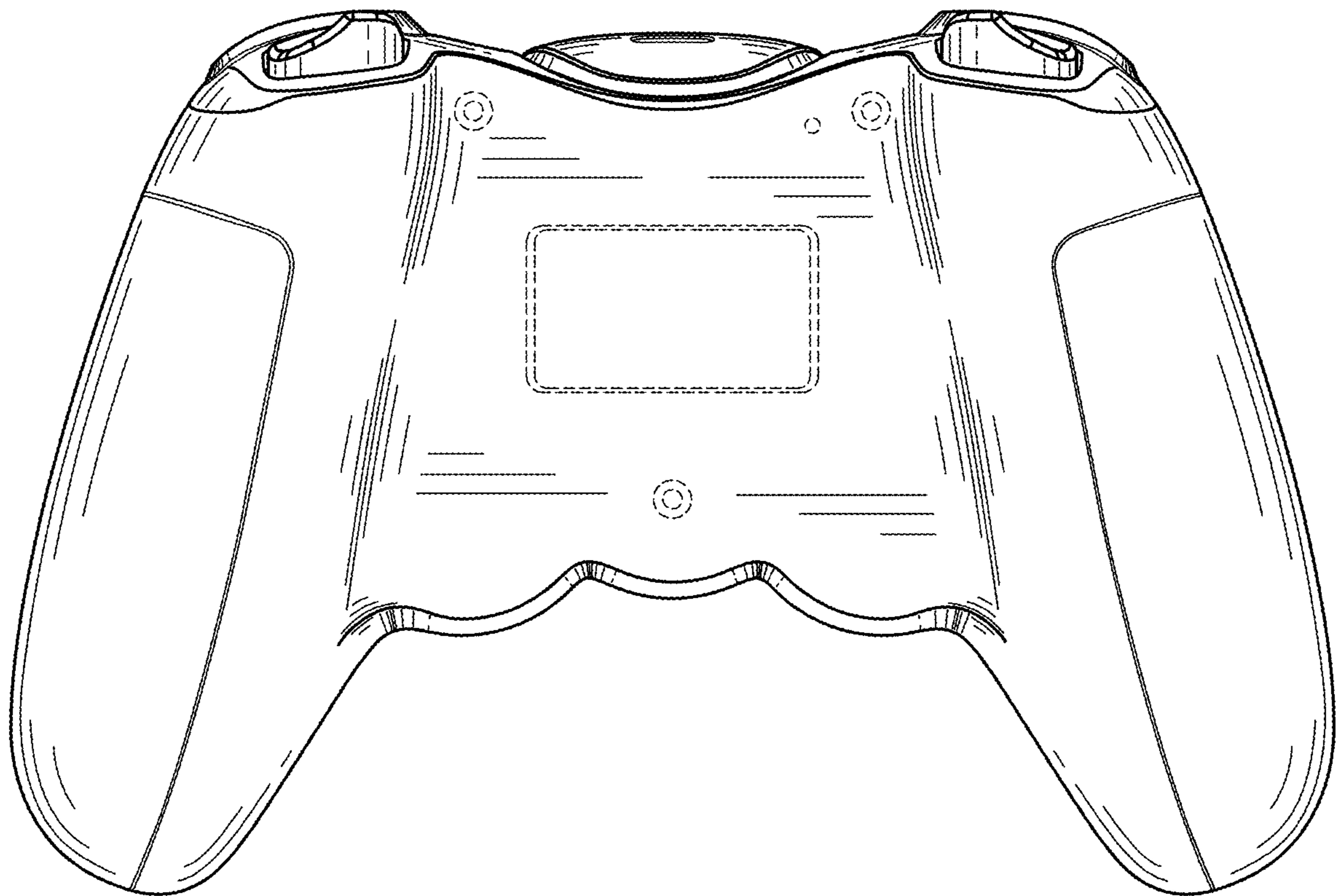


Fig. 3

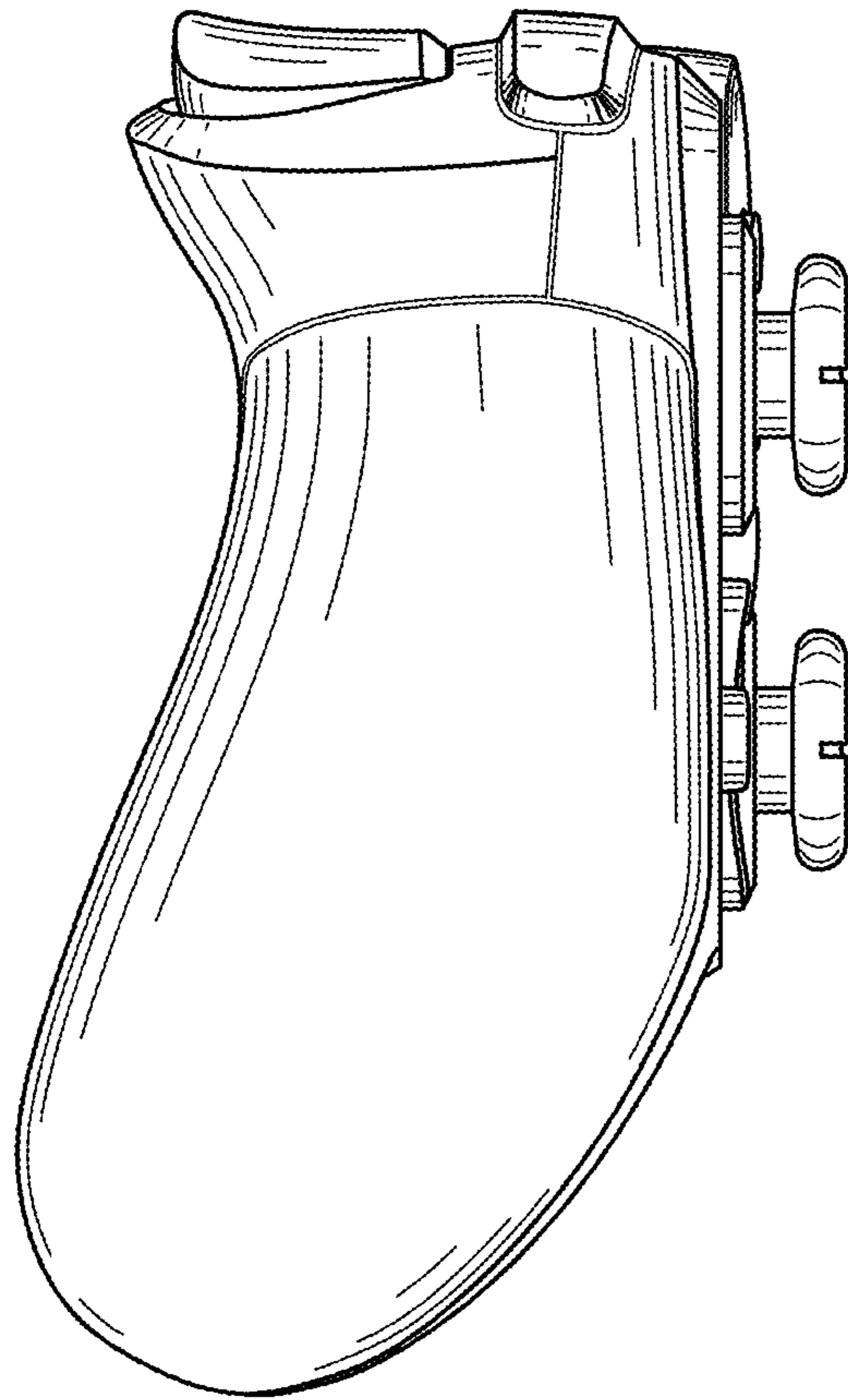


Fig. 4

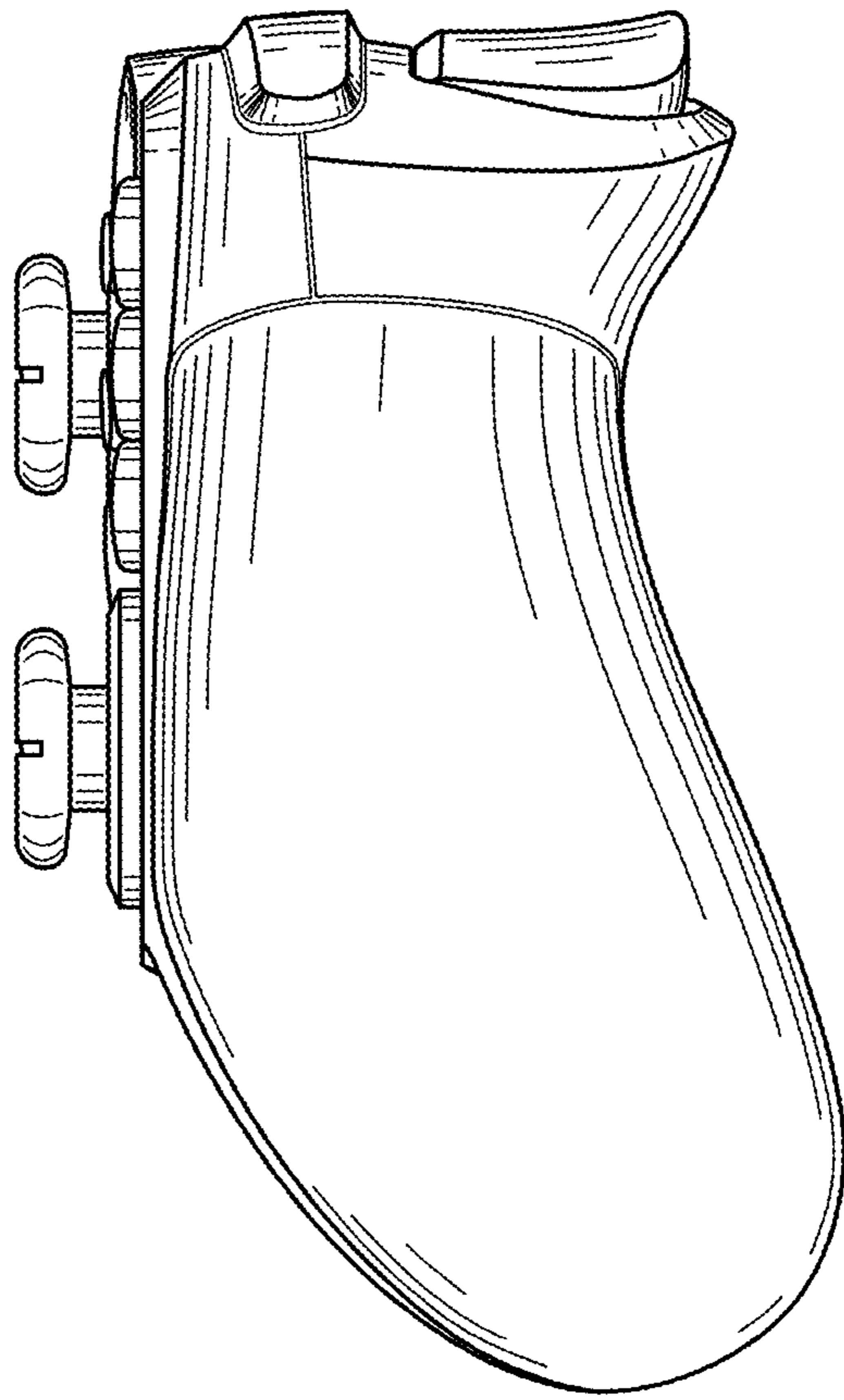


Fig. 5

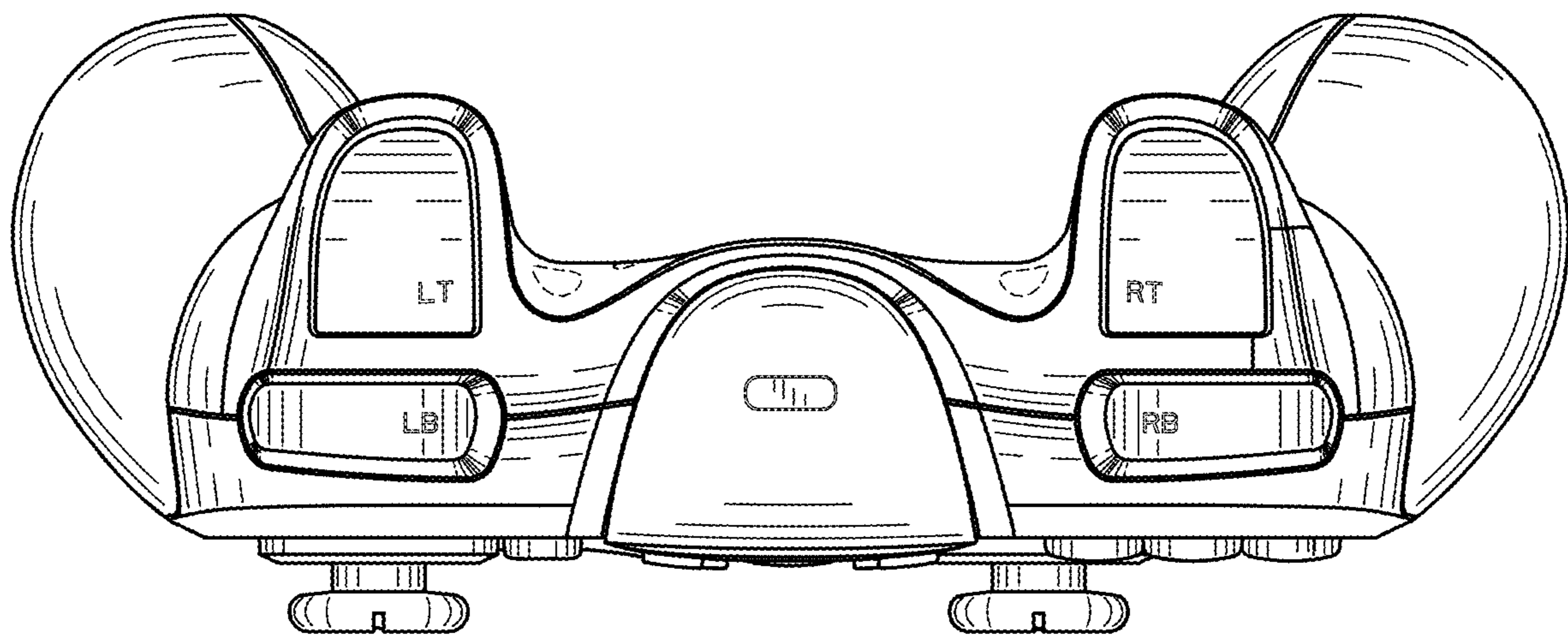


Fig. 6

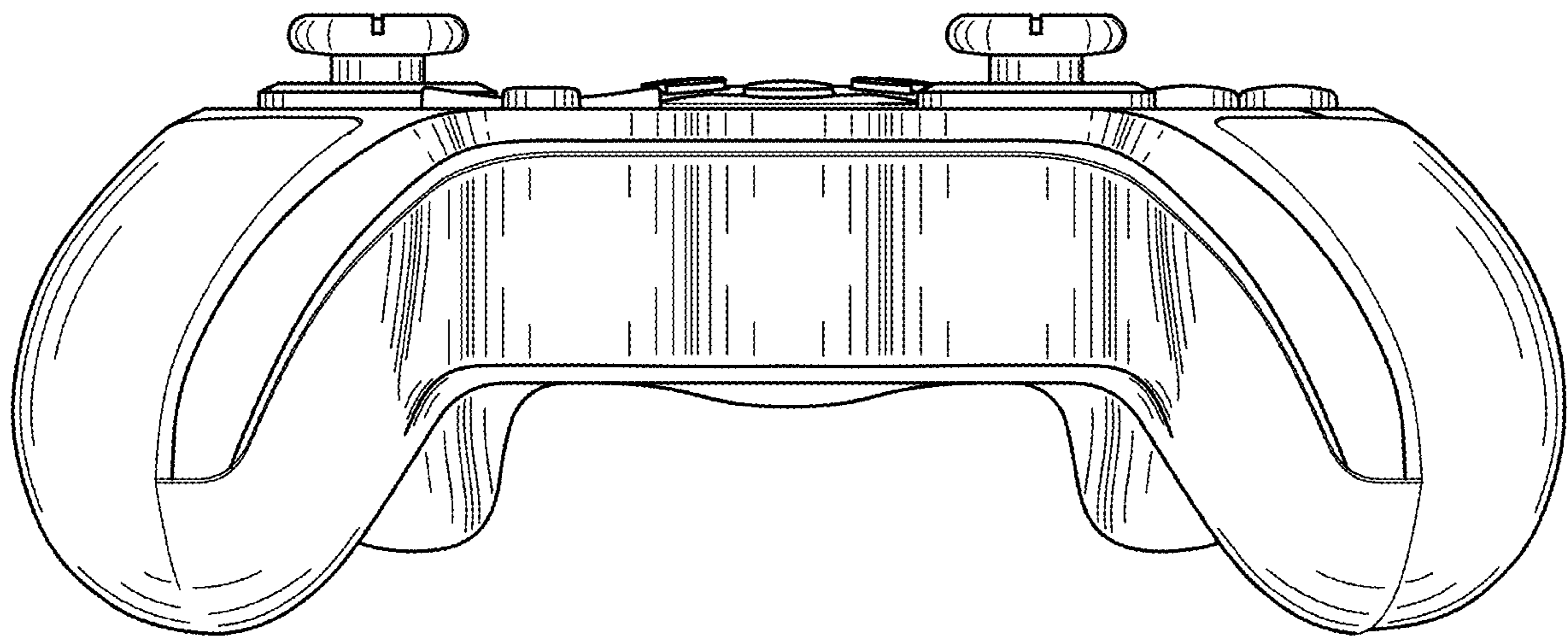


Fig. 7