



US00D871503S

(12) **United States Design Patent**
Andrzejewski

(10) **Patent No.:** **US D871,503 S**

(45) **Date of Patent:** **** Dec. 31, 2019**

(54) **POSTER HOISTING AND HANGING APPARATUS**

(71) Applicant: **Jarek Andrzejewski**, Brookfield Vic (AU)

(72) Inventor: **Jarek Andrzejewski**, Brookfield (AU)

(**) Term: **15 Years**

(21) Appl. No.: **35/505,339**

(22) Filed: **Jun. 1, 2018**

(80) **Hague Agreement Data**

Int. Filing Date: **Jun. 1, 2018**

Int. Reg. No.: **DM/101911**

Int. Reg. Date: **Jun. 1, 2018**

Int. Reg. Pub. Date: **Jul. 20, 2018**

(51) **LOC (12) Cl.** **20-03**

(52) **U.S. Cl.**
USPC **D20/43**

(58) **Field of Classification Search**
USPC D20/10, 19, 42, 43, 99; D19/86, 90;
D6/300; 40/601, 603, 606.01, 606.11,
40/617

CPC G09F 7/18; G09F 7/20; G09F 2007/186;
G09F 15/0062

See application file for complete search history.

(56) **References Cited**

U.S. PATENT DOCUMENTS

D322,634 S *	12/1991	Callas	D20/42
D330,221 S *	10/1992	Levin	D19/91
D389,526 S *	1/1998	Callas	D20/43
D423,592 S *	4/2000	Wamsley	D20/42
D625,363 S *	10/2010	Lee	D20/42
8,104,207 B2 *	1/2012	Pitcher	G09F 7/20 248/323
D680,754 S *	4/2013	Wear	D6/300
D706,543 S *	6/2014	Stein	D20/43

D722,436 S *	2/2015	Stein	D20/43
9,027,271 B2 *	5/2015	Bronzoni	G09F 7/18 40/603
D742,969 S *	11/2015	White	D20/43
D742,970 S *	11/2015	White	G09F 7/20 D20/43
D749,404 S *	2/2016	White	D8/380
9,470,012 B2 *	10/2016	Shargani	E04F 10/02
9,691,304 B2 *	6/2017	Votolato	G09F 7/20
D806,170 S *	12/2017	Sim	D20/43
D818,349 S *	5/2018	White	G09F 7/18 D8/354
9,984,599 B2 *	5/2018	White	G09F 7/18
2007/0209261 A1 *	9/2007	Stover	G09F 7/18 40/617
2008/0148613 A1 *	6/2008	Lefebvre	G09F 7/00 40/601

(Continued)

Primary Examiner — Robert M. Spear
(74) *Attorney, Agent, or Firm* — Law Office of Jeff Williams PLLC; J. Oliver Williams

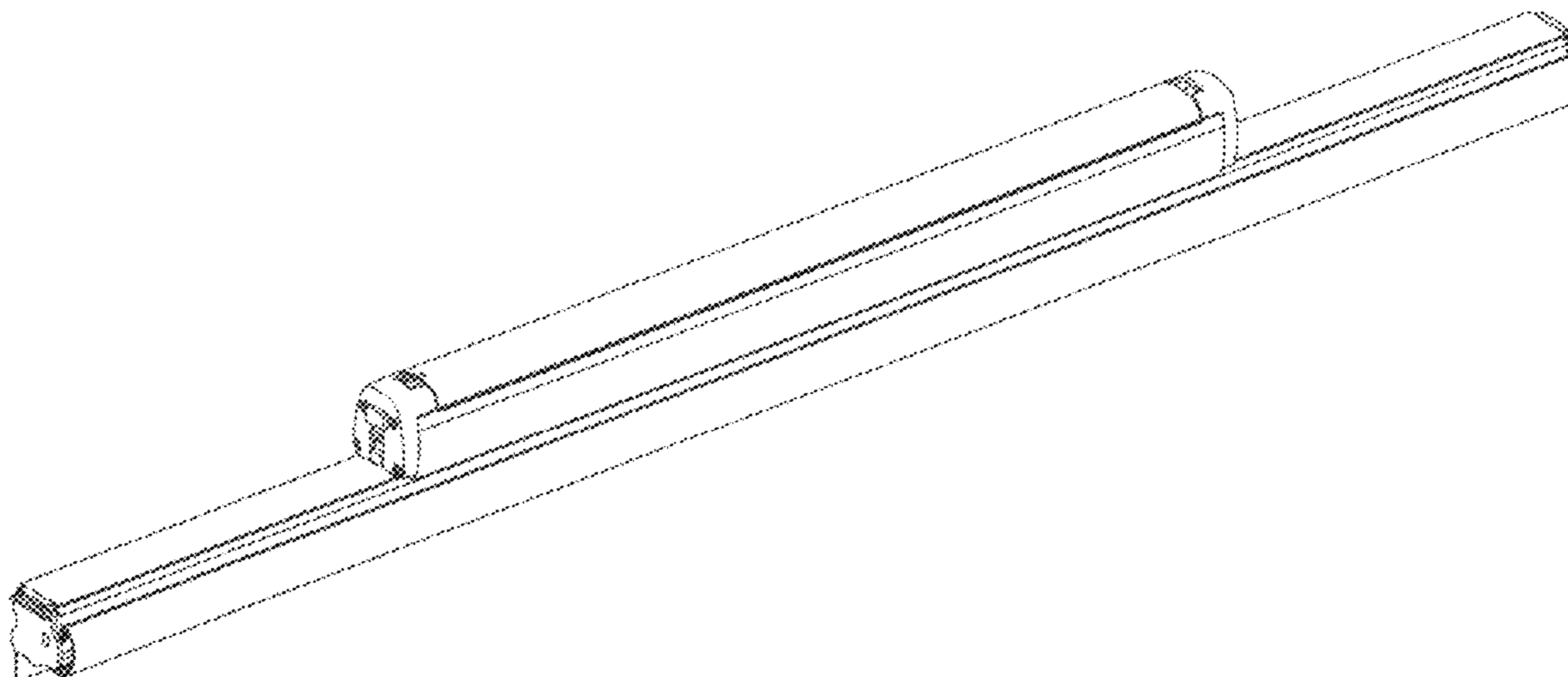
(57) **CLAIM**

The ornamental design for poster hoisting and hanging apparatus, as shown and described.

DESCRIPTION

1. Poster holder
 - 1.1 : Back
 - 1.2 : Front
 - 1.3 : Perspective
 - 1.4 : Perspective
 - 1.5 : Left
 - 1.6 : Right
 - 1.7 : Top
 - 1.8 : Bottom
 - 1.9 : Operational view with poster displayed
- The features defined by broken lines in the operational view do not form part of the design, but illustrate an exemplary poster being suspended from the apparatus in use while the apparatus is hung by cables attached to hooks above.

1 Claim, 9 Drawing Sheets



(56)

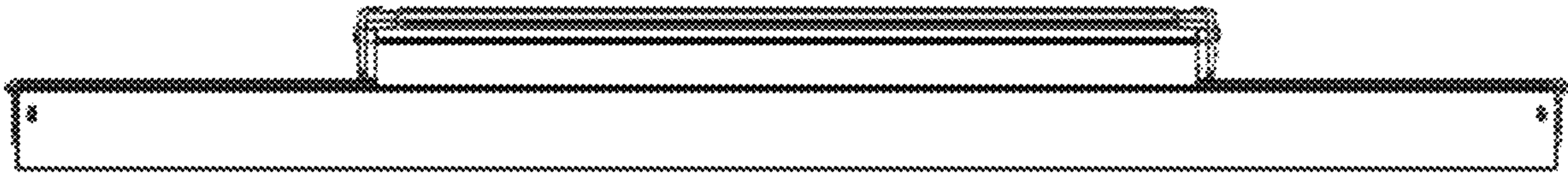
References Cited

U.S. PATENT DOCUMENTS

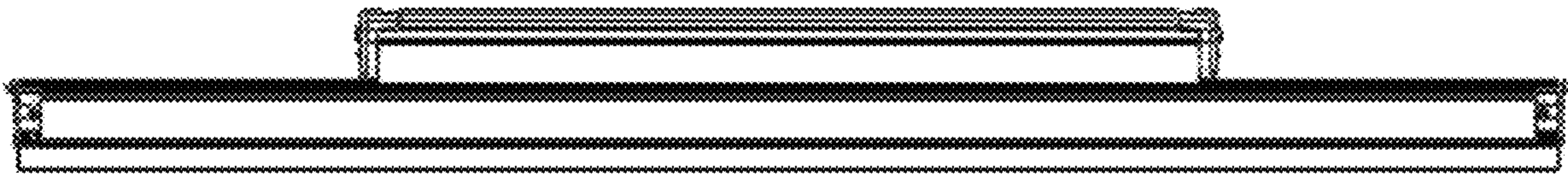
2010/0038042 A1* 2/2010 Criss E06B 9/40
160/313
2013/0037225 A1* 2/2013 Huang E06B 9/60
160/313
2013/0291415 A1* 11/2013 Stein A47G 1/1686
40/601

* cited by examiner

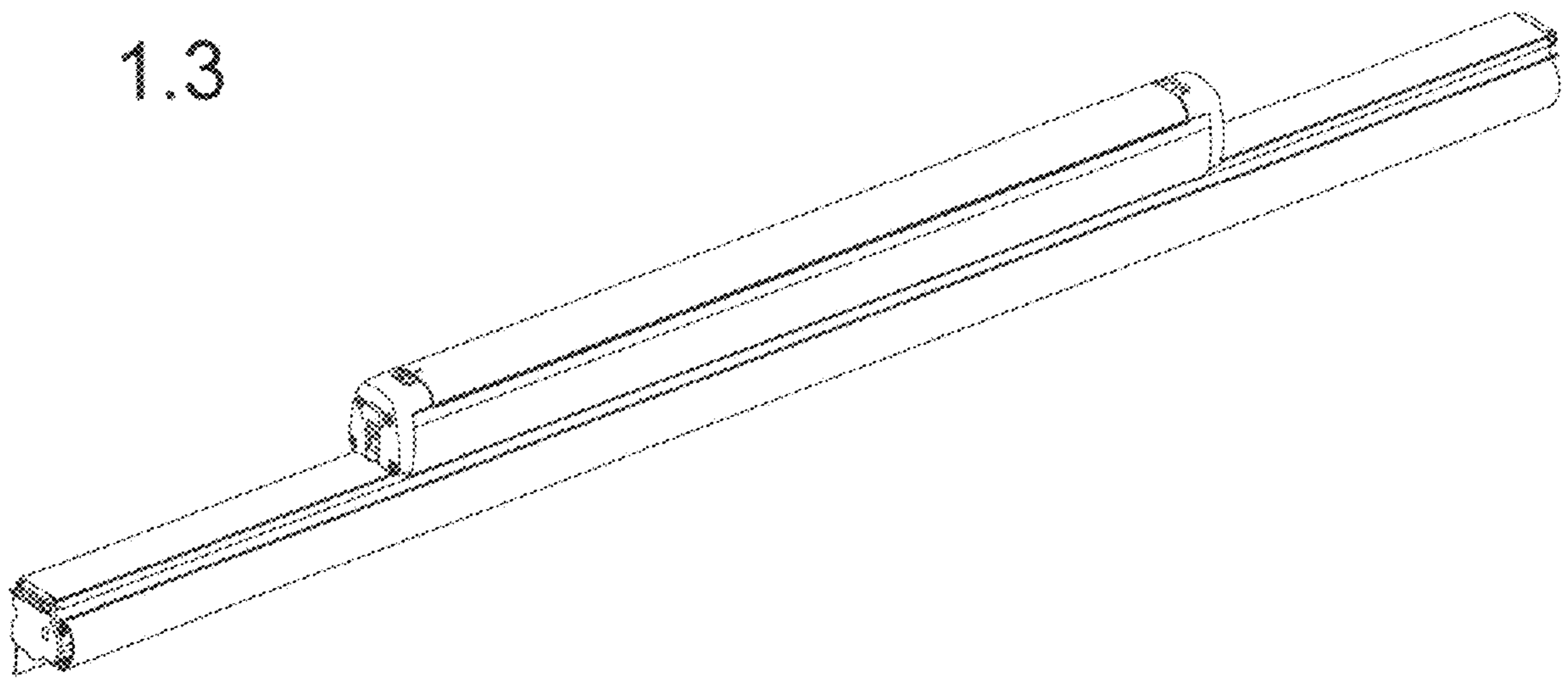
1.1

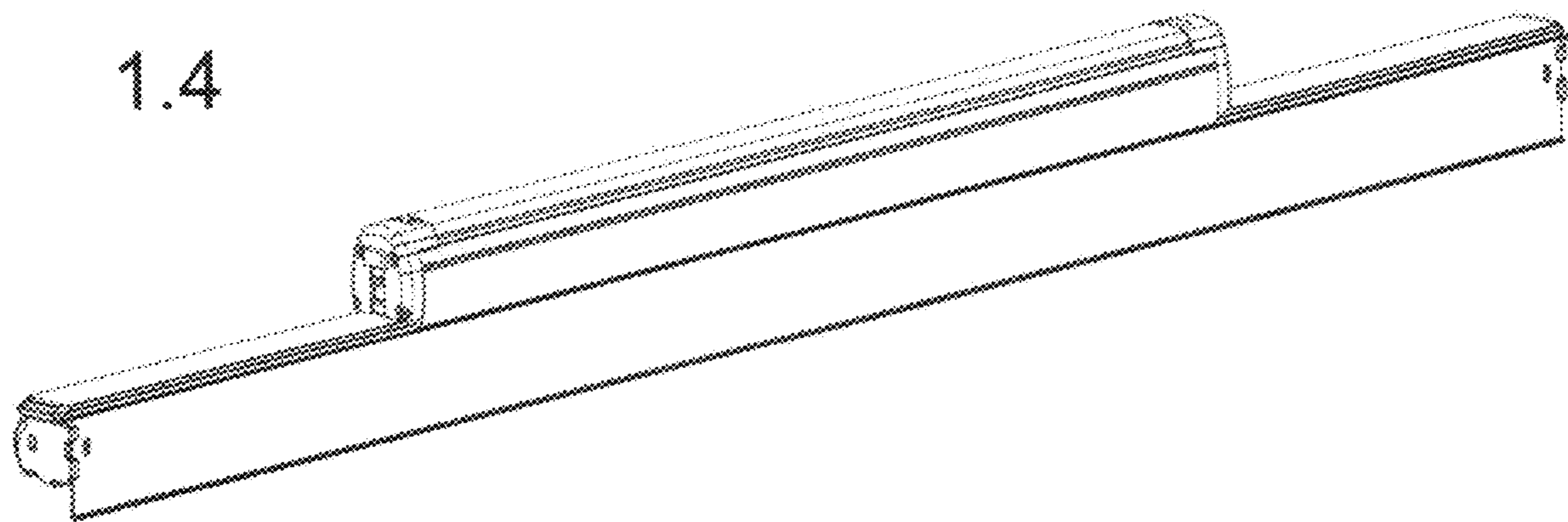


1.2

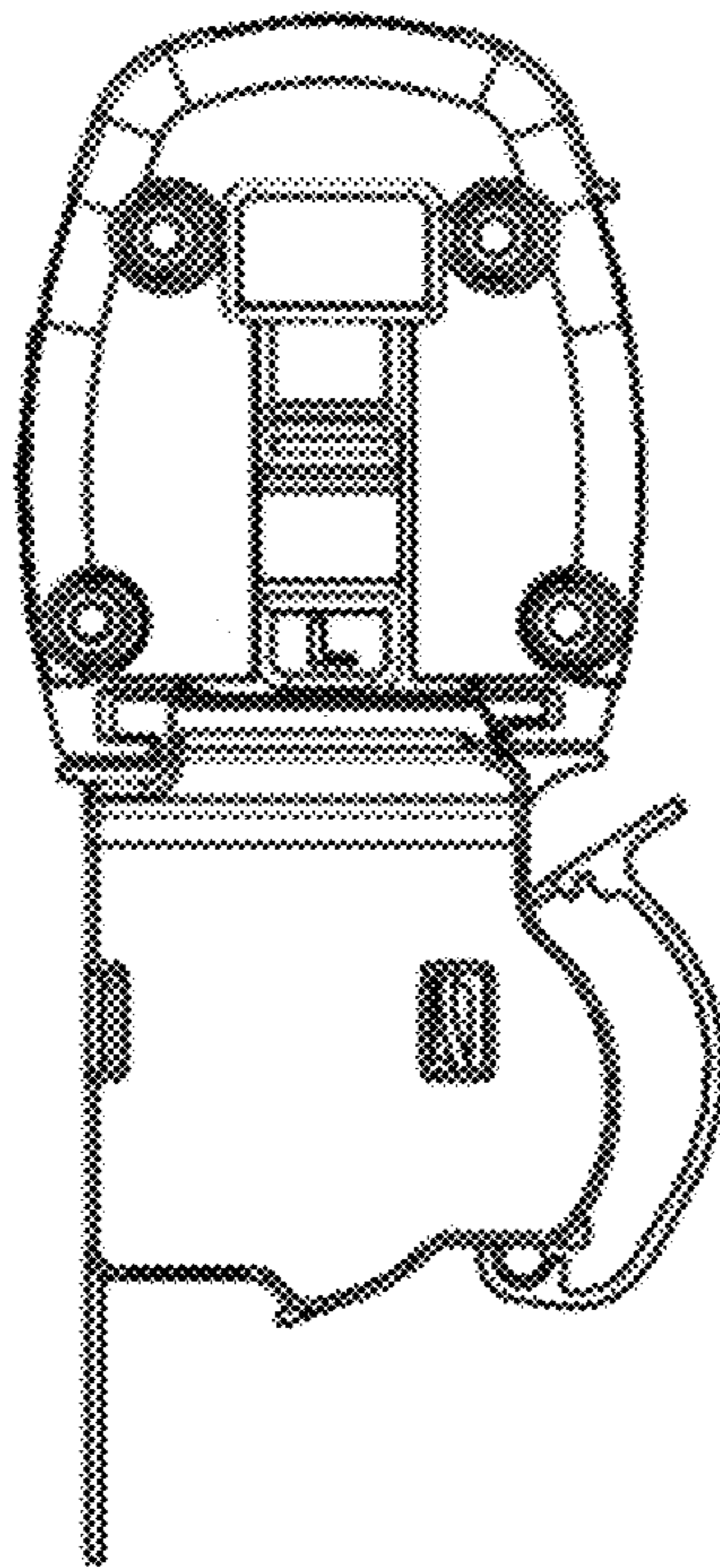


1.3

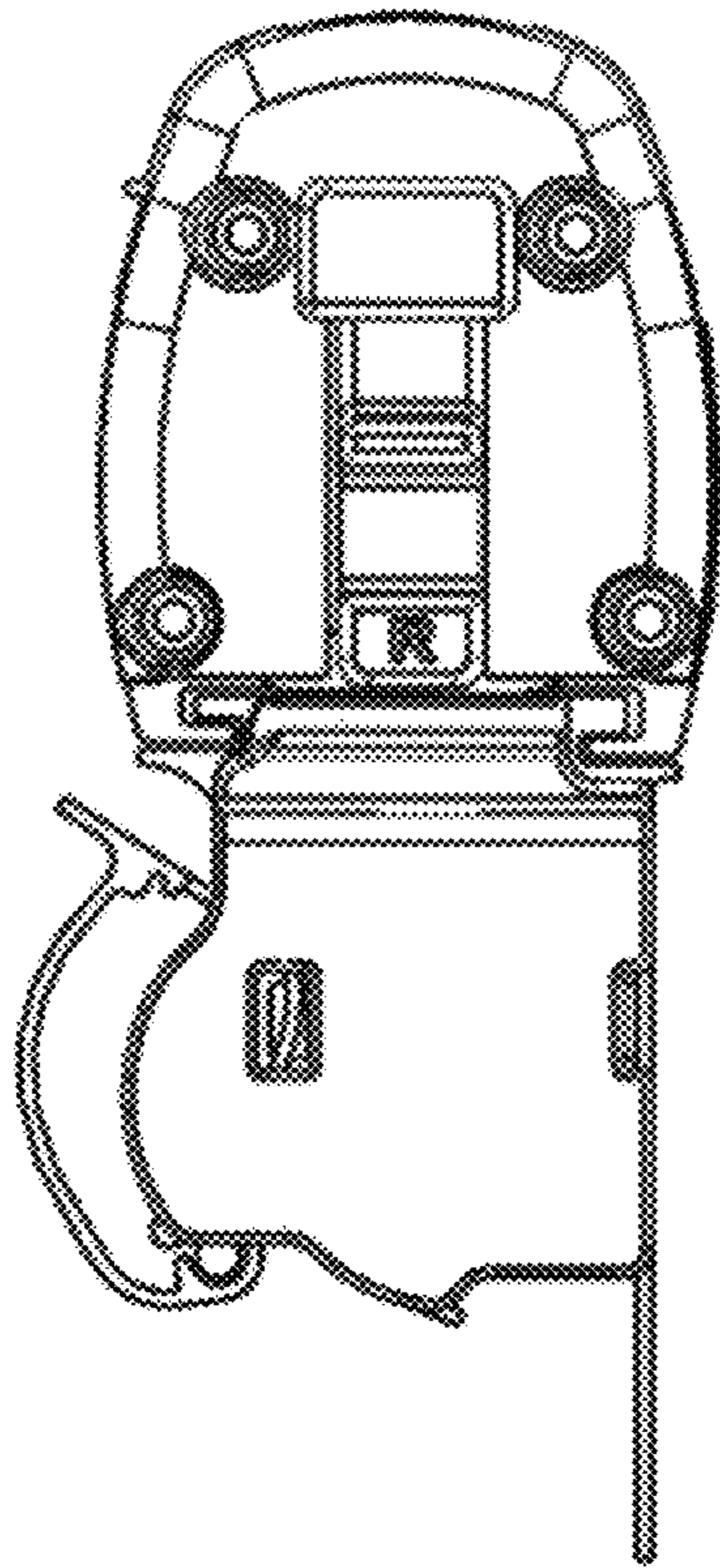




1.5



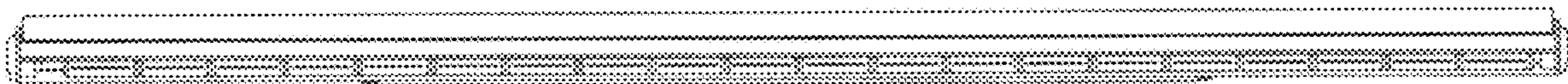
1.6



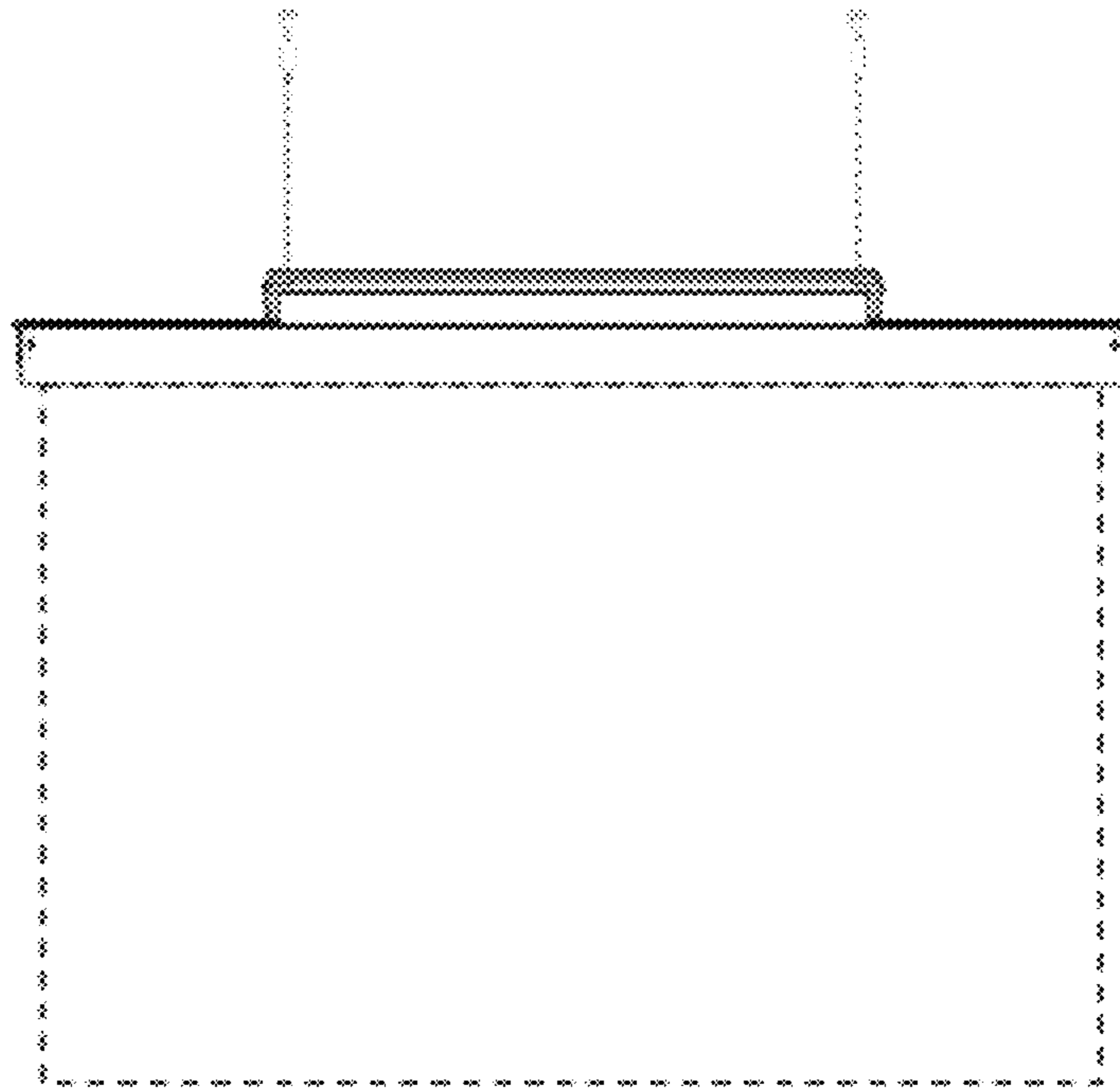
1.7



1.8



1.9



UNITED STATES PATENT AND TRADEMARK OFFICE
CERTIFICATE OF CORRECTION

PATENT NO. : D871,503 S
APPLICATION NO. : 35/505339
DATED : December 31, 2019
INVENTOR(S) : Jarek Andrzejewski

Page 1 of 1

It is certified that error appears in the above-identified patent and that said Letters Patent is hereby corrected as shown below:

On the Title Page

Add item (30):

Foreign Application Priority Data

Jan. 8, 2018 (AU)201717415

Signed and Sealed this
Twenty-fifth Day of January, 2022



Drew Hirshfeld
*Performing the Functions and Duties of the
Under Secretary of Commerce for Intellectual Property and
Director of the United States Patent and Trademark Office*