



US00D871502S

(12) **United States Design Patent** (10) **Patent No.:** **US D871,502 S**
Kageyama et al. (45) **Date of Patent:** **** Dec. 31, 2019**

(54) **SLEEVE WITH CUSHION SPRING FOR MECHANICAL PENCIL**

(71) Applicant: **KOTOBUKI & CO., LTD.**,
Saitama-Ken (JP)

(72) Inventors: **Hidehei Kageyama**, Kawagoe (JP);
Takeshi Wakayama, Kawagoe (JP)

(73) Assignee: **KOTOBUKI & CO., LTD.**,
Kawagoe-Shi, Saitama-Ken (JP)

(**) Term: **15 Years**

(21) Appl. No.: **35/506,243**

(22) Filed: **Jun. 19, 2018**

(80) **Hague Agreement Data**

Int. Filing Date: **Jun. 19, 2018**

Int. Reg. No.: **DM/102749**

Int. Reg. Date: **Jun. 19, 2018**

Int. Reg. Pub. Date: **Dec. 21, 2018**

(30) **Foreign Application Priority Data**

Dec. 22, 2017 (JP) 2017-028678

Dec. 22, 2017 (JP) 2017-028680

(51) **LOC (12) Cl.** **19-06**

(52) **U.S. Cl.**
USPC **D19/202**

(58) **Field of Classification Search**
USPC D19/115-204; D14/411
(Continued)

(56) **References Cited**

U.S. PATENT DOCUMENTS

2,193,396 A * 3/1940 Duffey B43K 29/185
101/22

D286,650 S * 11/1986 Fischer 401/6
(Continued)

Primary Examiner — Khawaja Anwar
(74) *Attorney, Agent, or Firm* — McGinn IP Law Group, PLLC

(57) **CLAIM**

The ornamental design for a sleeve with cushion spring for mechanical pencil, as shown and described.

DESCRIPTION

1.-2. Sleeve with cushion spring for mechanical pencil

1.1 : Perspective

1.2 : Front

1.3 : Top

1.4 : Right

1.5 : Left

1.6 : Cross-sectional

1.7 : Cross-sectional

1.8 : View showing state of use

1.9 : Enlarged view showing state of use

2.1 : Perspective

2.2 : Front

2.3 : Top

2.4 : Right

2.5 : Left

2.6 : Cross-sectional

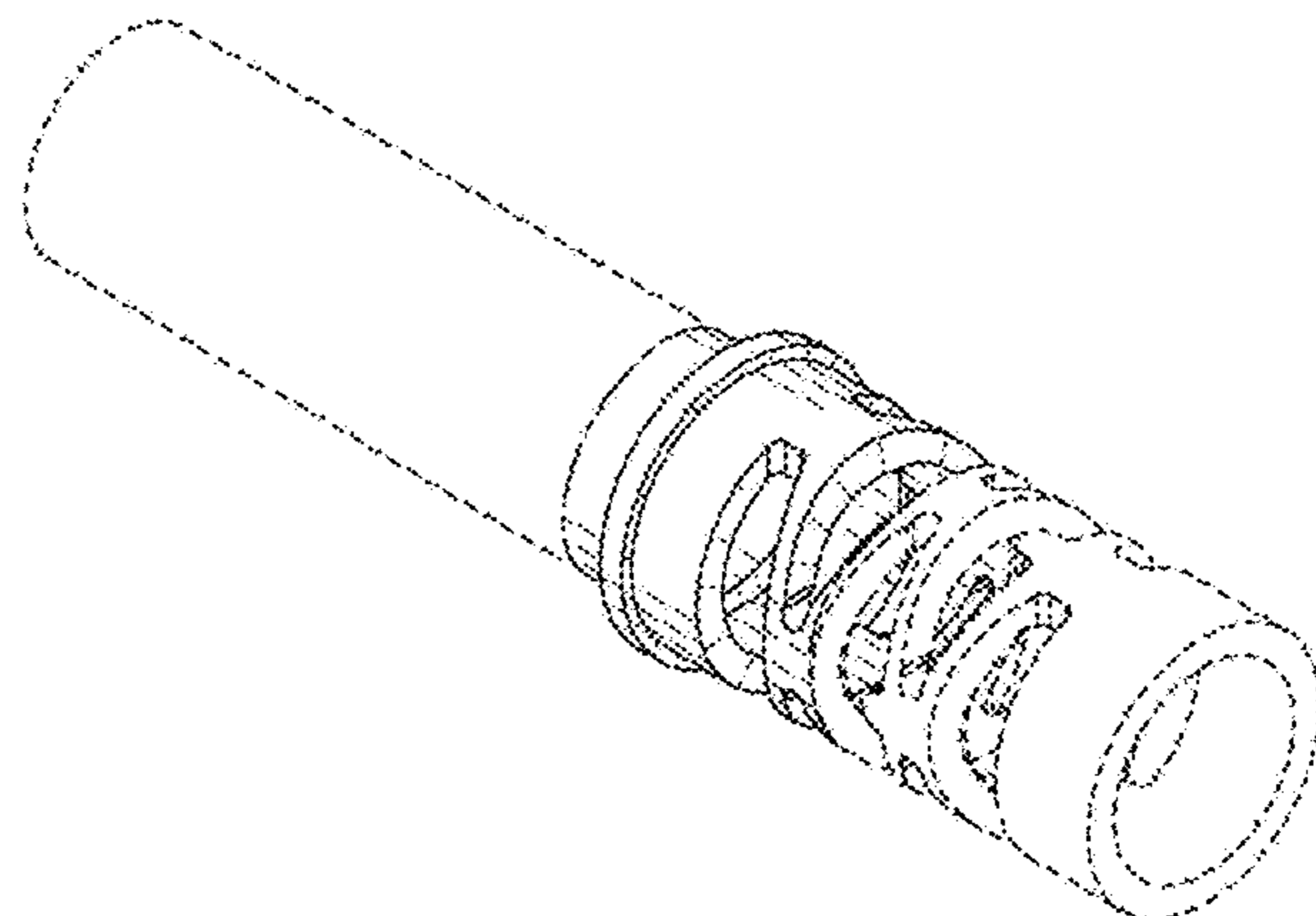
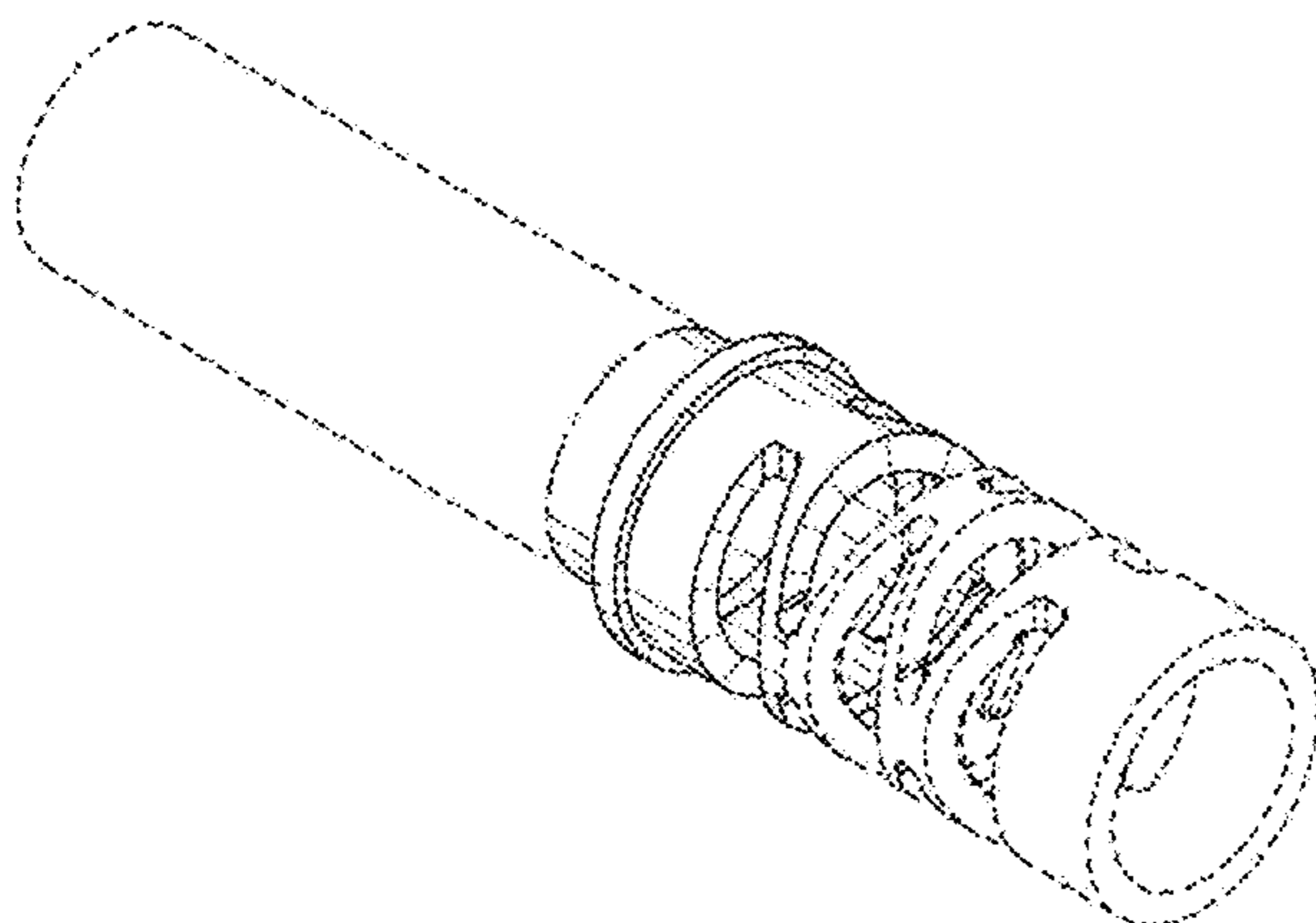
2.7 : Cross-sectional

2.8 : View showing state of use

2.9 : Enlarged view showing state of use

Each article is a sleeve formed with a cushion spring is disposed in a mechanical pencil; when a writing lead is loaded with a writing pressure, the cushion spring is compressed, and an excessive writing pressure is released to prevent the writing lead from breaking; parts shown by broken lines do not constitute a claimed design; thin lines represent contours showing shadows only, and do not represent ornamentations nor decorations; views 1.8, 1.9, 2.8 and 2.9 form no part of the claimed design; back views are omitted because they are mirror images of the front views; bottom views are omitted because they are identical to the top views; cross-sectional views 1.6, 1.7, 2.6, and 2.7 show the cross-sections of views 1.2, 1.3, 2.2 and 2.3, respectively.

1 Claim, 18 Drawing Sheets



(58) **Field of Classification Search**

CPC B43K 24/03; B43K 23/12; B43K 23/001;
G09B 5/04; G06F 3/03545

See application file for complete search history.

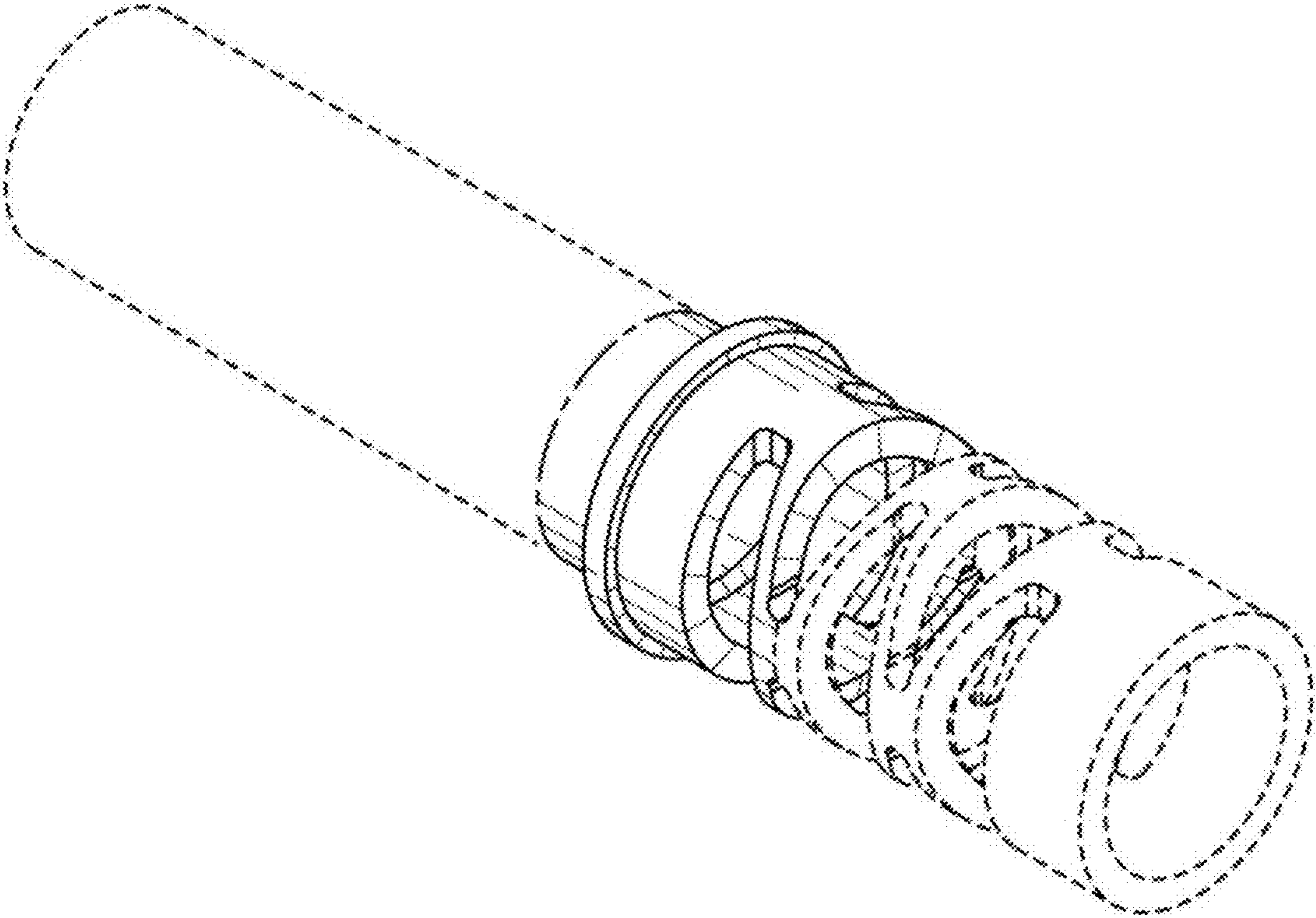
(56) **References Cited**

U.S. PATENT DOCUMENTS

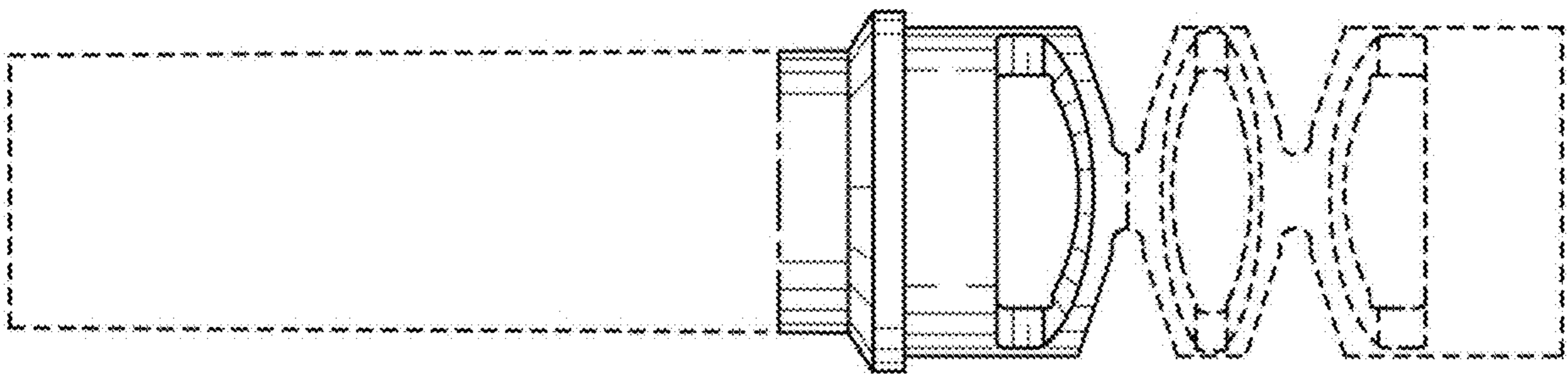
D359,986 S *	7/1995	Lehman	D19/100
D484,189 S *	12/2003	Dhesse	D19/197
D576,679 S *	9/2008	Briggl	D19/195
8,142,091 B2 *	3/2012	Sano	B43K 7/005 401/109
D809,603 S *	2/2018	Munson	D19/203
D843,452 S *	3/2019	Marshall	D19/203

* cited by examiner

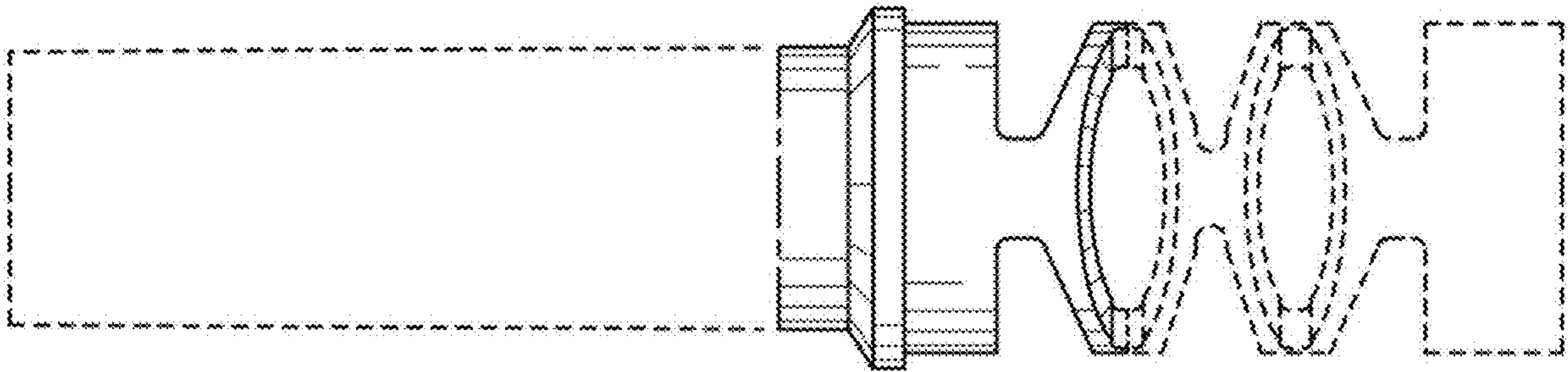
1.1



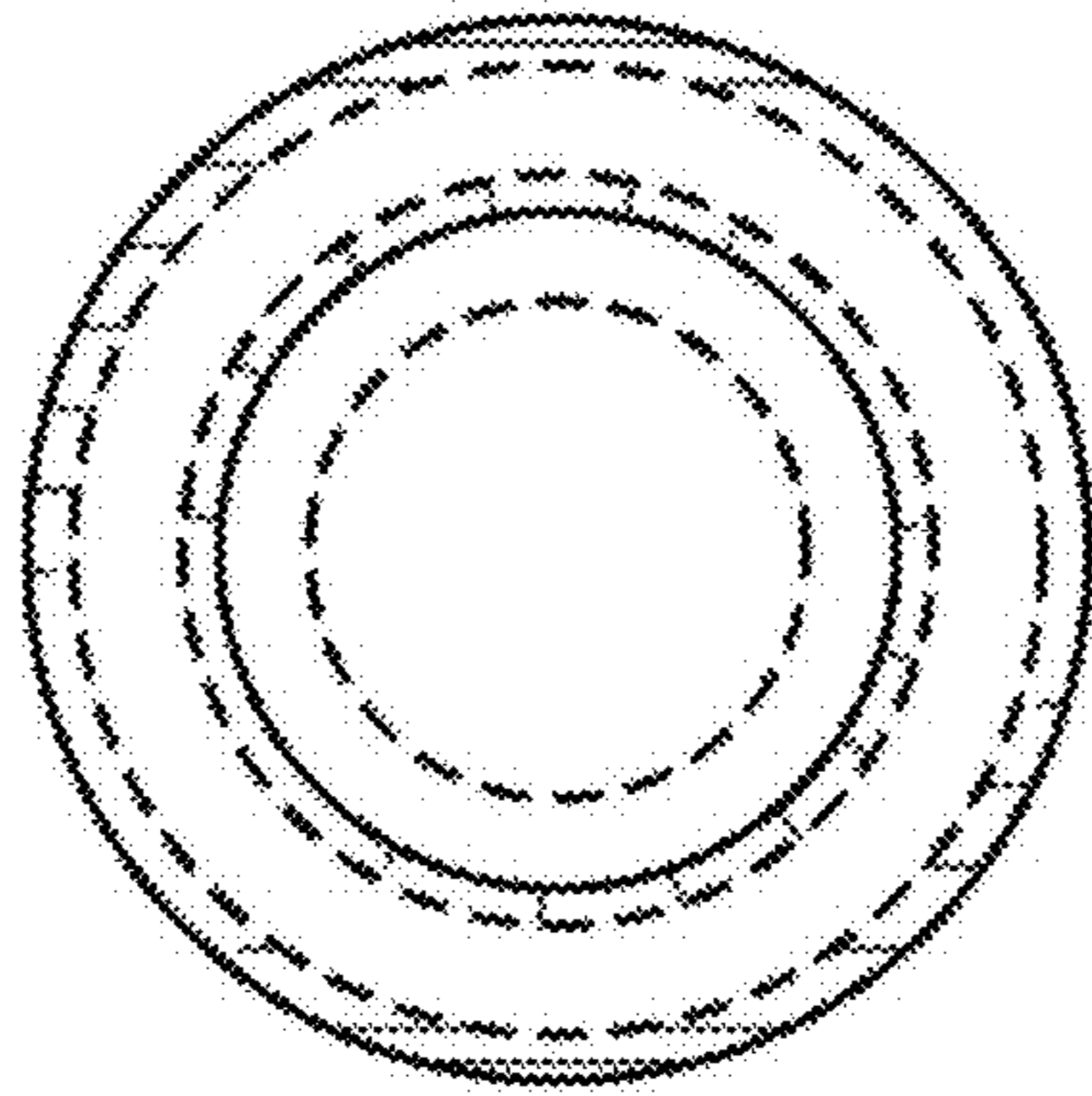
1.2



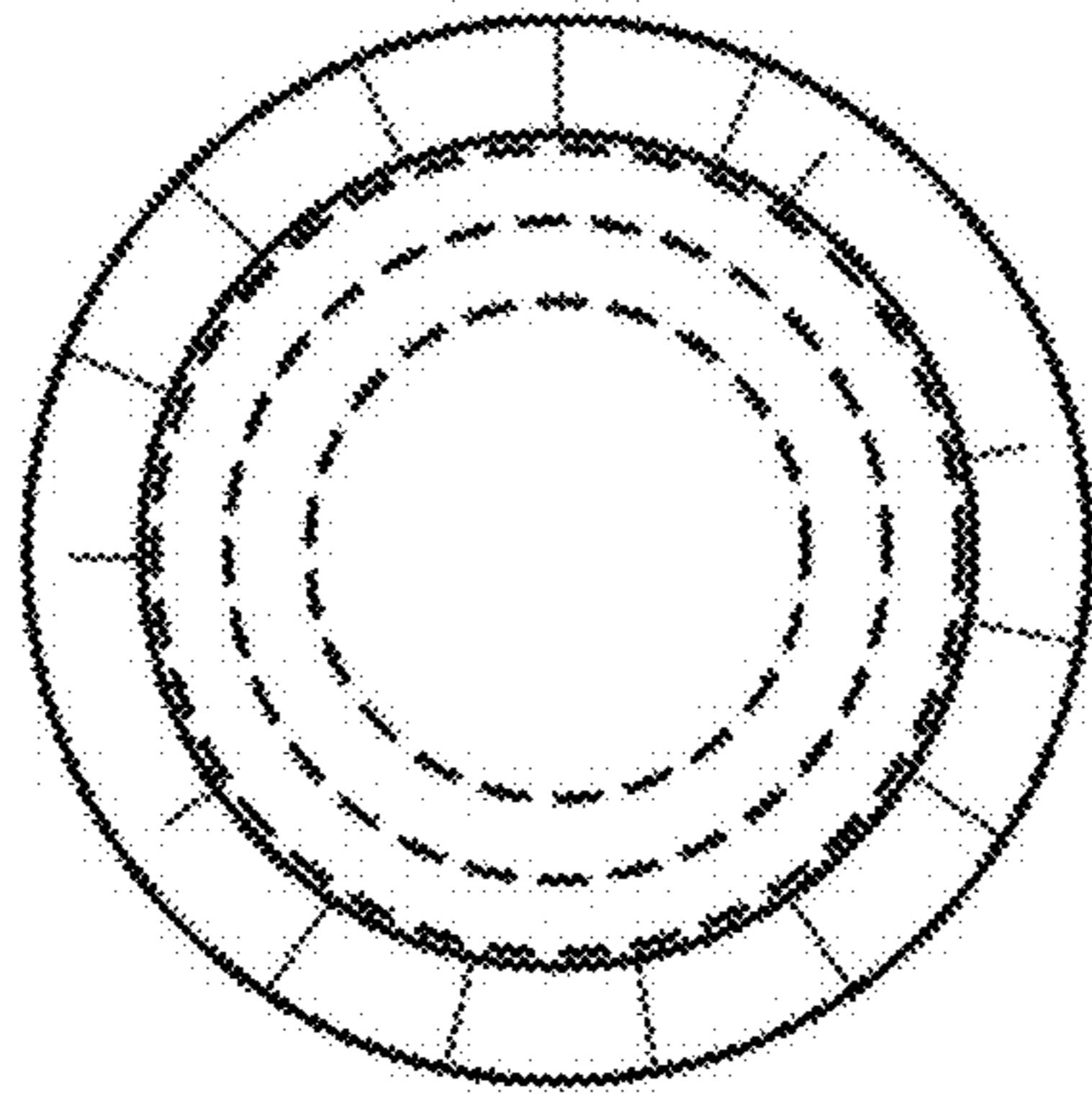
1.3



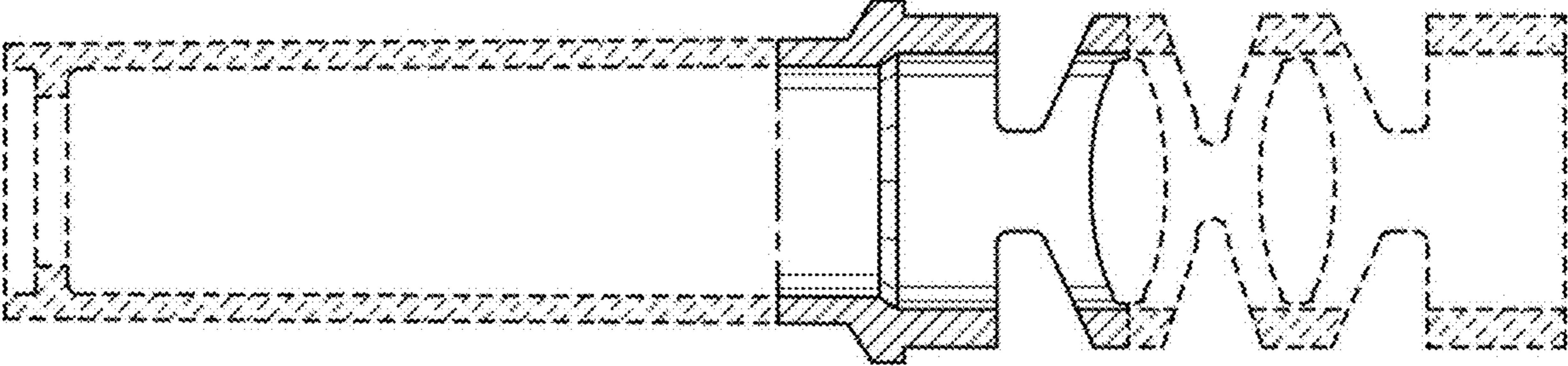
1.4



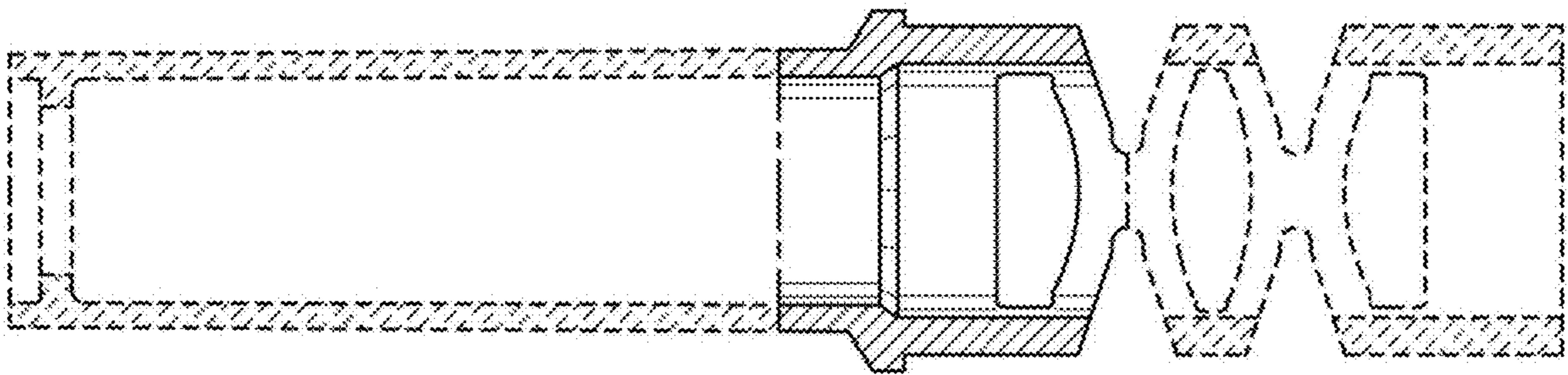
1.5



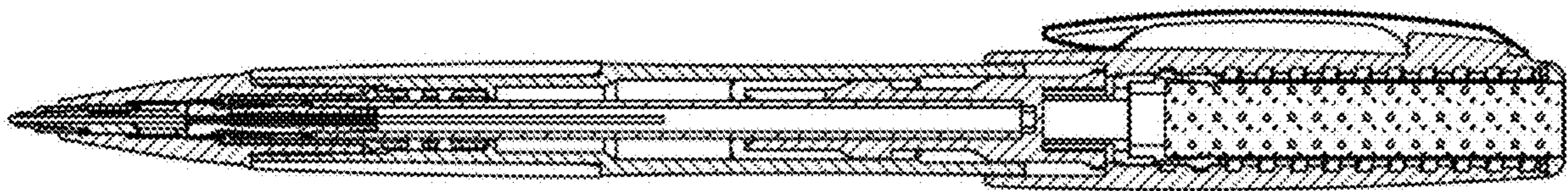
1.6



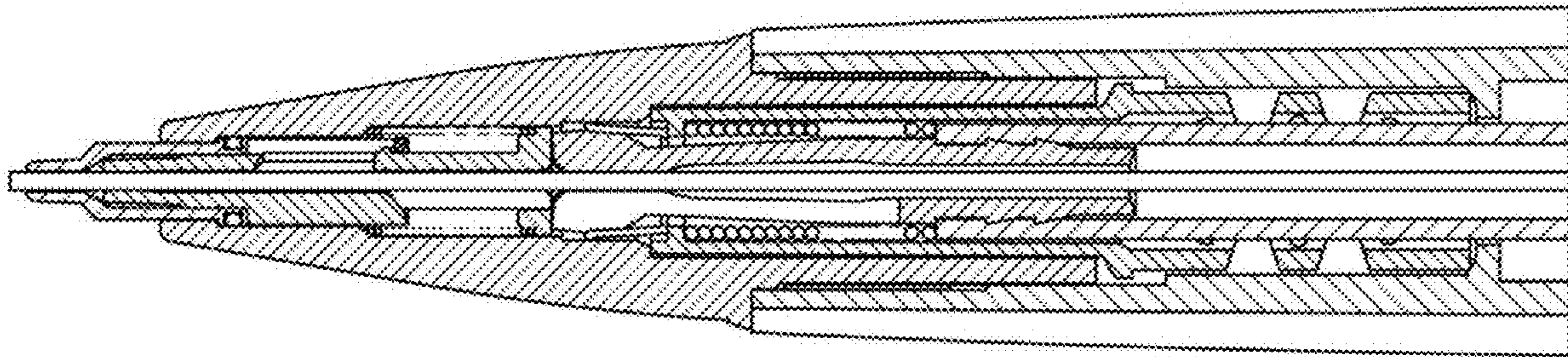
1.7



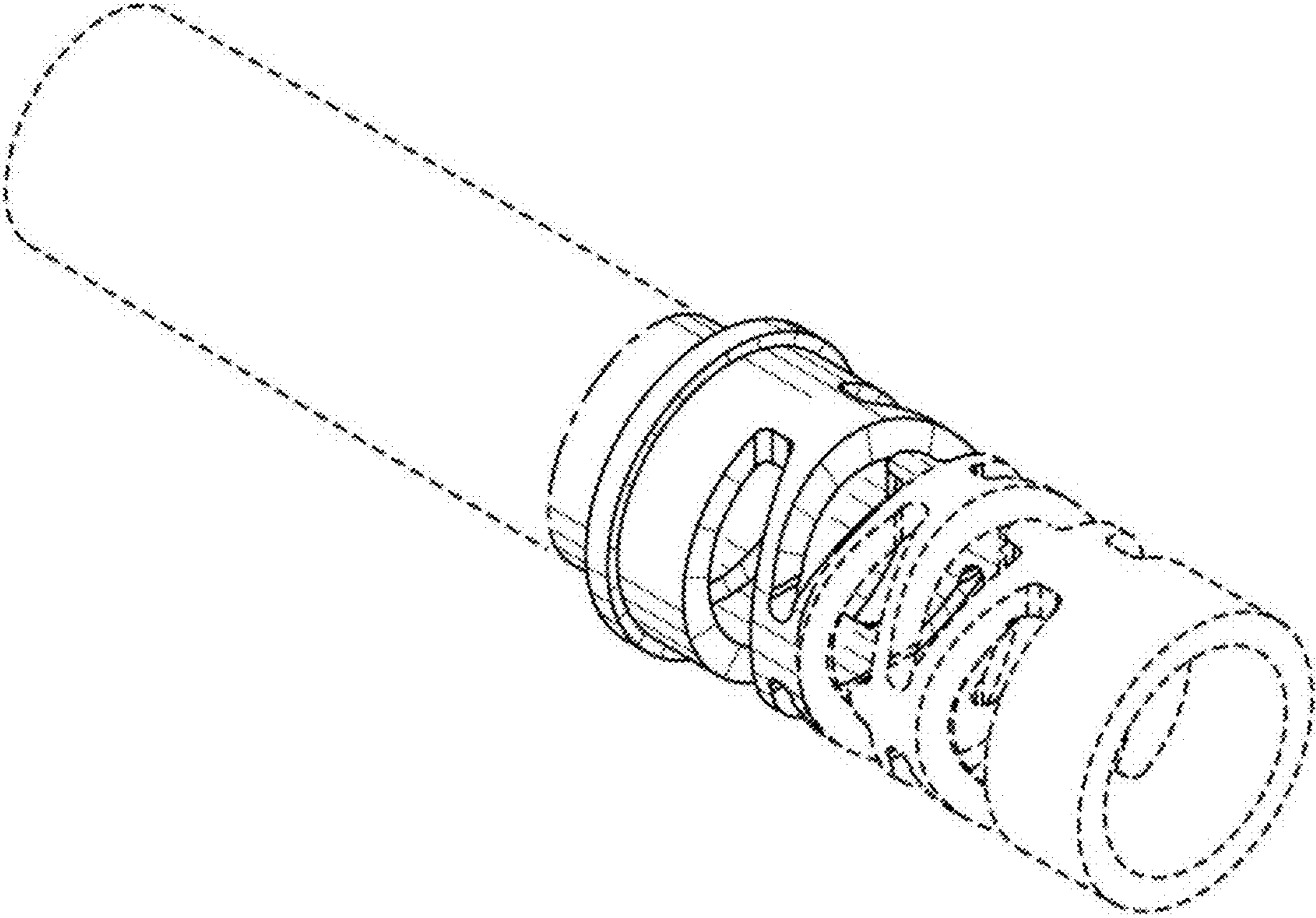
1.8



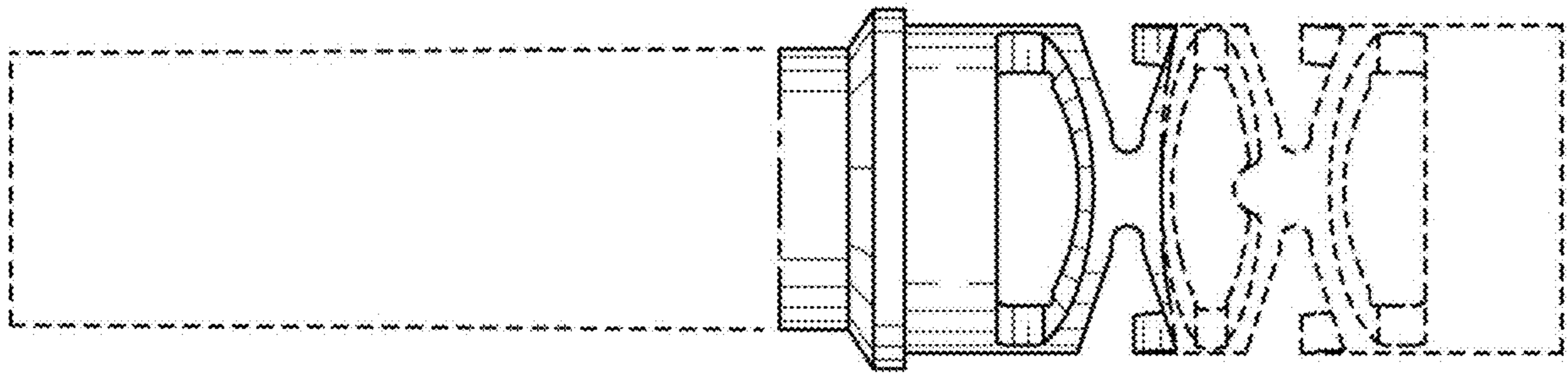
1.9



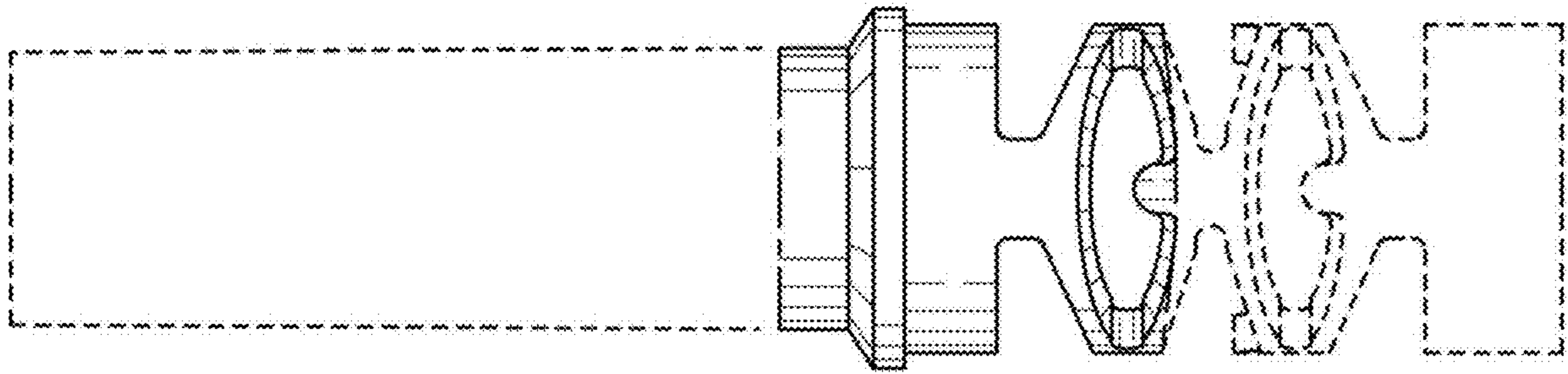
2.1



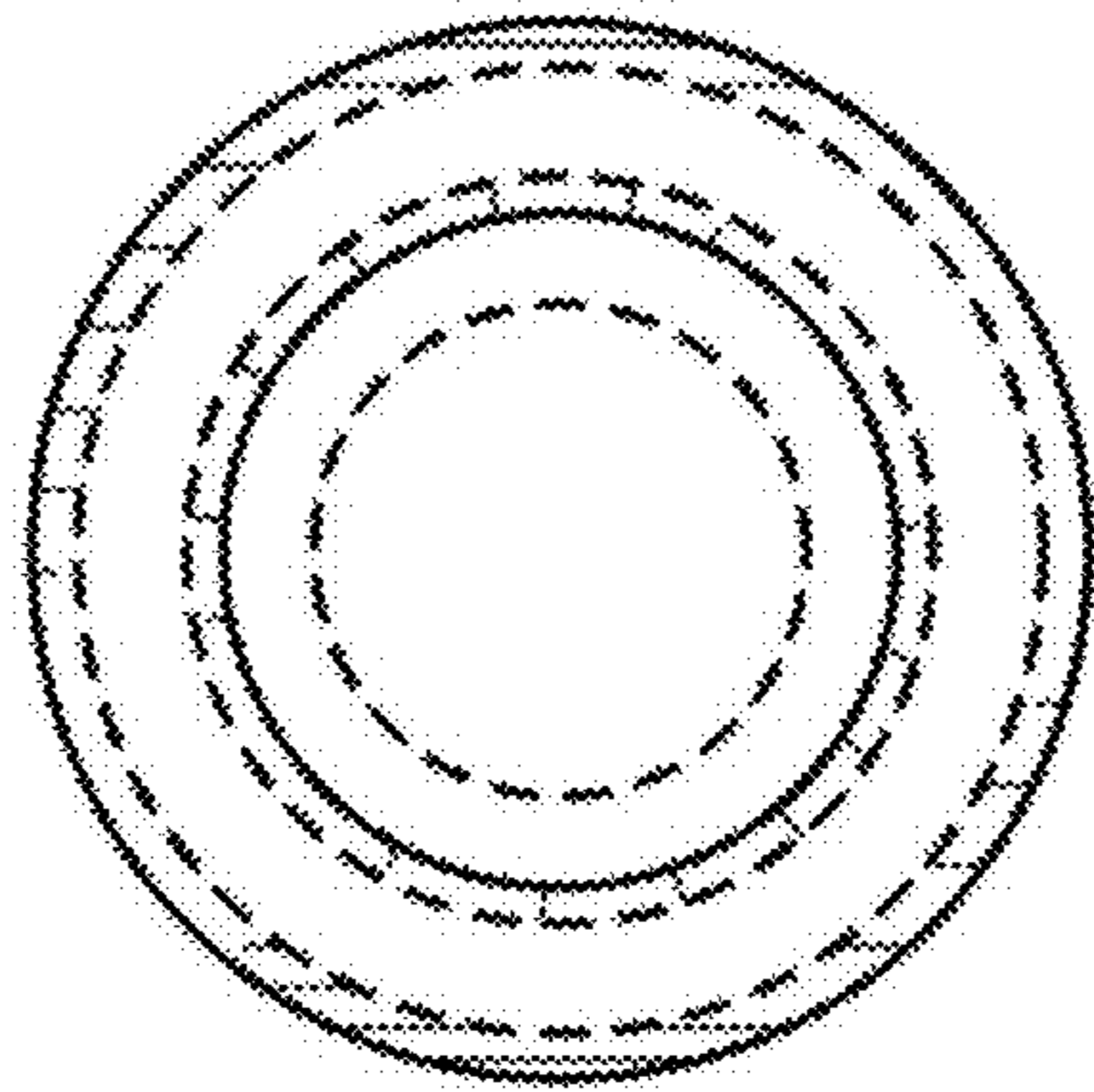
2.2



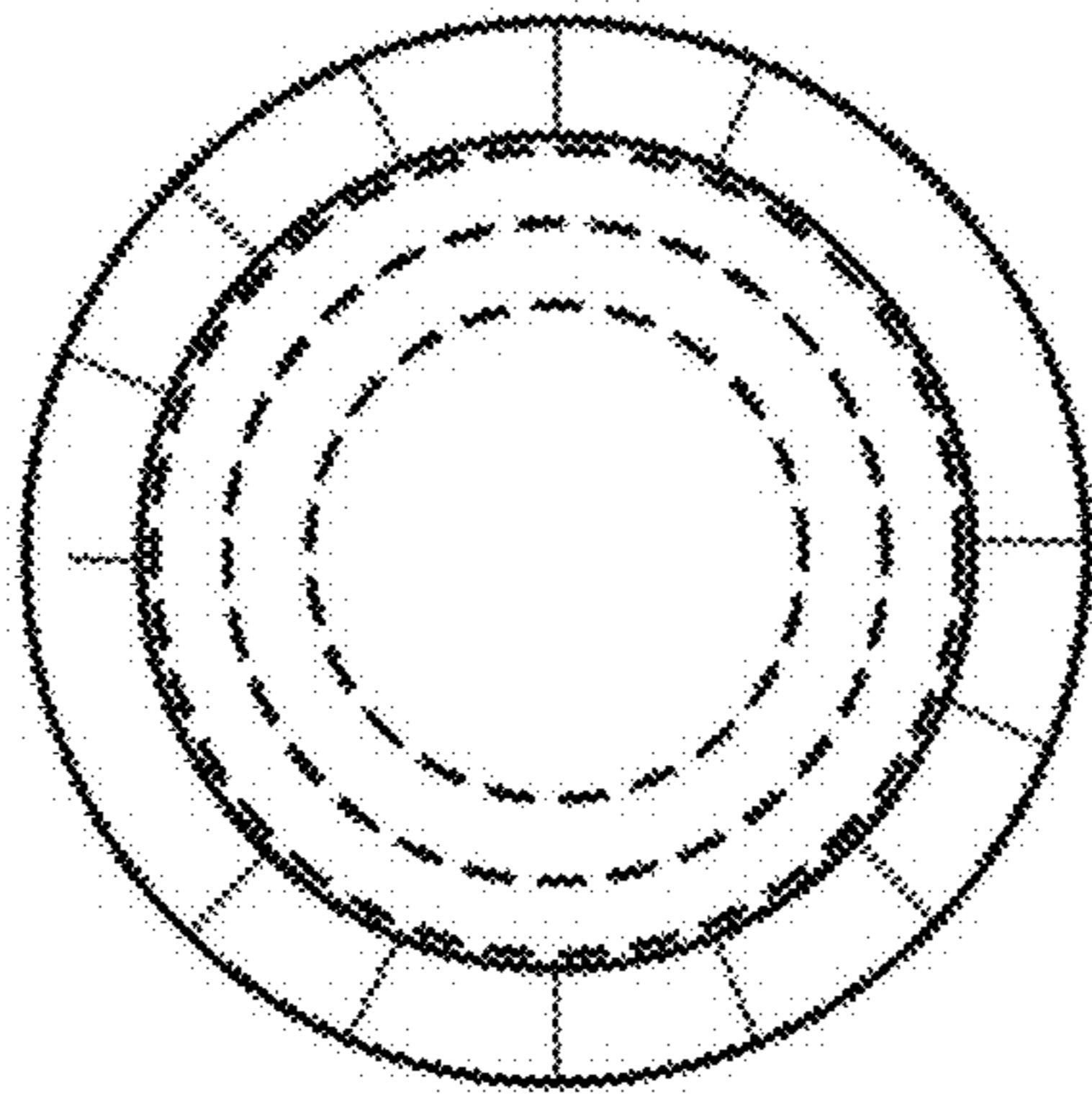
2.3



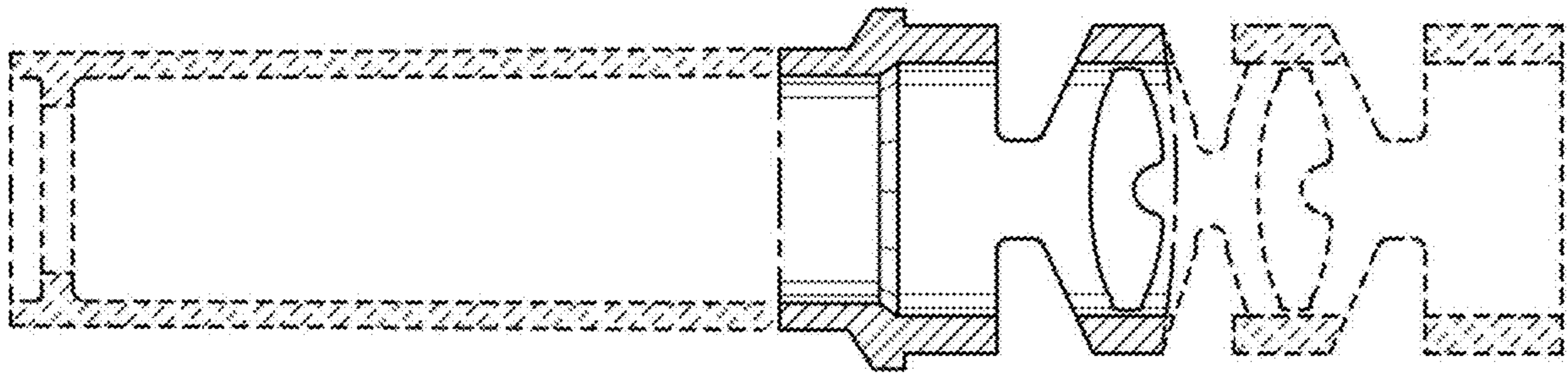
2.4



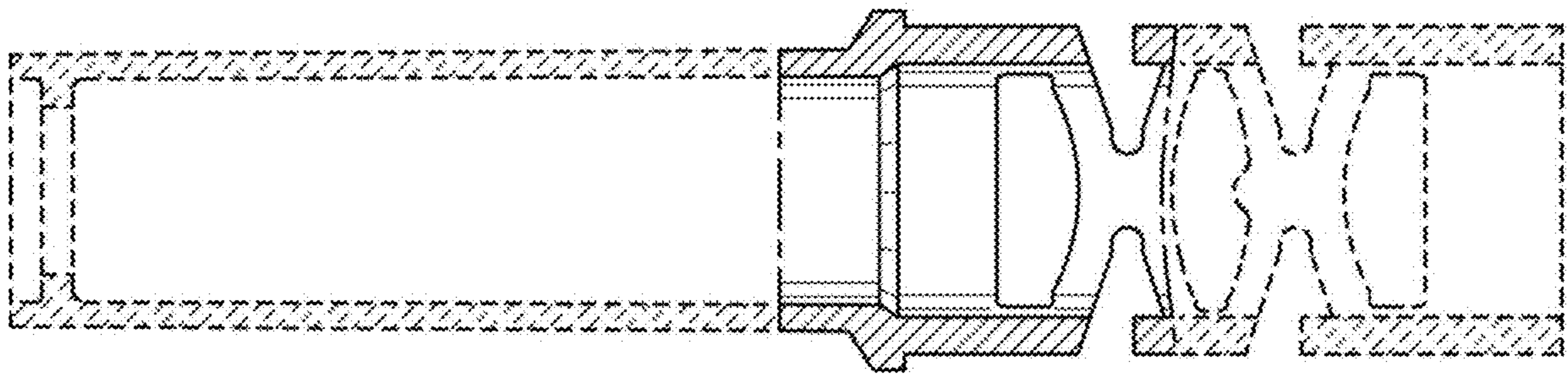
2.5



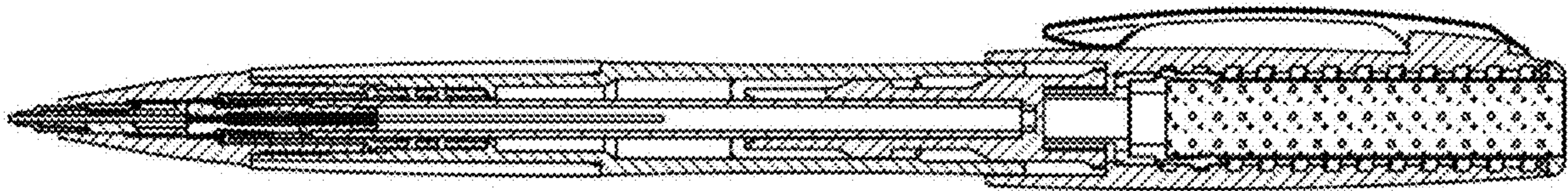
2.6



2.7



2.8



2.9

