



US00D871500S

(12) **United States Design Patent** (10) **Patent No.:** **US D871,500 S**
Balar (45) **Date of Patent:** **** *Dec. 31, 2019**

(54) **TABLETOP POINT-OF-SALE (POS) TERMINAL**

D477,084 S * 7/2003 Menezes D24/172
D494,176 S * 8/2004 Porter D14/336
D532,395 S * 11/2006 Rashid D14/126

(Continued)

(71) Applicant: **Tabletop Media LLC**, Dallas, TX (US)

(72) Inventor: **Viren R. Balar**, Allen, TX (US)

(73) Assignee: **Tabletop Media LLC**, Dallas, TX (US)

(*) Notice: This patent is subject to a terminal disclaimer.

(**) Term: **15 Years**

(21) Appl. No.: **29/592,457**

(22) Filed: **Jan. 30, 2017**

(51) **LOC (12) Cl.** **18-01**

(52) **U.S. Cl.**
USPC **D18/4.5; D18/4.6**

(58) **Field of Classification Search**

USPC D18/2, 4.1, 4.3, 4.4, 4.5, 4.6, 99;
D14/300, 301, 302, 303, 304, 307, 314,
D14/336, 339, 356, 357, 371, 374, 383,
D14/385, 386, 388, 421, 496, 129, 133,
D14/299, 900, 901, 902; D10/46, 49,
D10/104.1, 106.1, 106.95; D20/1, 10;
D99/34, 43; D24/177, 186
CPC .. G07G 1/00; G07G 1/12; G07G 1/14; G07G
1/0009; G07G 1/0018; G07F 7/0873;
G07F 7/088; G07F 7/0886; G06Q 20/00;
G06Q 20/08; G06Q 20/20; G06Q
30/0238

See application file for complete search history.

(56) **References Cited**

U.S. PATENT DOCUMENTS

D360,196 S * 7/1995 Cox D18/4.5
D396,217 S * 7/1998 Suzuki D14/336
D408,383 S * 4/1999 Carter D14/126
D440,565 S * 4/2001 Ono D14/375
D441,358 S * 5/2001 Chu D14/337
D450,693 S * 11/2001 Wang D14/337

OTHER PUBLICATIONS

Cloud POS Machine_CN 303895897. (Design—© Questel) orbit.com.[online PDF] 14 pgs. Print Date Oct. 19, 2016. [Retrieved on Apr. 23, 2019] <https://sobjprd.questel.fr/export/QPTUJ214/pdf2/9210df5e-5576-44c3-84c9-fbacb49ee502-184854.pdf>.*

(Continued)

Primary Examiner — Marie D. Fast Horse

(57) **CLAIM**

The ornamental design for a tabletop point-of-sale (POS) terminal, as shown and described.

DESCRIPTION

FIG. 1 is a front perspective view of the tabletop point-of-sale (POS) terminal according to the new design.

FIG. 2 is a front elevation view of the tabletop point-of-sale (POS) terminal.

FIG. 3 is a rear elevation view of the tabletop point-of-sale (POS) terminal.

FIG. 4 is a right side view of the tabletop point-of-sale (POS) terminal.

FIG. 5 is a left side view of the tabletop point-of-sale (POS) terminal.

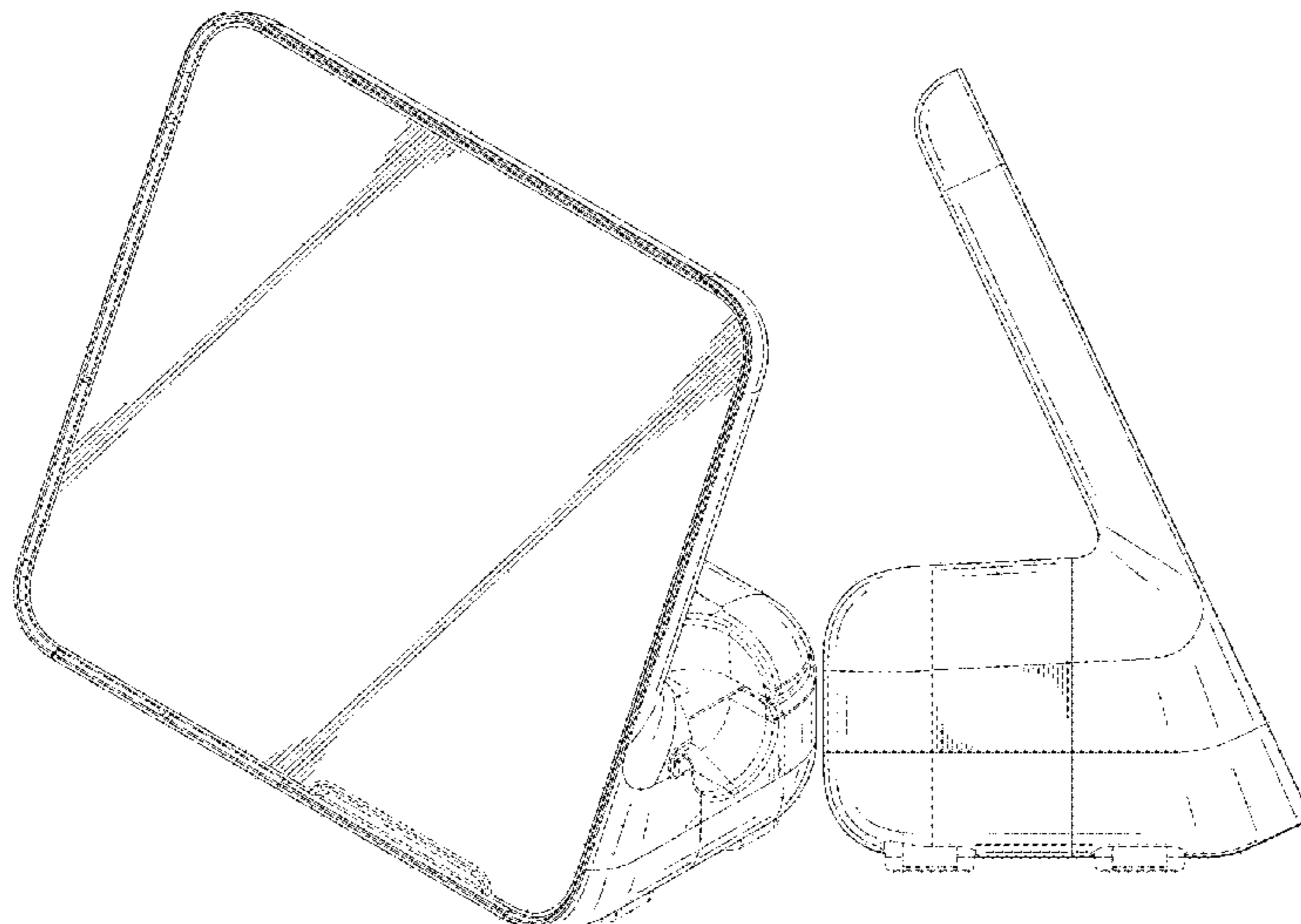
FIG. 6 is a top view of the tabletop point-of-sale (POS) terminal; and,

FIG. 7 is a bottom view of the tabletop point-of-sale (POS) terminal.

The broken lines in the drawings depict portions of the tabletop point-of-sale (POS) terminal that form no part of the claimed design.

The article in which the design is embodied is a user terminal for conducting tabletop point-of-sale (POS) terminal in a retail environment.

1 Claim, 6 Drawing Sheets



(56)

References Cited

U.S. PATENT DOCUMENTS

D533,857 S * 12/2006 Bradley D14/126
 D541,238 S * 4/2007 Smith D14/126
 D545,782 S * 7/2007 Schiller D14/126
 D563,405 S * 3/2008 Taniho D14/336
 D600,689 S * 9/2009 Jen D14/300
 D608,547 S * 1/2010 Peng D6/310
 D621,511 S * 8/2010 Lathrop D24/167
 D654,450 S * 2/2012 McManigal D14/126
 D661,266 S * 6/2012 Laube D14/126
 D661,671 S * 6/2012 Laube D14/126
 D671,542 S * 11/2012 Siekmann D14/422
 D686,654 S * 7/2013 Kim D18/4.6
 D687,484 S * 8/2013 Eun D18/4.6
 D691,818 S * 10/2013 Shibata D6/308
 D693,314 S * 11/2013 McKeage D13/162
 D693,607 S * 11/2013 Johnson D6/672
 D699,356 S * 2/2014 Patil D24/164
 D702,658 S * 4/2014 Kim D14/126
 D707,685 S * 6/2014 Johnson D14/447
 D711,870 S * 8/2014 Johnson D14/307
 D712,396 S * 9/2014 Johnson D14/307
 D713,447 S * 9/2014 Balar D18/4.6
 D717,785 S * 11/2014 Winston D14/307
 D729,232 S * 5/2015 Wu D14/341
 D739,031 S * 9/2015 Golden D24/186
 D749,564 S * 2/2016 Cho D14/341
 D755,783 S * 5/2016 Shi D14/336
 D759,748 S * 6/2016 Beatty D18/14
 D763,346 S * 8/2016 Jenkins D18/4.5
 D767,508 S * 9/2016 Dimberg D13/168
 D771,139 S * 11/2016 Poulheim D14/203.3
 D771,180 S * 11/2016 Jenkins D18/4.5

D772,335 S * 11/2016 Mantrawadi D18/4.6
 D773,455 S * 12/2016 Lee D14/341
 D778,982 S * 2/2017 Beatty D18/4.5
 D784,270 S * 4/2017 Bhattacharya D13/162
 D791,860 S * 7/2017 Greaves D18/4.5
 D794,580 S * 8/2017 Dimberg D13/168
 D798,378 S * 9/2017 Kim D18/4.6
 D806,698 S * 1/2018 Thompson D14/307
 D811,383 S * 2/2018 Diasabeygunawardena
 D14/336
 D811,384 S * 2/2018 Diasabeygunawardena
 D14/336
 D816,077 S * 4/2018 Benic D14/307
 D822,214 S * 7/2018 Iles D24/186
 D829,273 S * 9/2018 Campanini D18/4.5
 D844,010 S * 3/2019 Owens D14/434
 D857,007 S * 8/2019 Pitallano D14/307
 2009/0021797 A1 * 1/2009 Luciano H04N 1/00238
 358/474
 2013/0262248 A1 * 10/2013 Kim G07G 1/0018
 705/17
 2013/0320177 A1 * 12/2013 Chen F16M 11/10
 248/371
 2016/0335037 A1 * 11/2016 Baranowski G07G 1/0018

OTHER PUBLICATIONS

Point-of-Sale Terminals. (Design—© Questel) orbit.com. [online PDF] 12 pgs. Print Dates range Feb. 28, 2018 through Dec. 12, 2018. [Retrieved on Aug. 28, 2019] <https://sobjprd.questel.fr/export/QPTUJ214/pdf2/81ce964d-1b05-4321-bd8d-d2d4ee9d0321-211050.pdf>.*

* cited by examiner

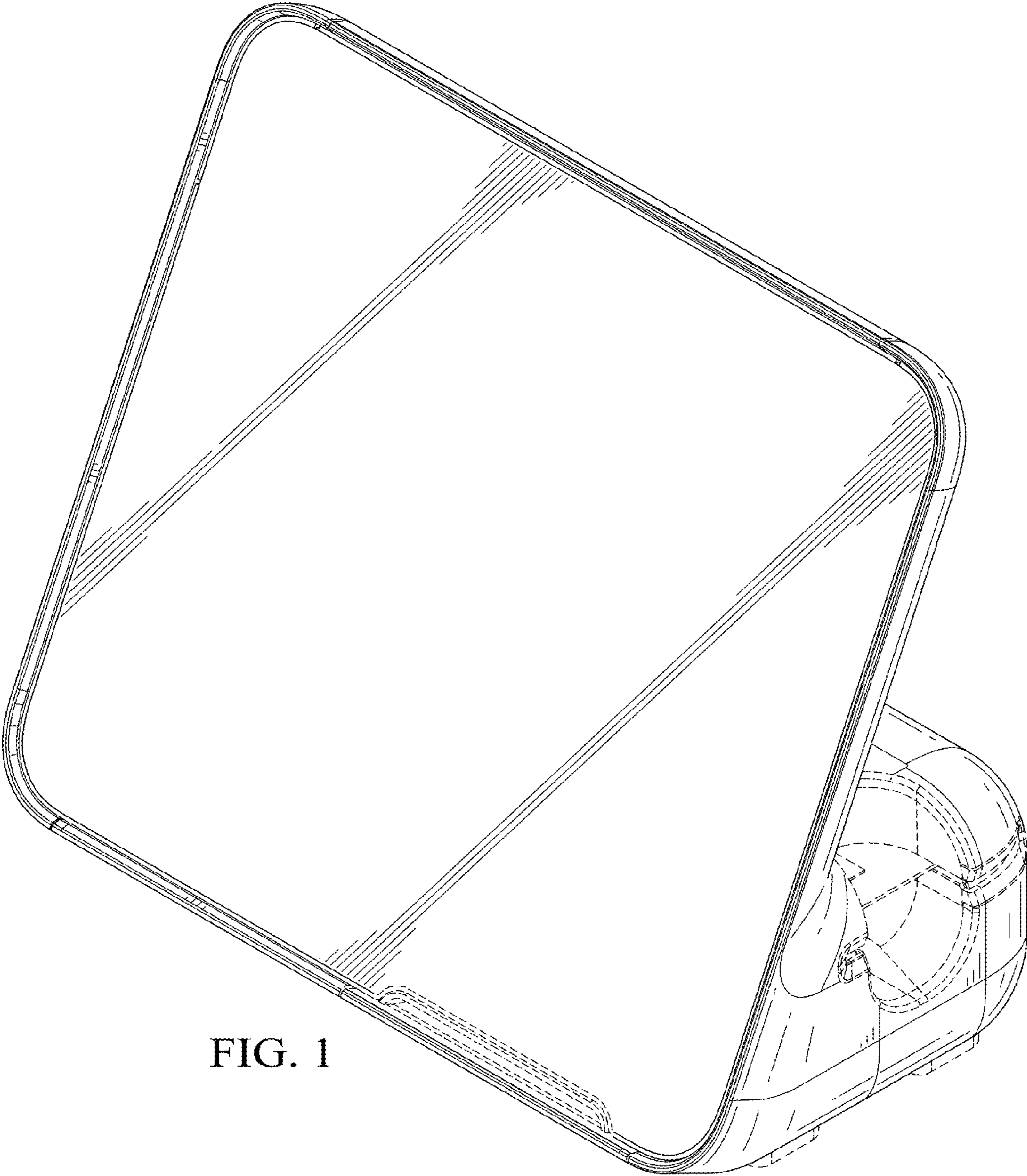


FIG. 1

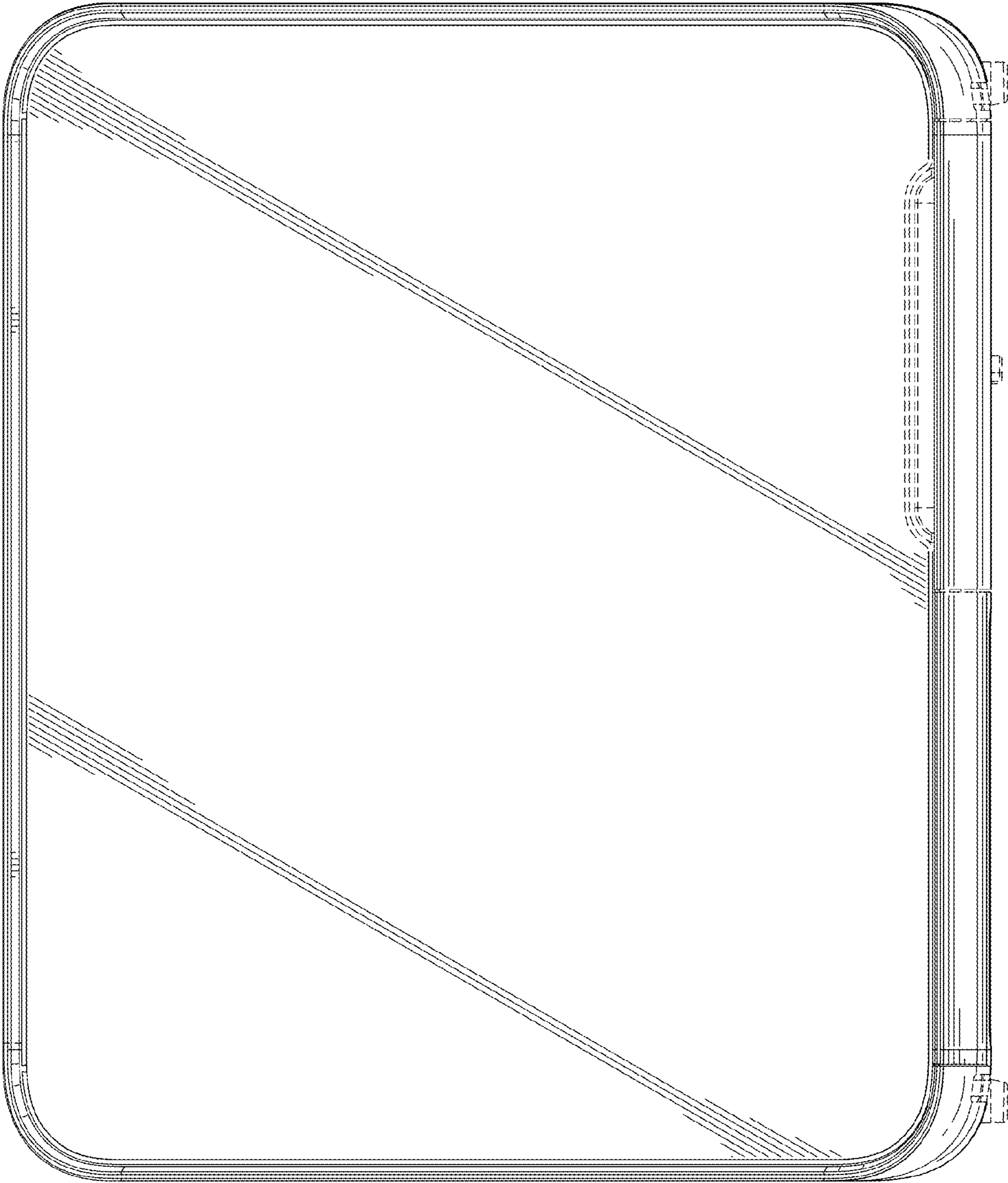


FIG. 2

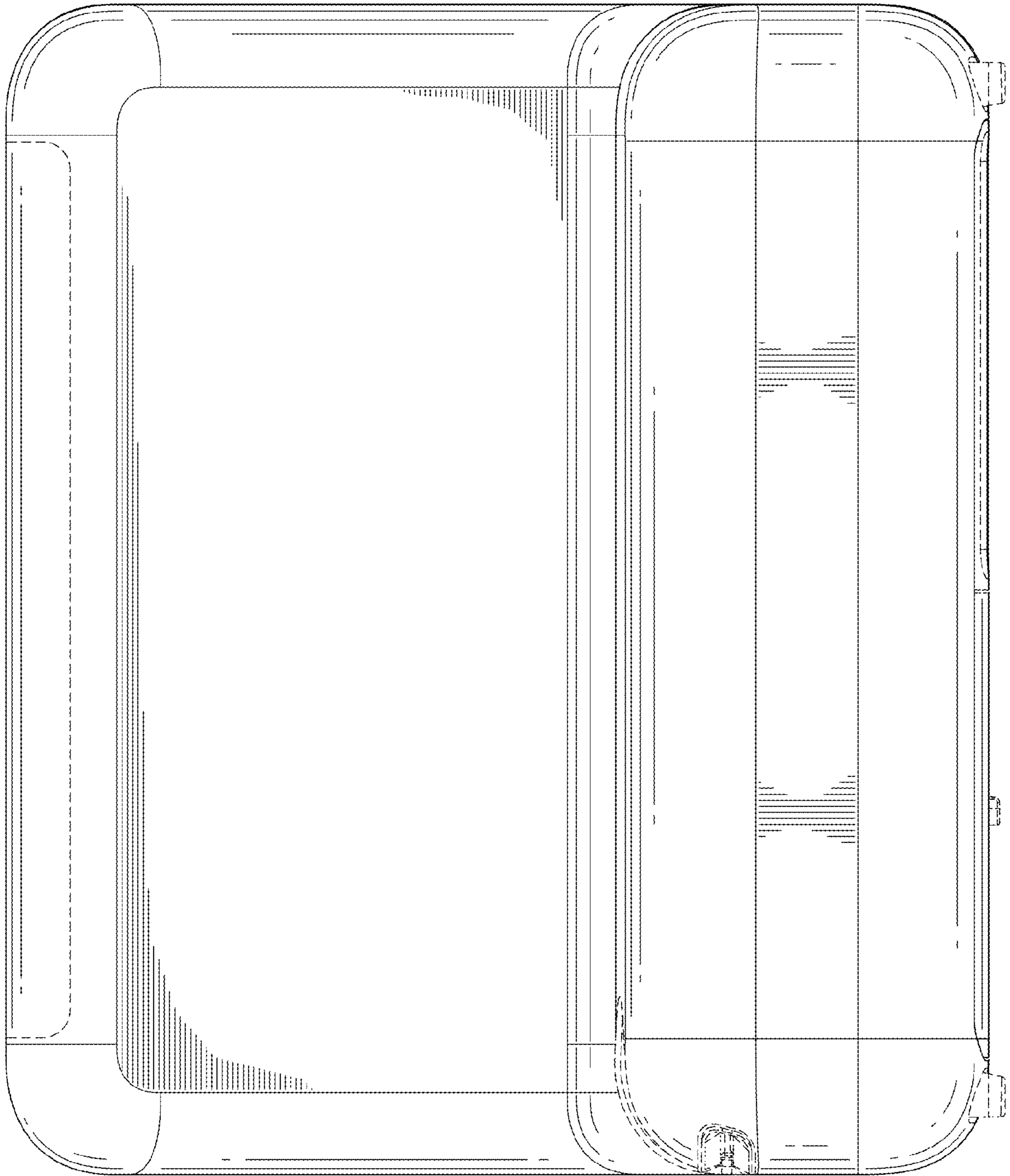


FIG. 3

FIG. 5

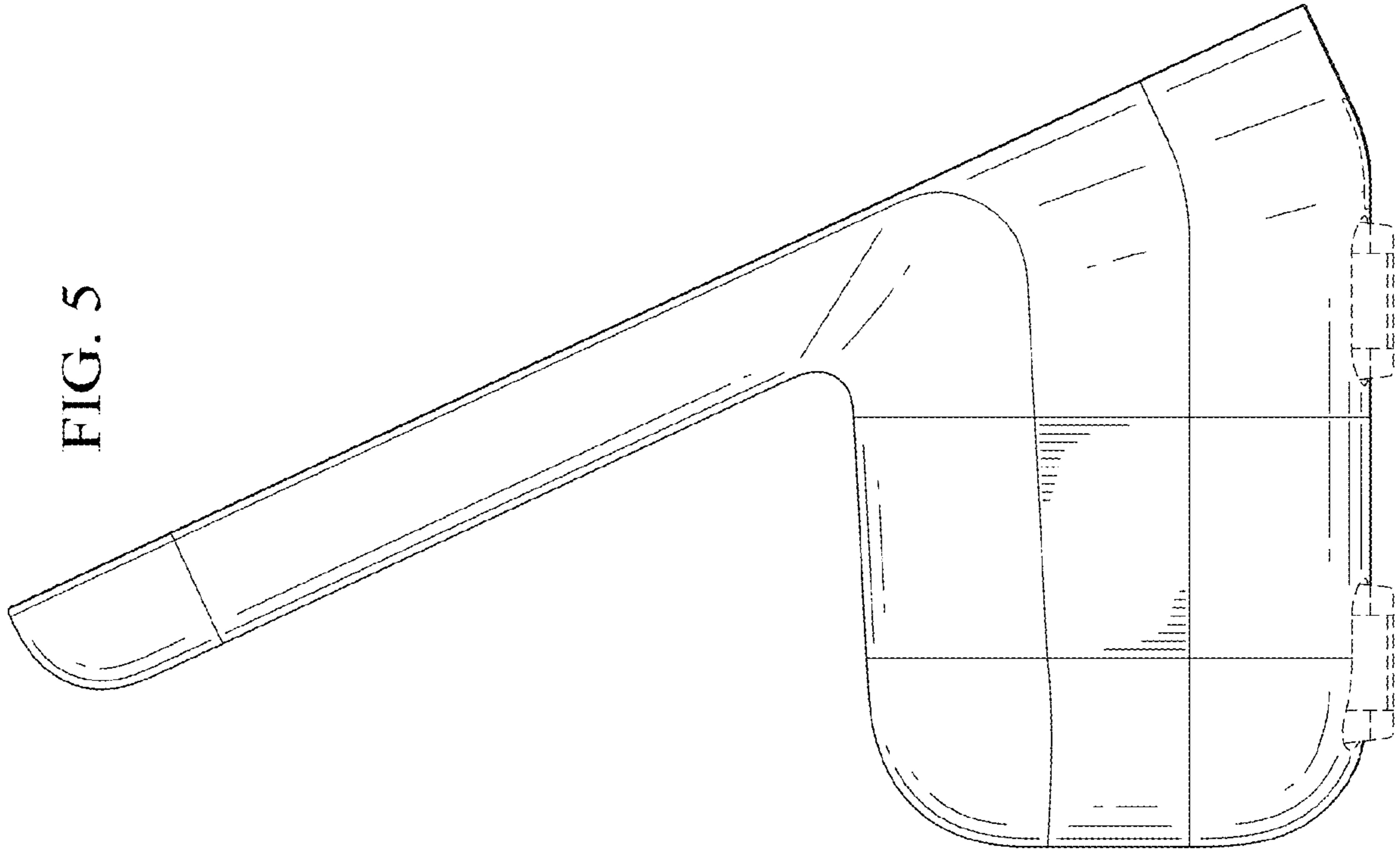
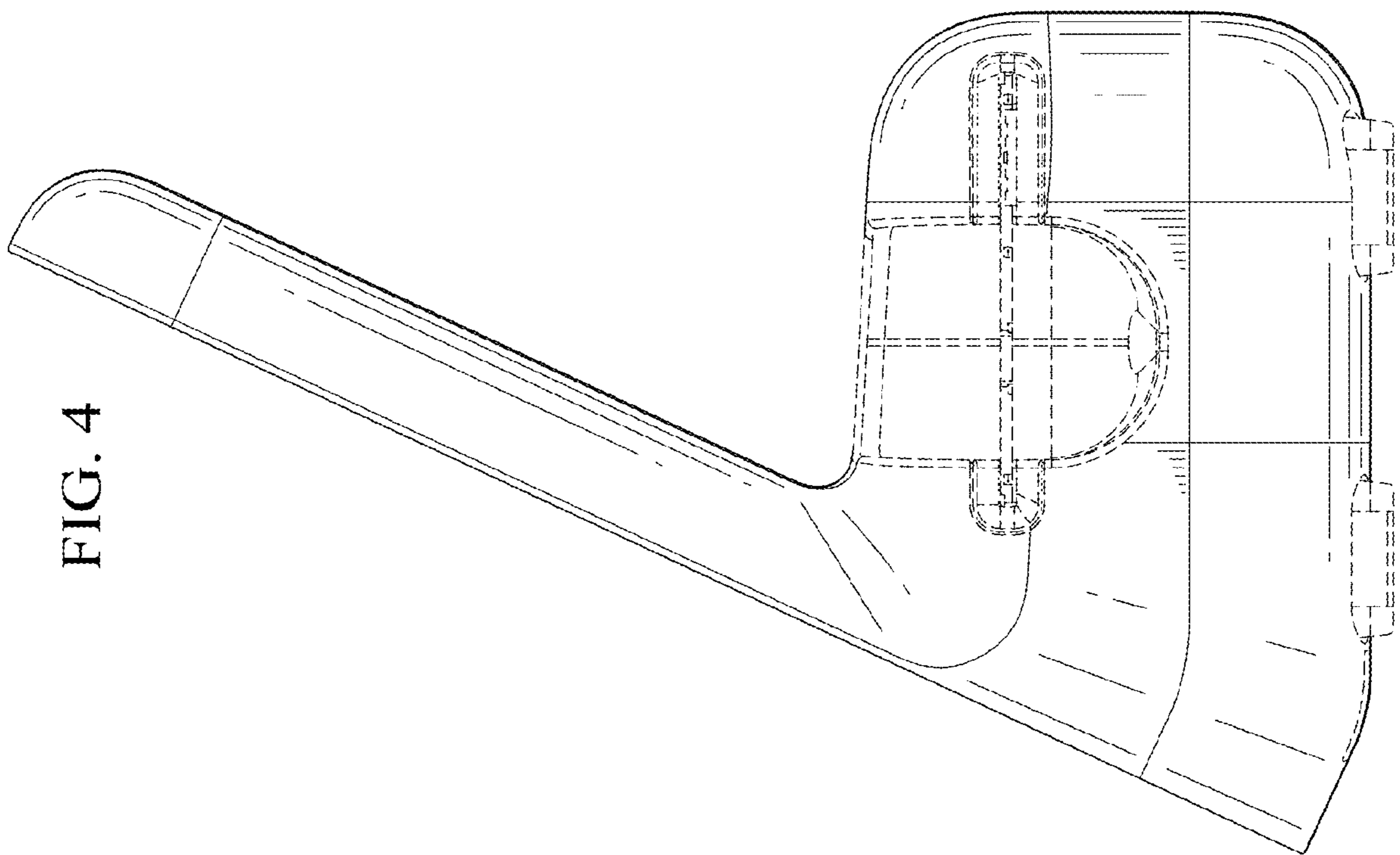


FIG. 4



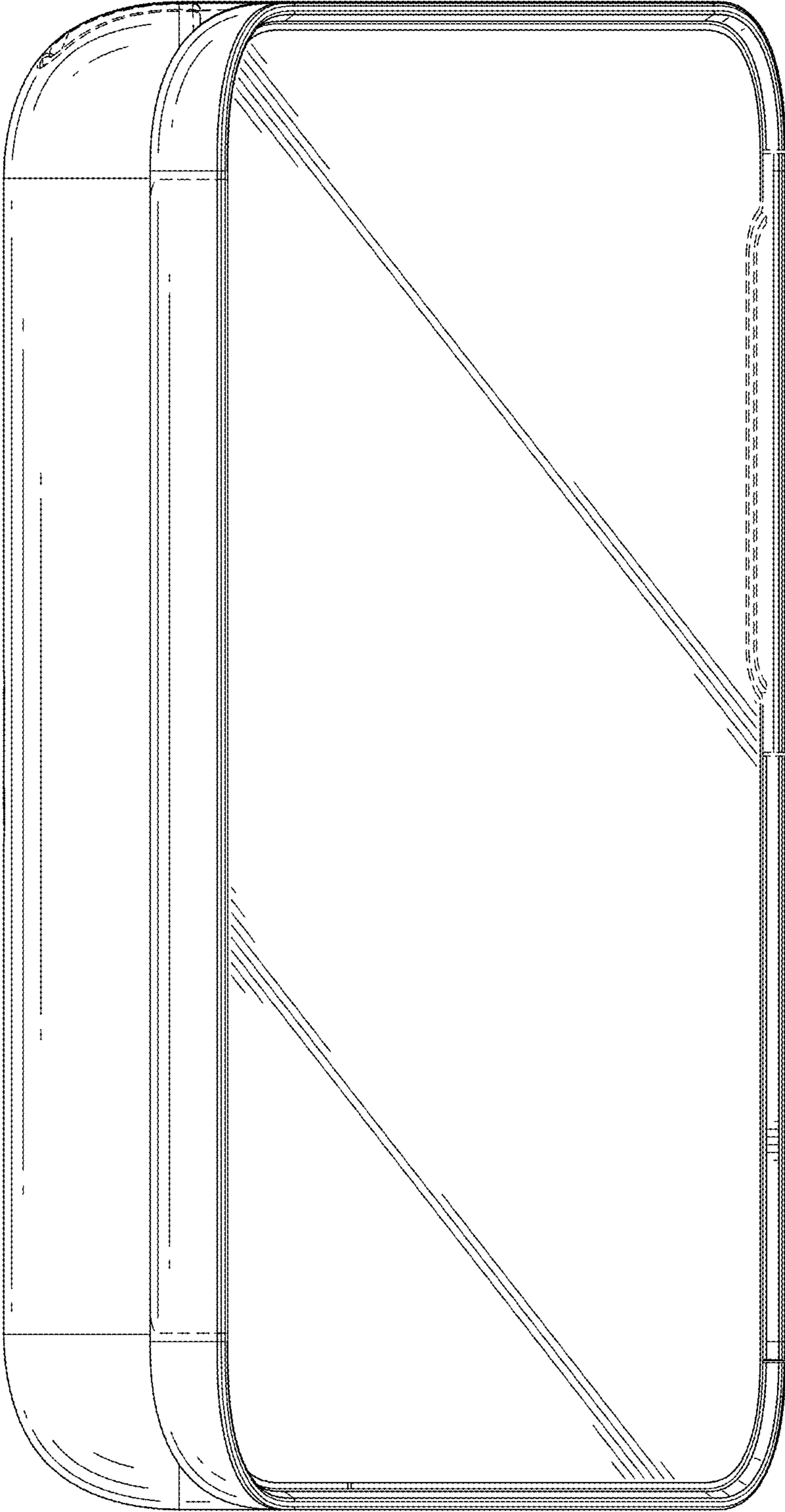


FIG. 6

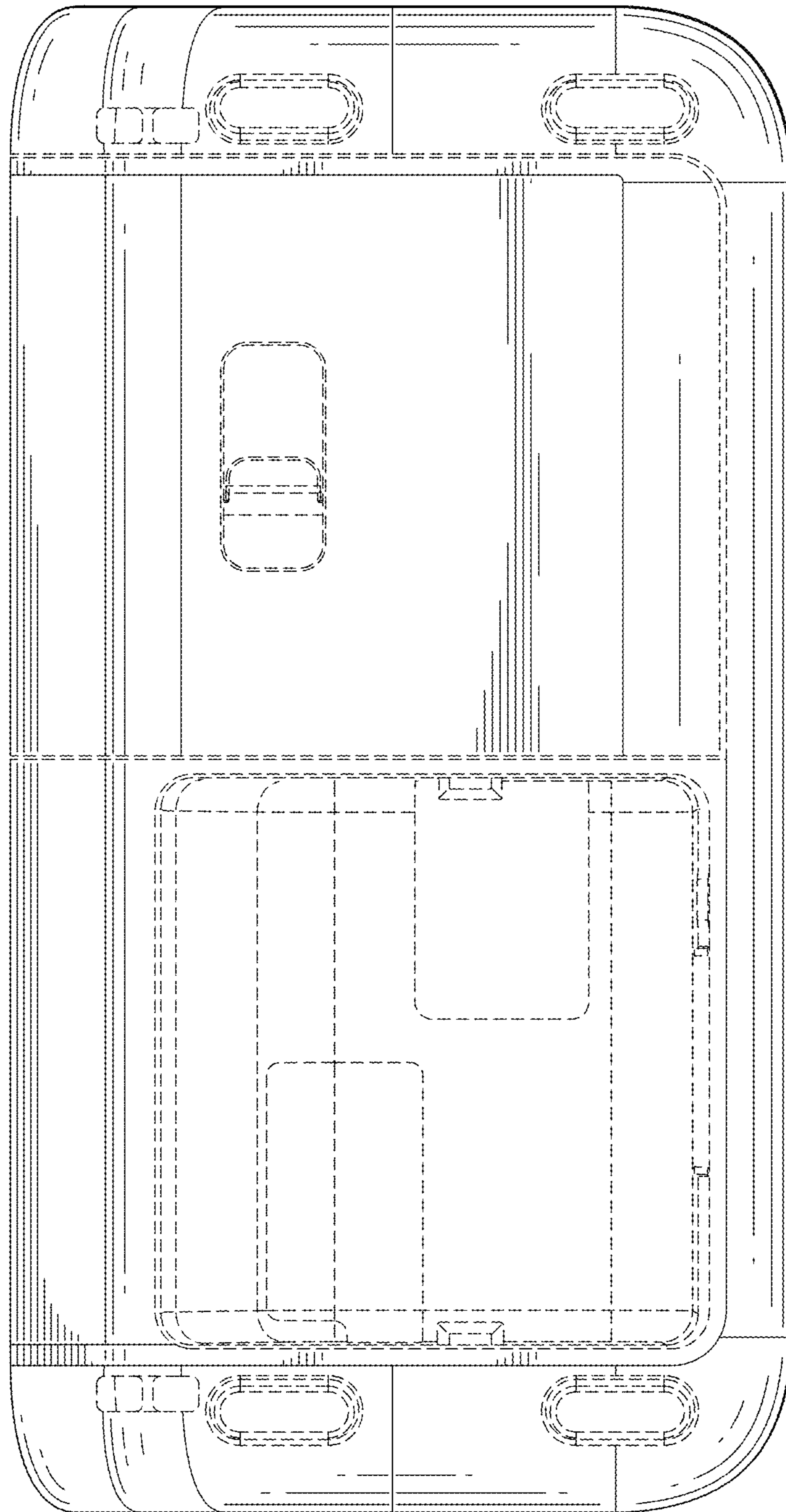


FIG. 7