



US00D871499S

(12) **United States Design Patent**  
**Kuroda et al.**

(10) **Patent No.:** **US D871,499 S**

(45) **Date of Patent:** **\*\* Dec. 31, 2019**

(54) **BANKNOTE HANDLING MACHINE**

(71) Applicant: **GLORY LTD.**, Himeji-shi, Hyogo (JP)

(72) Inventors: **Takayuki Kuroda**, Hyogo (JP); **Aiko Sanda**, Hyogo (JP); **Kenta Takahashi**, Hyogo (JP)

(73) Assignee: **GLORY LTD.**, Himeji-shi, Hyogo (JP)

(\*\*) Term: **15 Years**

(21) Appl. No.: **29/628,084**

(22) Filed: **Dec. 1, 2017**

(30) **Foreign Application Priority Data**

Jun. 19, 2017 (JP) ..... 2017-013133

(51) **LOC (12) Cl.** ..... **18-01**

(52) **U.S. Cl.**  
USPC ..... **D18/3.3**; D99/28; D18/12.1

(58) **Field of Classification Search**  
USPC ... D18/3.3, 3.1, 3.2, 4.1, 4.4, 12, 12.1, 12.2, D18/12.3, 46, 47, 56, 59; D14/300, 301, D14/302, 303, 307, 308, 348, 349, 432, D14/439, 441, 448, 449, 462, 469, 471, D14/900, 901, 902; D10/96, 97; D99/28, 34, 35, 43, 99; D19/65, 86, 100, D19/95, 99; D20/1, 8, 9

CPC ..... G07G 1/00; G07G 1/0009; G07G 1/0036; G07G 1/10; G07G 1/12; G07D 7/00; G07D 7/04; G07D 9/008; G07D 11/00; G07D 11/009; G07D 11/0093; G07D 11/50; G07D 2207/00; G07D 2211/00

See application file for complete search history.

(56) **References Cited**

**U.S. PATENT DOCUMENTS**

D187,767 S \* 4/1960 Bacevius ..... D19/74  
D396,699 S \* 8/1998 Vackar ..... D14/349

D405,063 S \* 2/1999 Lee ..... D14/351  
D442,176 S \* 5/2001 Wolff ..... D14/349  
D445,108 S \* 7/2001 Lee ..... D14/349  
D445,419 S \* 7/2001 Lee ..... D14/349  
D448,773 S \* 10/2001 Massaro ..... D14/441  
D454,132 S \* 3/2002 Lord ..... D14/439  
D454,421 S \* 3/2002 Jeon ..... D18/3.3  
D464,964 S \* 10/2002 Chien ..... D14/349  
D502,704 S \* 3/2005 Cervantes ..... D14/349  
D510,736 S \* 10/2005 Chen ..... D14/300  
D518,481 S \* 4/2006 Chen ..... D14/349

(Continued)

**OTHER PUBLICATIONS**

FY2014 Creating Secure Societies \_ CSR Highlight \_ CSR \_ Glory Group. glory-request.com. (online) 2 pgs. FY2014. Feature 2015. [Retrieved on Jun. 24, 2019] [http://glory-request.com/csr/feature/2015/feature2015\\_02.html](http://glory-request.com/csr/feature/2015/feature2015_02.html).\*

(Continued)

*Primary Examiner* — Marie D. Fast Horse

(74) *Attorney, Agent, or Firm* — Renner Kenner Greive Bobak Taylor and Weber; Tim Hodgkiss; Edward Greive

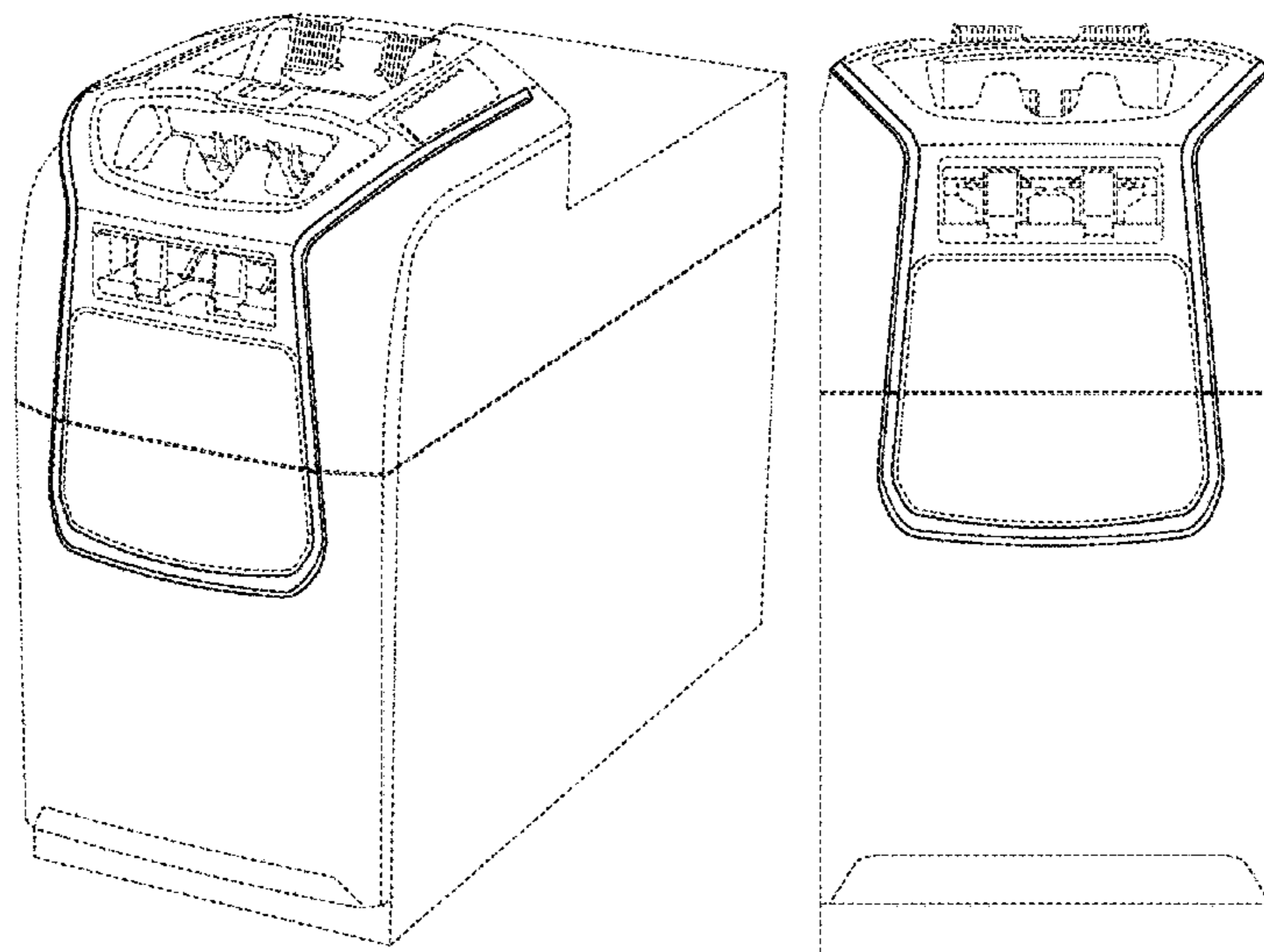
(57) **CLAIM**

The ornamental design for a banknote handling machine, as shown and described.

**DESCRIPTION**

FIG. 1 is a front, top, right side perspective view of a banknote handling machine showing our new design; FIG. 2 is a front elevational view thereof; FIG. 3 is a rear elevational view thereof; FIG. 4 is a left side elevational view thereof; FIG. 5 is a right side elevational view thereof; FIG. 6 is a top plan view thereof; and, FIG. 7 is a bottom plan view thereof. The broken lines in the drawings depict portions of the banknote handling machine that form no part of the claimed design.

**1 Claim, 7 Drawing Sheets**



(56)

References Cited

U.S. PATENT DOCUMENTS

D524,309 S \* 7/2006 Zhang ..... D14/349  
 D532,010 S \* 11/2006 Yu ..... D14/349  
 D534,705 S \* 1/2007 Kang ..... D99/28  
 D540,876 S \* 4/2007 Roekens ..... D20/8  
 D547,317 S \* 7/2007 Xin ..... D14/441  
 D551,233 S \* 9/2007 Deng ..... D14/441  
 D554,118 S \* 10/2007 Deng ..... D14/349  
 D574,417 S \* 8/2008 Gaze ..... D18/3.3  
 D574,418 S \* 8/2008 Gaze ..... D18/3.3  
 D574,419 S \* 8/2008 Gaze ..... D18/3.3  
 D574,420 S \* 8/2008 Gaze ..... D18/3.3  
 D574,421 S \* 8/2008 Gaze ..... D18/3.3  
 D574,422 S \* 8/2008 Gaze ..... D18/3.3  
 D579,481 S \* 10/2008 Gaze ..... D18/3.3  
 D579,482 S \* 10/2008 Gaze ..... D18/3.3  
 D581,419 S \* 11/2008 Johnson ..... D14/432  
 D585,447 S \* 1/2009 Chen ..... D14/349  
 D613,288 S \* 4/2010 Minehart ..... D14/349  
 D618,875 S \* 6/2010 Tougo ..... D18/3.3  
 8,251,198 B2 \* 8/2012 Zwieng ..... G07D 9/00  
 194/215  
 D671,164 S 11/2012 Bleck et al.  
 D695,833 S \* 12/2013 Alvarado ..... D20/1  
 D725,865 S \* 3/2015 Cho ..... D99/28  
 D727,427 S \* 4/2015 Alvarado ..... D20/8  
 D766,540 S \* 9/2016 Lee ..... D99/28  
 D774,722 S \* 12/2016 Yeon ..... D99/28  
 D776,399 S \* 1/2017 Yeon ..... D99/28  
 D782,148 S \* 3/2017 Rohan ..... D99/28  
 D794,015 S \* 8/2017 Probst ..... D14/349

D803,507 S \* 11/2017 Park ..... D99/28  
 2010/0181333 A1 \* 7/2010 Mizushima ..... G07D 11/24  
 221/1  
 2010/0303332 A1 \* 12/2010 Miki ..... G07D 11/50  
 382/135  
 2012/0012436 A1 \* 1/2012 Nakamoto ..... G07D 3/04  
 194/215  
 2013/0256987 A1 \* 10/2013 Miki ..... G07D 11/50  
 271/264  
 2016/0379433 A1 \* 12/2016 Lavigne ..... G07D 11/50  
 271/3.14  
 2017/0270737 A1 \* 9/2017 Sakamoto ..... G07D 11/50  
 2019/0122478 A1 \* 4/2019 Sanda ..... G07D 11/50  
 2019/0139350 A1 \* 5/2019 Kuroda ..... G07D 11/24

OTHER PUBLICATIONS

De La Rue Teller Cash Recycling Machine. idc.uk.com. (online) 3 pgs. [Retrieved on Jun. 24, 2019] <http://glory-https://www.idc.uk.com/industrial/case-studies/teller-cash-recycling-machine/>. \*  
 Z1 / Z1HR(Laurel\_img\_Z1-thumb-442x332-786) Ibm.co.jp. (online) 1 pg. [Retrieved on Jun. 26, 2019] [https://www.Ibm.co.jp/en/products/teller\\_cash-recycler/IMG URL: https://www.Ibm.co.jp/en/products/assets\\_c/2017/12/img\\_Z1-thumb-442x332-786.png](https://www.Ibm.co.jp/en/products/teller_cash-recycler/IMG_URL:https://www.Ibm.co.jp/en/products/assets_c/2017/12/img_Z1-thumb-442x332-786.png). \*  
 Automatic teller machines and Banknote processing machines. (Design -© Questel) orbit.com. [online PDF] 27 pgs. Print Dates range Aug. 26, 2009 through Nov. 23, 2018. [Retrieved on Jun. 26, 2019] <https://sobjprd.questel.fr/export/QPTUJ214/pdf2/0e5766cc-001f-45f5-8367-7b8d9dbaff04-011245.pdf>. \*

\* cited by examiner

FIG. 1

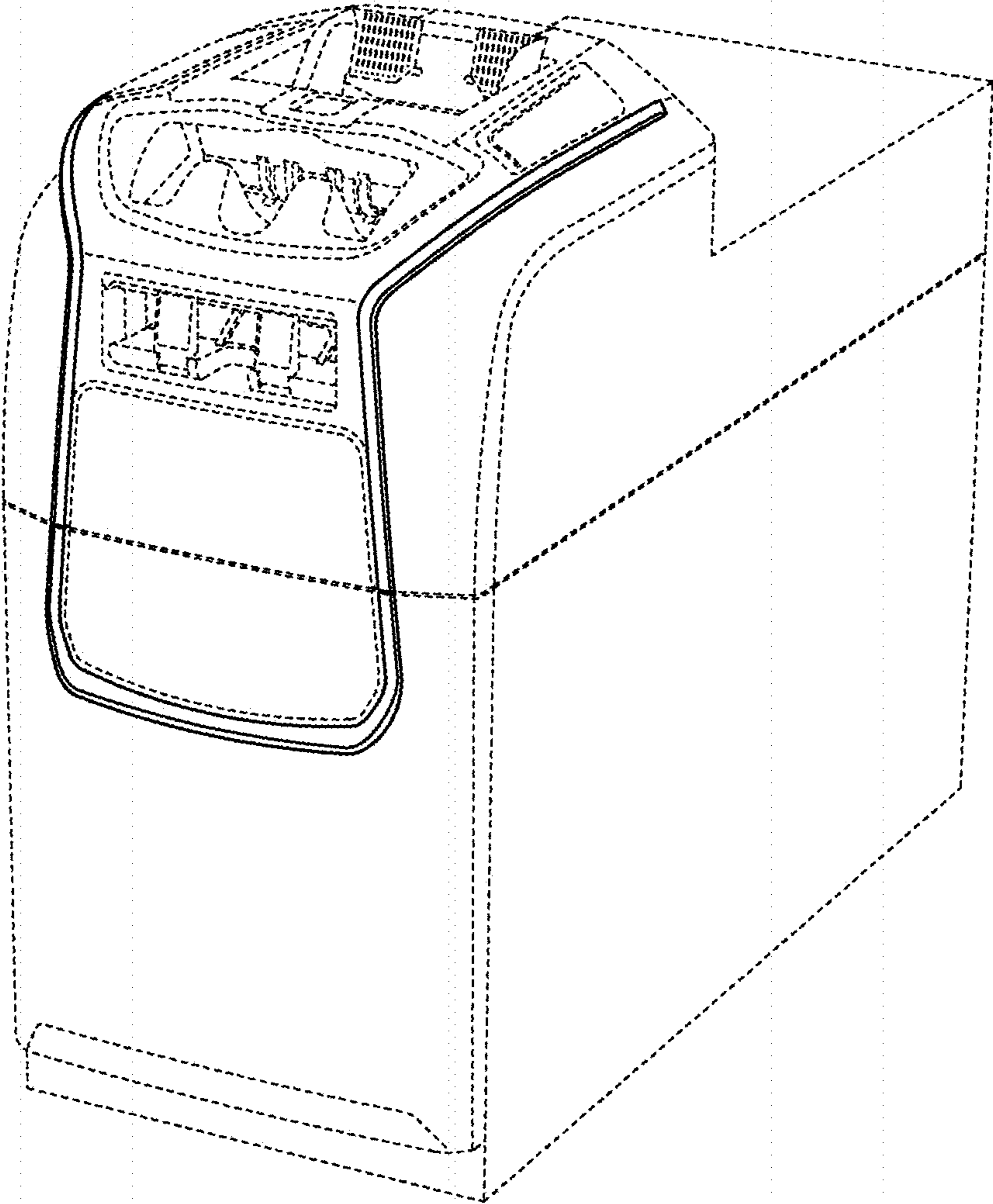




FIG.2

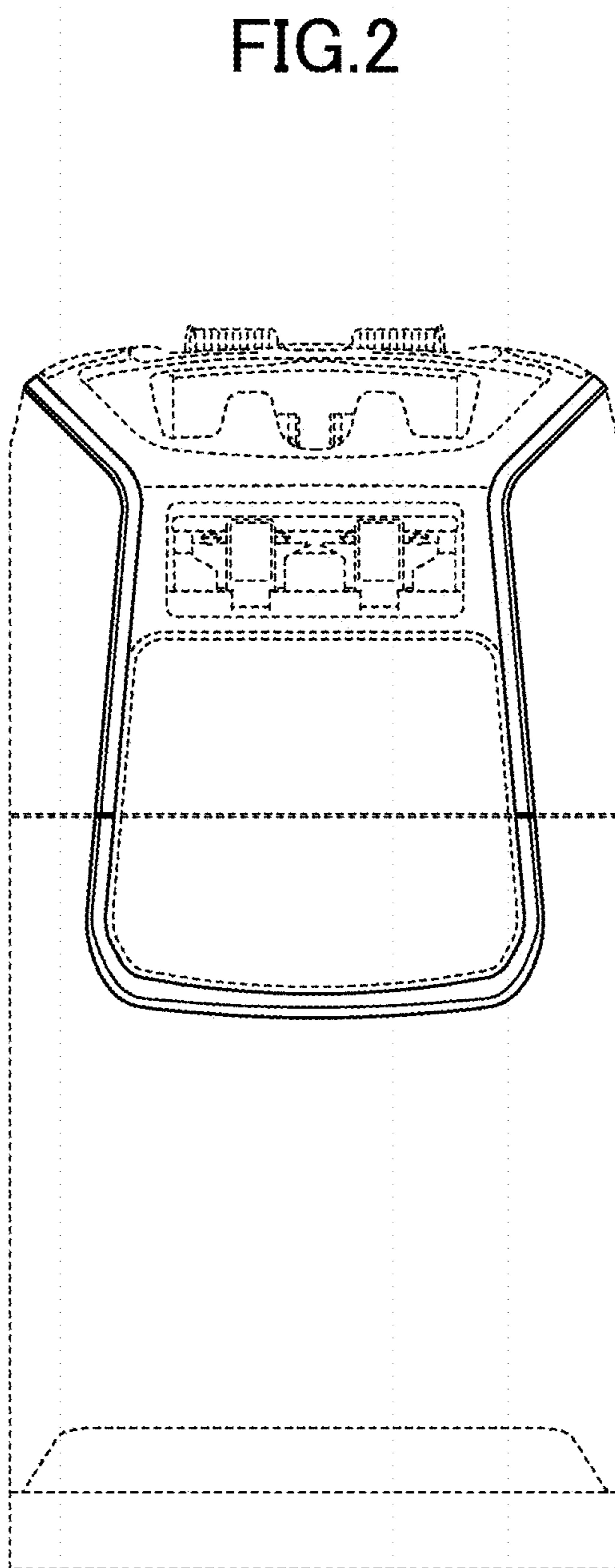


FIG.3

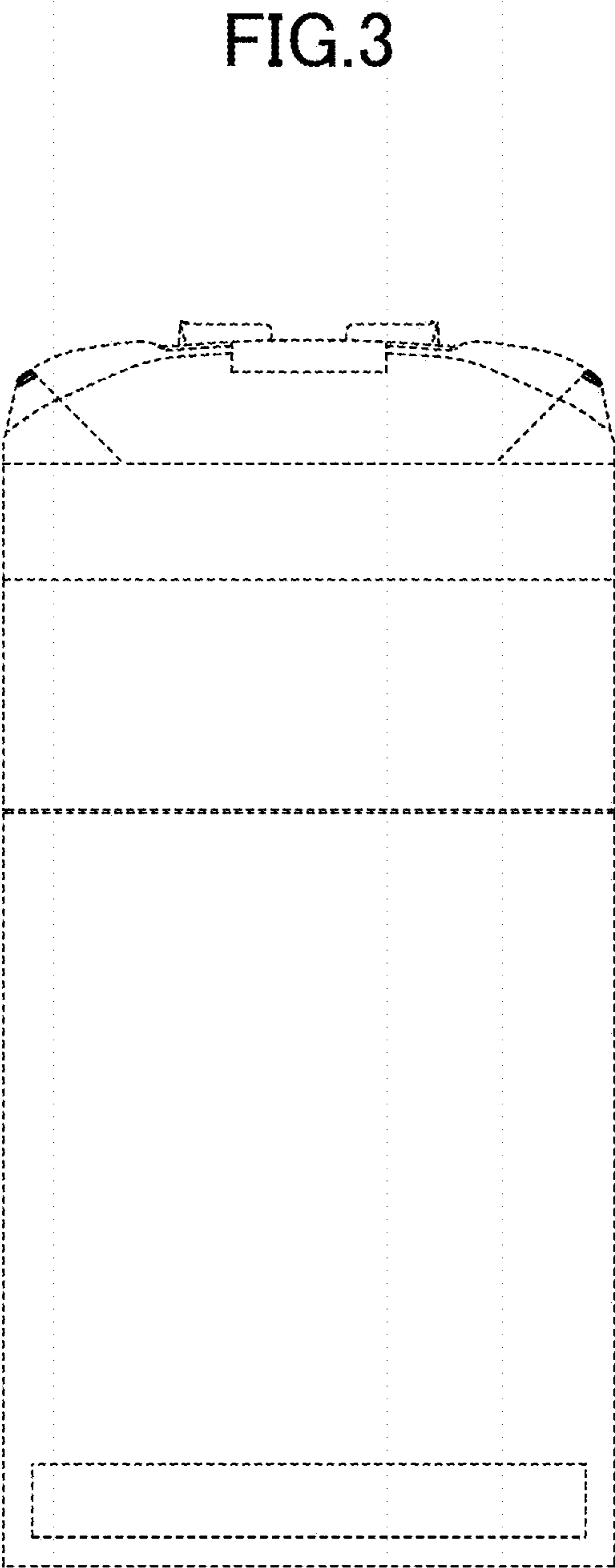


FIG.4

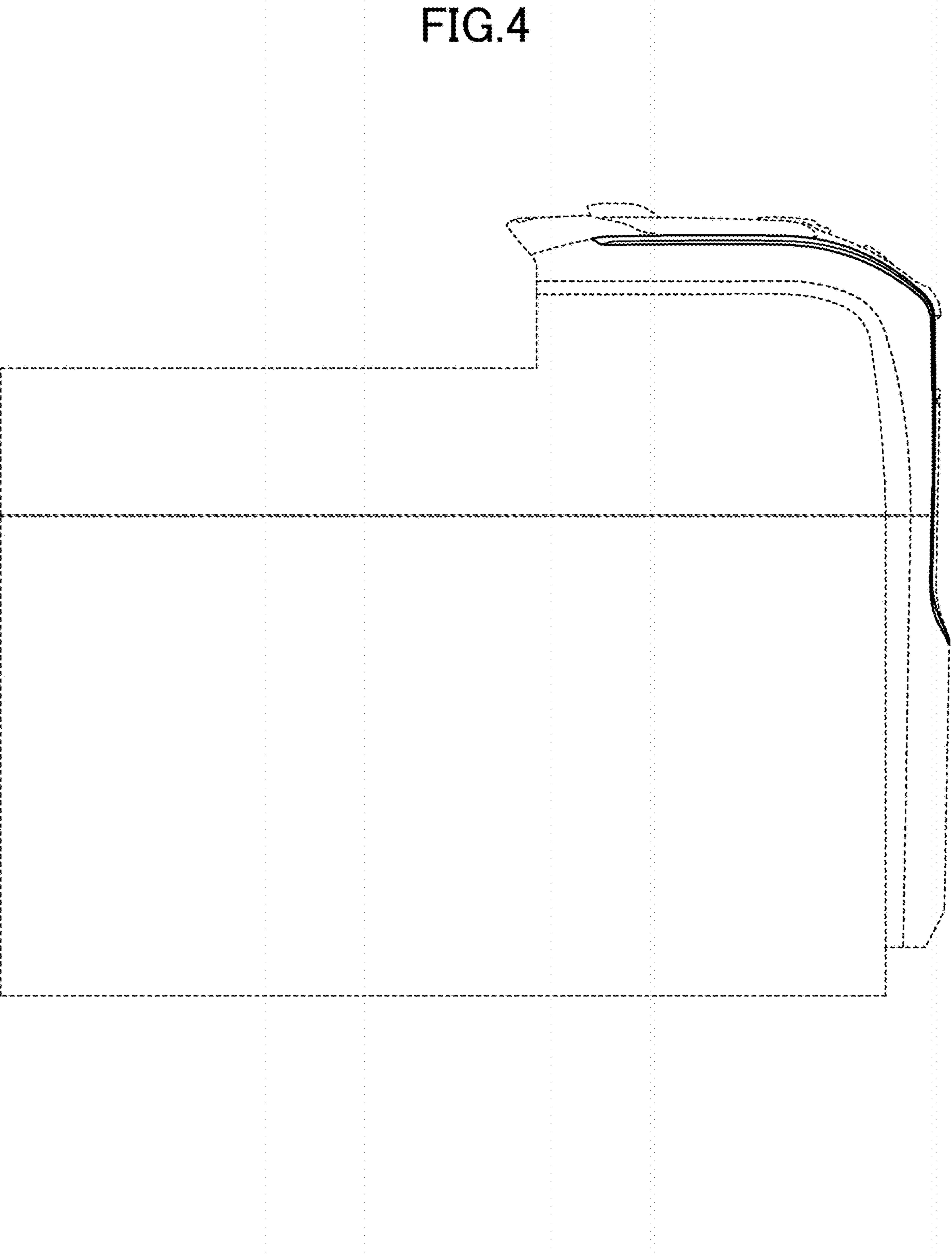


FIG.5

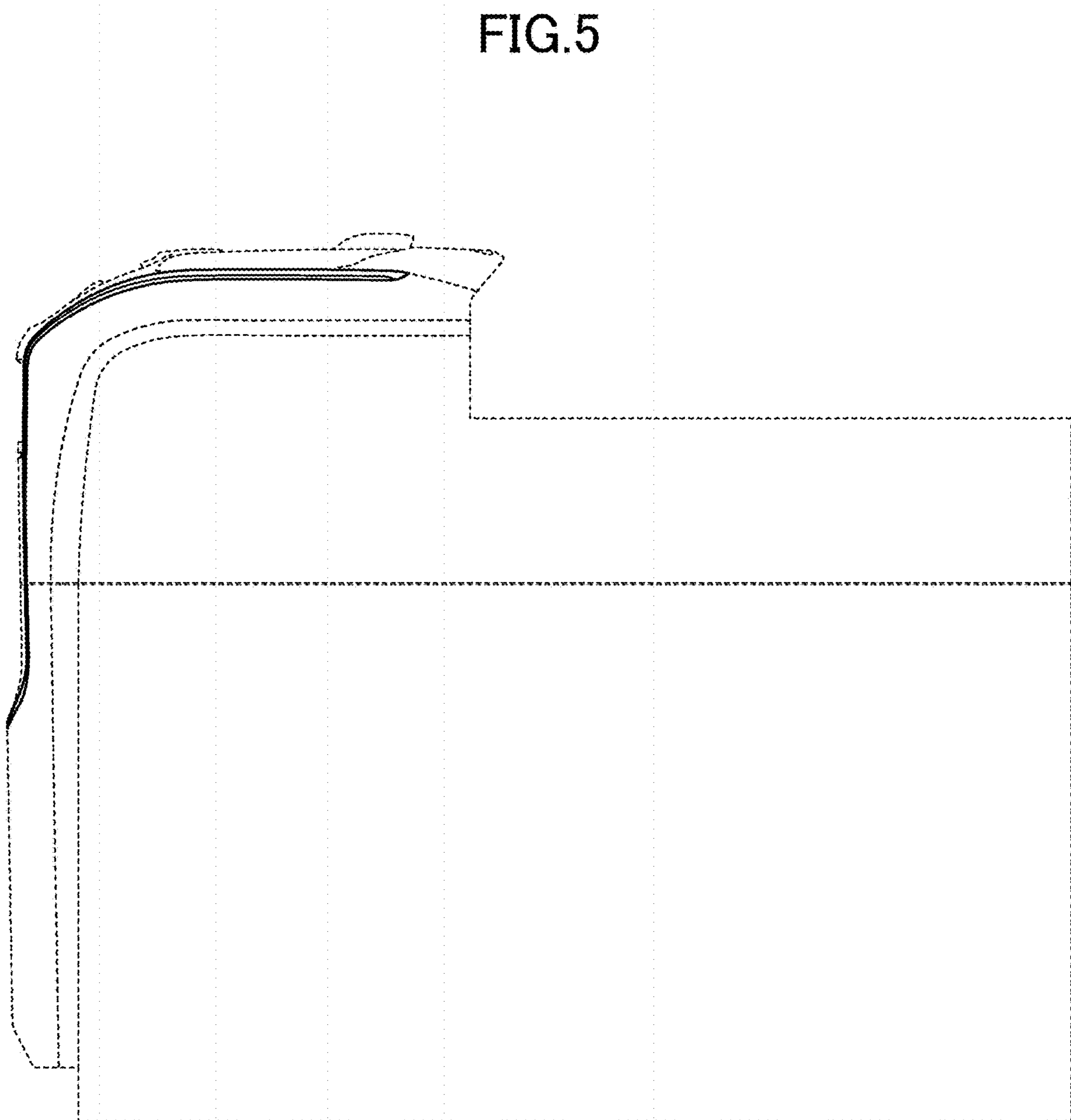


FIG.6

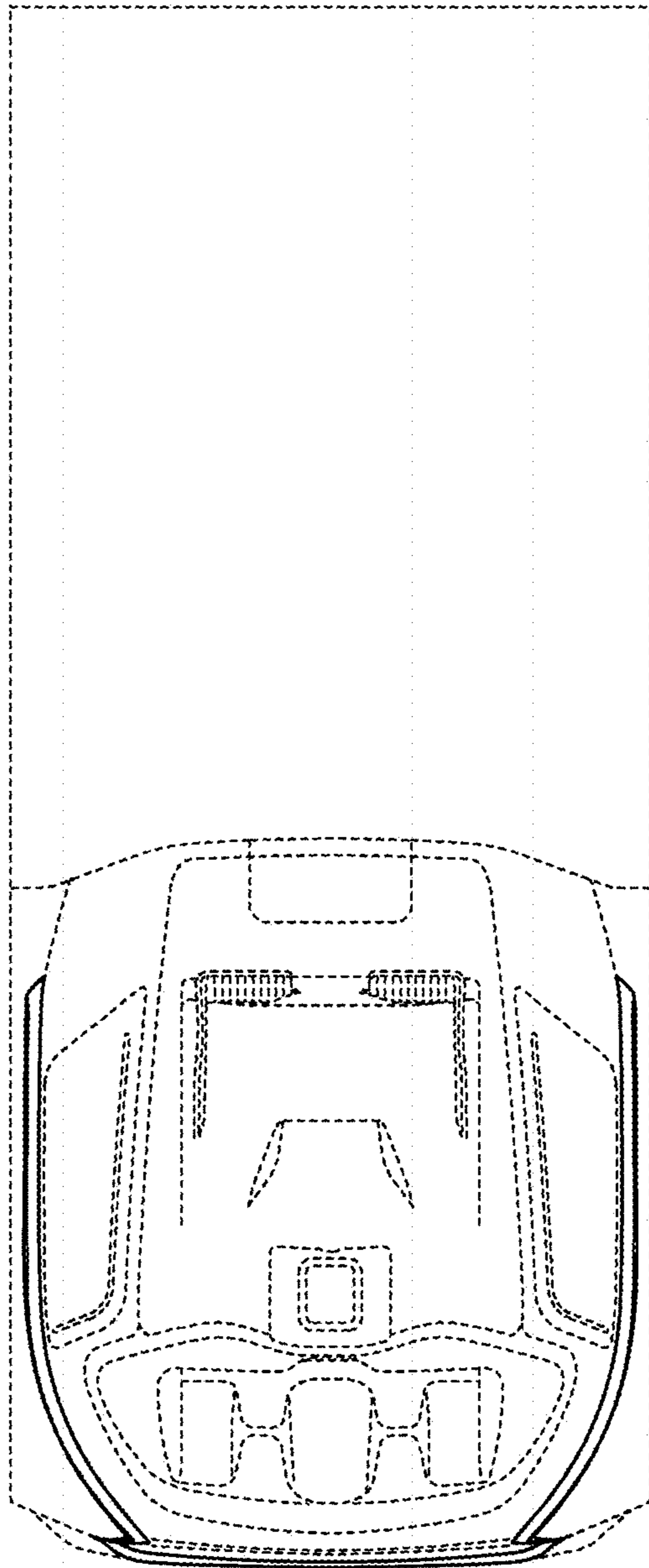




FIG. 7

