



US00D871498S

(12) **United States Design Patent**  
**Kim**

(10) **Patent No.:** **US D871,498 S**

(45) **Date of Patent:** **\*\* Dec. 31, 2019**

- (54) **COIN DEPOSIT MACHINE**
- (71) Applicant: **HANMEGA CO., LTD.**, Seoul (KR)
- (72) Inventor: **Hyeon Chul Kim**, Seoul (KR)
- (73) Assignee: **HANMEGA CO., LTD.**, Seoul (KR)
- (\*\*) Term: **15 Years**

- 4,398,088 A \* 8/1983 Hirose ..... G07F 19/20  
209/534
- D279,791 S \* 7/1985 Nishida ..... D18/3.3
- D279,792 S \* 7/1985 Childers ..... D18/3.1
- D279,793 S \* 7/1985 Childers ..... D18/3.1
- D289,216 S \* 4/1987 Nishida ..... D99/28
- 4,733,765 A \* 3/1988 Watanabe ..... G07D 9/00  
194/206
- D318,553 S \* 7/1991 Brown ..... D99/28

(Continued)

(21) Appl. No.: **29/640,988**

(22) Filed: **Mar. 19, 2018**

(30) **Foreign Application Priority Data**

Dec. 11, 2017 (KR) ..... 30-2017-0058362

(51) **LOC (12) Cl.** ..... **18-01**

(52) **U.S. Cl.**  
USPC ..... **D18/3.1; D99/34**

(58) **Field of Classification Search**  
 USPC ... D18/3.3, 3.1, 3.2, 4.1, 4.4, 12, 12.1, 12.2,  
 D18/12.3, 46, 47, 56, 59; D14/300, 301,  
 D14/302, 303, 307, 308, 348, 349, 432,  
 D14/439, 441, 448, 449, 462, 469, 471,  
 D14/900, 901, 902; D10/96, 97;  
 D99/28, 34, 35, 43, 99, 36; D19/65, 86,  
 D19/100, 95, 99; D20/1, 8, 9  
 CPC ..... G07G 1/00; G07G 1/0009; G07G 1/0036;  
 G07G 1/10; G07G 1/12; G07D 7/00;  
 G07D 7/04; G07D 9/008; G07D 11/00;  
 G07D 11/009; G07D 11/0093; G07D  
 11/50; G07D 2207/00; G07D 2211/00  
 See application file for complete search history.

(56) **References Cited**

**U.S. PATENT DOCUMENTS**

- D157,583 S \* 3/1950 Frick ..... D20/1
- D258,890 S \* 4/1981 Uchida ..... D18/3.3
- D259,641 S \* 6/1981 Uchida ..... D18/3.3

**OTHER PUBLICATIONS**

Coin deposit machines. [online PDF] 22 pgs. Print Dates range Dec. 23, 1998 through Aug. 8, 2018. [Retrieved on Jul. 7, 2019] <https://sobjprd.questel.fr/export/QPTUJ214/pdf2/149ca017-7faf-4e8d-ba82-aa89dd8c2b3b-183242.pdf>.\*

(Continued)

*Primary Examiner* — Marie D. Fast Horse

(74) *Attorney, Agent, or Firm* — Im IP Law; C. Andrew Im; Chai Im

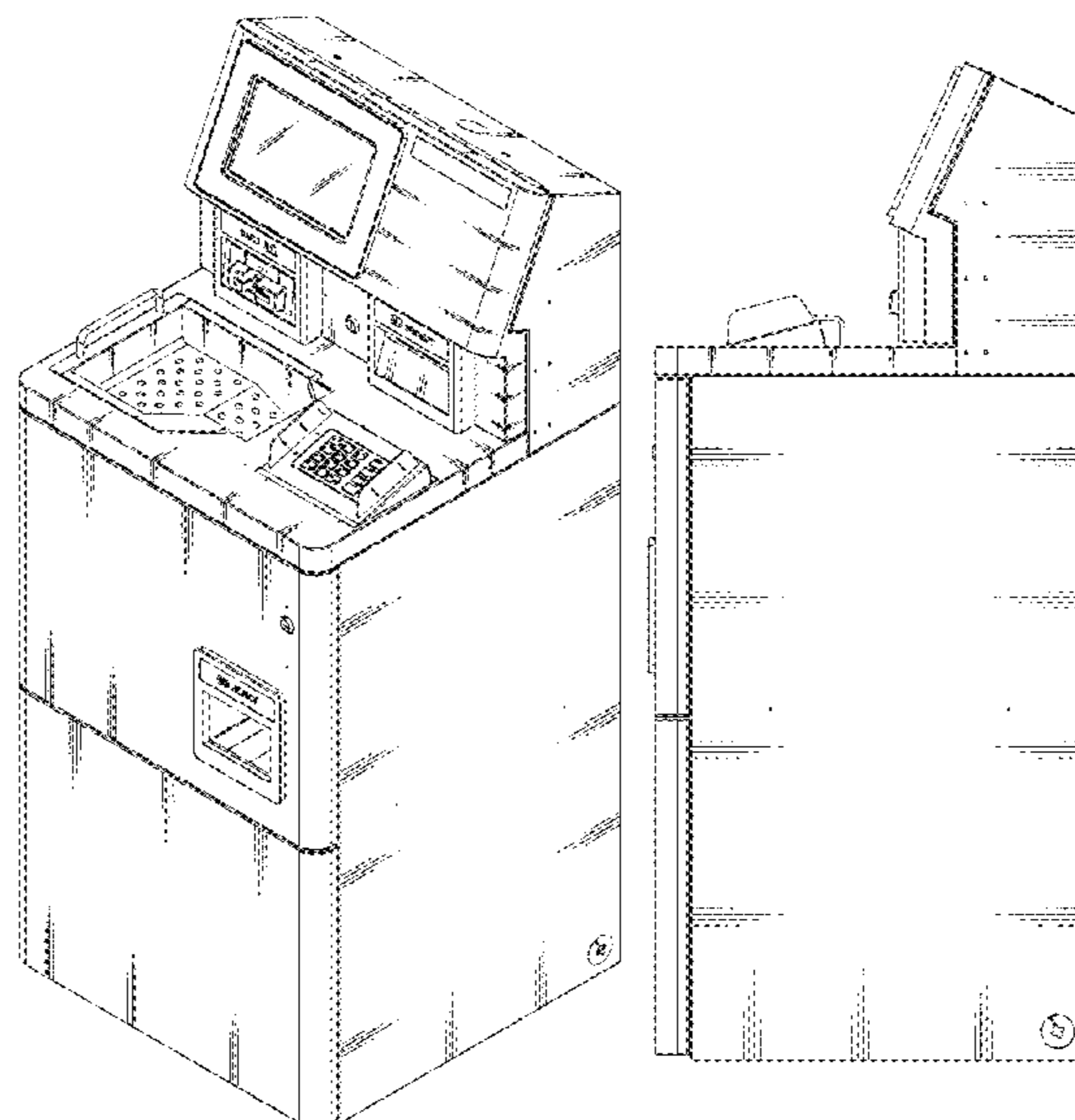
(57) **CLAIM**

The ornamental design for a coin deposit machine, as shown and described.

**DESCRIPTION**

FIG. 1 is a perspective view of a coin deposit machine showing my new design;  
 FIG. 2 is a front view of the coin deposit machine thereof;  
 FIG. 3 is a rear view of the coin deposit machine thereof;  
 FIG. 4 is a left-side view of the coin deposit machine thereof;  
 FIG. 5 is a right-side view of the coin deposit machine thereof;  
 FIG. 6 is a top view of the coin deposit machine thereof; and,  
 FIG. 7 is a bottom view of the coin deposit machine thereof.  
 The broken lines in the drawings depict portions of the coin deposit machine that form no part of the claim.

**1 Claim, 7 Drawing Sheets**



(56)

References Cited

U.S. PATENT DOCUMENTS

D334,029 S \* 3/1993 Reising ..... D20/1  
 D335,149 S \* 4/1993 Dabrowski ..... D20/1  
 D347,837 S \* 6/1994 Gerlach ..... D14/299  
 D365,370 S \* 12/1995 Yurchak ..... D20/1  
 D371,887 S \* 7/1996 Minagawa ..... D99/28  
 5,620,079 A \* 4/1997 Molbak ..... G07D 1/04  
 194/217  
 D396,931 S \* 8/1998 Ng ..... D99/28  
 D410,129 S \* 5/1999 Molander ..... D99/28  
 D422,016 S \* 3/2000 Forslund ..... D18/3.1  
 D432,159 S \* 10/2000 Mallory ..... D18/3.1  
 D447,164 S \* 8/2001 Forslund ..... D18/3.1  
 D448,040 S \* 9/2001 Forslund ..... D18/3.1  
 D481,515 S \* 10/2003 Magee ..... D18/3.1  
 D492,080 S \* 6/2004 Magee ..... D99/28  
 D492,082 S \* 6/2004 Magee ..... D99/28  
 D505,240 S \* 5/2005 Swaine ..... D99/28  
 D505,765 S \* 5/2005 Swaine ..... D99/28  
 D534,705 S \* 1/2007 Kang ..... D99/28  
 D538,505 S \* 3/2007 Kang ..... D99/28  
 D540,004 S \* 4/2007 Kang ..... D99/28  
 D541,505 S \* 4/2007 Kang ..... D99/28  
 D574,417 S \* 8/2008 Gaze ..... D14/308  
 D574,418 S \* 8/2008 Gaze ..... D14/308  
 D574,419 S \* 8/2008 Gaze ..... D14/308  
 D574,420 S \* 8/2008 Gaze ..... D14/308  
 D574,421 S \* 8/2008 Gaze ..... D14/308  
 D574,422 S \* 8/2008 Gaze ..... D14/308  
 D579,481 S \* 10/2008 Gaze ..... D14/308  
 D579,482 S \* 10/2008 Gaze ..... D14/308  
 D582,125 S \* 12/2008 Kang ..... D99/28  
 D597,275 S \* 7/2009 Lee ..... D99/28  
 D618,875 S \* 6/2010 Tougo ..... D18/3.3  
 D626,171 S \* 10/2010 Von Heifner ..... D18/3.1  
 D626,544 S \* 11/2010 Bleck ..... D14/307  
 D626,545 S \* 11/2010 Bleck ..... D14/307  
 D629,585 S \* 12/2010 Bleck ..... D14/307  
 7,980,378 B2 \* 7/2011 Jones ..... G06Q 20/1085  
 194/217  
 D645,223 S \* 9/2011 Bleck ..... D14/307  
 D650,007 S \* 12/2011 Inage ..... D18/3.3  
 D661,727 S \* 6/2012 Bleck ..... D18/3.3  
 D663,765 S \* 7/2012 Bleck ..... D18/3.3

8,251,198 B2 \* 8/2012 Zwieg ..... G07D 9/00  
 194/215  
 D669,525 S \* 10/2012 Bleck ..... D18/3.3  
 D671,164 S \* 11/2012 Bleck ..... D18/3.3  
 D677,714 S \* 3/2013 Helgesson ..... D14/900  
 D686,273 S \* 7/2013 Kurokawa ..... D18/3.3  
 D702,415 S \* 4/2014 Kimoto ..... D99/43  
 D702,914 S \* 4/2014 Budde ..... D99/28  
 D722,640 S \* 2/2015 Miyake ..... D18/4.1  
 D725,340 S \* 3/2015 Giometti ..... D99/28  
 D787,774 S \* 5/2017 Shin ..... D99/28  
 D792,049 S \* 7/2017 Oh ..... D99/28  
 D820,824 S \* 6/2018 Thornton ..... D14/307  
 D825,133 S \* 8/2018 Park ..... D99/28  
 D833,704 S \* 11/2018 Kraft ..... D99/28  
 D840,390 S \* 2/2019 Mangeot ..... D14/307  
 D844,045 S \* 3/2019 Umeda ..... D18/3.1  
 2003/0190882 A1 \* 10/2003 Blake ..... G07D 9/008  
 453/63  
 2005/0056519 A1 \* 3/2005 Yokoi ..... G07F 19/202  
 194/206  
 2005/0056693 A1 \* 3/2005 Yokoi ..... G07F 19/20  
 235/379  
 2006/0043167 A1 \* 3/2006 Fujioka ..... G07F 19/20  
 235/379  
 2008/0082207 A1 \* 4/2008 Sjostrom ..... G07D 1/02  
 700/231  
 2009/0120760 A1 \* 5/2009 Sjostrom ..... G07D 9/008  
 194/302  
 2009/0260948 A1 \* 10/2009 Matsumoto ..... G07D 9/00  
 194/302  
 2014/0030972 A1 \* 1/2014 Bengtsson ..... G07D 3/14  
 453/3  
 2014/0116839 A1 \* 5/2014 Iwatsuki ..... B65H 29/006  
 194/206  
 2014/0238816 A1 \* 8/2014 Martin ..... G07D 3/06  
 194/217  
 2016/0300399 A1 \* 10/2016 Matsuno ..... G07D 9/008

OTHER PUBLICATIONS

Scan Coin CDP4 Sistema Autoliquidacion Efectivo. (online video)  
 1 pg. Mar. 14, 2012. [Retrieved on Jul. 8, 2019] <https://www.youtube.com/watch?v=1HdNaQO0FME>.\*

\* cited by examiner

FIG. 1

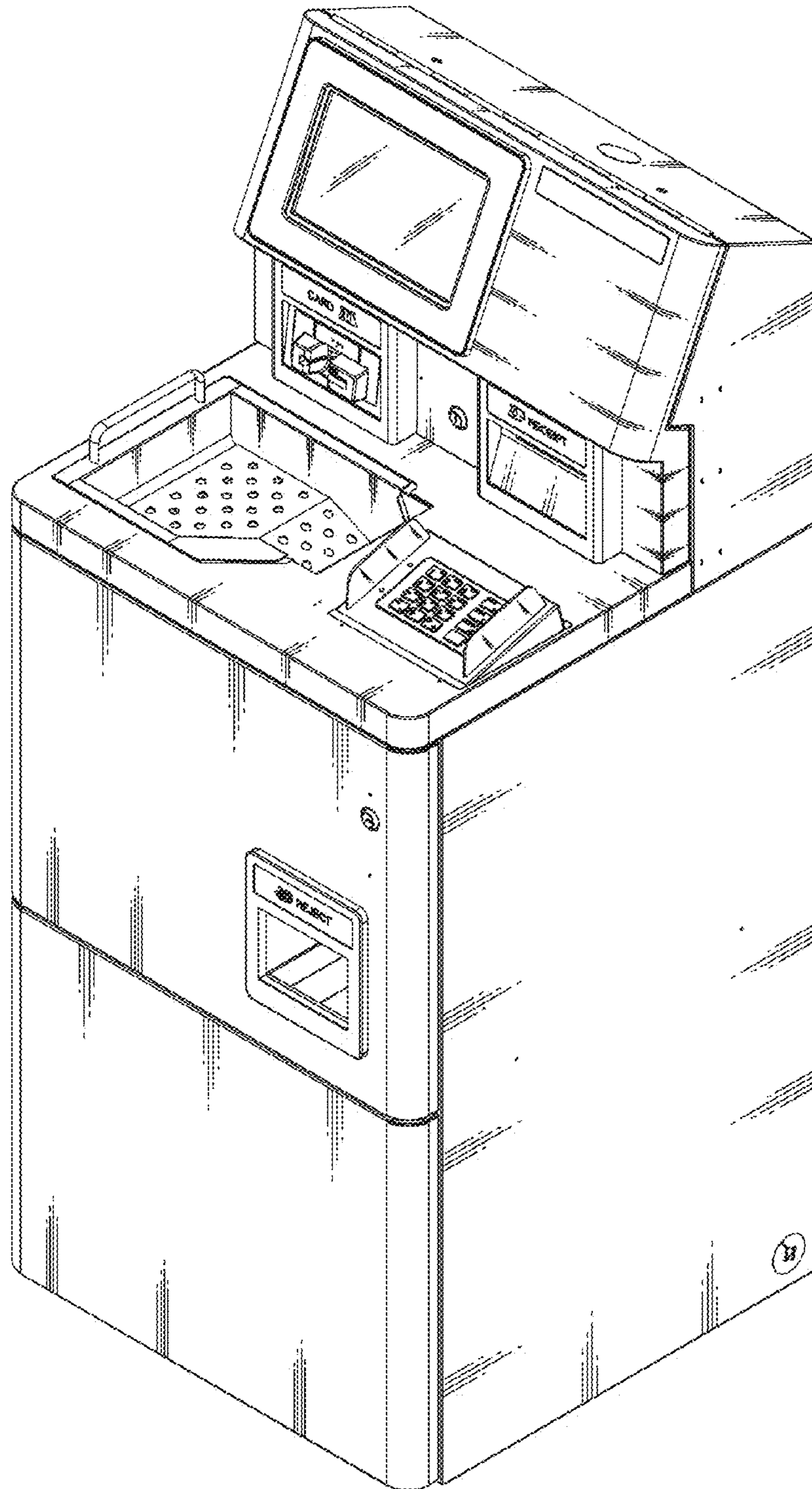


FIG. 2

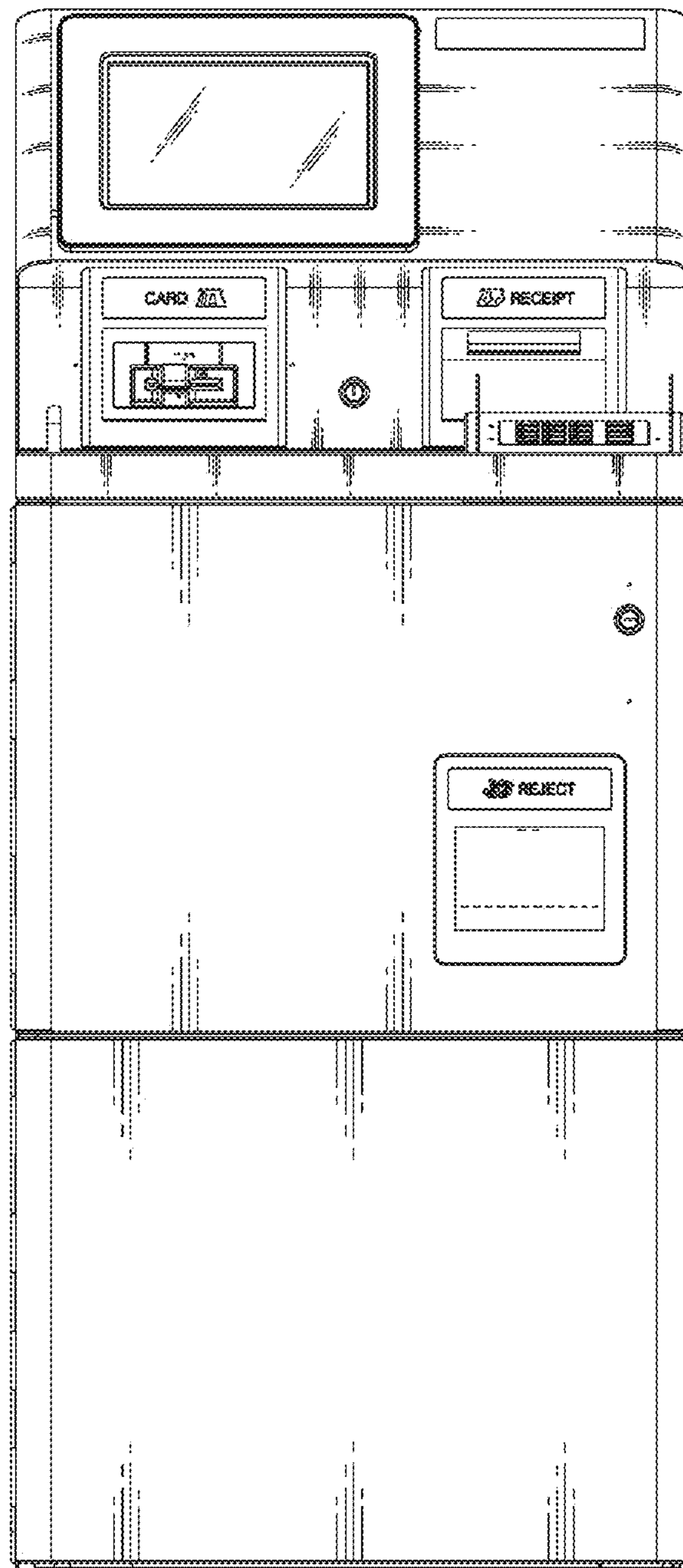


FIG. 3

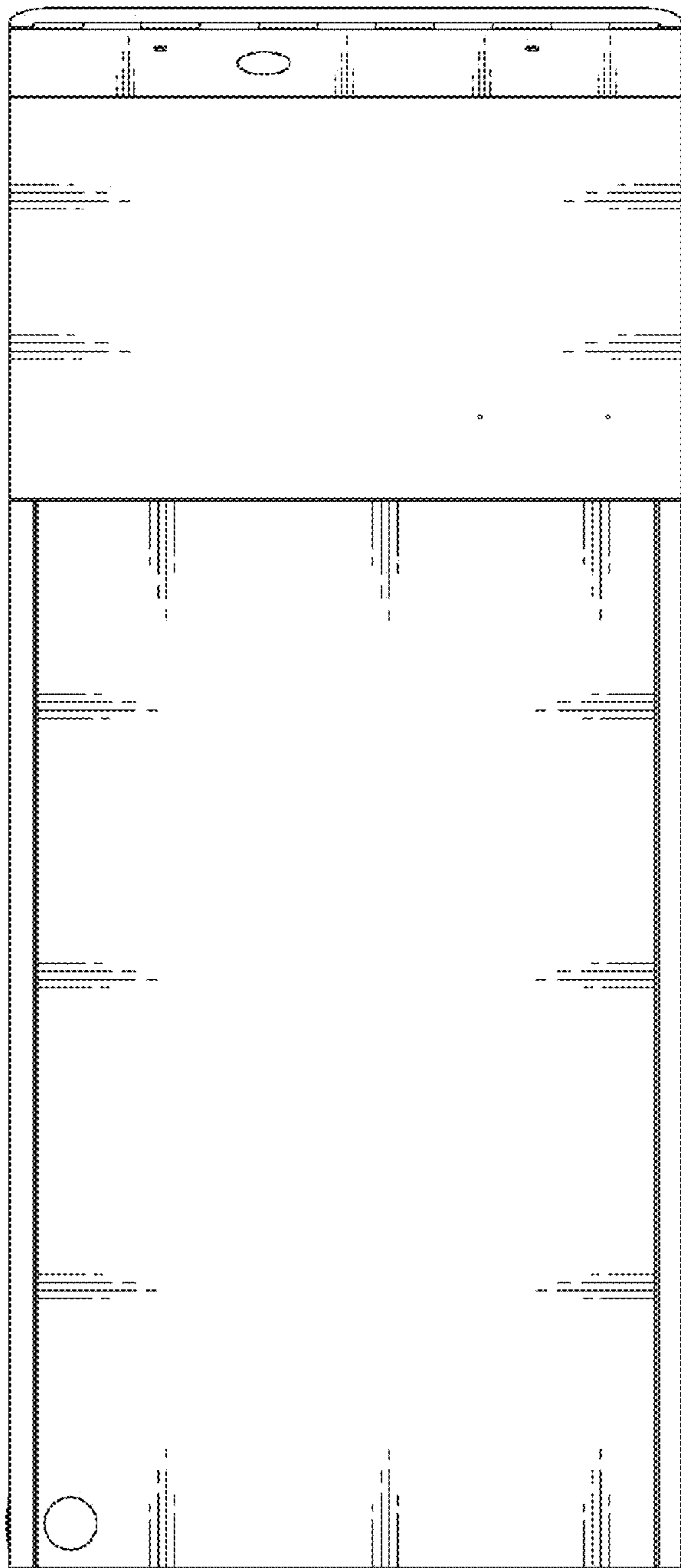


FIG. 4

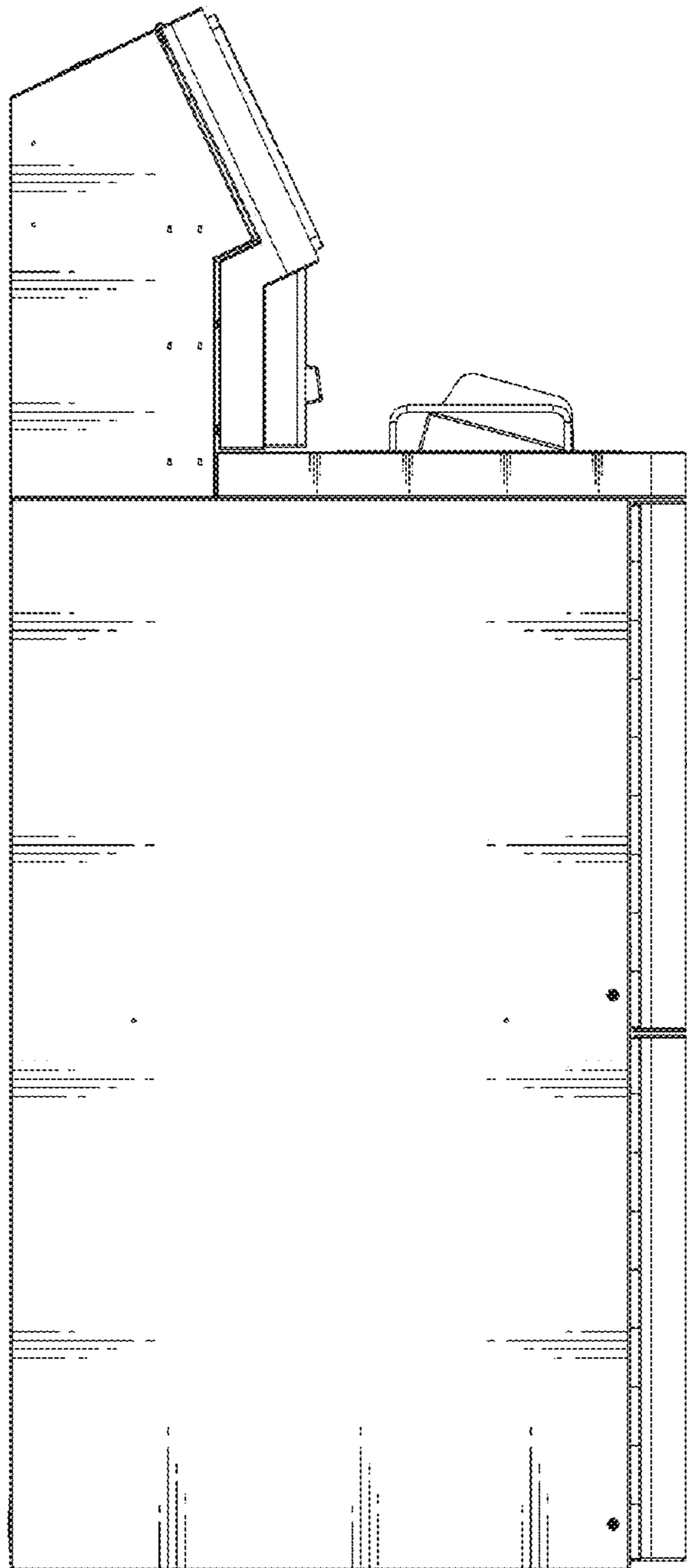


FIG. 5

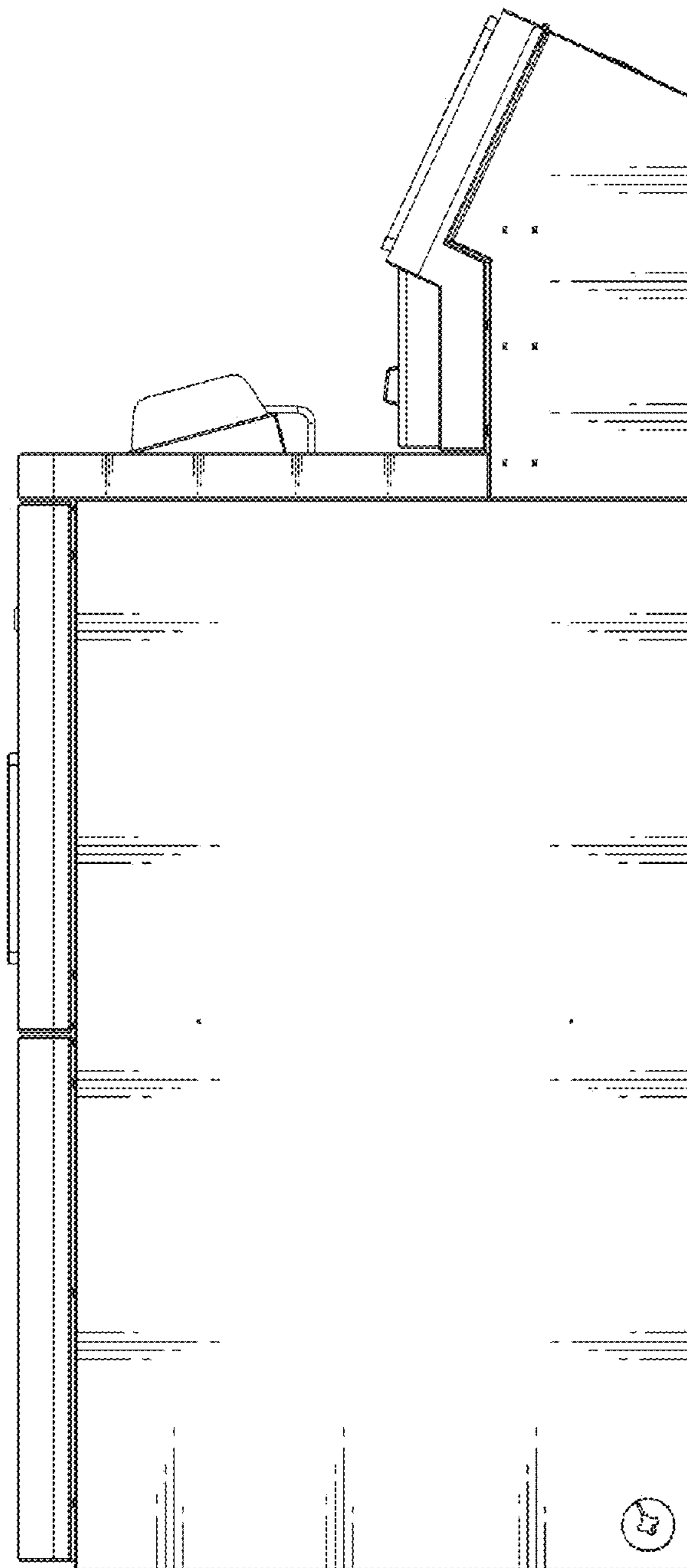


FIG. 6

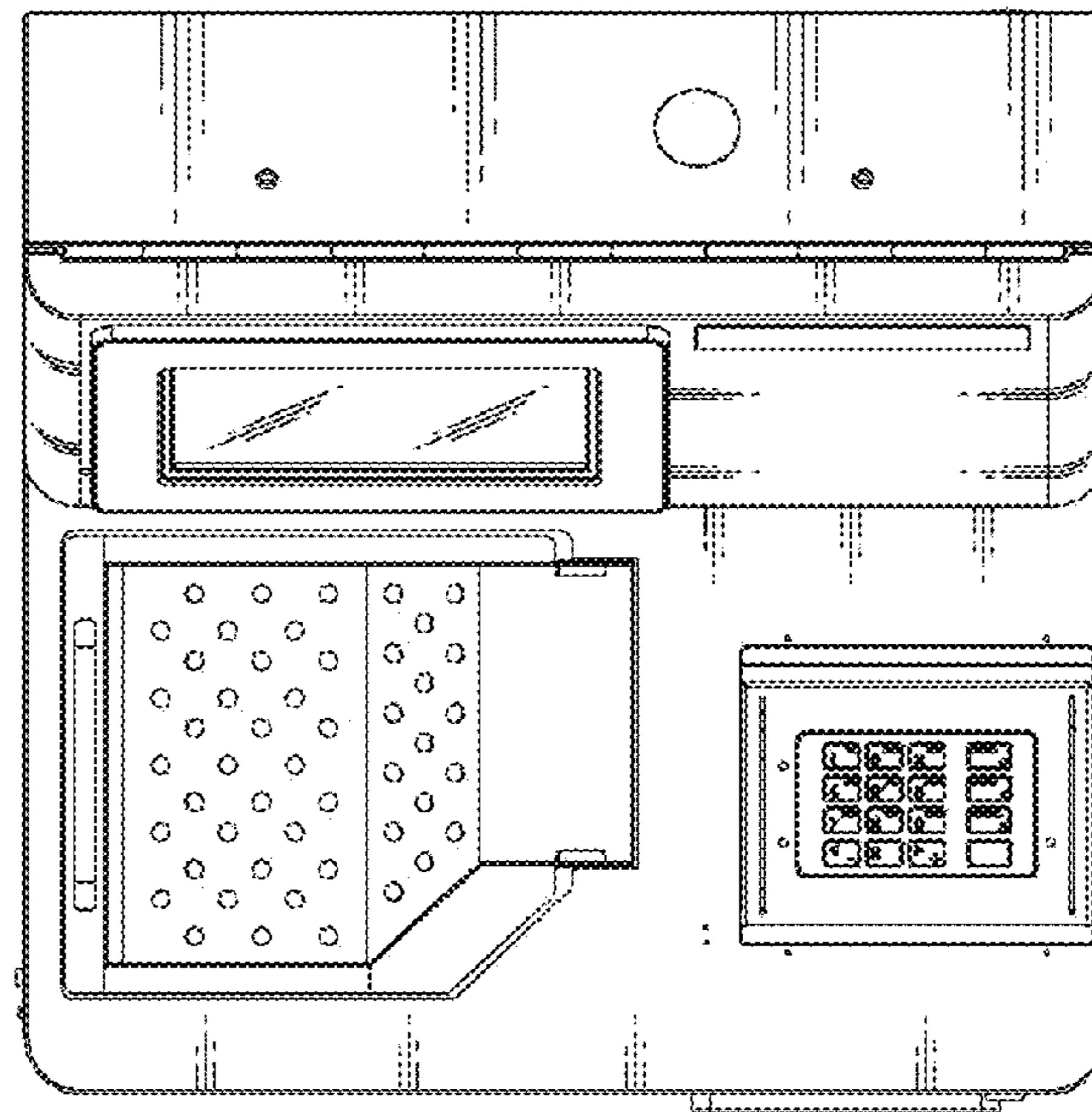




FIG. 7

