



US00D871491S

(12) **United States Design Patent** (10) **Patent No.:** **US D871,491 S**
Arens et al. (45) **Date of Patent:** **** Dec. 31, 2019**

(54) **IMAGE DEVICE HOLDER**

(71) Applicant: **Google LLC**, Mountain View, CA (US)

(72) Inventors: **Michael Robert Arens**, San Francisco, CA (US); **John Lapetina**, San Francisco, CA (US); **Tressa Christie Scott**, Roxbury Crossing, MA (US); **Matthew Donald Wilson**, Shoreline, WA (US); **Eva Ariella Siobhan Snee**, Seattle, WA (US); **Juston Payne**, San Mateo, CA (US); **Aaron Michael Donsbach**, Seattle, WA (US); **Kenneth Sweet**, San Francisco, CA (US); **Maj Isabelle Olsson**, Sunnyvale, CA (US); **Natalie Naruns**, Los Altos, CA (US); **Dong Rim Lee**, San Jose, CA (US)

(73) Assignee: **Google LLC**, Mountain View, CA (US)

(**) Term: **15 Years**

(21) Appl. No.: **29/671,702**

(22) Filed: **Nov. 29, 2018**

Related U.S. Application Data

(62) Division of application No. 29/618,869, filed on Sep. 25, 2017, now Pat. No. Des. 839,949.

(51) **LOC (12) Cl.** **16-05**

(52) **U.S. Cl.**
USPC **D16/242**

(58) **Field of Classification Search**
USPC D16/237, 242-245; D8/354, 355, 373, D8/382-383; D14/224, 229, 238, 251, D14/253, 447
CPC A45F 5/00; A45F 5/10; F16M 11/06-10; G03B 17/561-568

See application file for complete search history.

(56) **References Cited**

U.S. PATENT DOCUMENTS

D239,082 S	3/1976	Manning	
D251,426 S	3/1979	Molyneux	
D349,041 S	7/1994	Wical	
D356,244 S	3/1995	Merritt	
D559,850 S	1/2008	Lye	
D574,375 S	8/2008	Prest et al.	
D628,615 S	12/2010	Siegel et al.	
D643,457 S	8/2011	DeLong	
D663,726 S	7/2012	Gourley	
D669,890 S	10/2012	Hopkins et al.	
D676,737 S	2/2013	Zimmerer	
D704,246 S *	5/2014	Chun	D16/244
D710,836 S	8/2014	Wengreen et al.	
D716,641 S *	11/2014	Goodman	D8/371

(Continued)

Primary Examiner — Vy N Koenig

(74) *Attorney, Agent, or Firm* — Lerner, David, Littenberg, Krumholz & Mentlik, LLP

(57) **CLAIM**

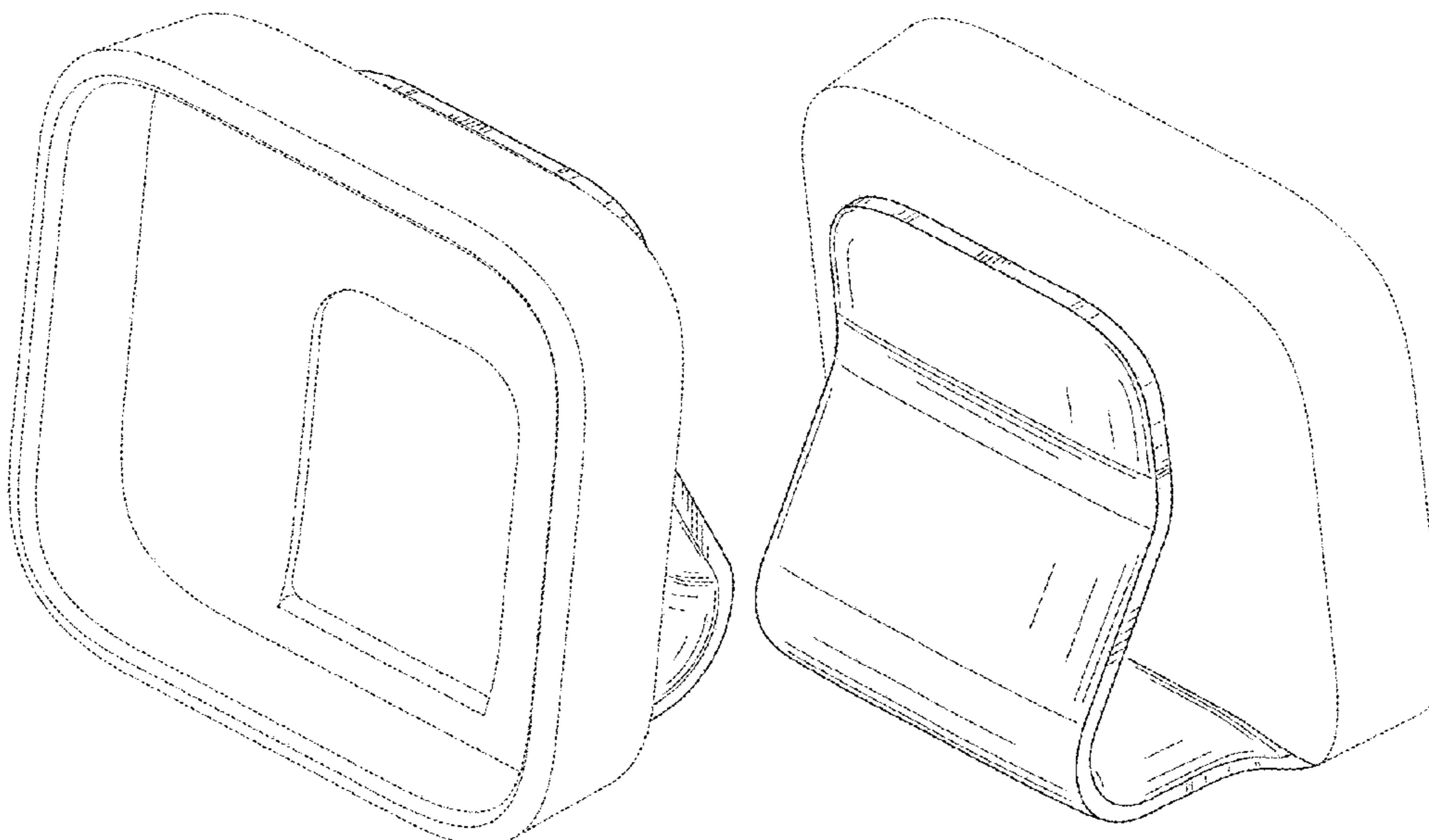
The ornamental design for an image device holder, as shown and described.

DESCRIPTION

FIG. 1 is a front, top, and left perspective view of an image device holder according to the design; FIG. 2 is a rear, top, and right perspective view thereof; FIG. 3 is a front view thereof; FIG. 4 is a rear view thereof; FIG. 5 is a right side view thereof; FIG. 6 is a left side view thereof; FIG. 7 is a top view thereof; and, FIG. 8 is a bottom view thereof.

The evenly spaced broken lines and the spaces therein are included for illustrating environmental aspects only and form no part of the claimed design. The unevenly dashed broken lines depict boundaries of the claim and form no part of the claimed design.

1 Claim, 7 Drawing Sheets



(56)

References Cited

U.S. PATENT DOCUMENTS

D727,718 S * 4/2015 McLaren Hall D8/373
D733,788 S 7/2015 Baker et al.
D735,260 S 7/2015 Bould et al.
D739,387 S * 9/2015 Fujioka D14/224
D755,786 S 5/2016 Lapetina et al.
D756,367 S 5/2016 Kim
D765,623 S 9/2016 Yang et al.
D767,575 S 9/2016 Green
D769,107 S * 10/2016 McLaren Hall D8/373
D771,055 S * 11/2016 Sharma D14/447
D771,616 S 11/2016 Bo
D780,187 S 2/2017 Lee
D788,780 S 6/2017 Chen
D795,327 S * 8/2017 Martin D16/242
D795,844 S * 8/2017 Harper D14/223
D798,305 S 9/2017 Wengreen
D811,413 S 2/2018 Jeong
D811,414 S 2/2018 Lee
D839,949 S * 2/2019 Arens D16/242
2013/0148955 A1 6/2013 Overall

* cited by examiner

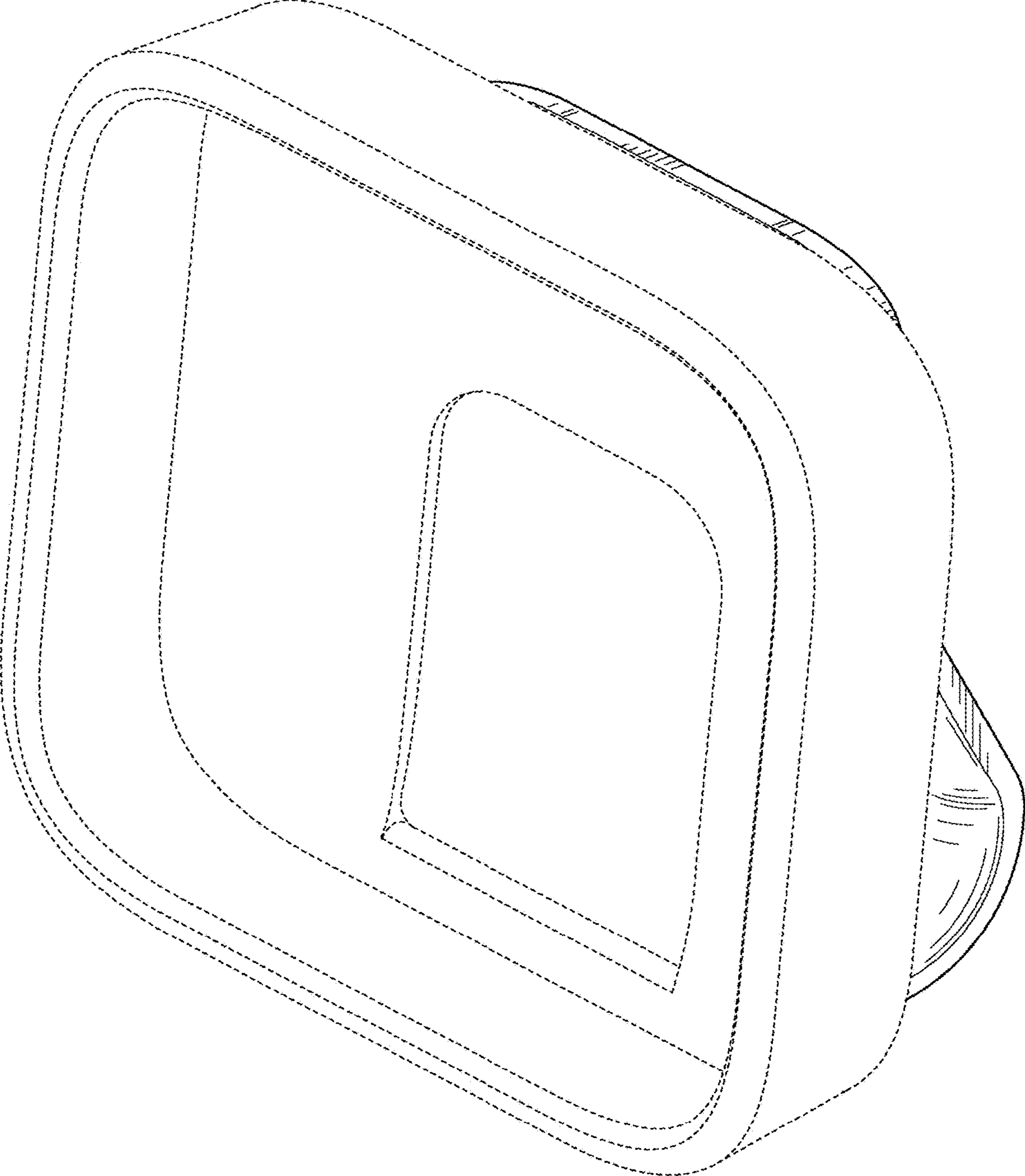


FIG. 1

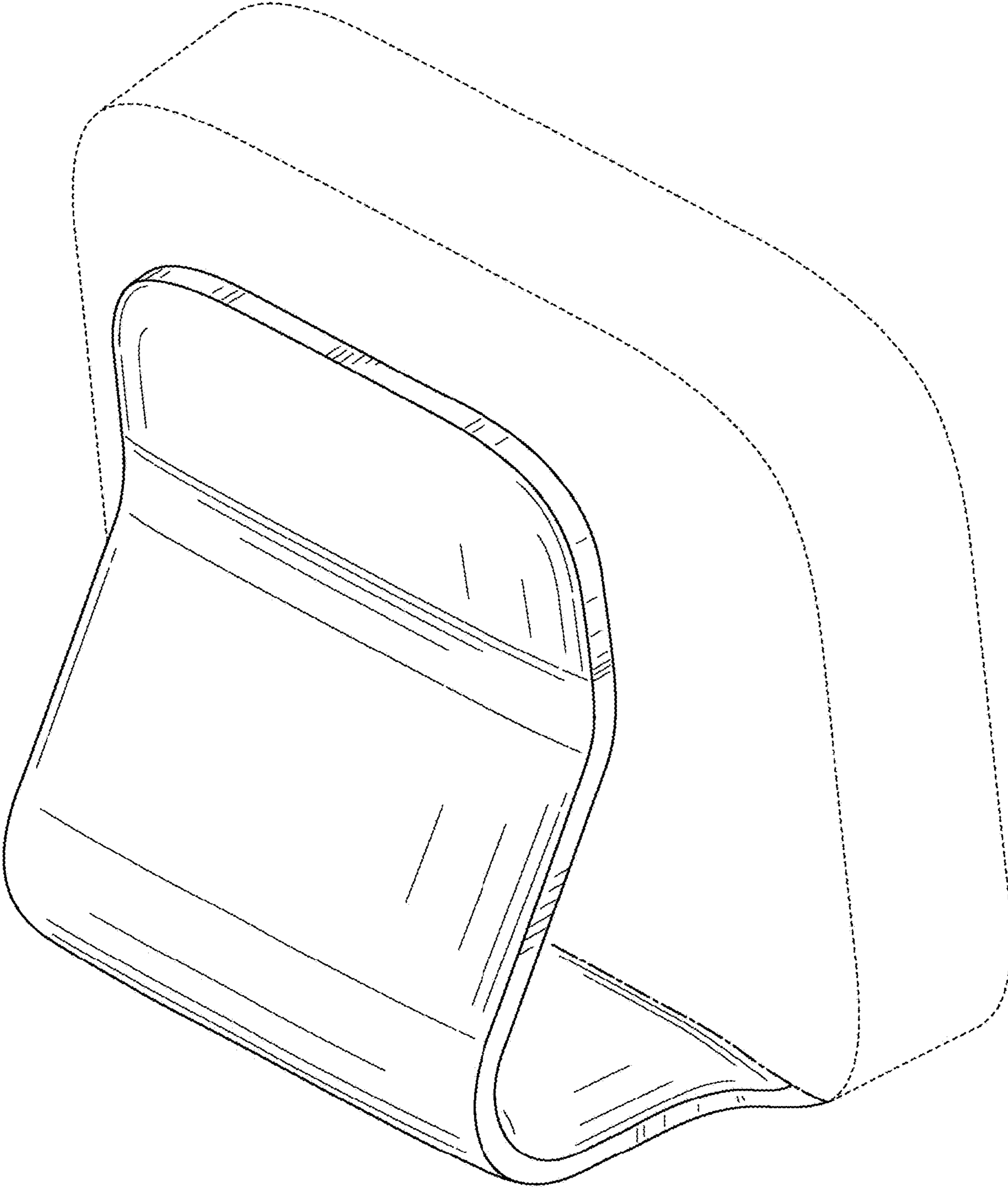


FIG. 2

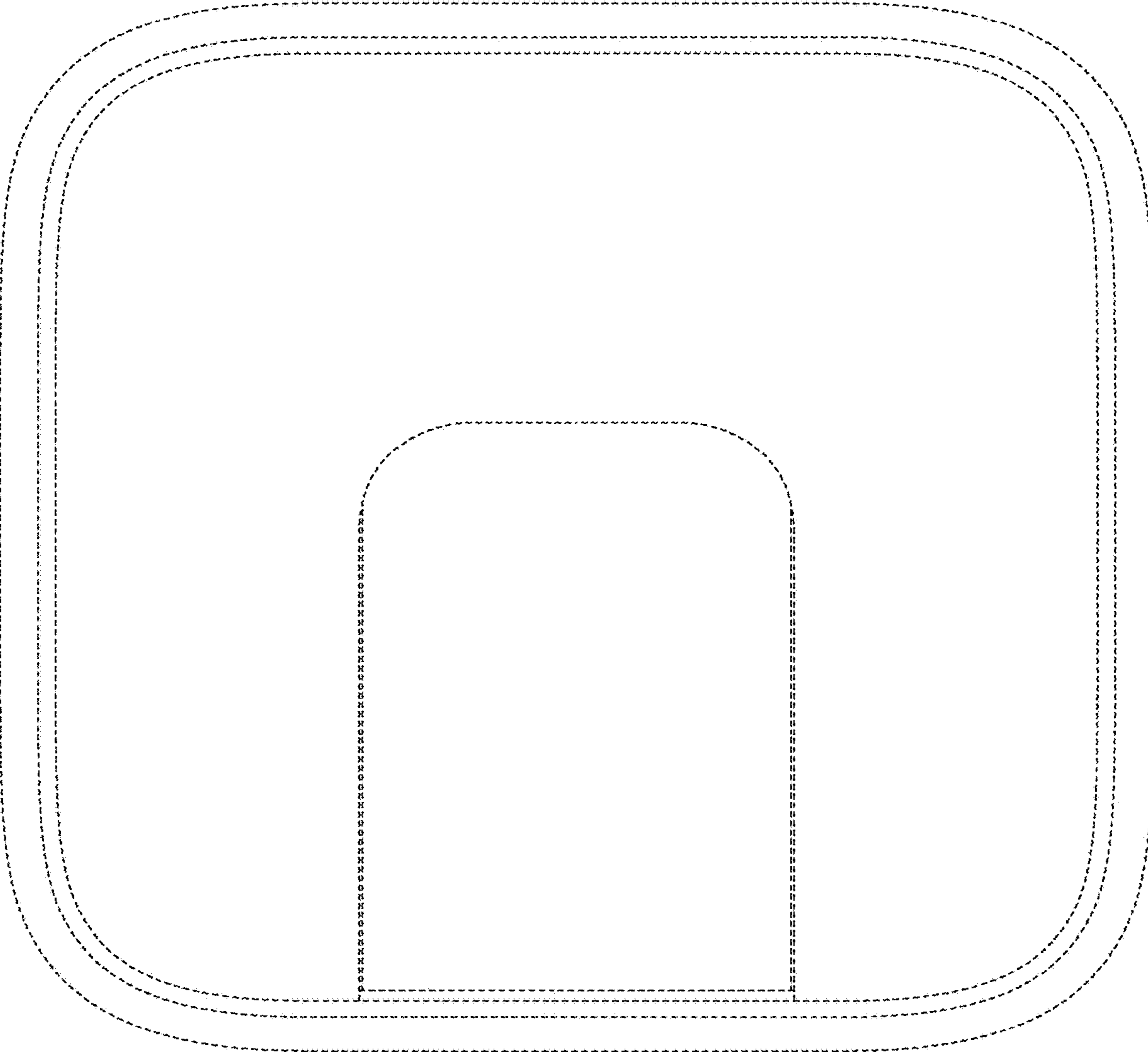


FIG. 3

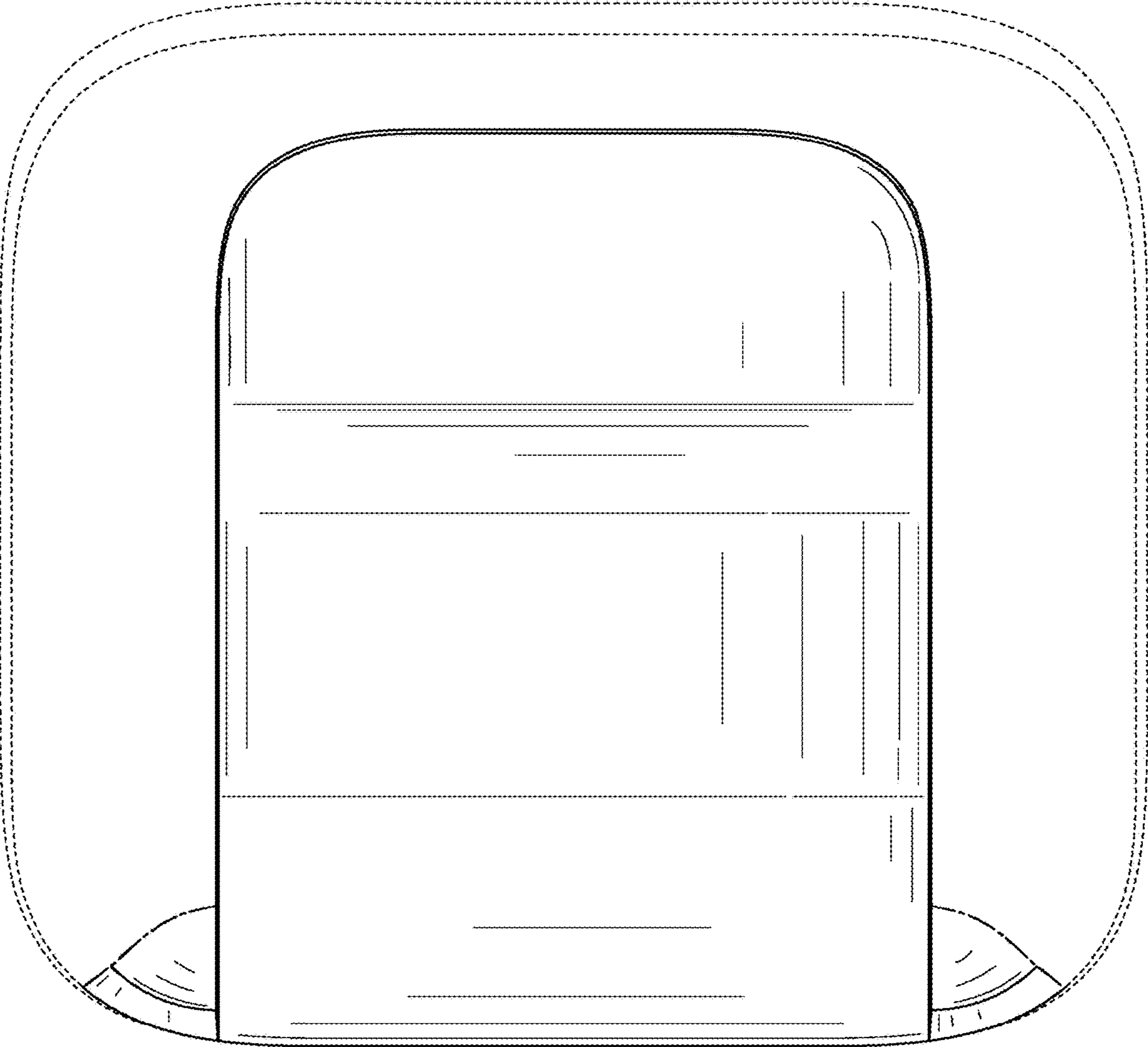


FIG. 4

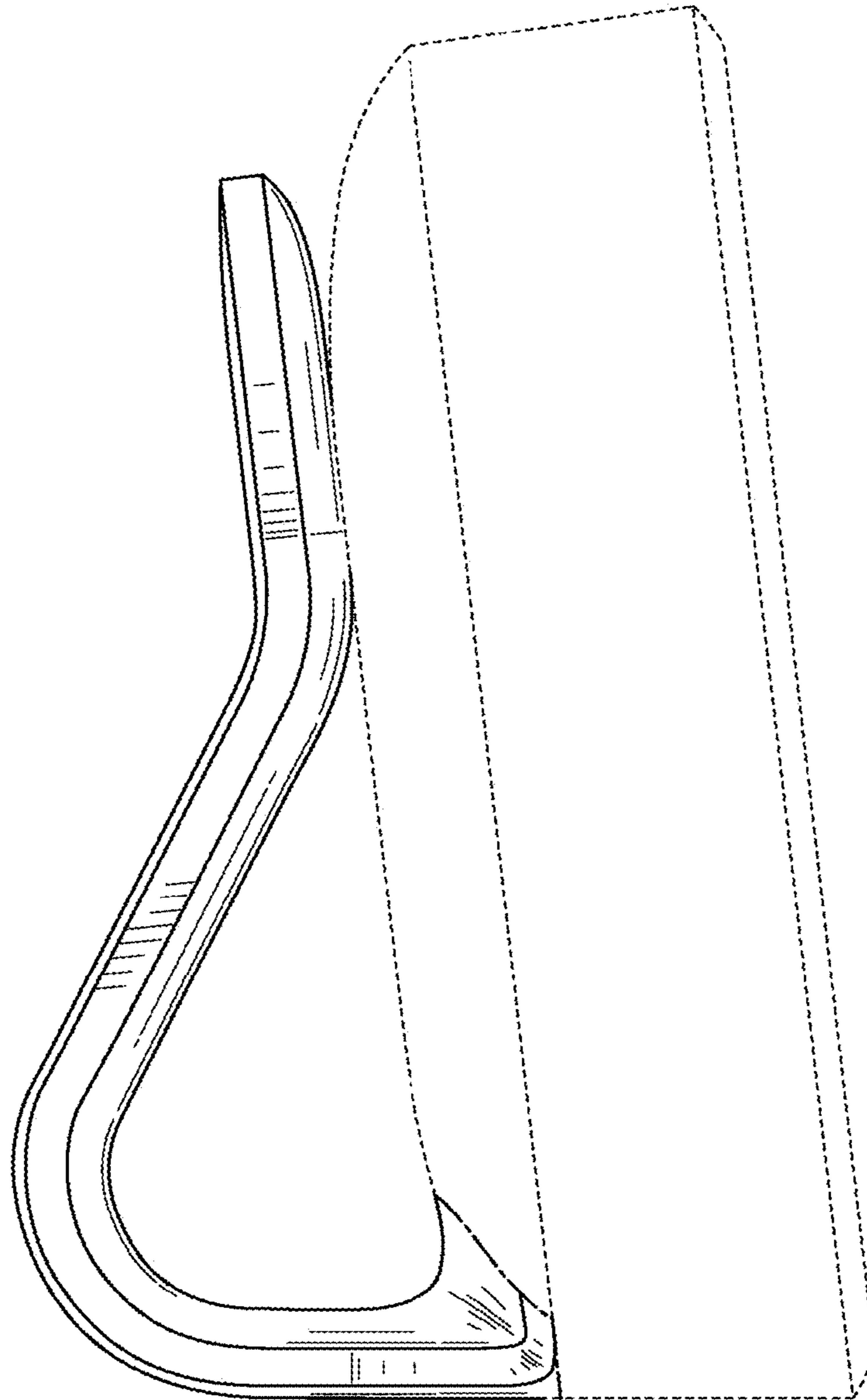


FIG. 5

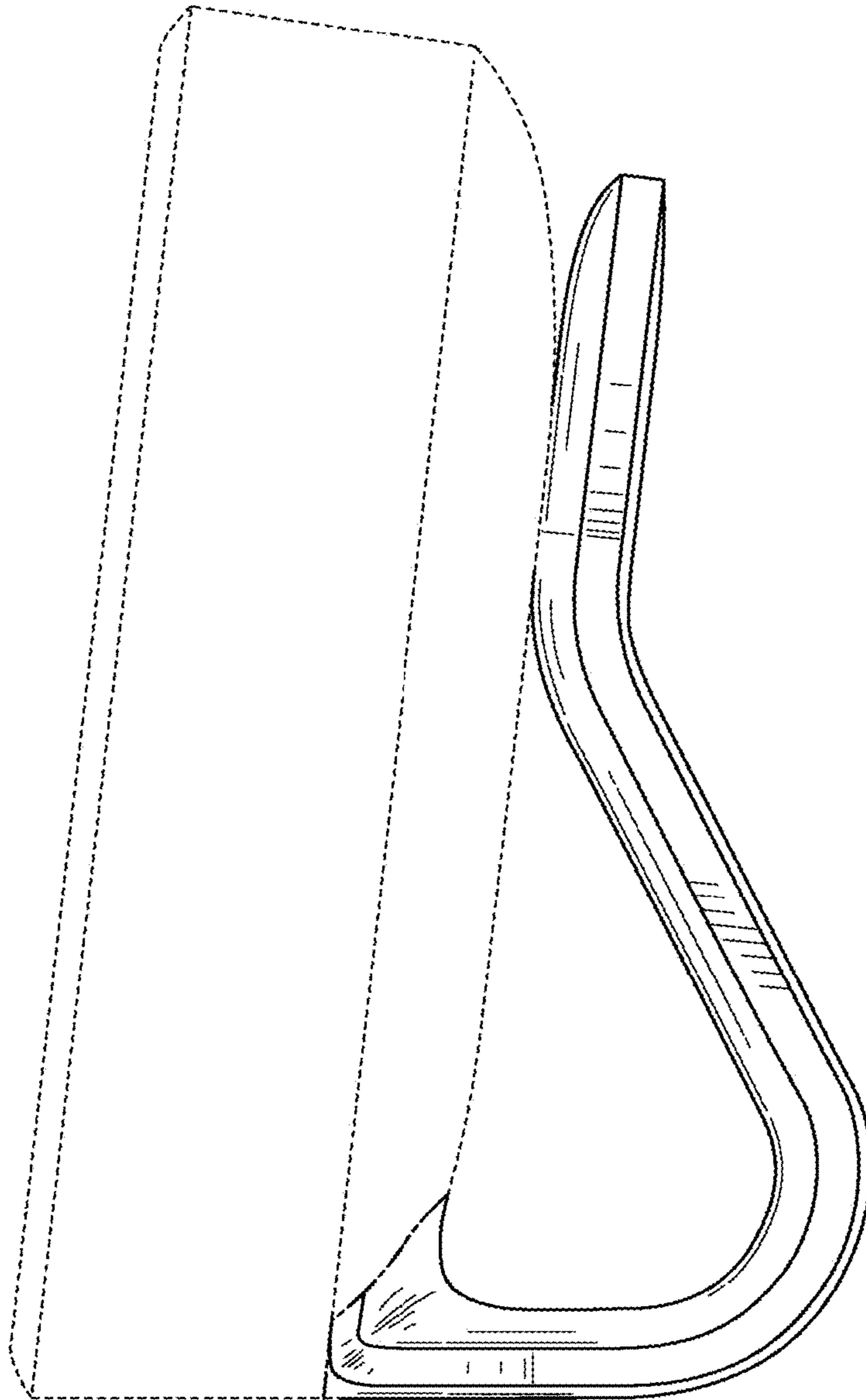


FIG. 6

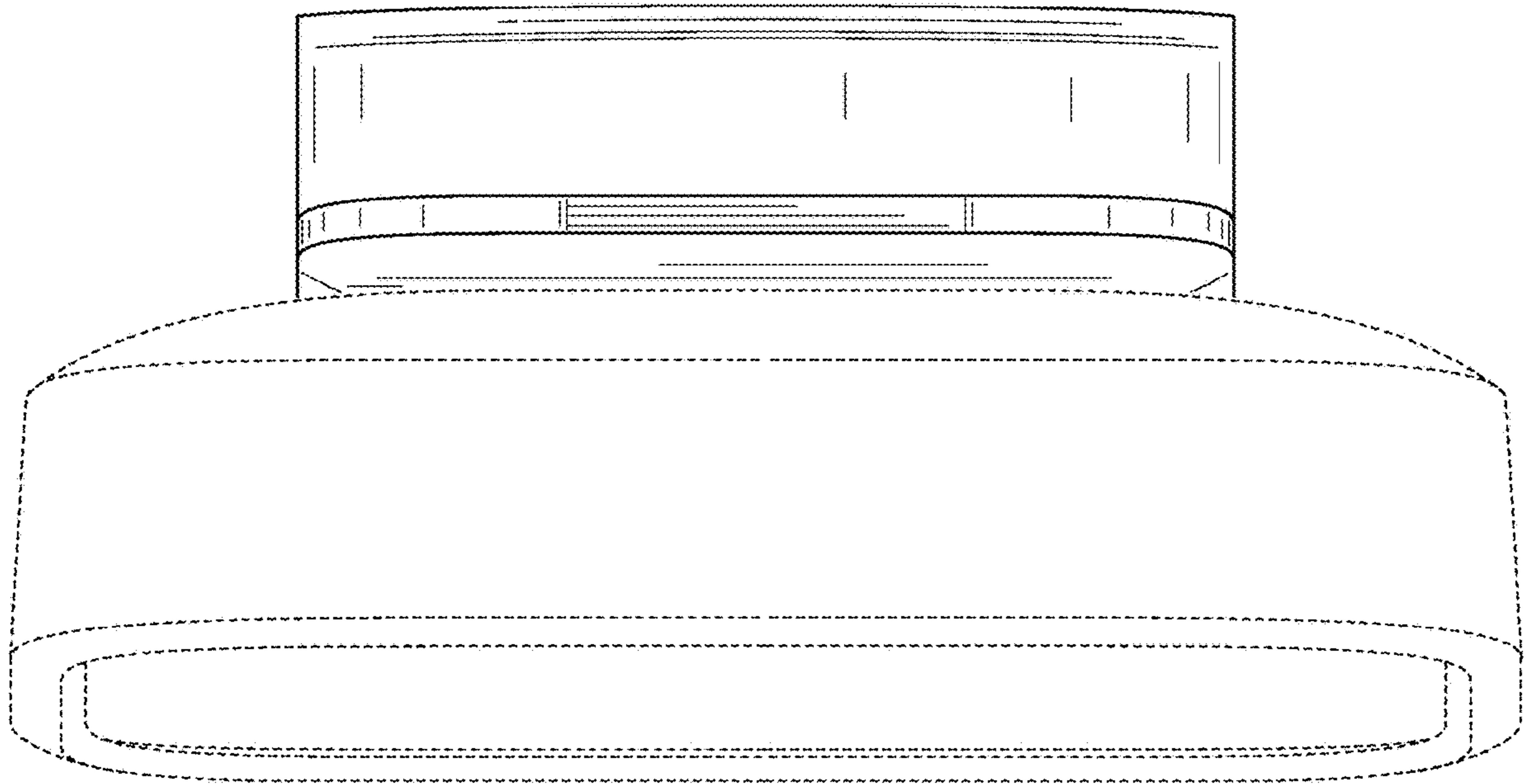


FIG. 7

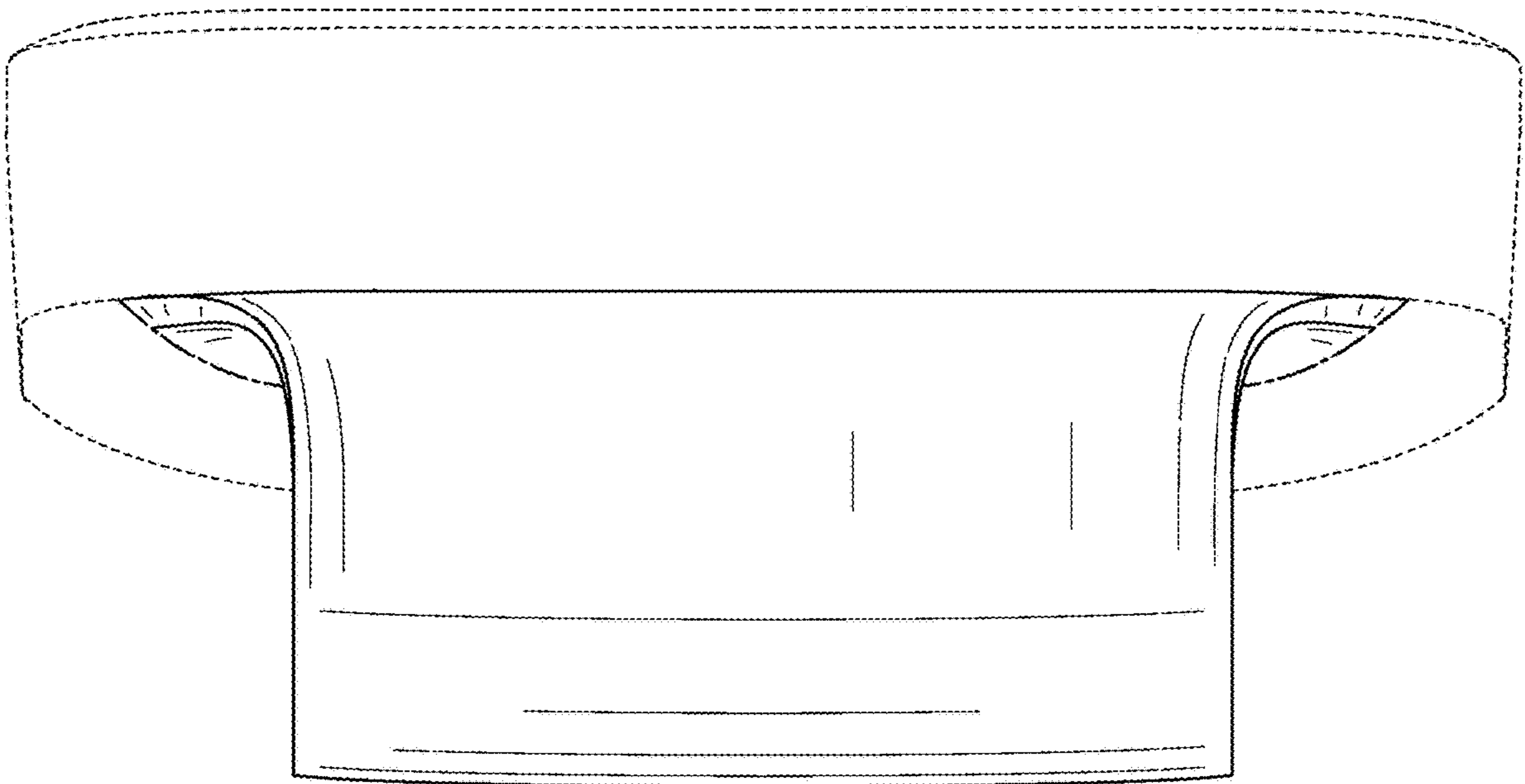


FIG. 8