



US00D871488S

(12) **United States Design Patent** (10) **Patent No.:** **US D871,488 S**
Lee et al. (45) **Date of Patent:** **** Dec. 31, 2019**

(54) **BEAM PROJECTOR**

Primary Examiner — Holly E Thurman

(71) Applicant: **LG ELECTRONICS INC.**, Seoul (KR)

(74) *Attorney, Agent, or Firm* — Birch, Stewart, Kolasch & Birch, LLP

(72) Inventors: **Eunbong Lee**, Seoul (KR); **Yongseok Kim**, Seoul (KR); **Sunggu Joe**, Seoul (KR)

(57) **CLAIM**

The ornamental design for a beam projector, as shown and described.

(73) Assignee: **LG ELECTRONICS INC.**, Seoul (KR)

DESCRIPTION

(**) Term: **15 Years**

- 1. Beam projector
- 1.1 : Perspective
- 1.2 : Front
- 1.3 : Back
- 1.4 : Left
- 1.5 : Right
- 1.6 : Top
- 1.7 : Bottom
- 1.8 : Perspective view 2
- 1.9 : Perspective view 3
- 1.10 : Front view 2
- 1.11 : Back view 2
- 1.12 : Left view 2
- 1.13 : Right view 2
- 1.14 : Top view 2
- 1.15 : Bottom view 2
- 1.16 : Perspective view 4
- 1.17 : Front view 3
- 1.18 : Back view 3
- 1.19 : Left view 3
- 1.20 : Right view 3
- 1.21 : Top view 3
- 1.22 : Bottom view 3
- 1.23 : Perspective view 5
- 1.24 : Front view 4
- 1.25 : Back view 4
- 1.26 : Left view 4
- 1.27 : Right view 4
- 1.28 : Top view 4
- 1.29 : Bottom view 4

(21) Appl. No.: **35/505,164**

(22) Filed: **Dec. 20, 2017**

(80) **Hague Agreement Data**

Int. Filing Date: **Dec. 20, 2017**

Int. Reg. No.: **DM/100559**

Int. Reg. Date: **Dec. 20, 2017**

Int. Reg. Pub. Date: **Jun. 22, 2018**

(30) **Foreign Application Priority Data**

Jun. 21, 2017 (KR) 30-2017-0028548

(51) **LOC (12) Cl.** **16-02**

(52) **U.S. Cl.**
USPC **D16/221**

(58) **Field of Classification Search**
USPC D16/221, 225, 229–231, 234–235;
D14/496, 125, 135, 188

(Continued)

(56) **References Cited**

U.S. PATENT DOCUMENTS

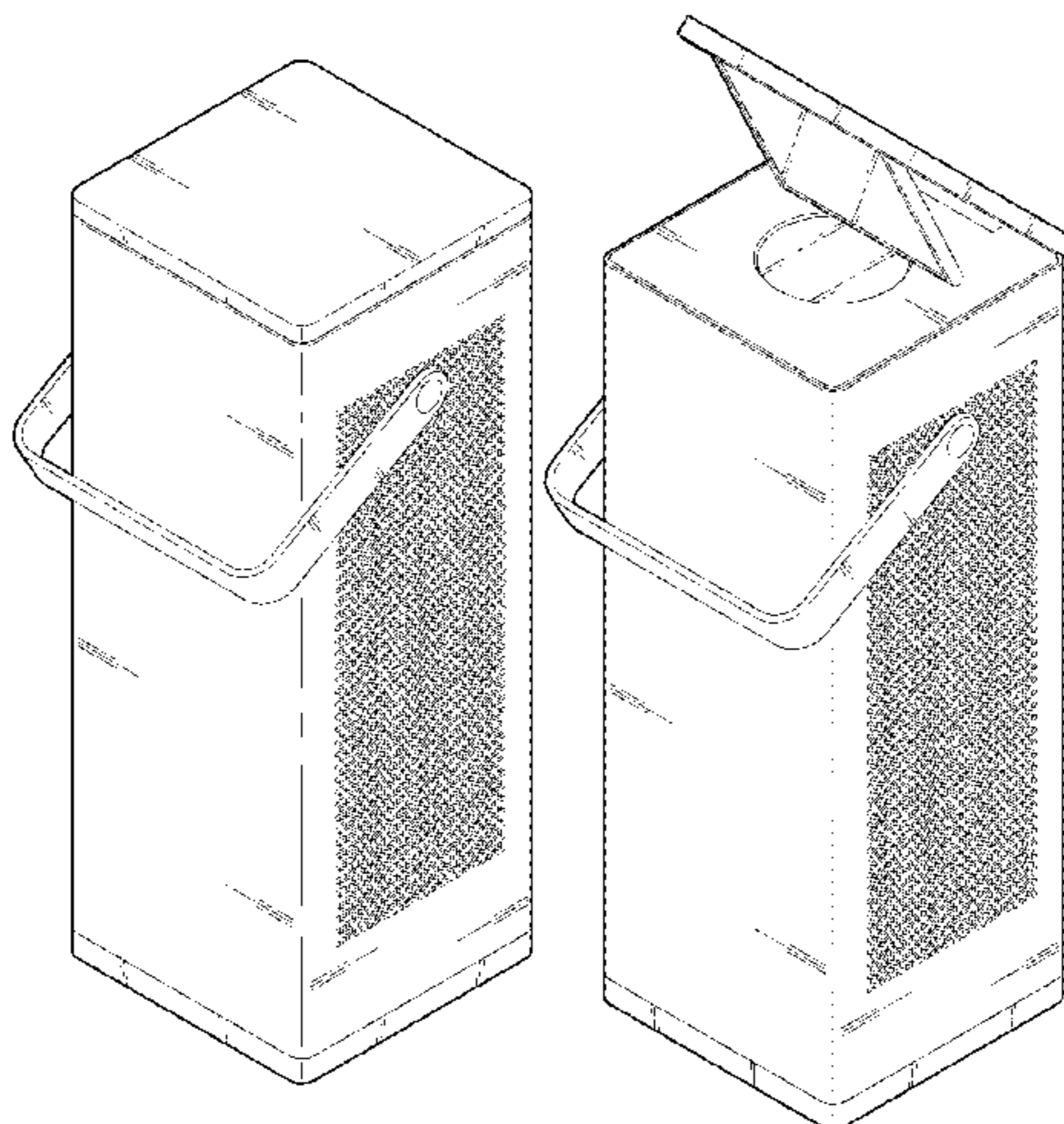
D382,002 S * 8/1997 Hix D16/225

D526,640 S * 8/2006 Chin D14/188

(Continued)

The broken lines depict portions of the beam projector that form no part of the claimed design. Reproduction 1.1 is a front perspective view of the beam projector; reproductions 1.2 to 1.8 are the front, back, left, right, top, bottom and back

(Continued)



perspective views of reproduction 1.1; reproduction 1.9 is a perspective view thereof in a condition that the top cover has been opened at 45 degrees; reproductions 1.10 to 1.15 are the front, back, left, right, top and bottom views of reproduction 1.9; reproduction 1.16 is a perspective view of reproduction 1.1 in a condition that the top cover has been opened at 90 degrees; reproductions 1.17 to 1.22 are the front, back, left, right, top and bottom views of reproduction 1.16; reproduction 1.23 is a perspective view of reproduction 1.16 in a condition that the top cover has been rotated downward by 180 degrees; and reproductions 1.24 to 1.29 are the front, back, left, right, top and bottom views of reproduction 1.23. This design is for a vertical type beam projector, which can be erected without auxiliary tools such as a tripod, and is equipped with a handle for easily carrying. As shown in reproduction 1.9 to 1.29, the design has a lens at the top part of the main body and a reflector at the inside of the top cover, so that the screen can be projected to the front or ceiling according to the angle of the top cover, and also can adjust the height of the projected screen. This design has a cable auto loader and storage box at the bottom of the rear side, so user can store the cables, media storage or remote controls in the box.

1 Claim, 29 Drawing Sheets

(58) **Field of Classification Search**

CPC G03B 21/00; G03B 21/001; G03B 21/003;
G03B 21/12; G03B 21/14; G03B 21/145

See application file for complete search history.

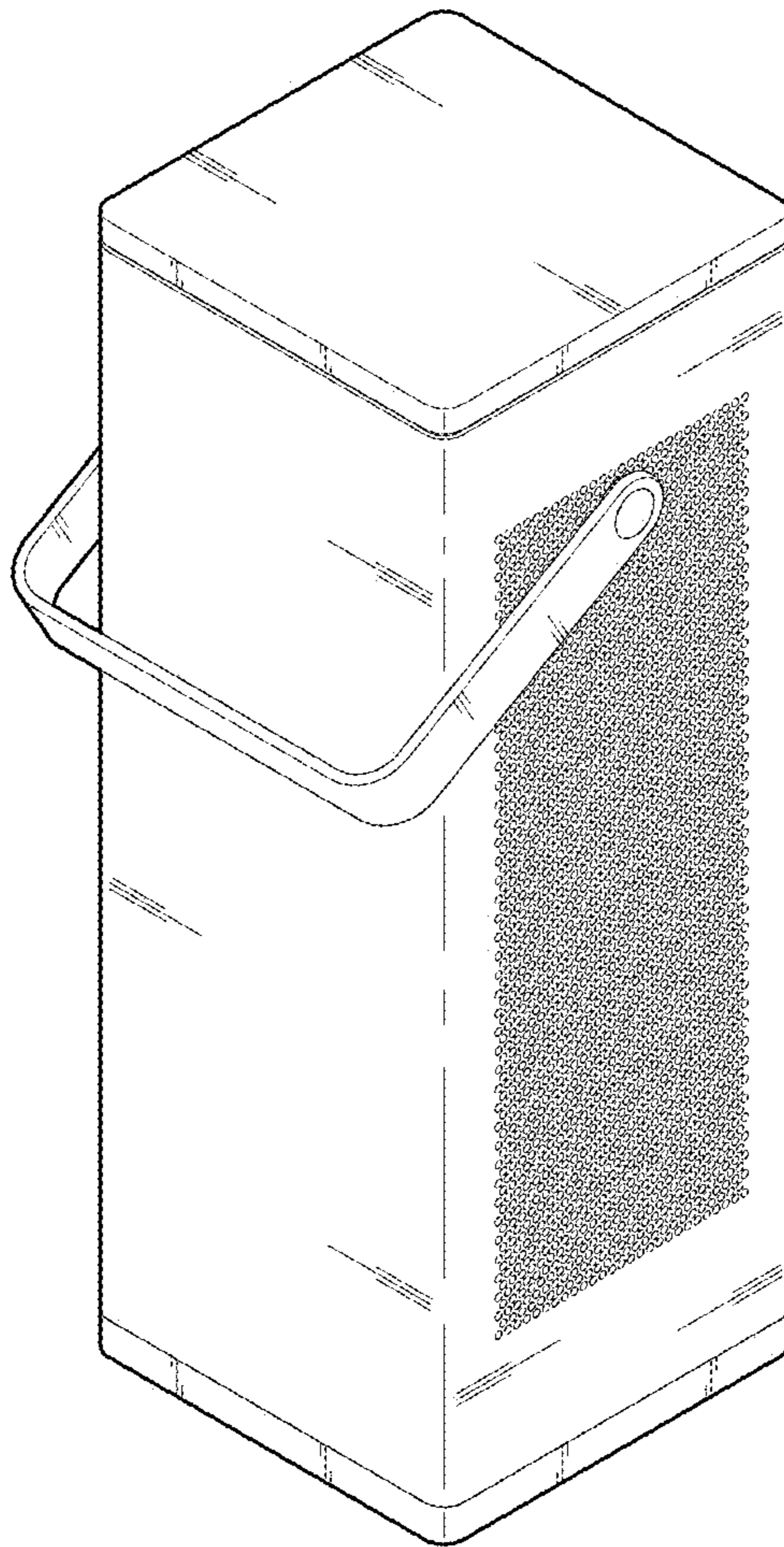
(56) **References Cited**

U.S. PATENT DOCUMENTS

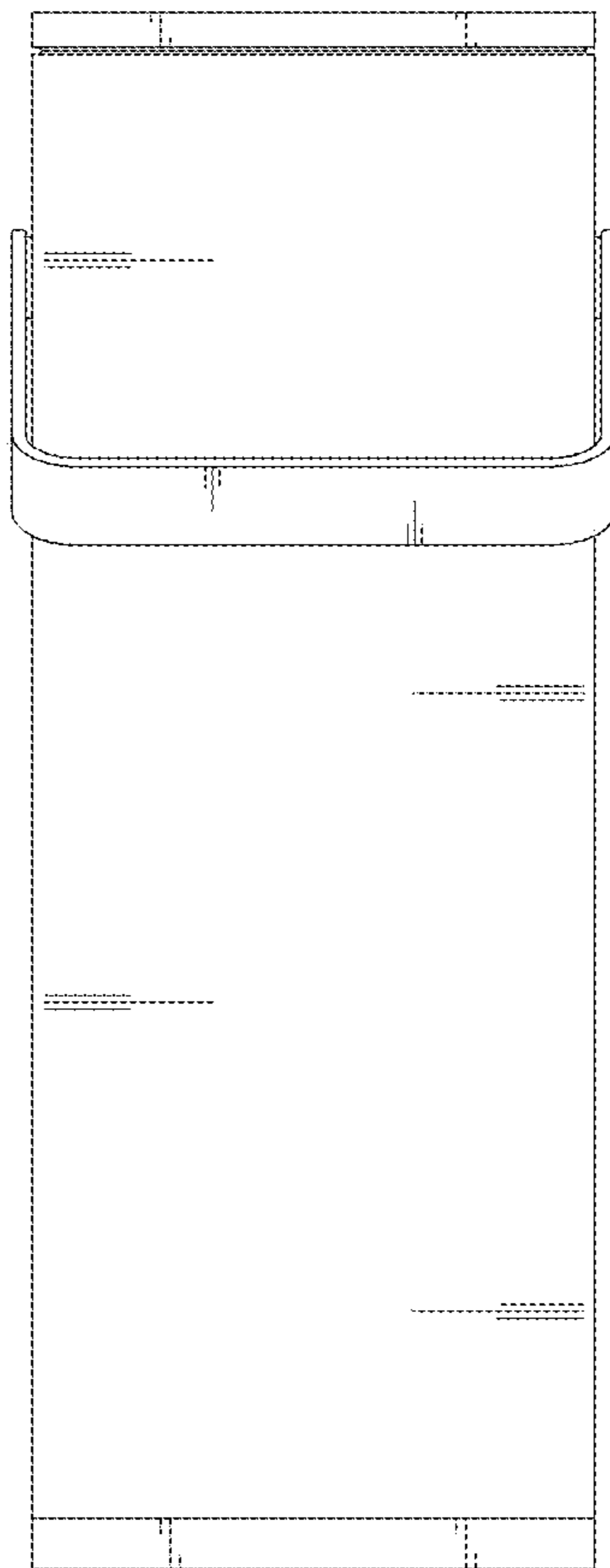
D542,827	S	*	5/2007	Ebihara	D10/62
D565,080	S	*	3/2008	Ishikawa	D16/221
D565,081	S	*	3/2008	Ishikawa	D16/221
D690,280	S	*	9/2013	Schul	D14/168
D722,053	S	*	2/2015	Wang	D14/358
D773,549	S	*	12/2016	Tompkin	D16/225
D804,460	S	*	12/2017	Li	D14/242
D820,899	S	*	6/2018	Shiono	D16/221
D825,551	S	*	8/2018	Akana	D14/314
D826,296	S	*	8/2018	Noorazar	D15/122
D837,182	S	*	1/2019	Elmieh	D14/204
D838,768	S	*	1/2019	Lu	D16/230
2005/0162545	A1	*	7/2005	Jeon	H04N 5/2252 348/373

* cited by examiner

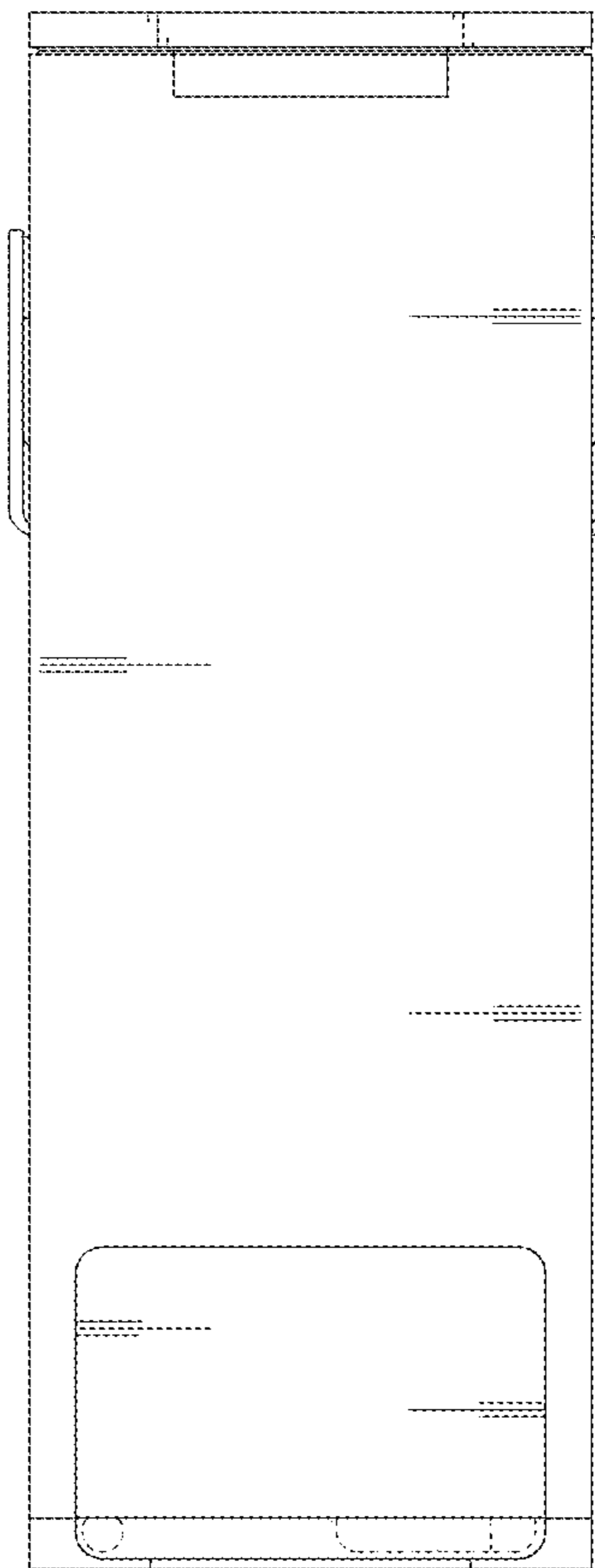
1.1



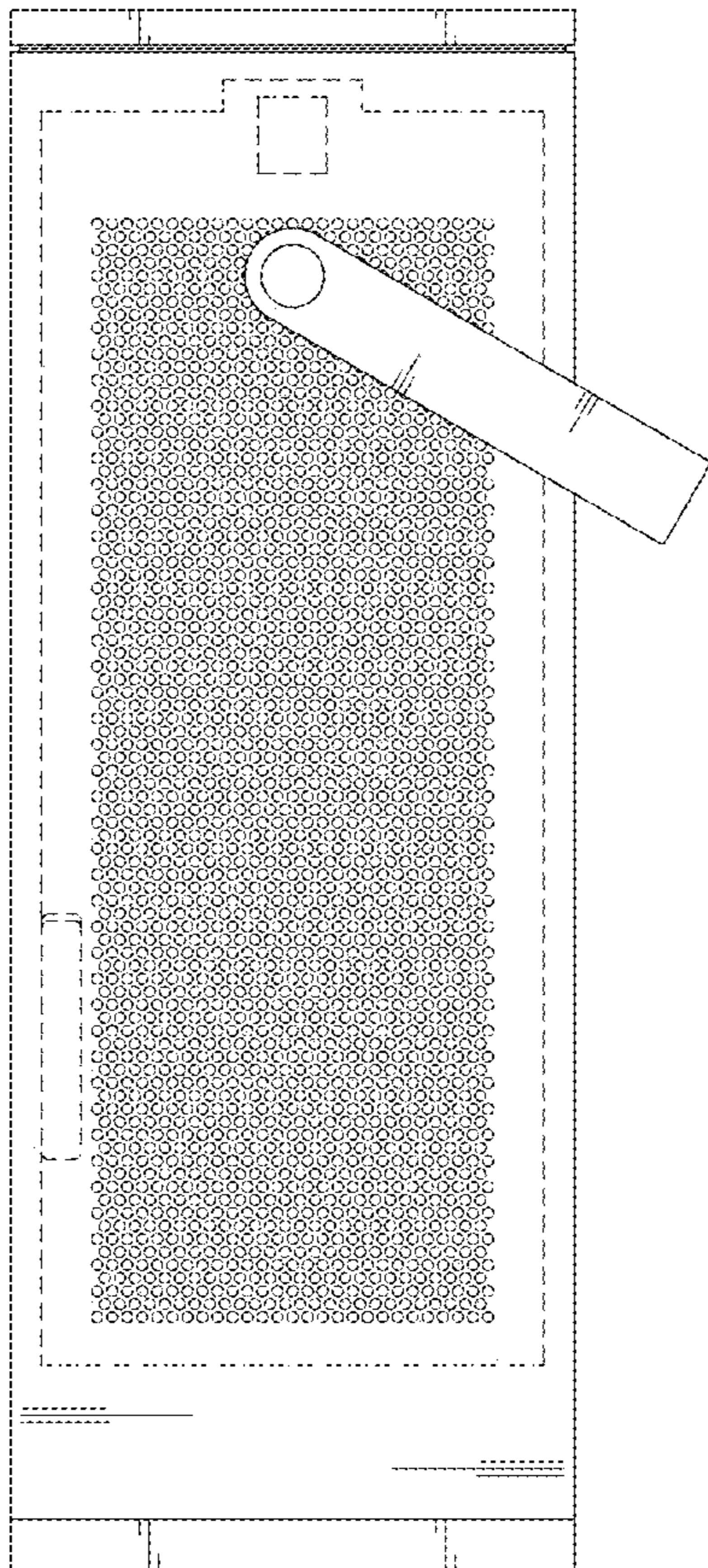
1.2



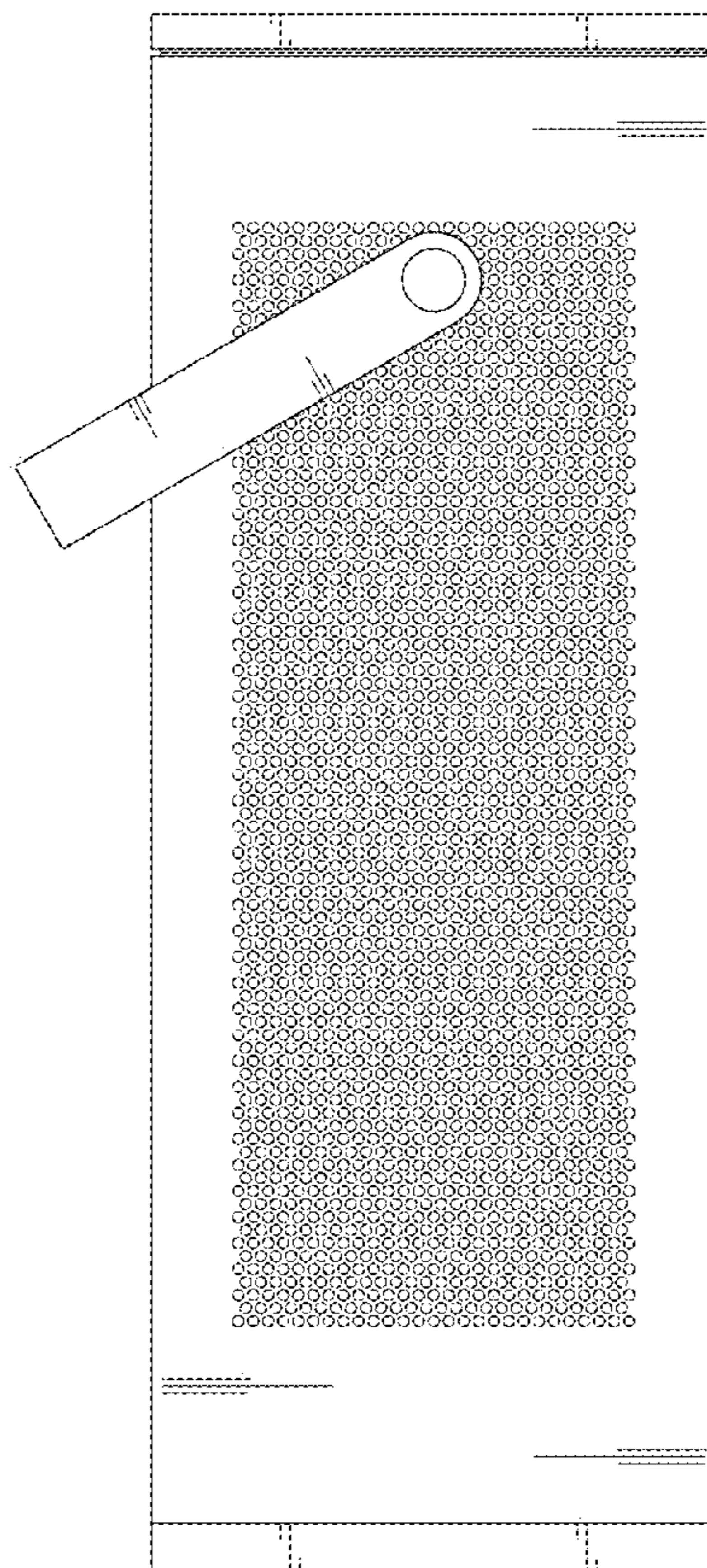
1.3



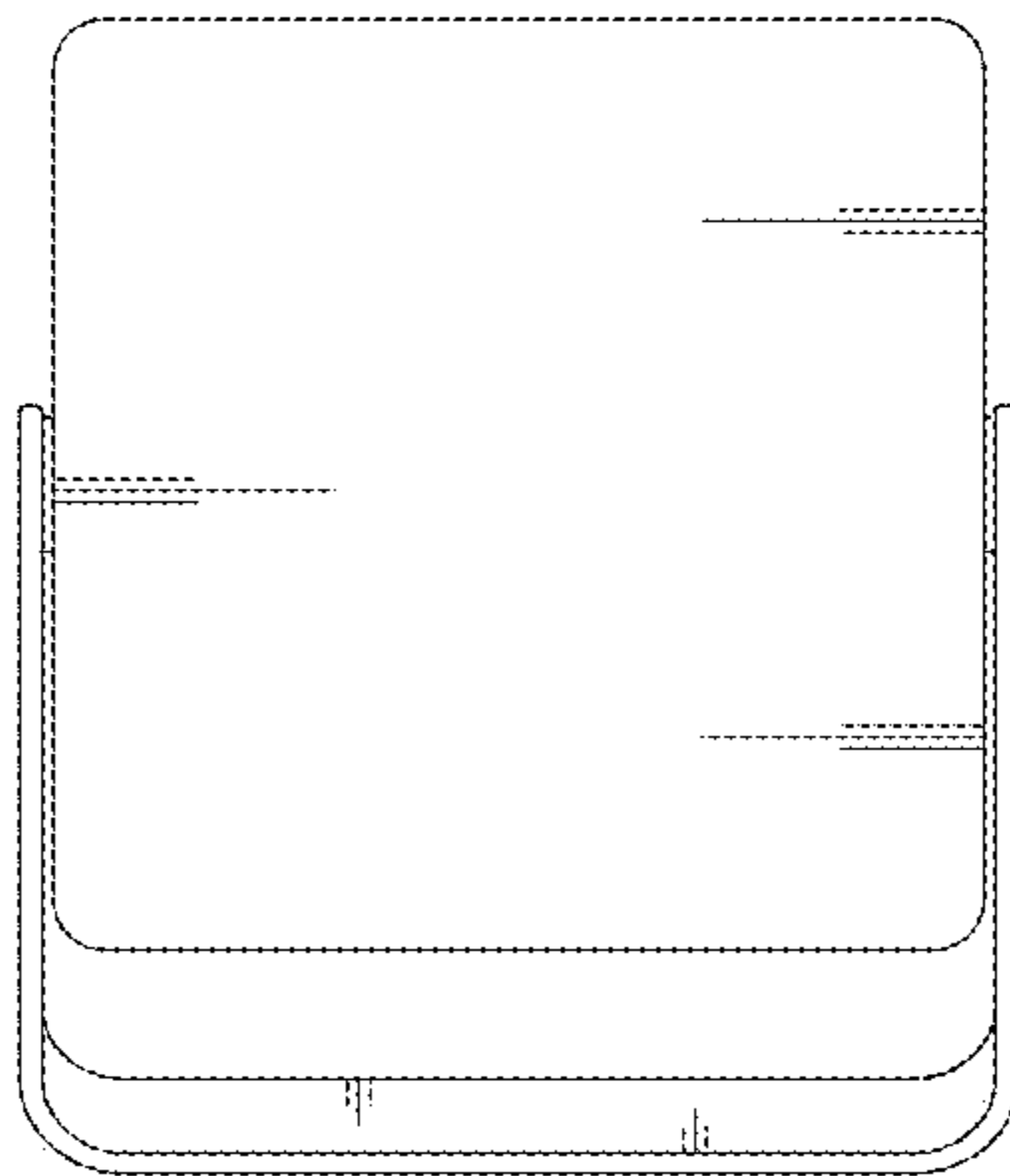
1.4



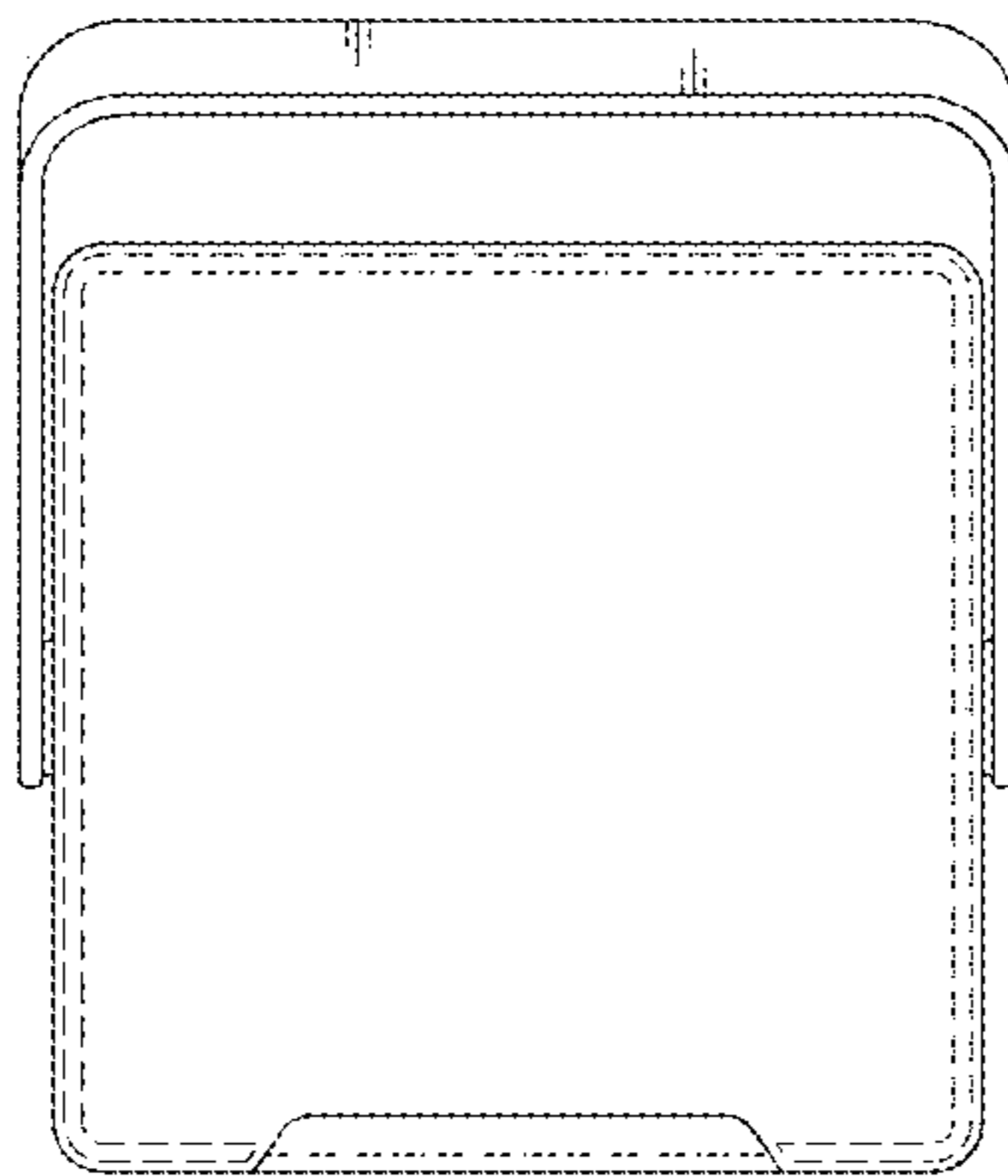
1.5



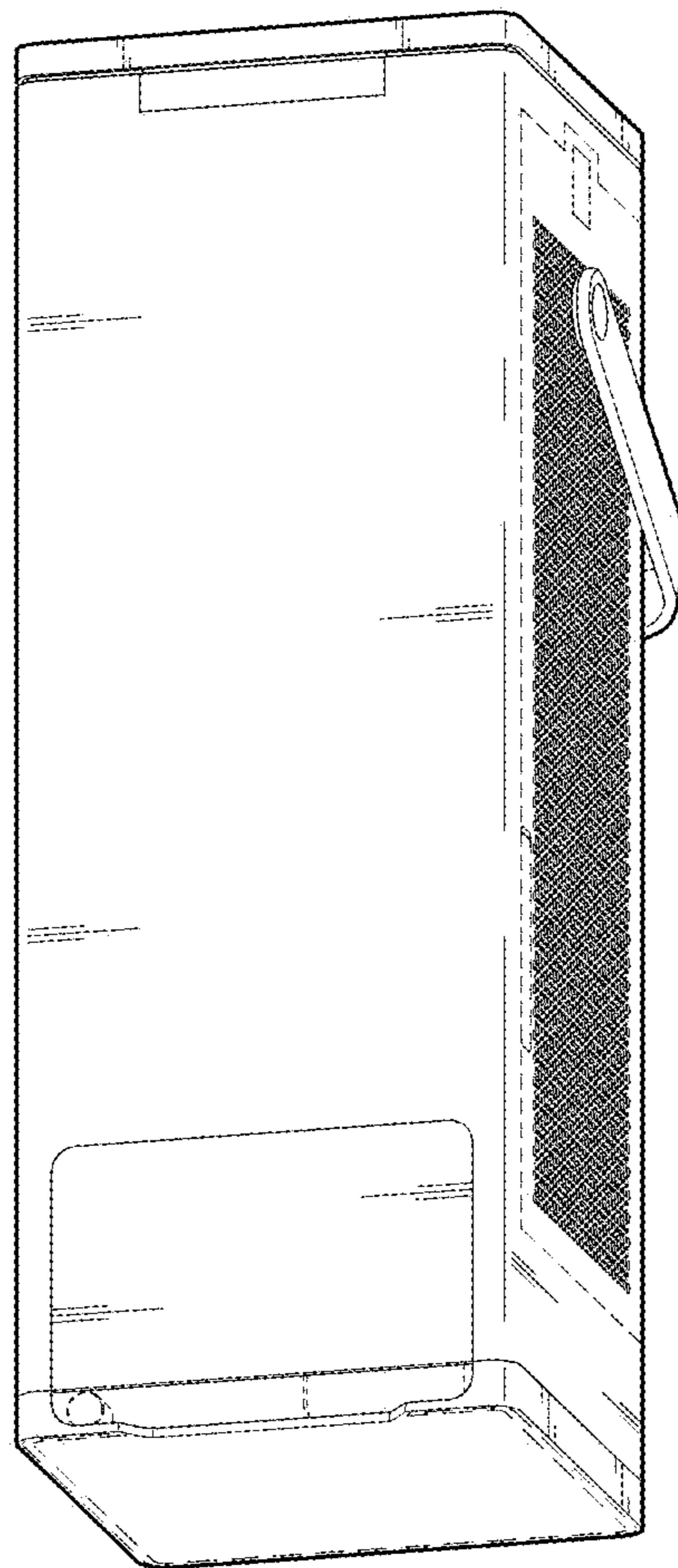
1.6



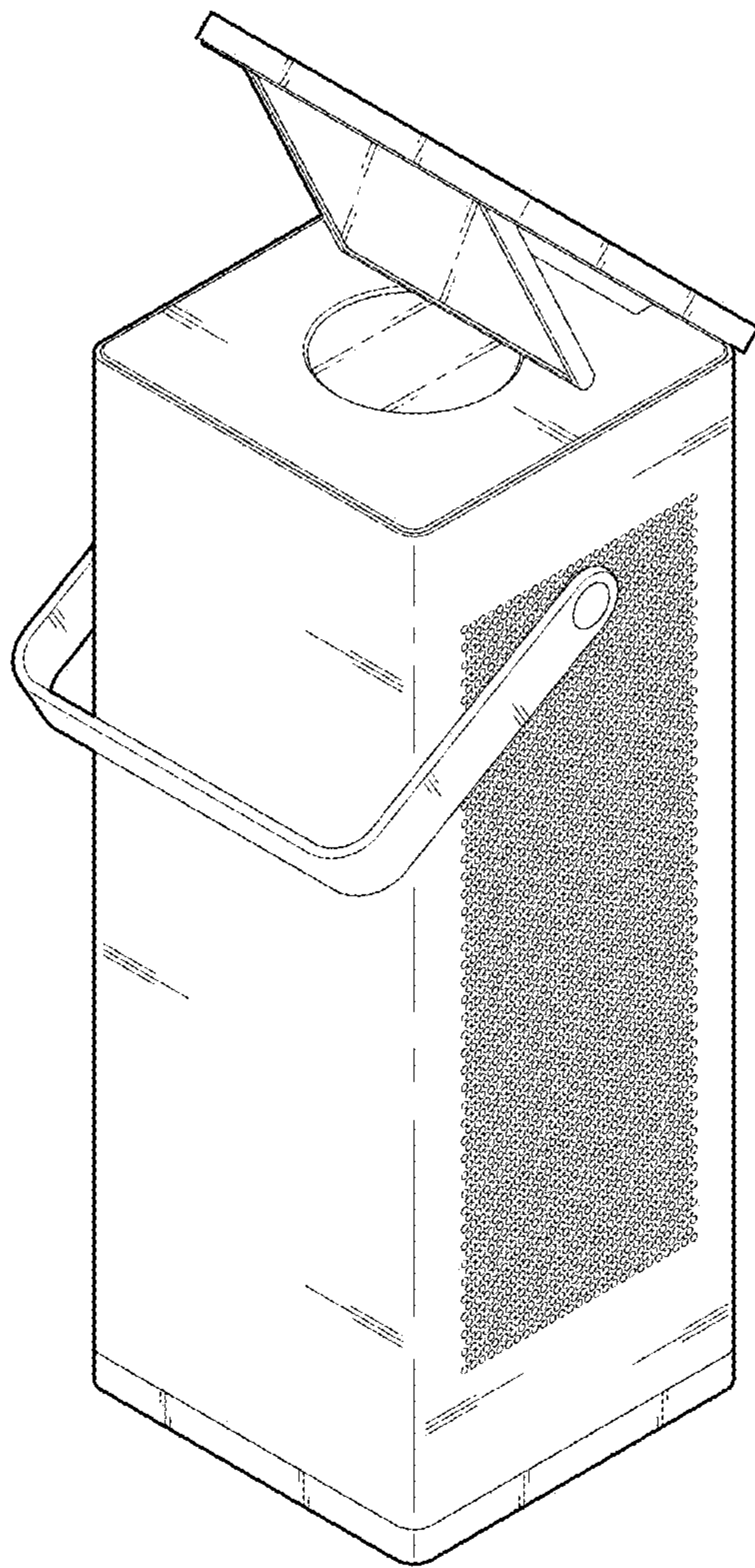
1.7



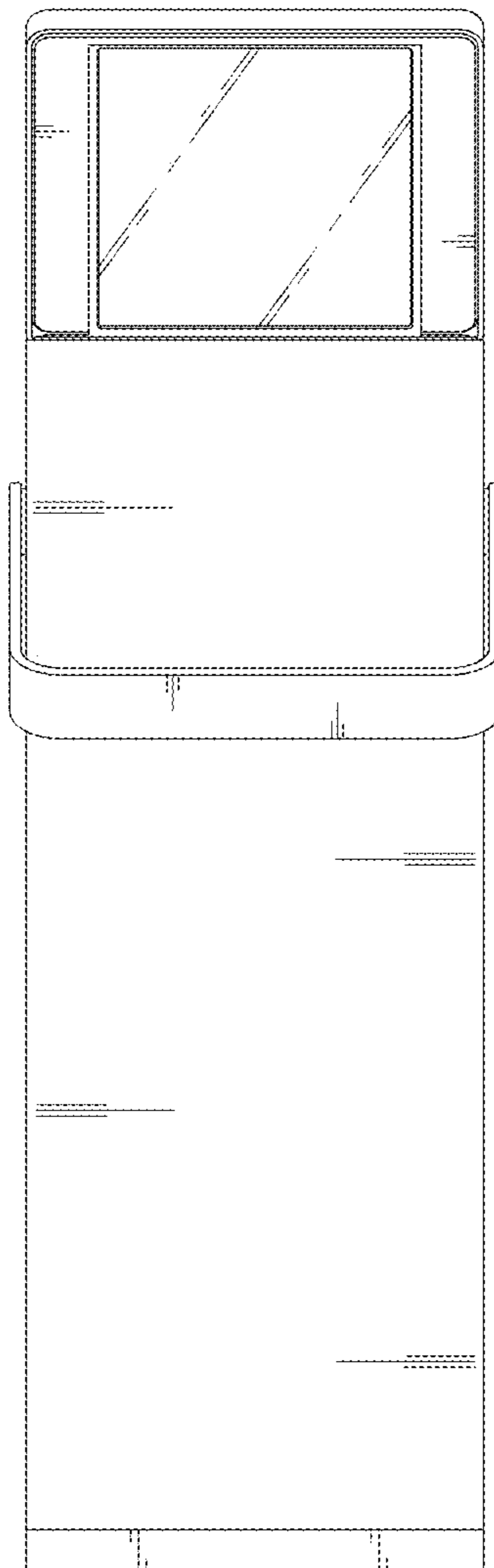
1.8



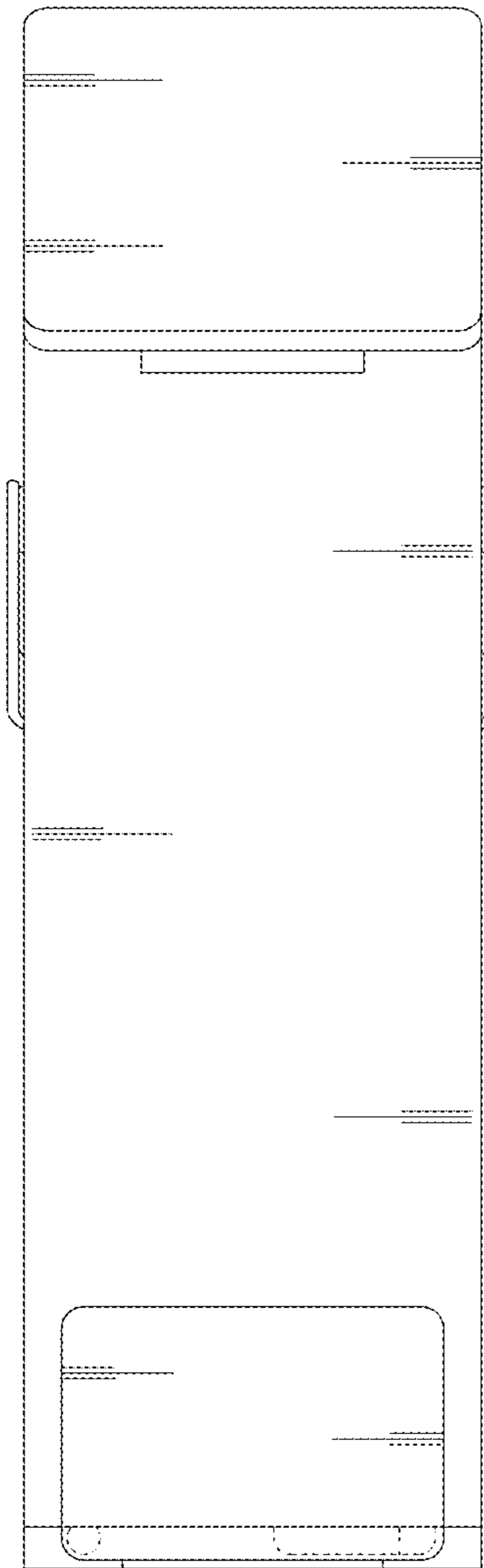
1.9



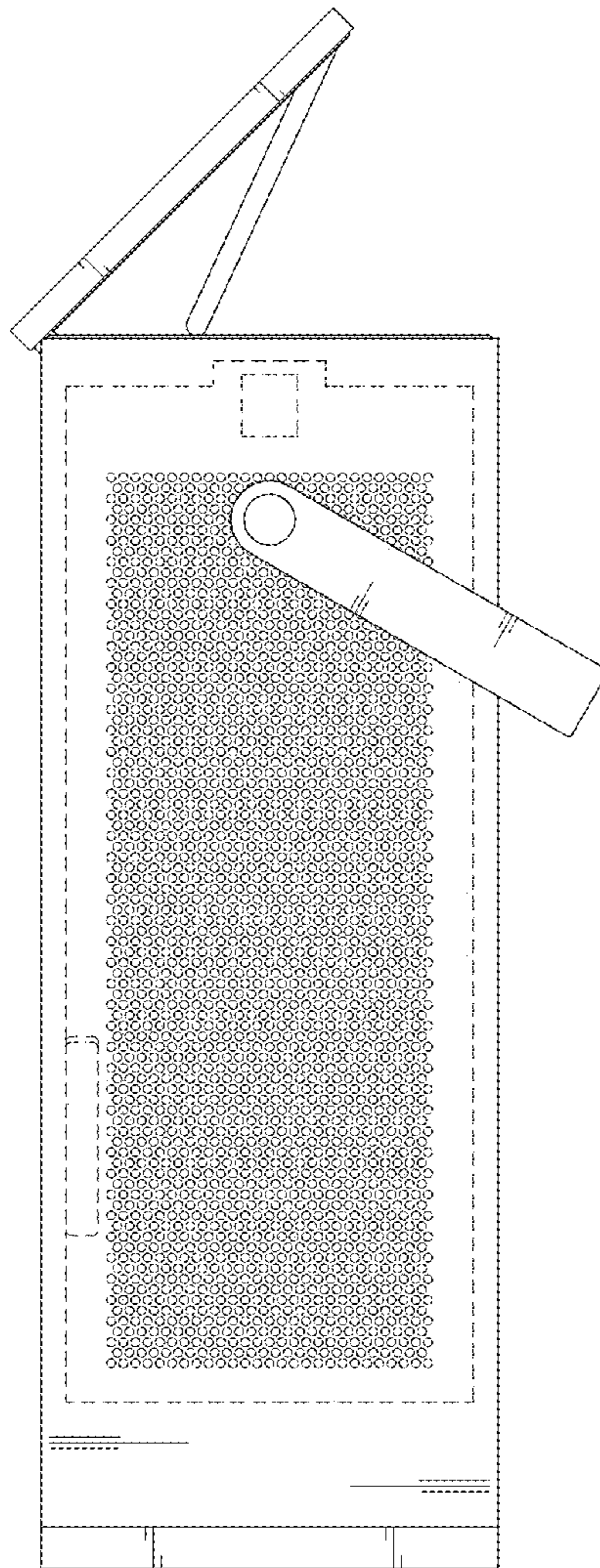
1.10



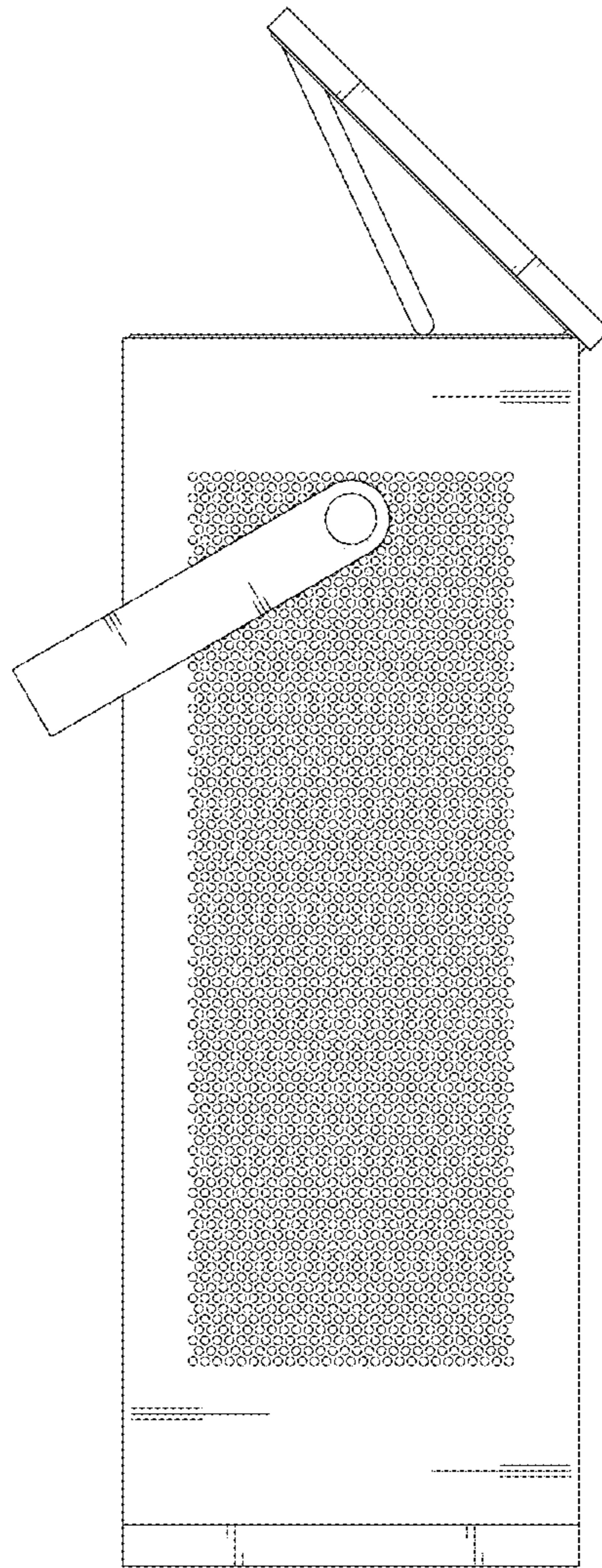
1.11



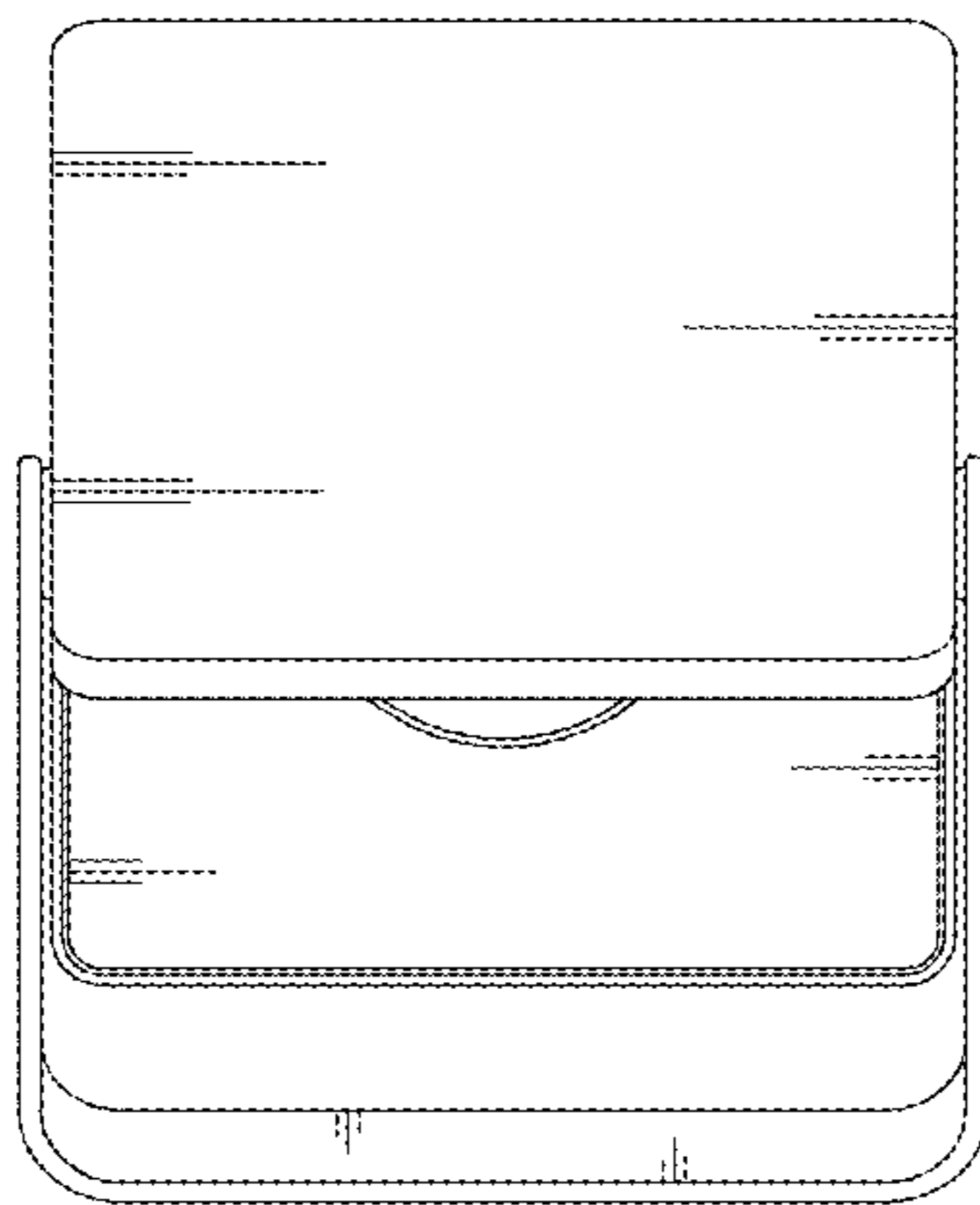
1.12



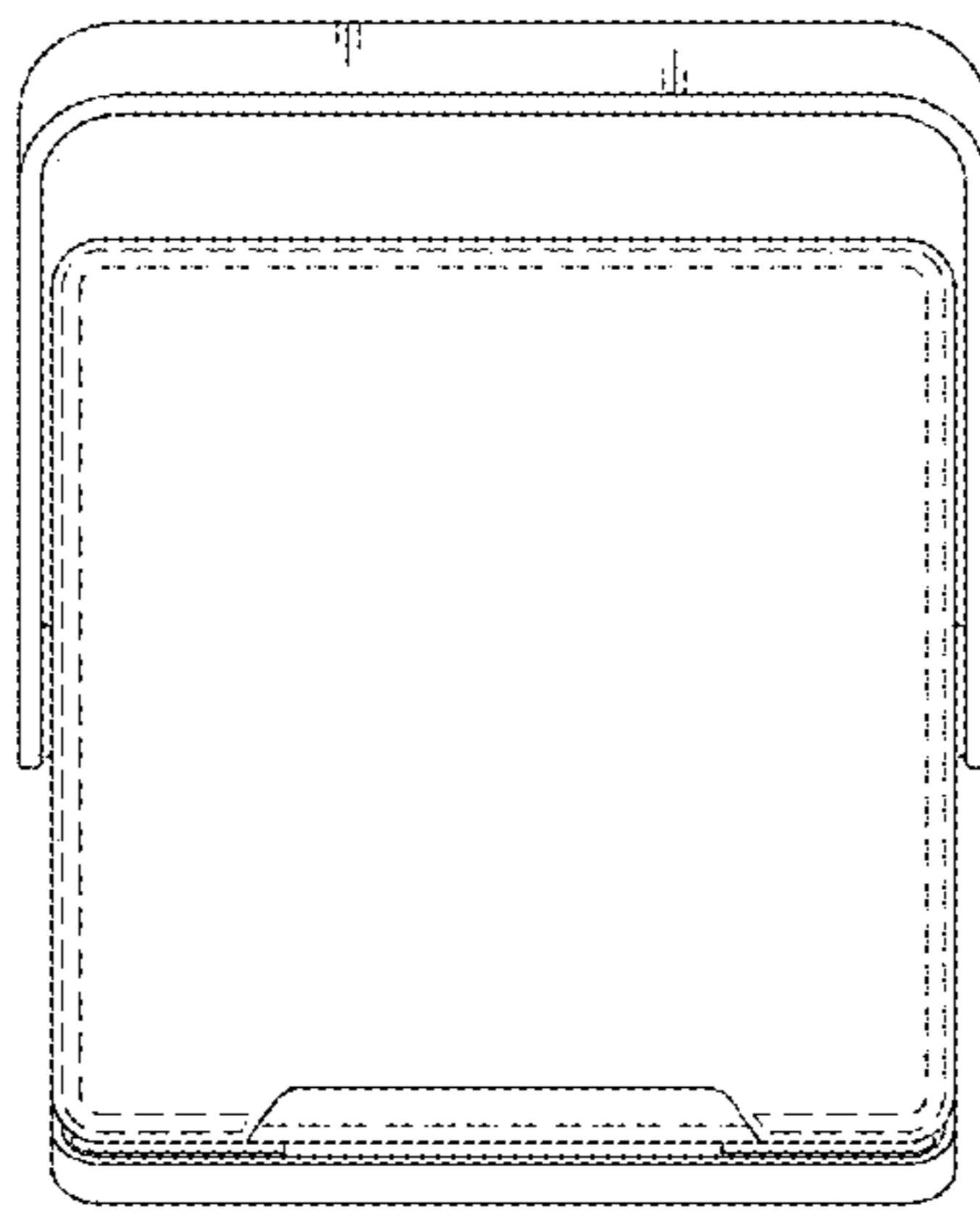
1.13



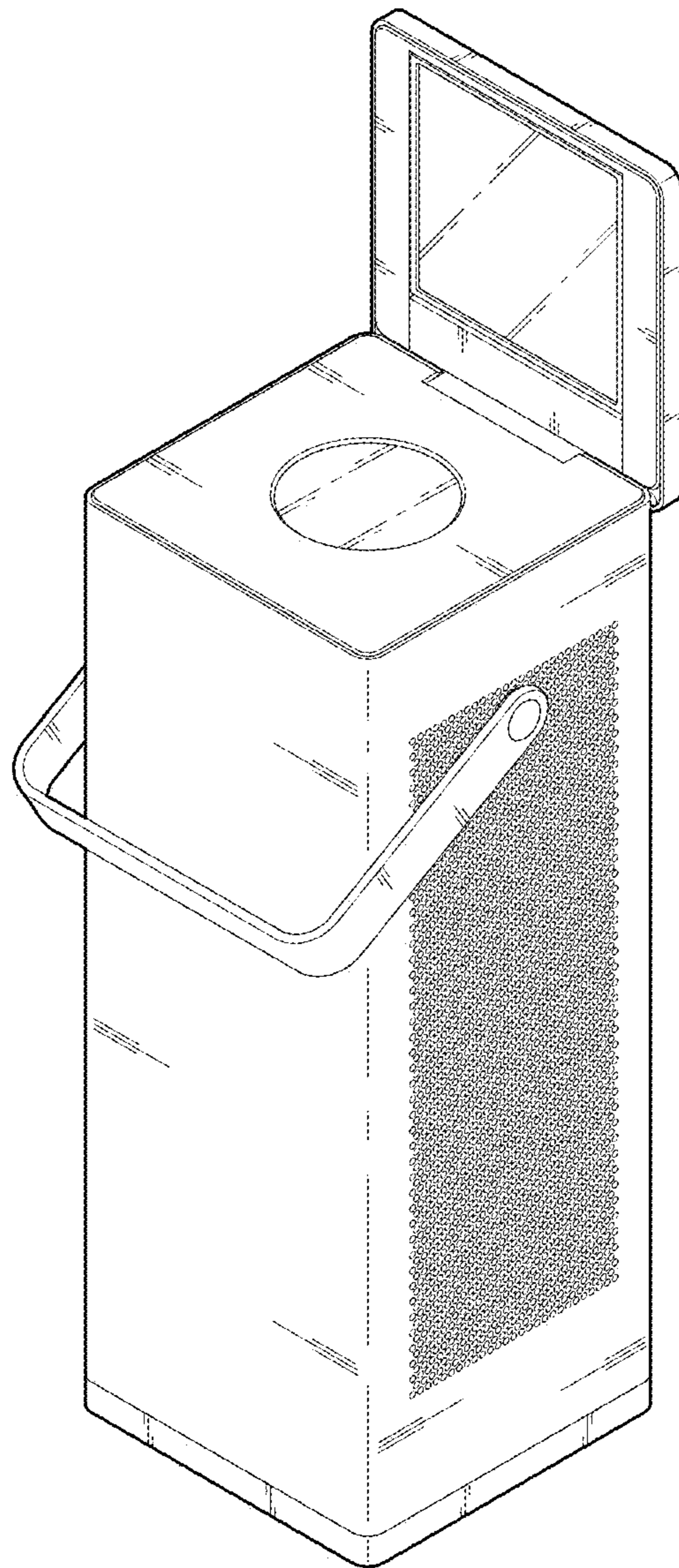
1.14



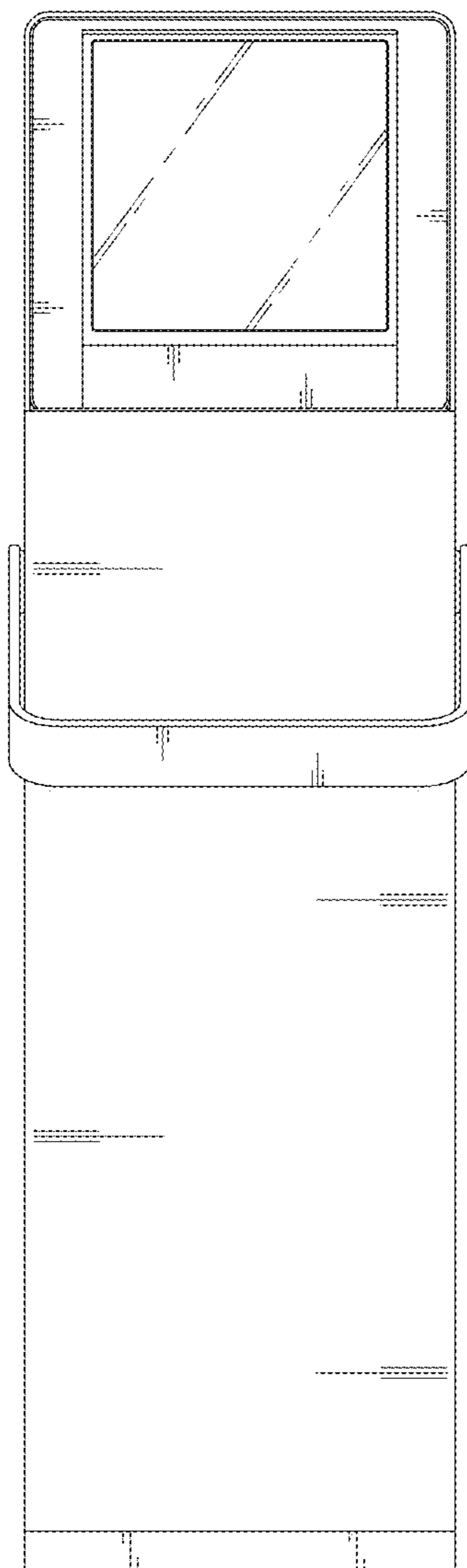
1.15



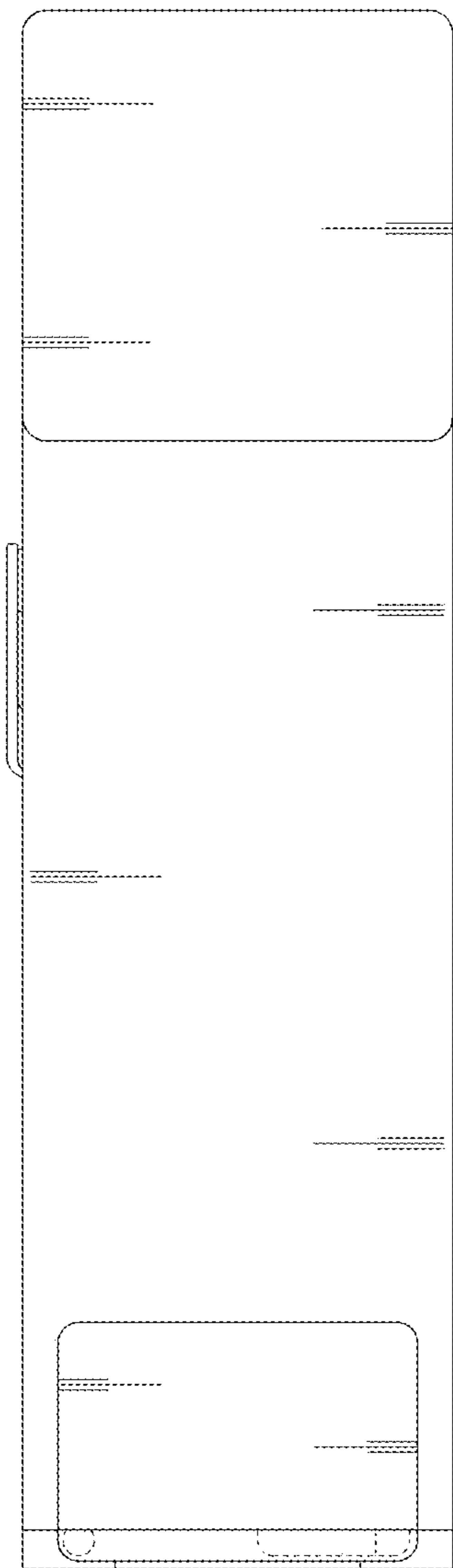
1.16



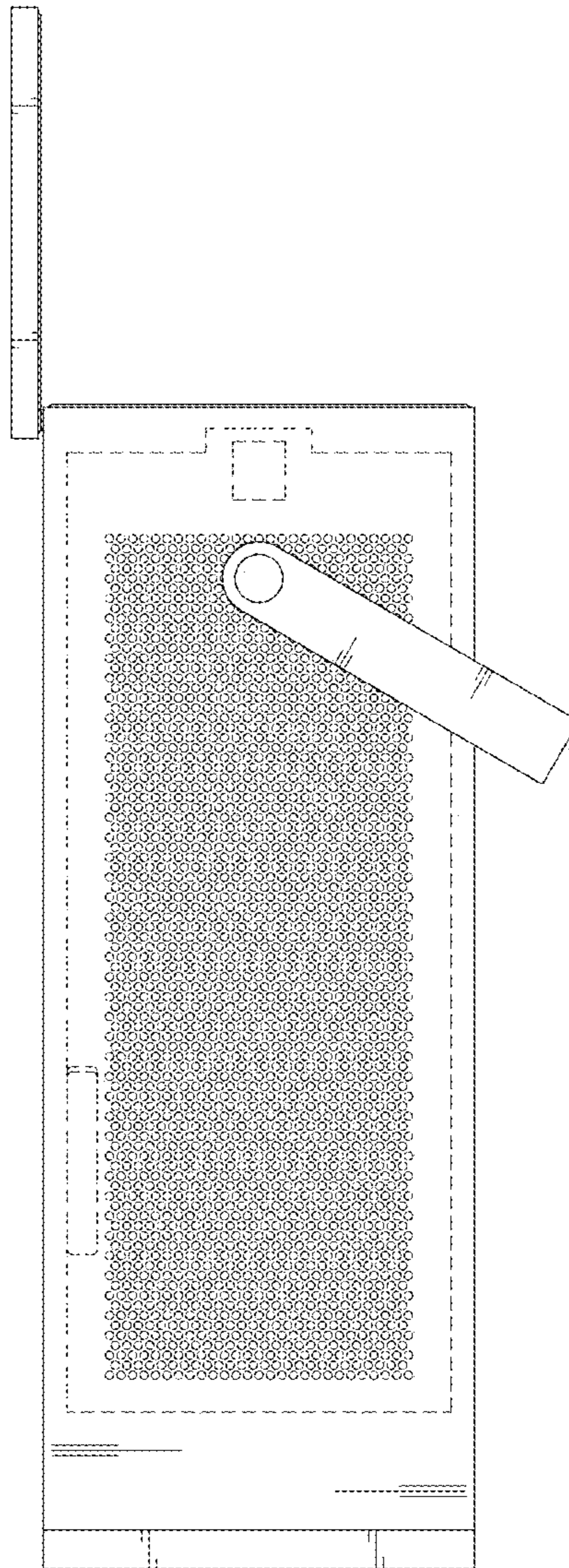
1.17



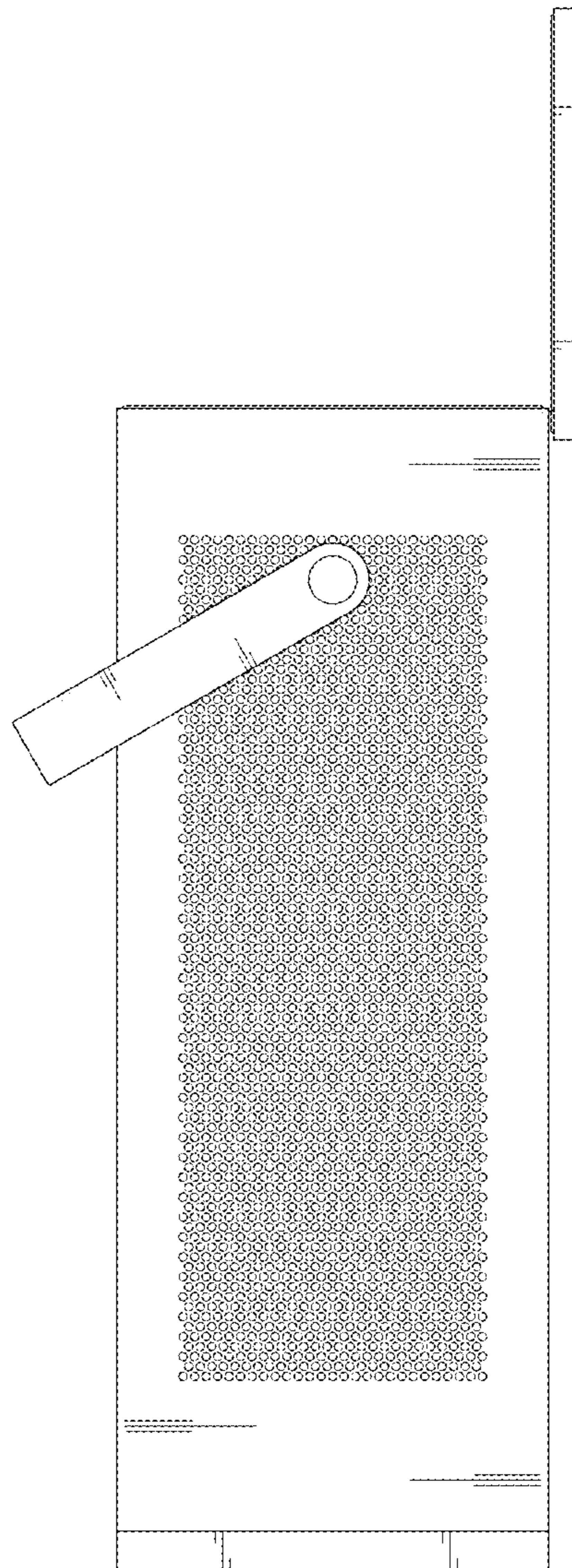
1.18



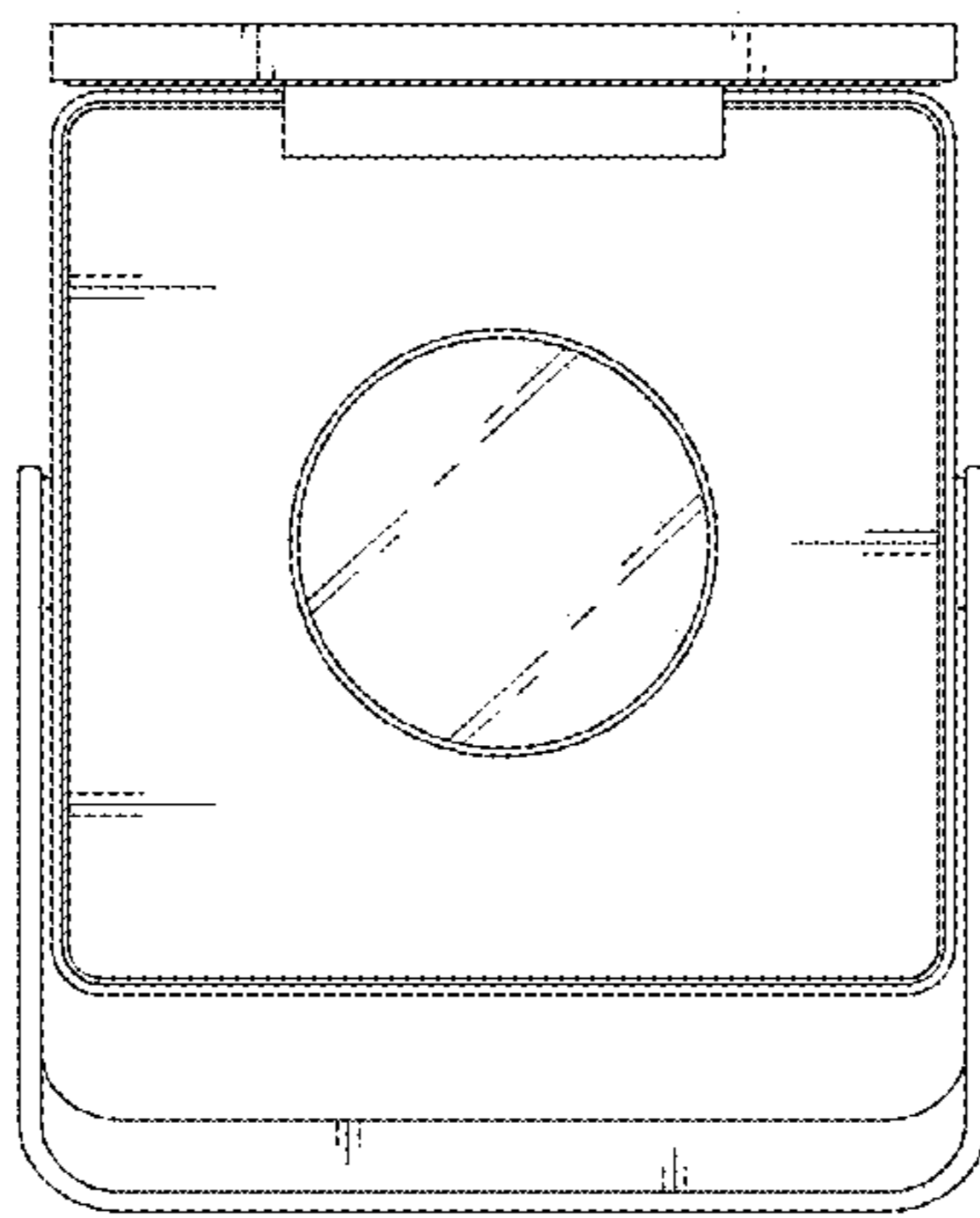
1.19



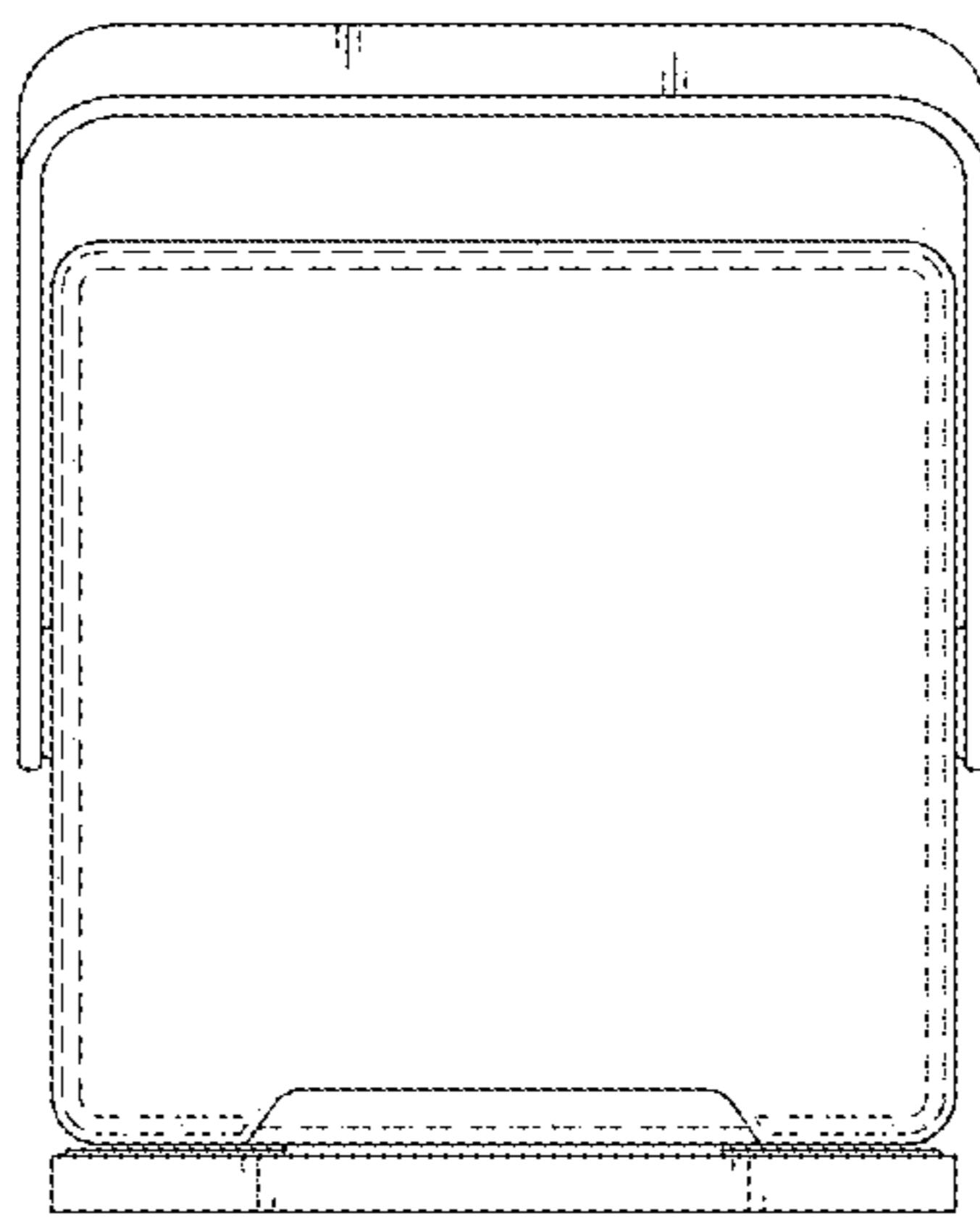
1.20



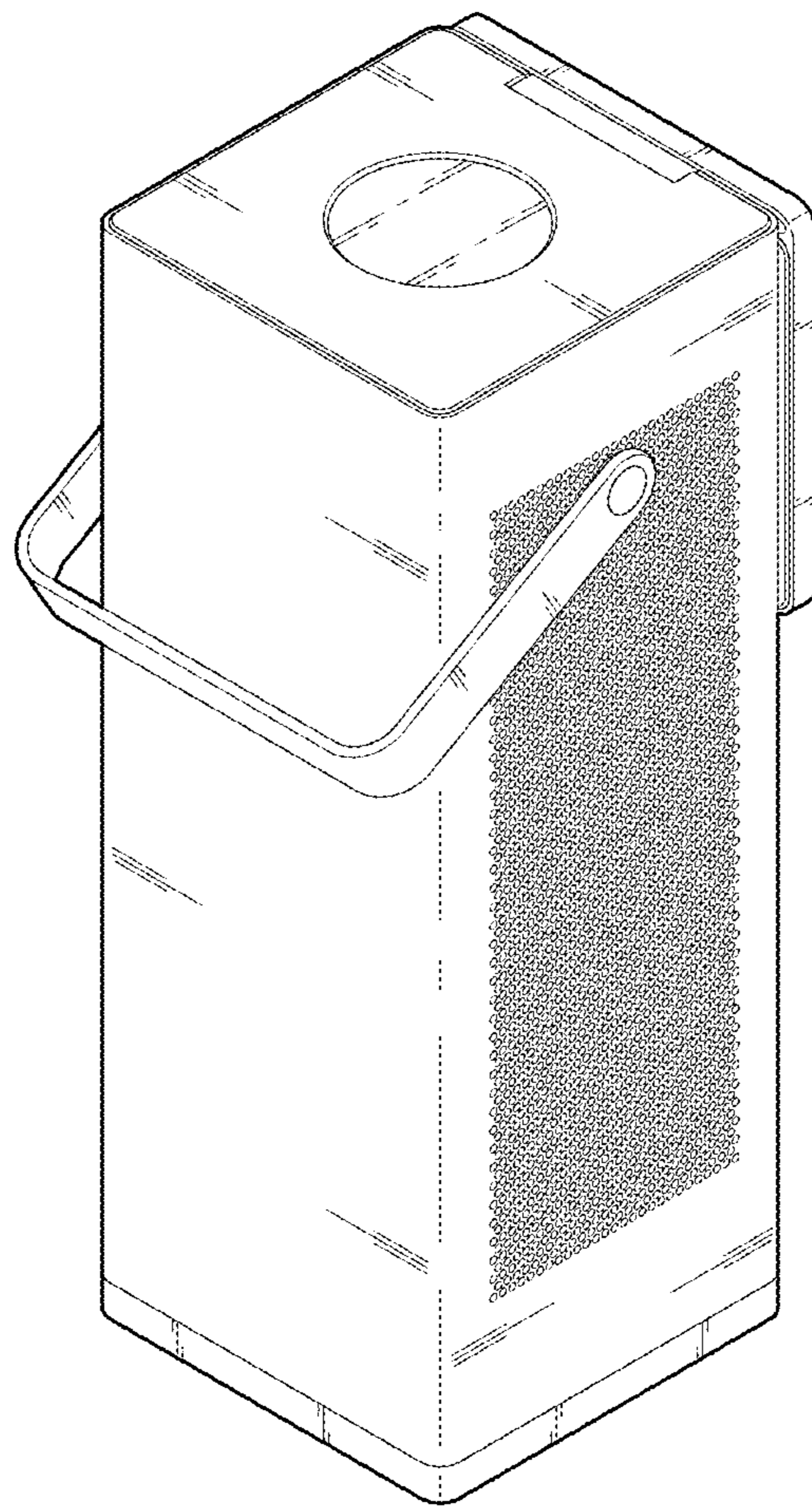
1.21



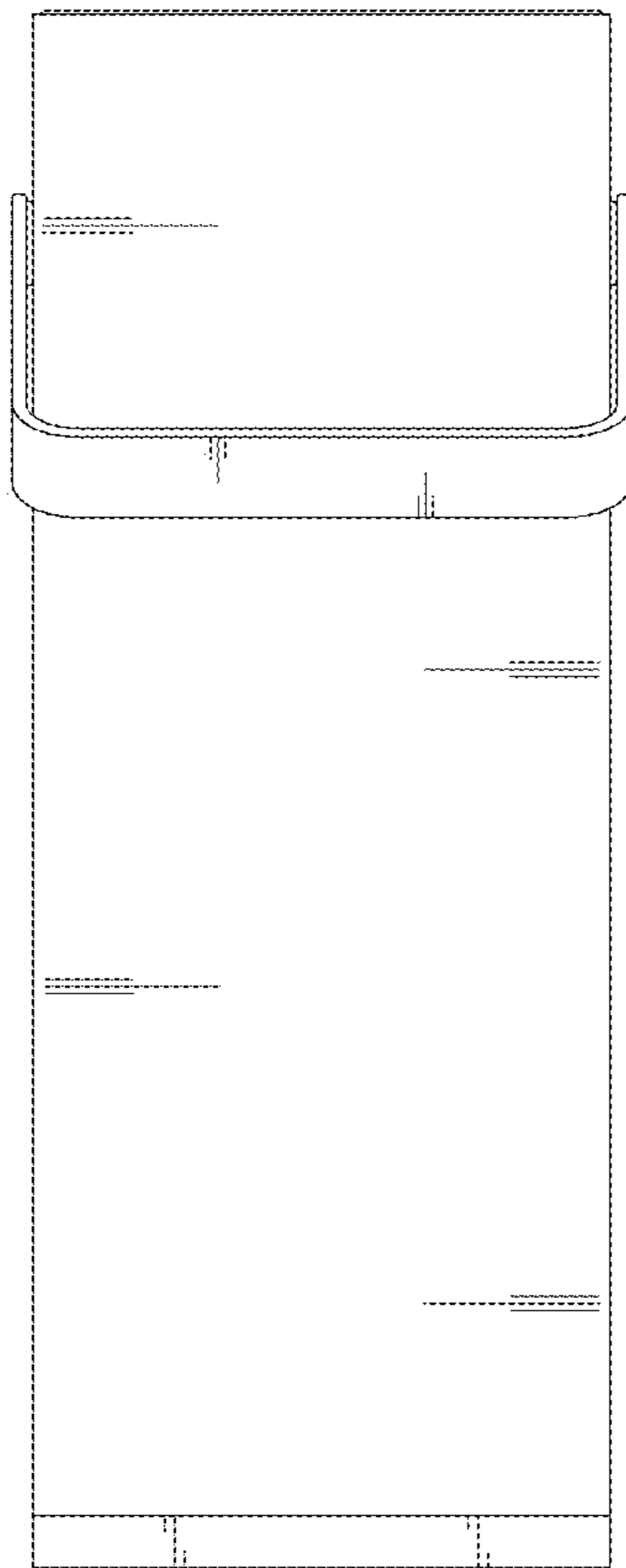
1.22



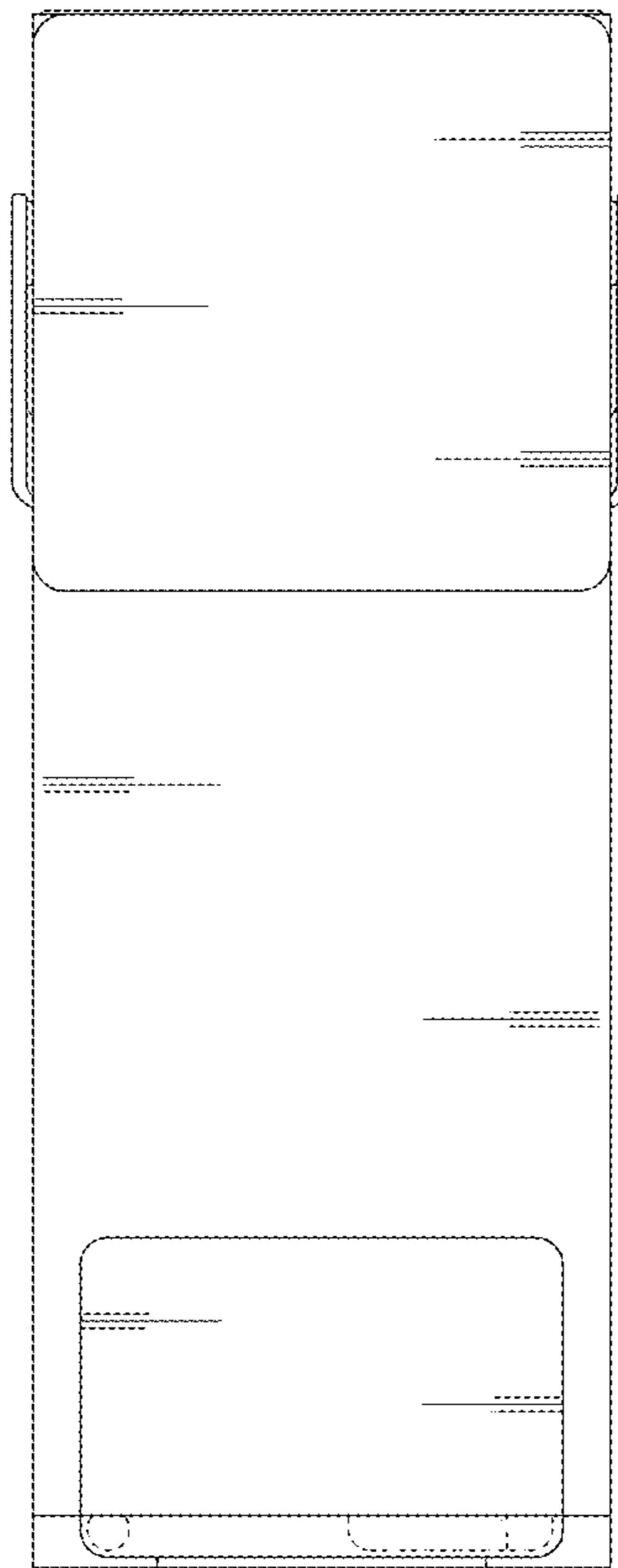
1.23



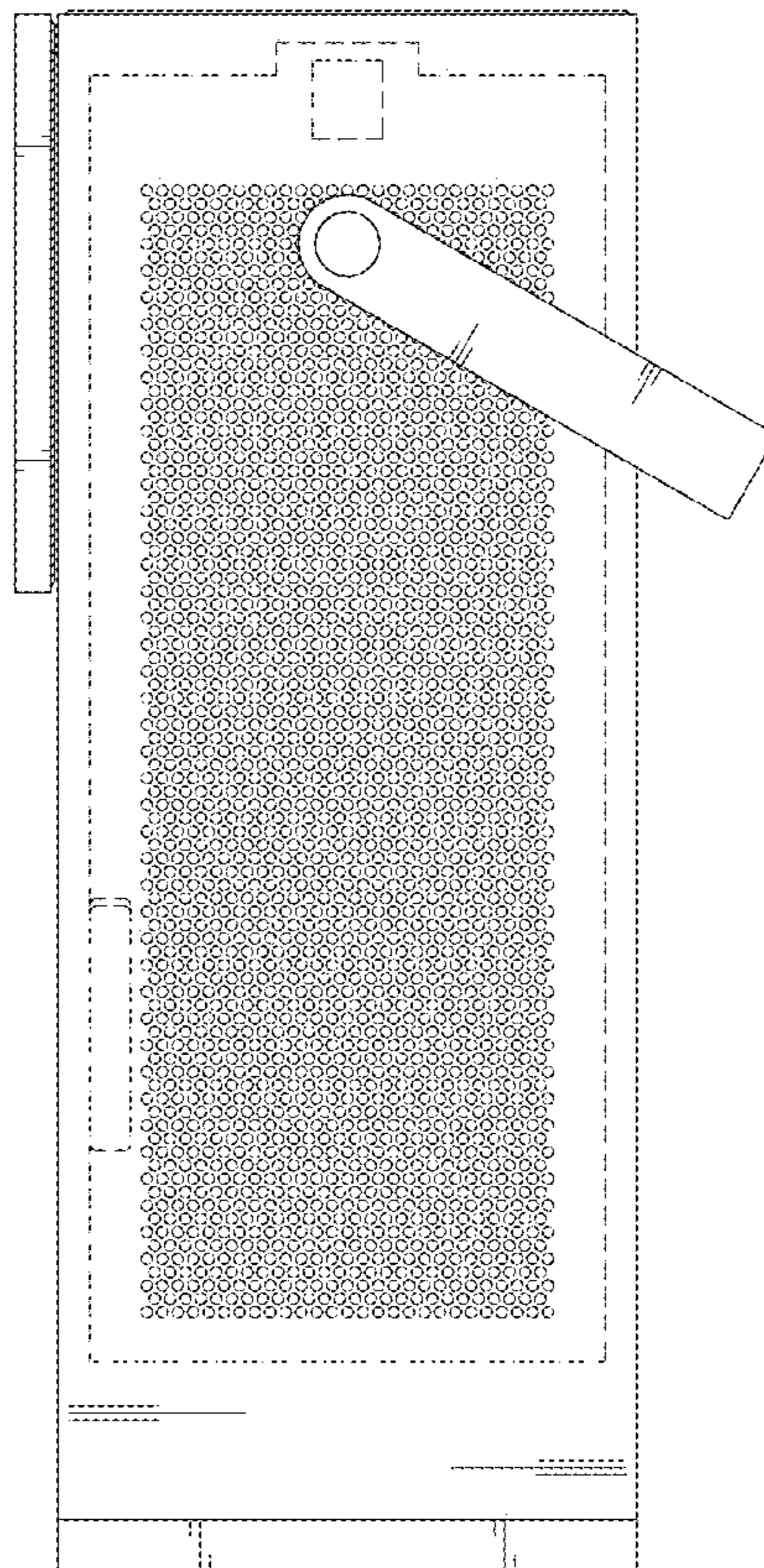
1.24



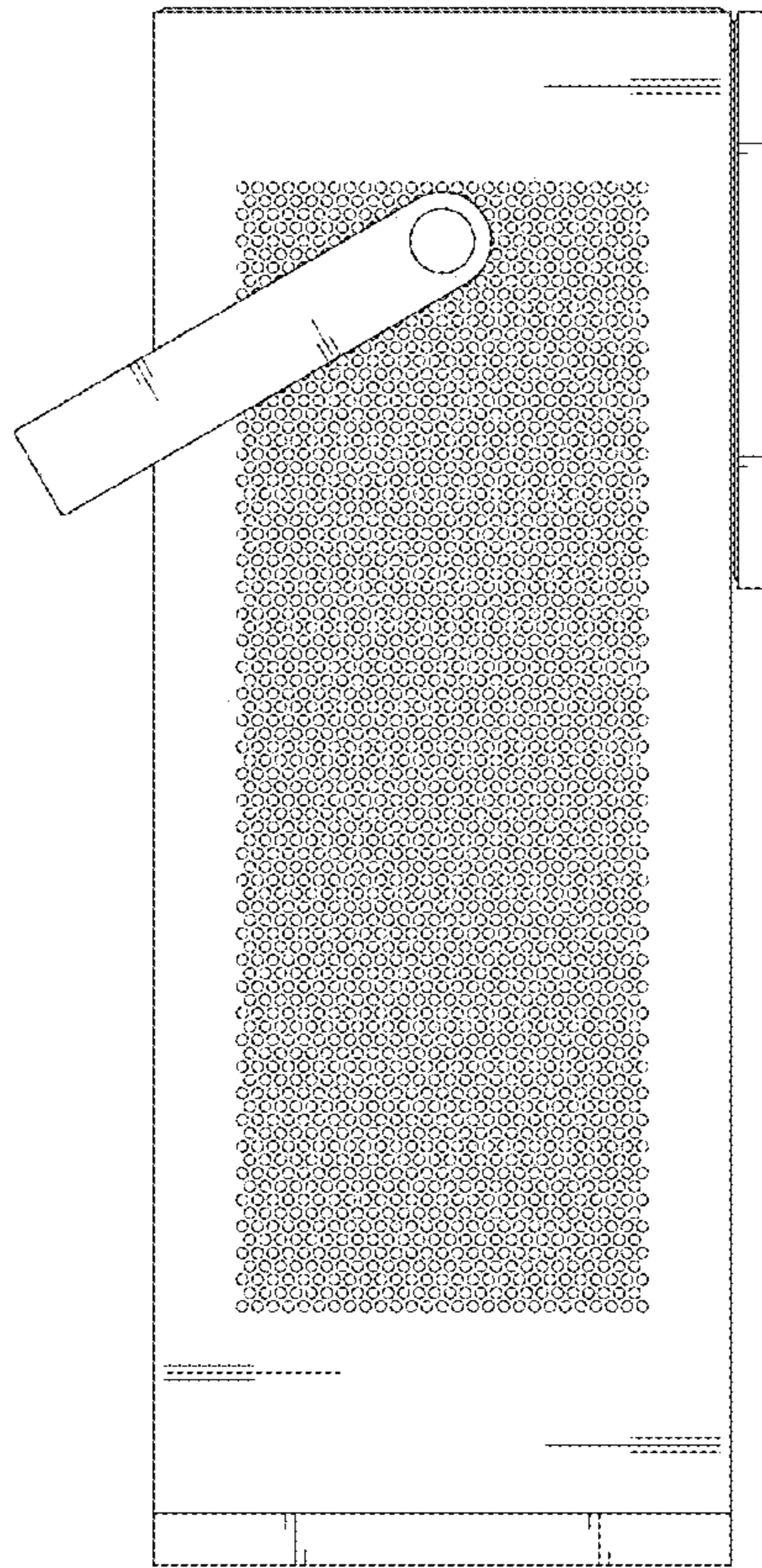
1.25



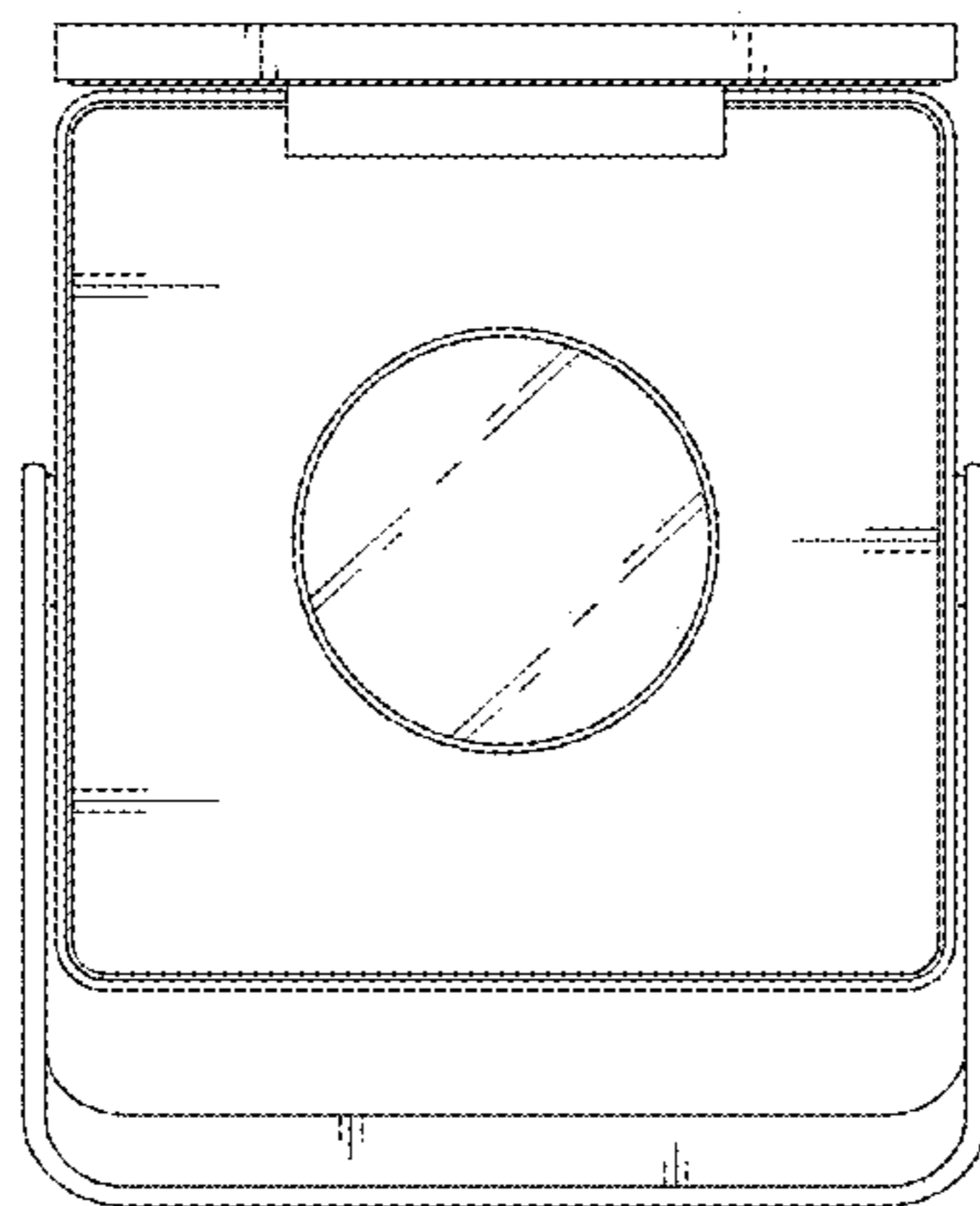
1.26



1.27



1.28



1.29

