



US00D871487S

(12) **United States Design Patent** (10) **Patent No.:** **US D871,487 S**
Sakai (45) **Date of Patent:** **** Dec. 31, 2019**

(54) **LENS FOR CAMERA**
(71) Applicant: **FUJIFILM Corporation**, Tokyo (JP)
(72) Inventor: **Hiroyuki Sakai**, Saitama (JP)
(73) Assignee: **FUJIFILM Corporation**, Tokyo (JP)
(**) Term: **15 Years**

D338,219 S 8/1993 Takahashi
D347,650 S 6/1994 Takahashi
D356,805 S 3/1995 Takahashi
D398,315 S 9/1998 Miyamoto
D407,728 S 4/1999 Miyamoto
D412,922 S * 8/1999 Sekine D16/134
(Continued)

(21) Appl. No.: **29/678,866**
(22) Filed: **Jan. 31, 2019**

FOREIGN PATENT DOCUMENTS

JP 1546617 S 3/2016

Related U.S. Application Data

(62) Division of application No. 29/587,649, filed on Dec. 14, 2016, now Pat. No. Des. 843,432.

OTHER PUBLICATIONS

4K-compatible! "FUJINON XK6x20", a cinema camera zoom lens that covers from wide angle 20mm to telephoto 120mm, Accomplishing T3.5(*1) brightness in the entire zoom range! New Release, Apr. 4, 2016, FUJIFILM Corporation.
(Continued)

(30) **Foreign Application Priority Data**

Jun. 15, 2016 (JP) 2016-012778
Jun. 15, 2016 (JP) 2016-012779
Jun. 15, 2016 (JP) 2016-012780

Primary Examiner — Ramzi S Almatrahi
(74) *Attorney, Agent, or Firm* — Birch, Stewart, Kolasch & Birch, LLP

(51) **LOC (12) Cl.** **16-05**

(52) **U.S. Cl.**
USPC **D16/219**

(57) **CLAIM**

The ornamental design for a lens for camera, as shown and described.

(58) **Field of Classification Search**

USPC D16/134, 136, 200, 202-205, 218, 219, D16/235, 242; 348/373-376; 359/826-828; 396/529-532, 535, 396/539-541
CPC G03B 17/02; G03B 19/04; G03B 17/56; G03B 17/04; G03B 15/03; G03B 17/14; H04N 5/2251; H04N 5/2252; H04N 5/2253; H04N 5/2254; G02B 7/02; G02B 7/04; G02B 7/14

DESCRIPTION

FIG. 1 is a perspective view of a lens for camera showing my new design;
FIG. 2 is a front view thereof;
FIG. 3 is a rear view thereof;
FIG. 4 is a plan view thereof, the bottom view being a mirror image;
FIG. 5 is a right side view thereof; and,
FIG. 6 is a left side view thereof.
The broken lines depict portions of the lens for camera in which the design is embodied that form no part of the claimed design.

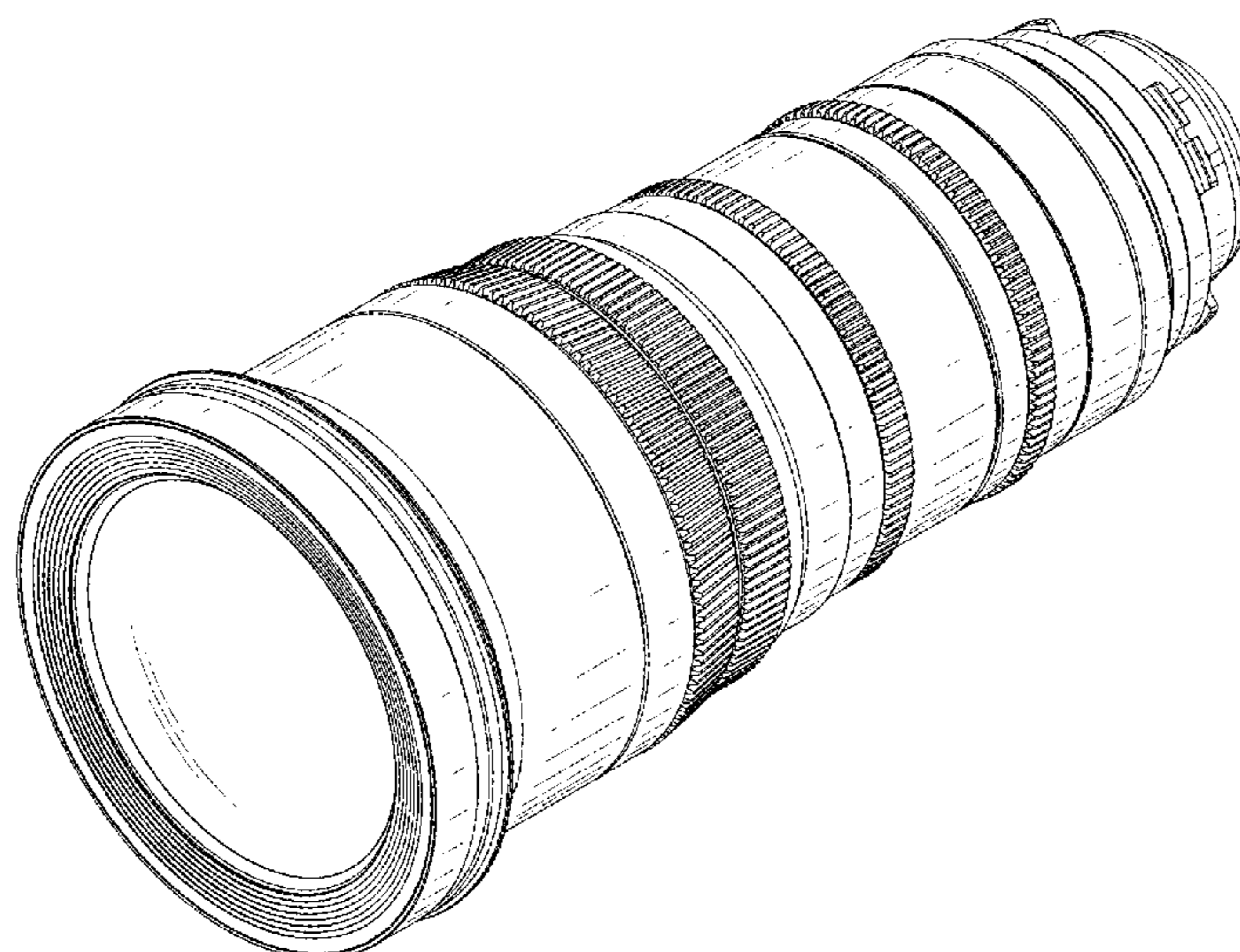
See application file for complete search history.

(56) **References Cited**

U.S. PATENT DOCUMENTS

D337,775 S 7/1993 Takahashi
D337,777 S 7/1993 Takahashi

1 Claim, 4 Drawing Sheets



(56)

References Cited

U.S. PATENT DOCUMENTS

D440,997	S	4/2001	Watanabe	
D441,382	S	5/2001	Konno et al.	
D562,863	S *	2/2008	Yasutomi	D16/134
D573,167	S	7/2008	Kitera	
8,363,343	B2	1/2013	Takahashi	
D717,356	S	11/2014	Nikaido	
D718,361	S *	11/2014	Noh	D16/219
D737,360	S *	8/2015	Jung	D16/219
D741,937	S *	10/2015	Park	D16/219
D750,689	S	3/2016	Oh	
D763,942	S *	8/2016	Yoon	D16/219
D768,224	S *	10/2016	Kim	D16/219
D768,226	S	10/2016	Kawamura	
D783,078	S *	4/2017	Kim	D16/219
9,791,660	B2 *	10/2017	Takeshita	G03B 3/10
2014/0168798	A1 *	6/2014	Ejima	G03B 43/00 359/822
2015/0116535	A1 *	4/2015	Wu	H04N 9/735 348/224.1
2017/0184810	A1 *	6/2017	Shinano	G02B 7/10

OTHER PUBLICATIONS

Japanese Office Action, dated Jan. 31, 2017, for corresponding Japanese Application No. 2016-012780 with partial English translation.

* cited by examiner

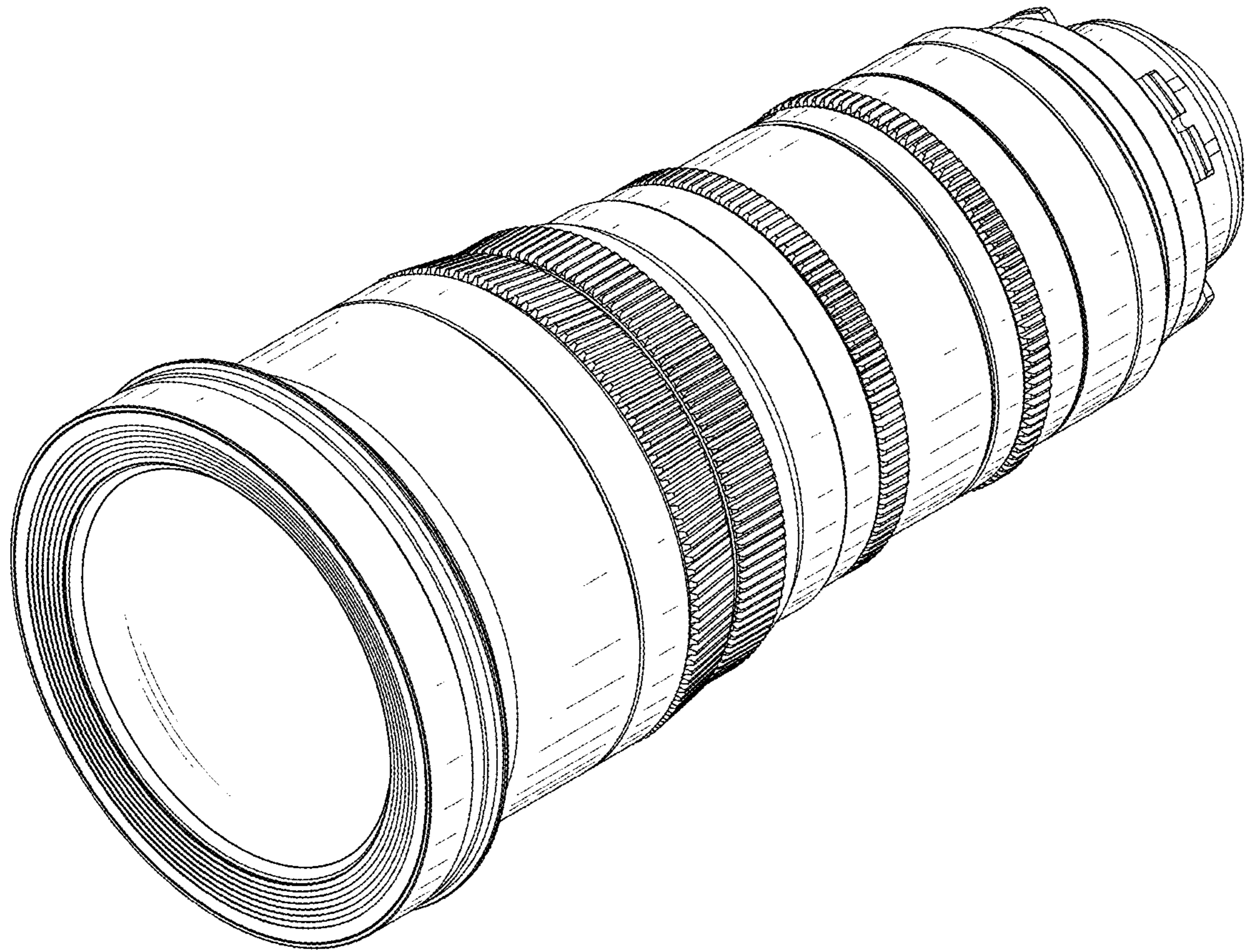


FIG.1

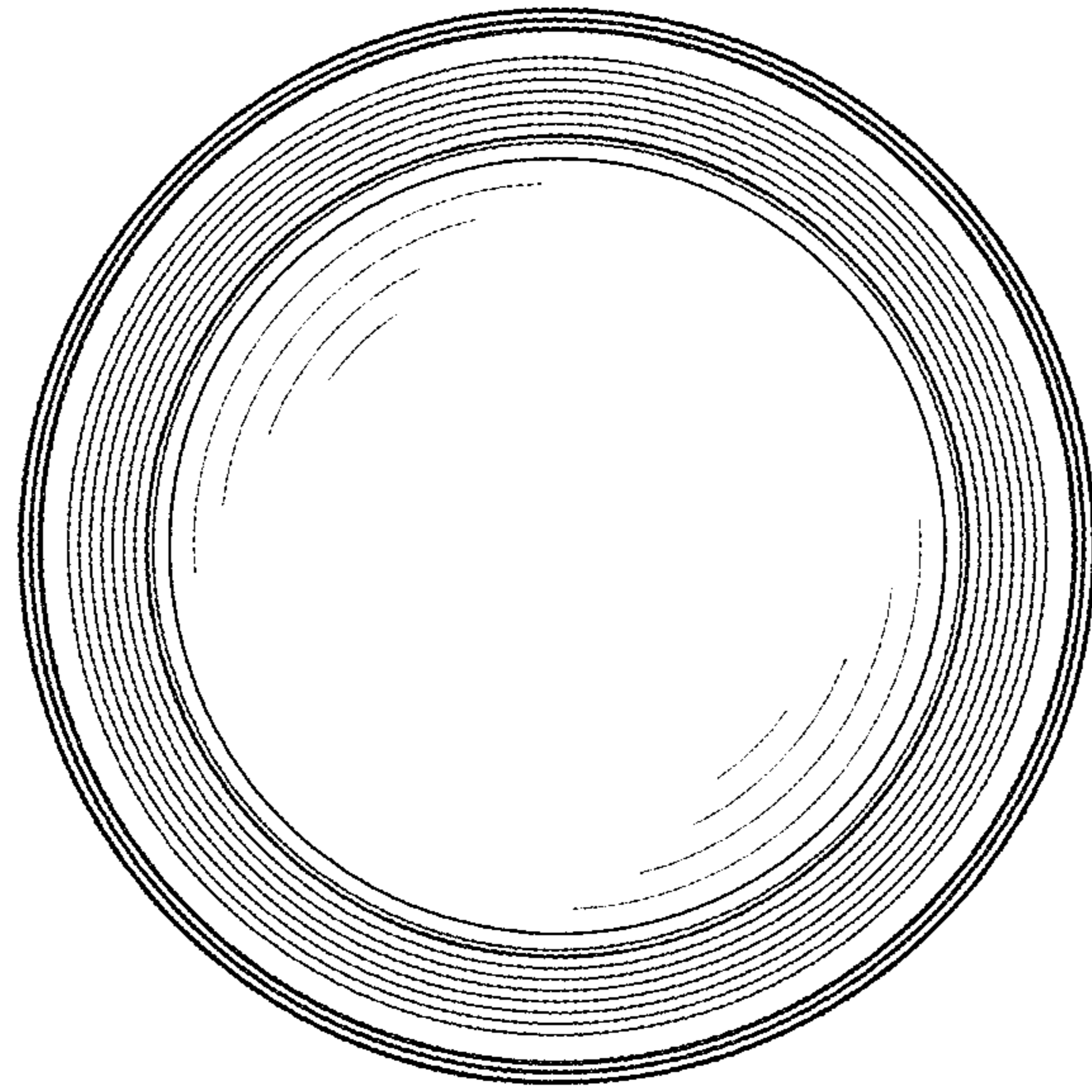


FIG. 2

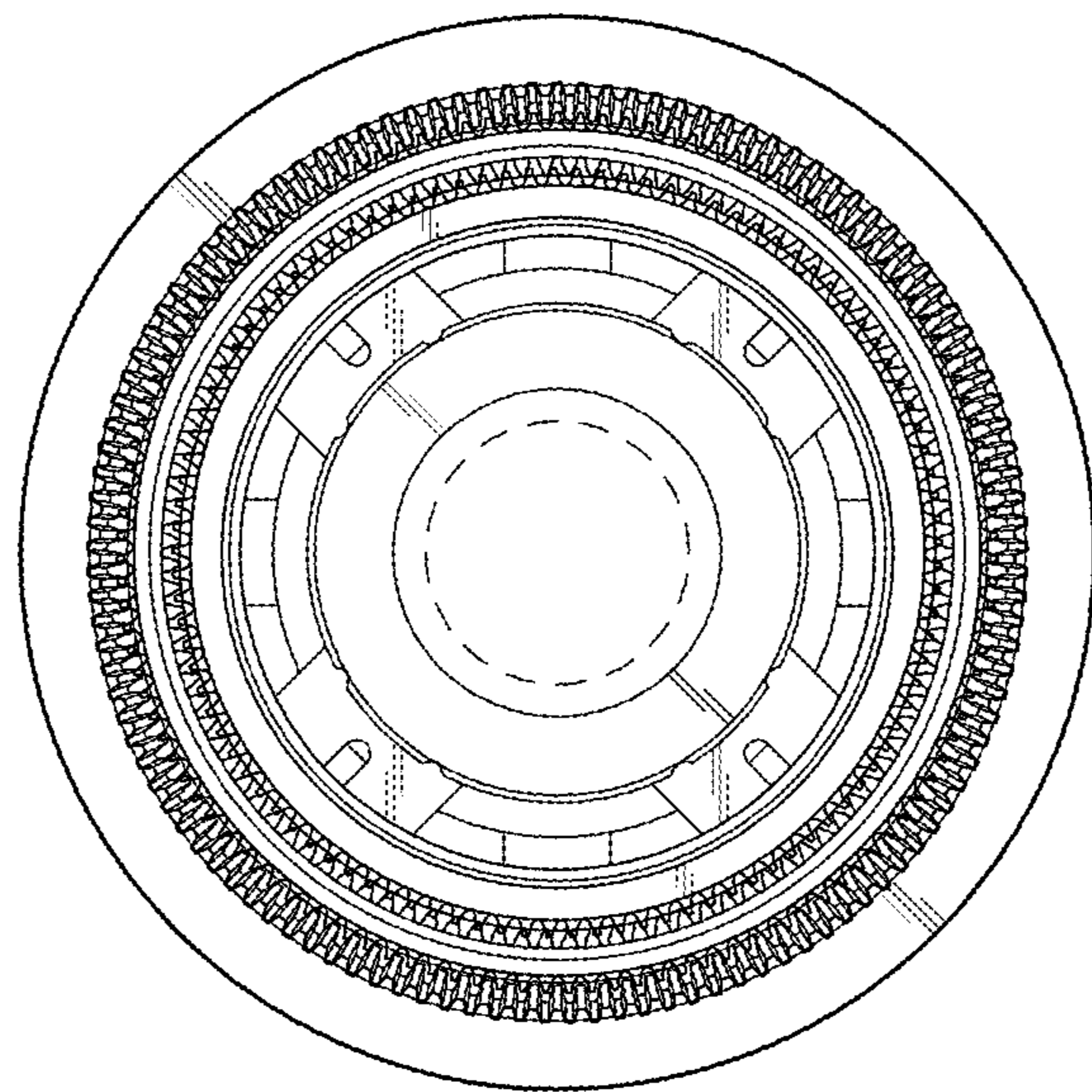


FIG. 3

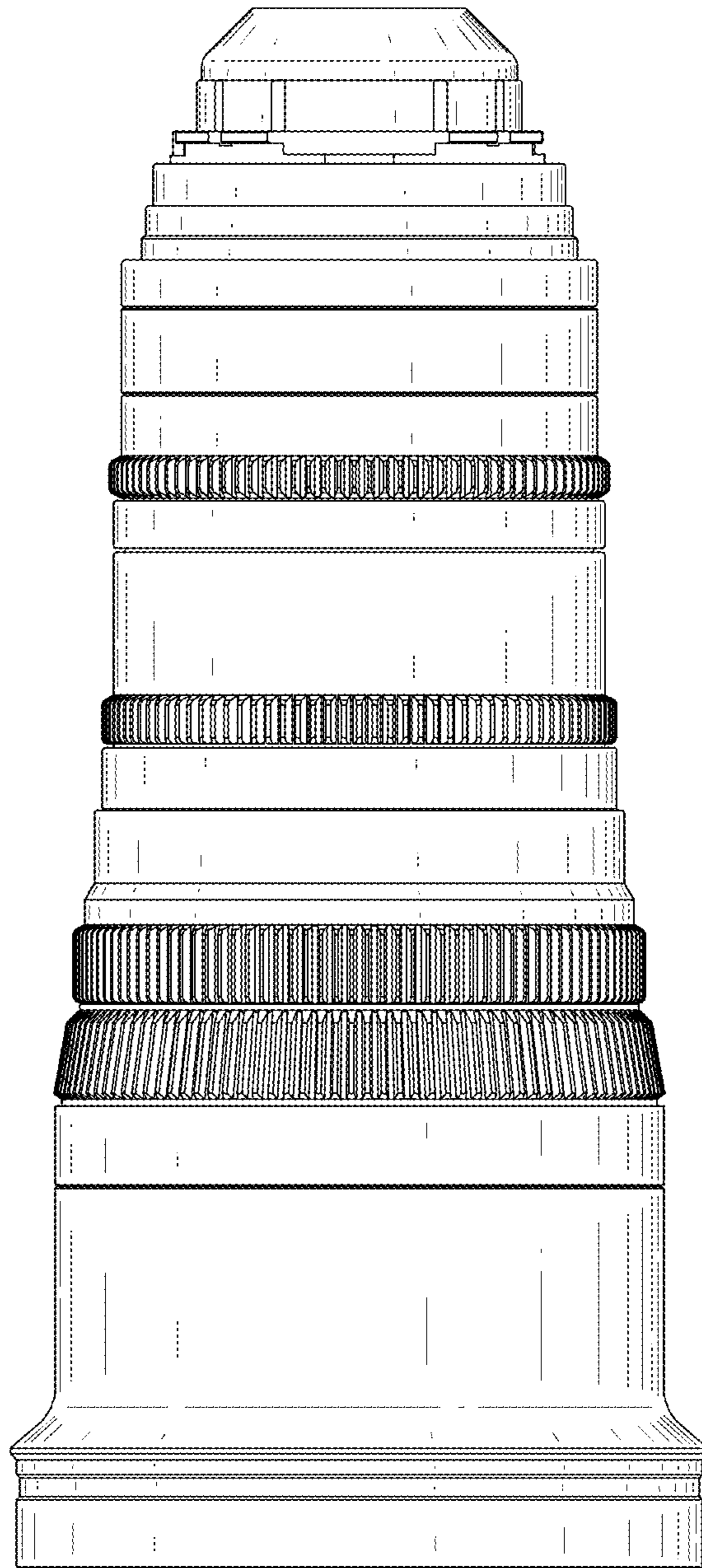


FIG.4

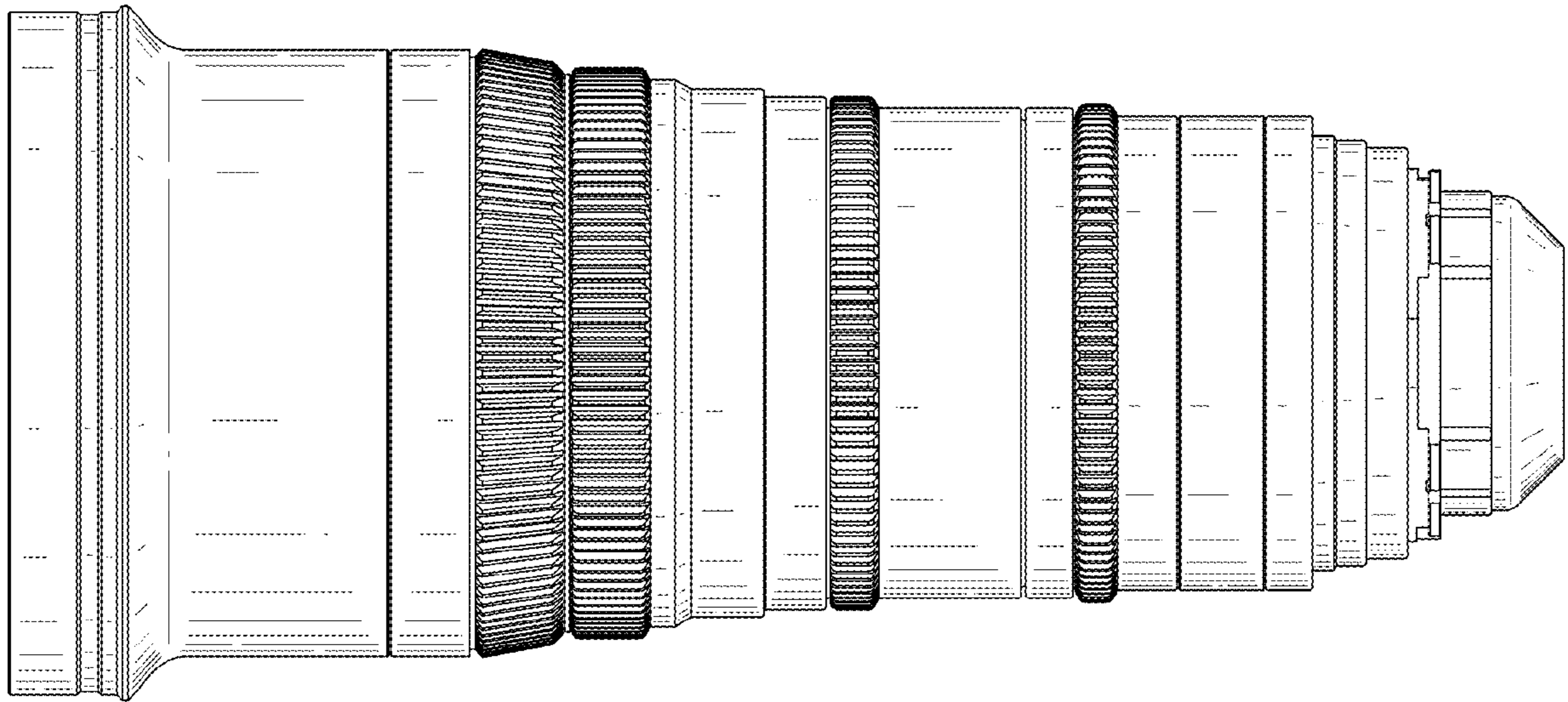


FIG. 5

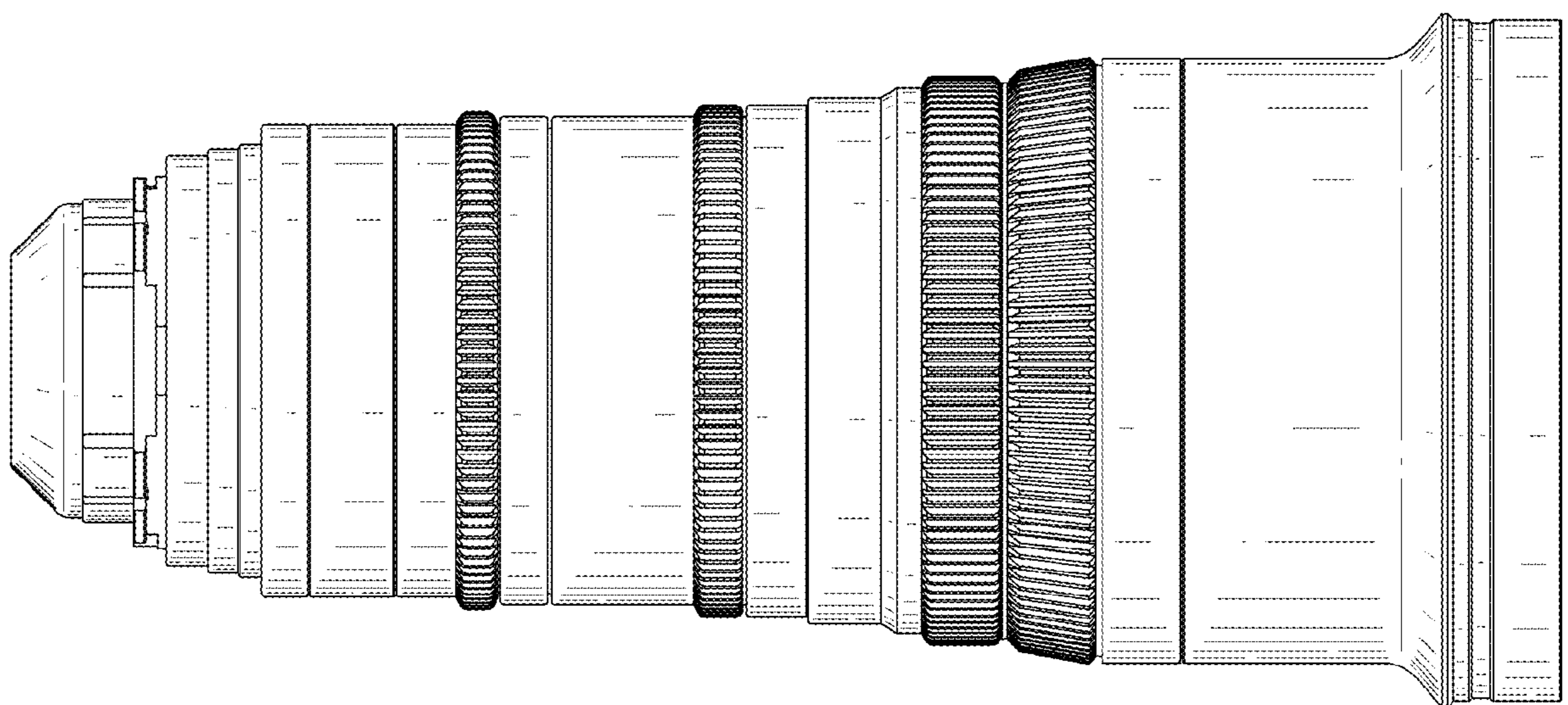


FIG. 6