



US00D871486S

(12) **United States Design Patent**
Cohen et al.

(10) **Patent No.:** **US D871,486 S**

(45) **Date of Patent:** **** Dec. 31, 2019**

(54) **IMAGING DEVICE FOR VIEWING REFLECTED LIGHT**

(71) Applicant: **Voxelight, LLC**, Raleigh, NC (US)
(72) Inventors: **David S. Cohen**, Chapel Hill, NC (US); **Jon Meyer**, Raleigh, NC (US); **Connie Tran**, Glen Allen, VA (US); **Patrick Murphy**, Charlotte, NC (US); **Drew Brisley**, Raleigh, NC (US)

(73) Assignee: **Voxelight, LLC**, Raleigh, NC (US)

(**) Term: **15 Years**

(21) Appl. No.: **29/566,133**

(22) Filed: **May 27, 2016**

(51) **LOC (12) Cl.** **16-01**

(52) **U.S. Cl.**
USPC **D16/218**; D16/130

(58) **Field of Classification Search**
USPC D16/134, 136, 200, 202–206, 208, 218, D16/219, 237, 242, 130; D14/203.3, D14/203.4, 250, 345, 440, 449; 348/373–376; 396/535, 539–541
CPC G03B 15/03; G03B 17/02; G03B 17/04; G03B 17/56; G03B 19/04; H04N 5/2251; H04N 5/2252; H04N 5/2253; H04N 5/2254; H04N 2101/00

See application file for complete search history.

(56) **References Cited**

U.S. PATENT DOCUMENTS

D195,999 S *	8/1963	Bach	D16/130
D389,500 S *	1/1998	Krekelberg	D16/202
D398,018 S *	9/1998	Lee	D16/202
D579,967 S *	11/2008	Jones	D16/202
D665,439 S *	8/2012	Khamsepoor	D16/202
D673,988 S *	1/2013	Riegl	D16/202
D763,340 S *	8/2016	O'Neill	D16/130
D785,066 S *	4/2017	Liu	D16/202

* cited by examiner

Primary Examiner — Ramzi S Almatrahi

(74) *Attorney, Agent, or Firm* — NK Patent Law

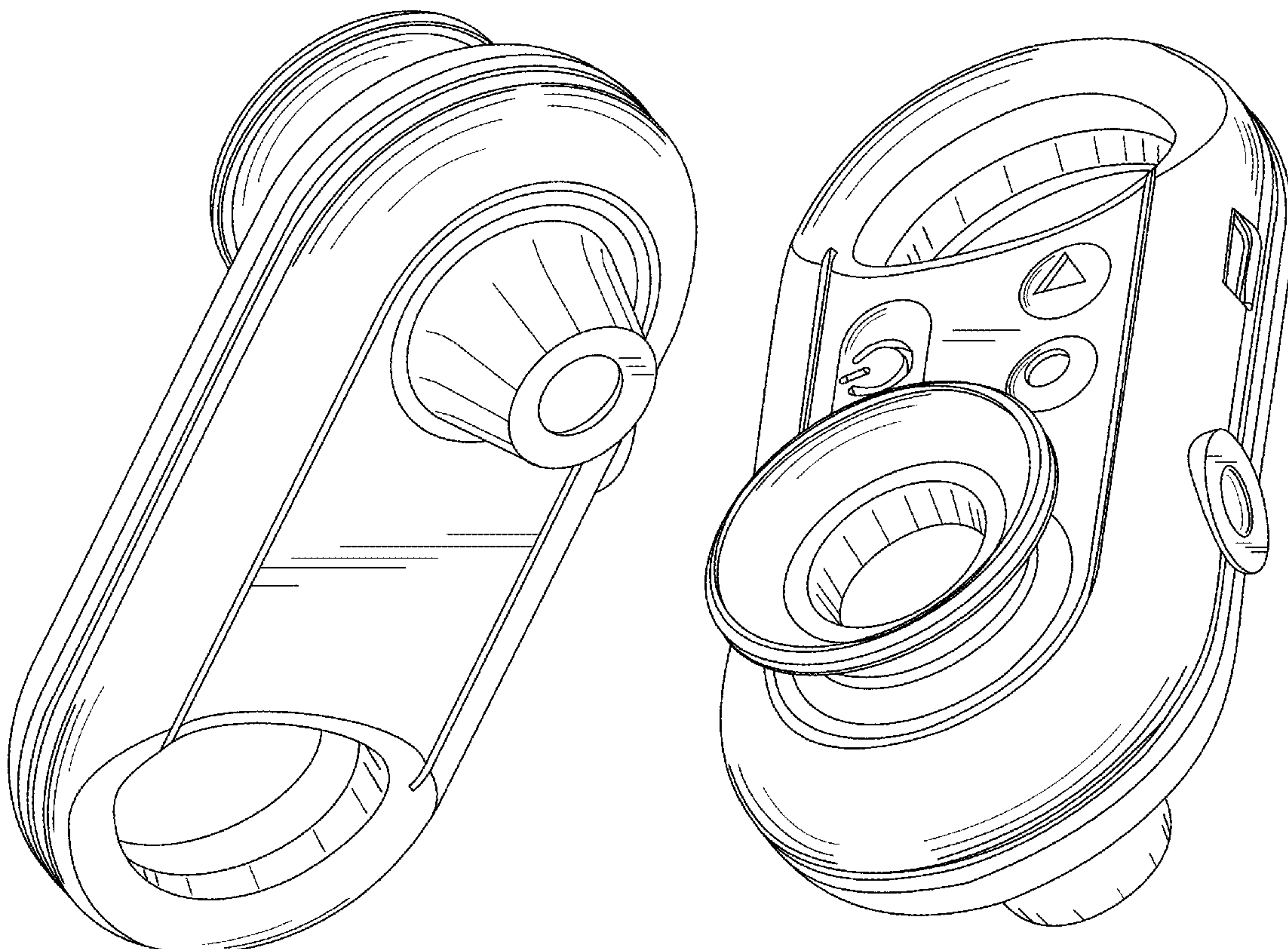
(57) **CLAIM**

The ornamental design for an imaging device for viewing reflected light, as shown and described.

DESCRIPTION

FIG. 1 is a top and front perspective view of an imaging device for viewing reflected light showing our new design; FIG. 2 is a bottom and rear perspective view thereof; FIG. 3 is a top view thereof; FIG. 4 is a bottom view thereof; FIG. 5 is a left side view thereof; FIG. 6 is a right side view thereof; FIG. 7 is a front view thereof; and, FIG. 8 is a rear view thereof.

1 Claim, 7 Drawing Sheets



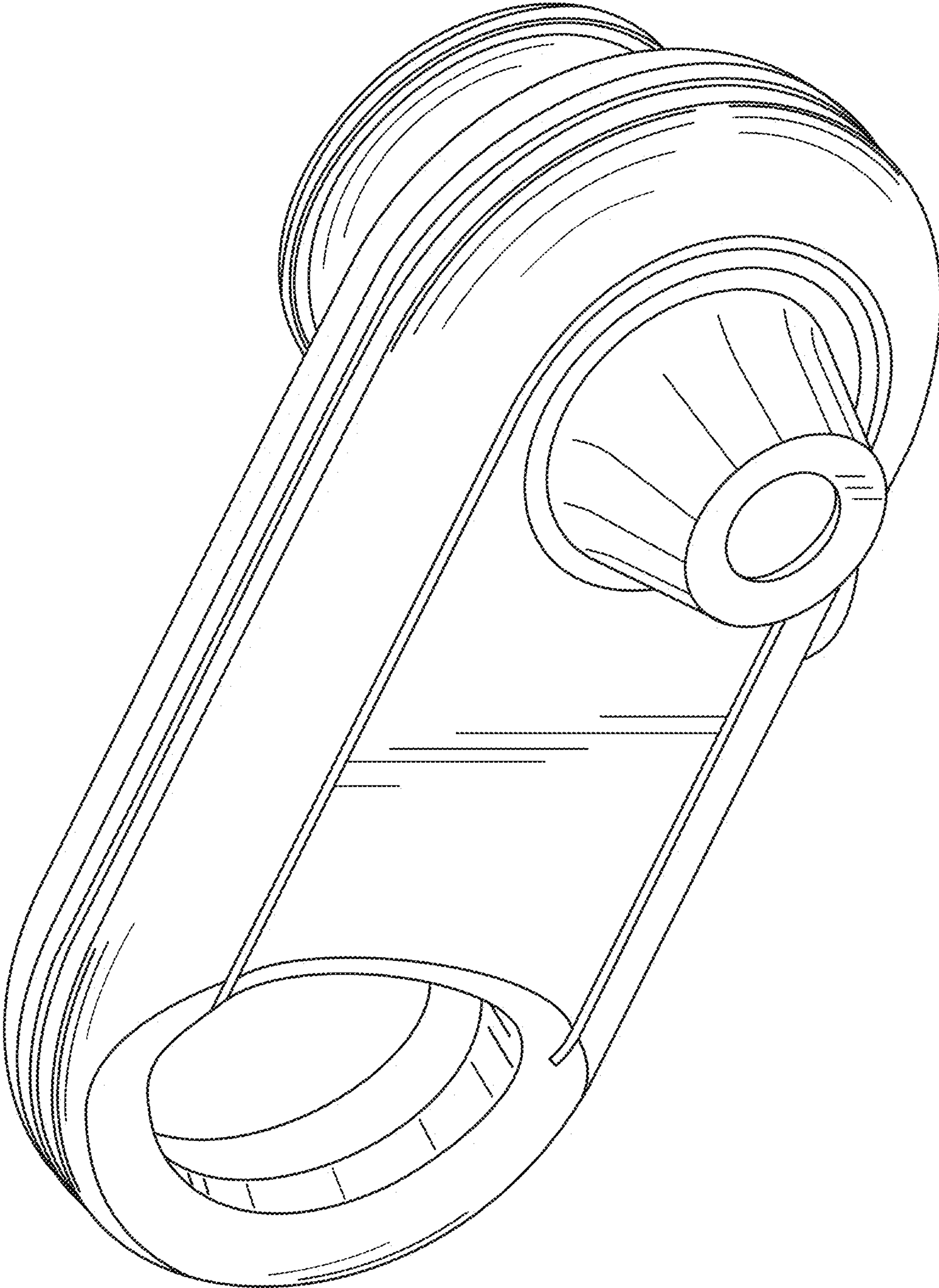


FIG. 1

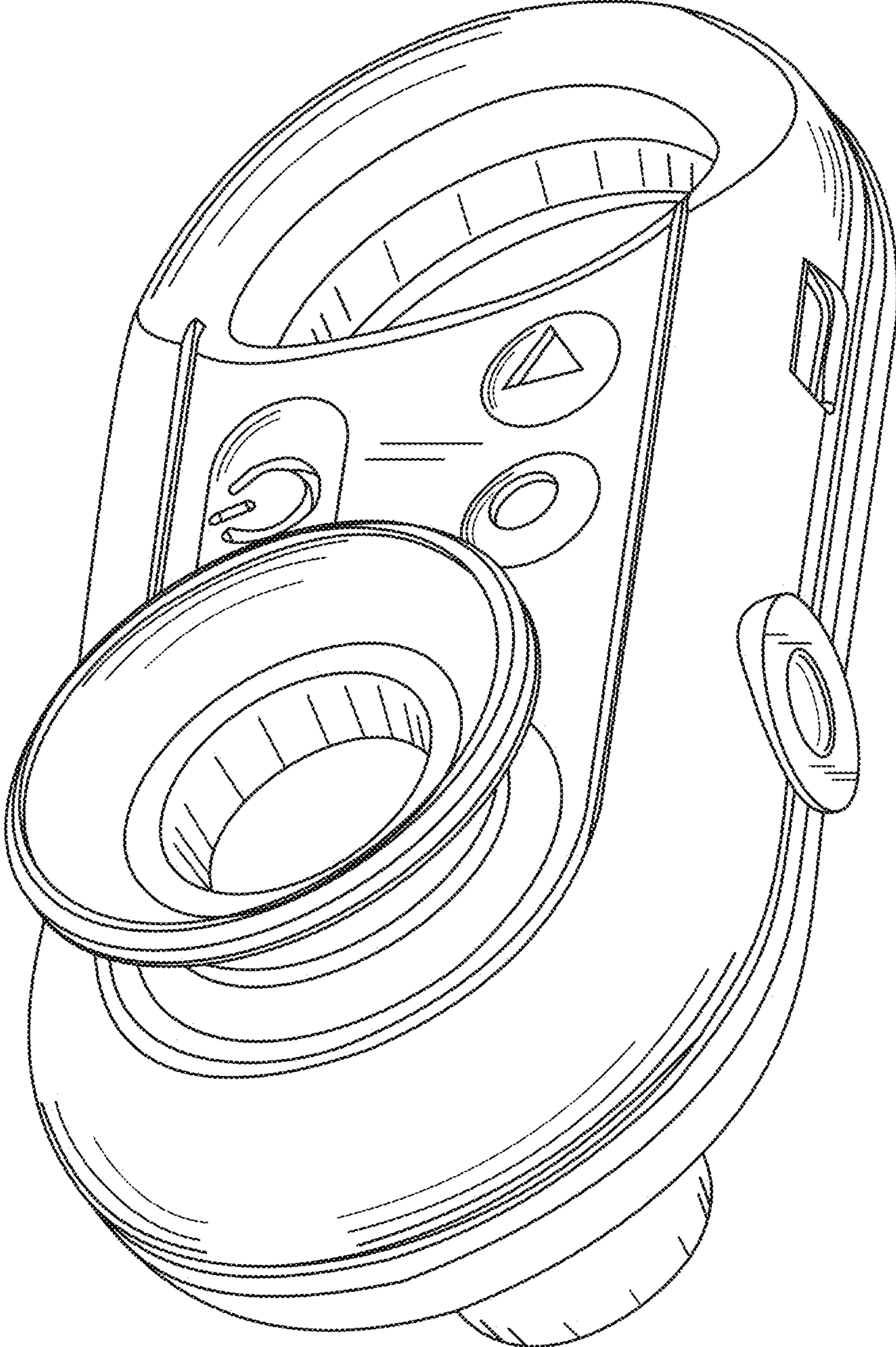


FIG. 2

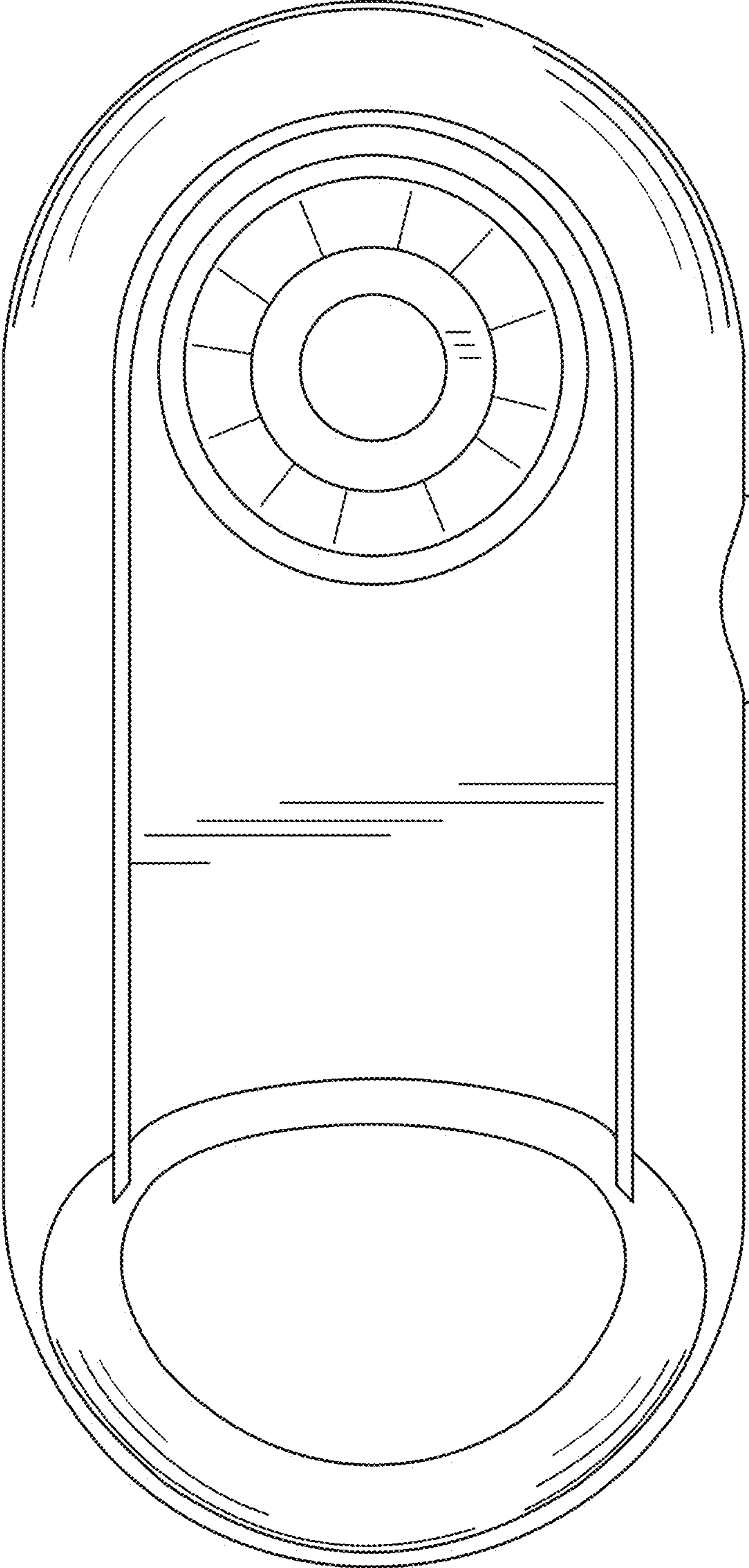


FIG. 3

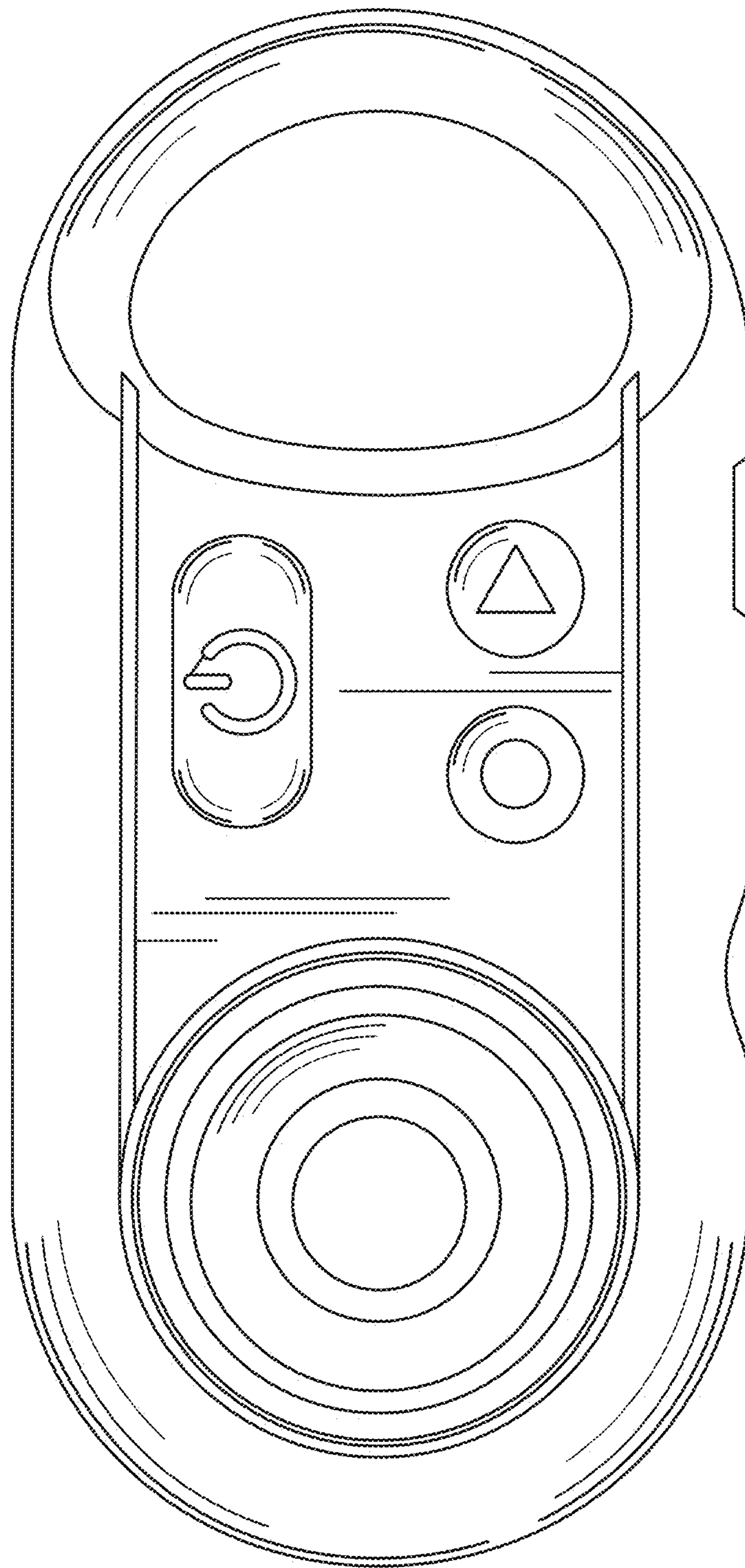


FIG. 4

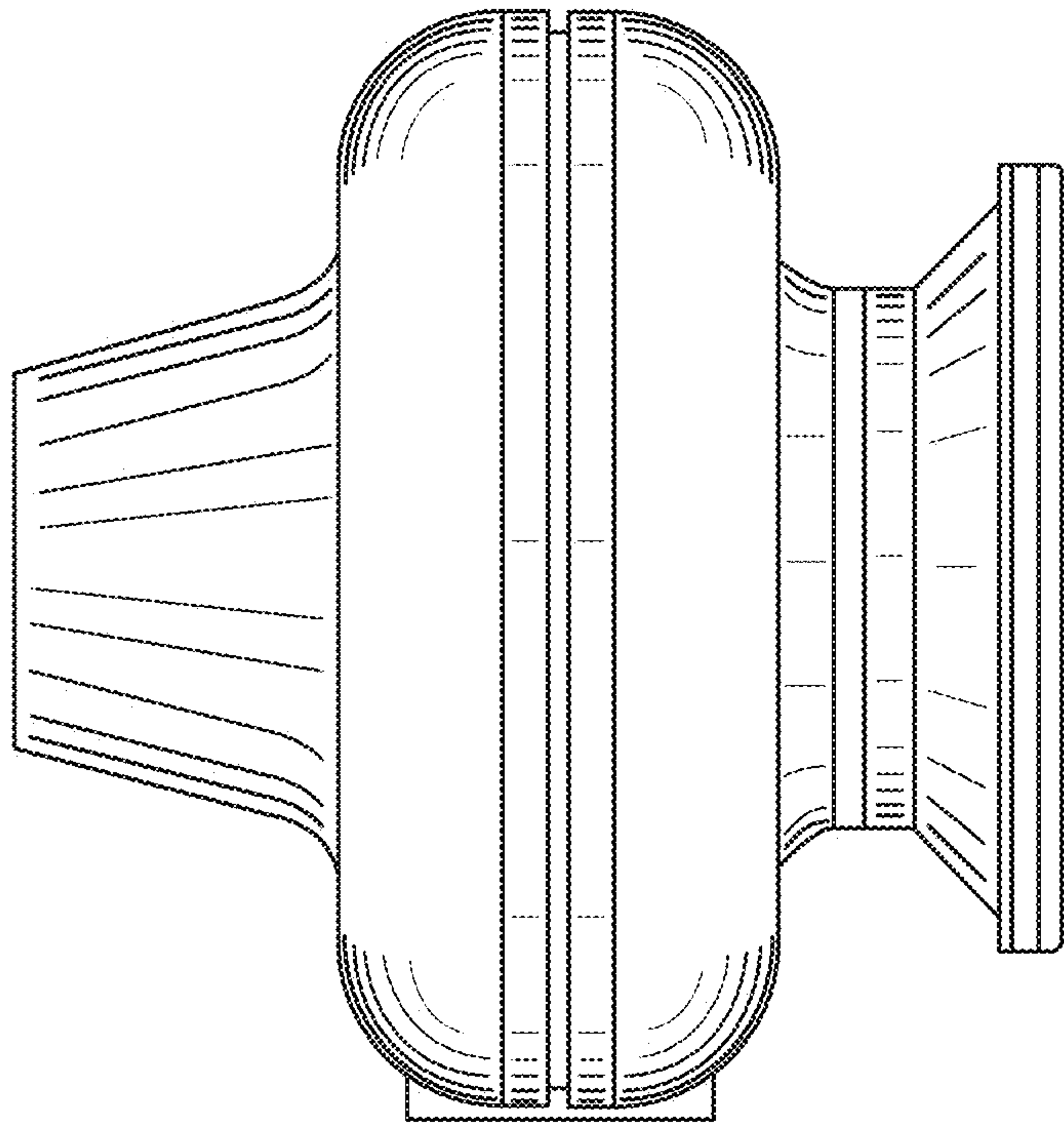


FIG. 5

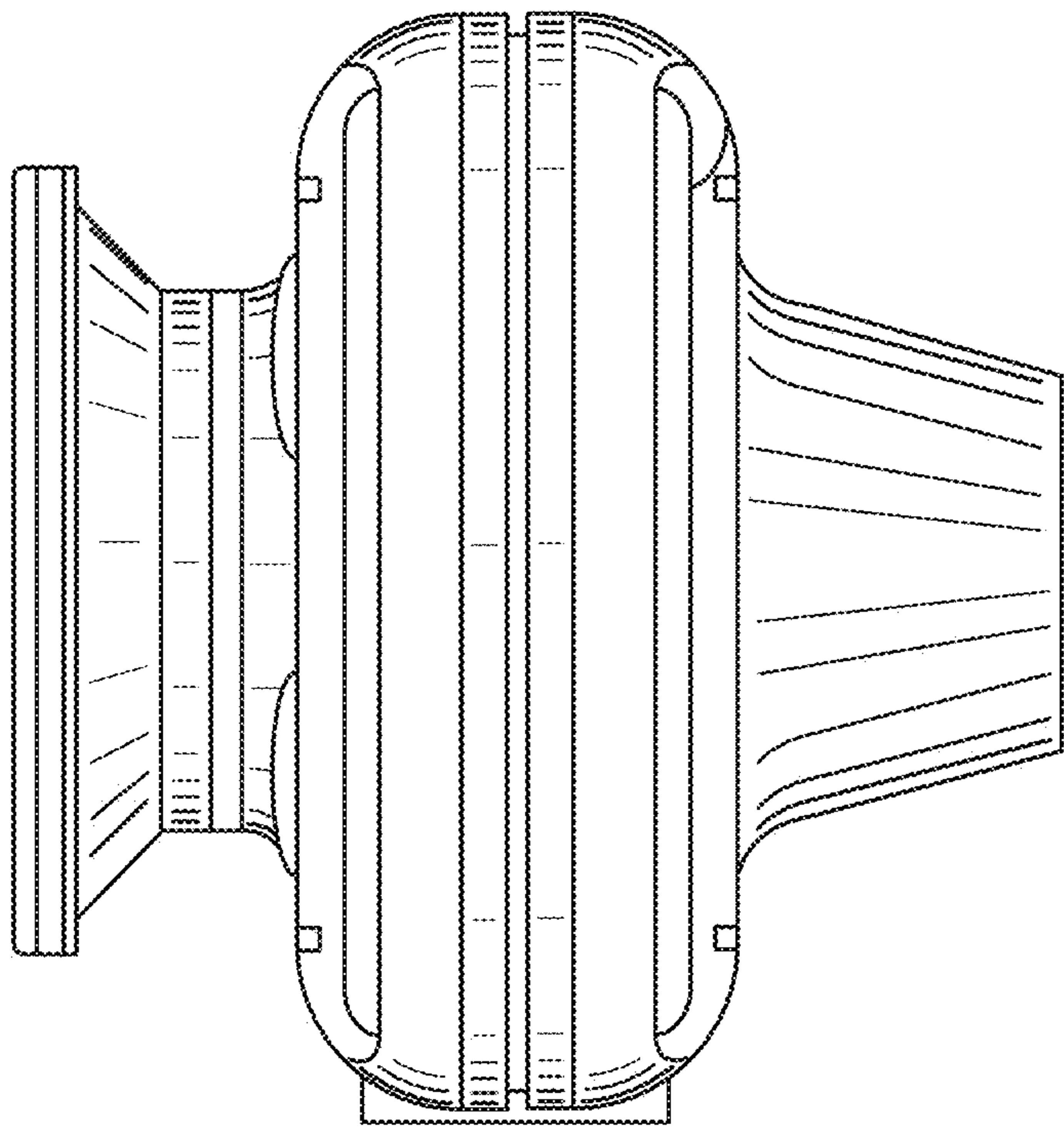


FIG. 6

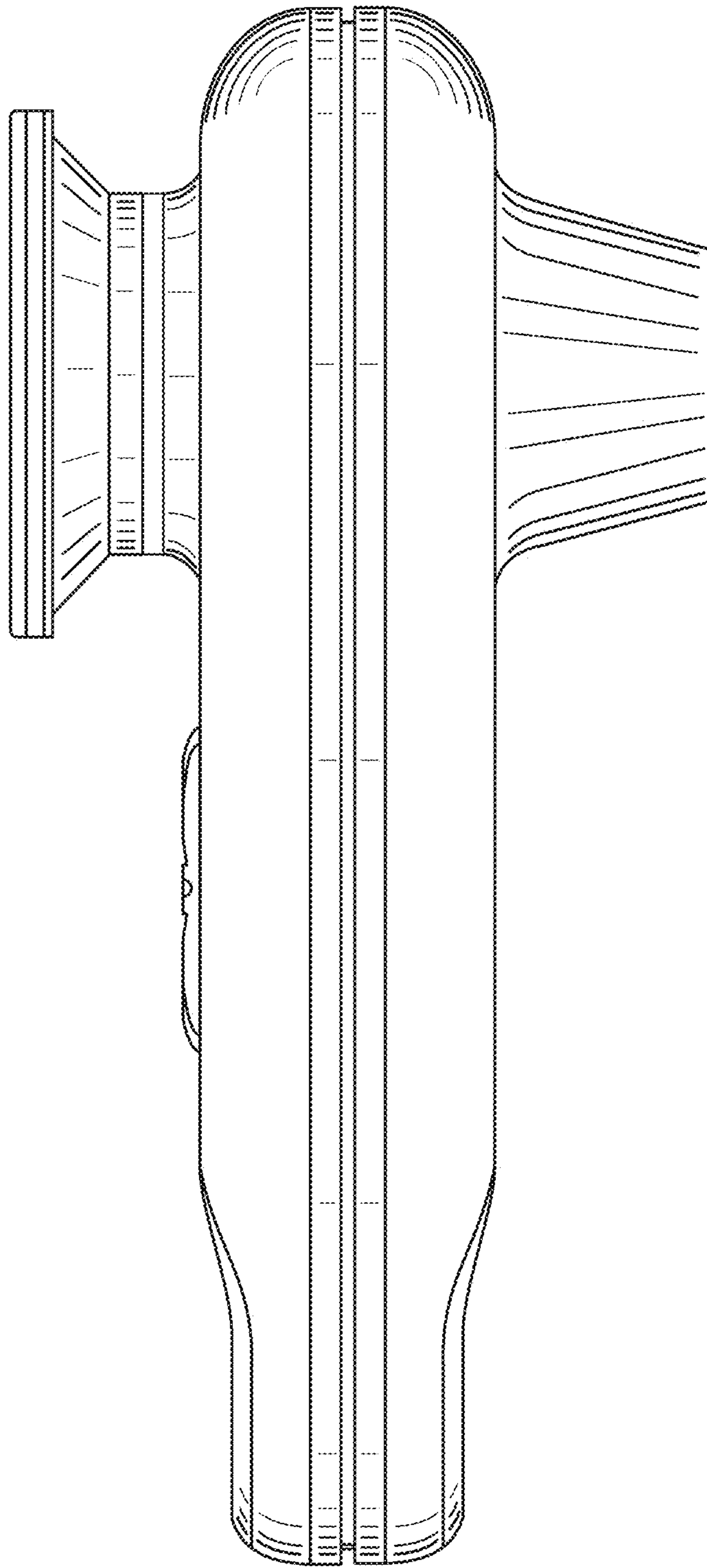


FIG. 7

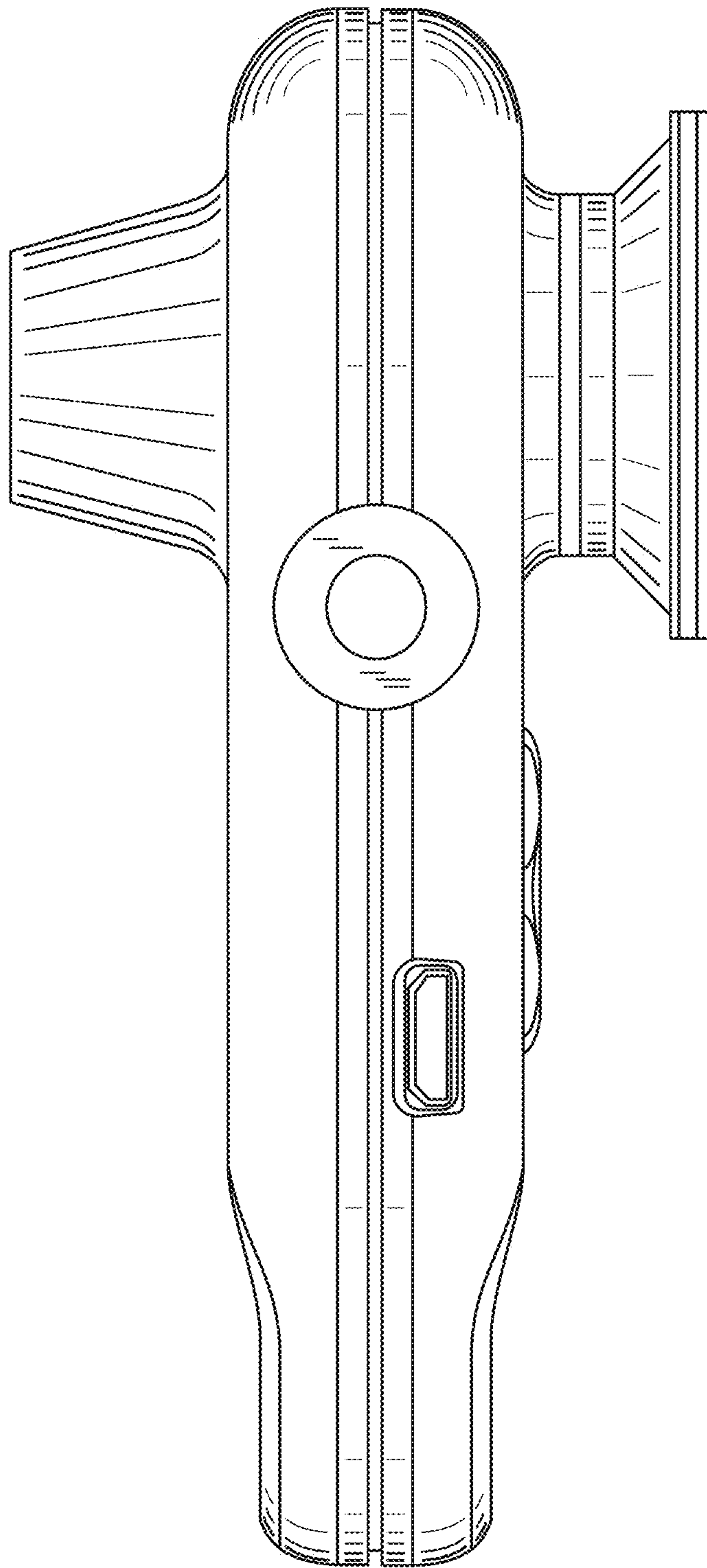


FIG. 8