



US00D871485S

(12) **United States Design Patent**  
**Walter et al.**

(10) **Patent No.:** **US D871,485 S**  
(45) **Date of Patent:** **\*\* Dec. 31, 2019**

(54) **CAMERA**

(71) Applicant: **Axis AB**, Lund (SE)

(72) Inventors: **Mathias Walter**, Lund (SE); **Daniel Åhman**, Lund (SE); **Mariano Vozzi**, Lund (SE); **Malte Bokvist**, Lund (SE); **Fredrik Axelsson**, Lund (SE)

(73) Assignee: **AXIS AB**, Lund (SE)

(\*\*) Term: **15 Years**

(21) Appl. No.: **29/654,444**

(22) Filed: **Jun. 25, 2018**

(30) **Foreign Application Priority Data**

Jan. 15, 2018 (EM) ..... 004665966-0006

(51) **LOC (12) Cl.** ..... **16-01**

(52) **U.S. Cl.**  
USPC ..... **D16/203**

(58) **Field of Classification Search**  
USPC ..... D16/200–220, 131, 237, 242, 239, 250,  
D16/235, 130, 134, 136, 238;  
D14/138 C, 240, 248, 203.1, 203.3, 203.7,  
D14/218, 207; D10/104.1, 50, 65, 74,  
D10/70, 118.2  
CPC . G02B 7/02; G02B 7/021; G02B 7/04; G02B  
7/14; G02B 7/003; G03B 17/00; G03B  
17/02; G03B 17/56; G03B 17/04; G03B  
17/14; G03B 17/08; G03B 15/03; G03B  
15/06; H04N 5/2251; H04N 5/2252;  
H04N 5/2253; H04N 5/2254; H04N 7/00;  
H04N 2101/00; F16M 13/00  
See application file for complete search history.

(56) **References Cited**

**U.S. PATENT DOCUMENTS**

D275,294 S \* 8/1984 Pagano ..... D16/203  
D288,007 S \* 1/1987 Jonas ..... D23/366  
D320,028 S \* 9/1991 Sedighzadeh ..... D16/203

D452,696 S \* 1/2002 Fenton ..... D16/203  
D499,126 S \* 11/2004 Kato ..... D16/203  
D536,719 S \* 2/2007 Lukic ..... D16/202

(Continued)

**FOREIGN PATENT DOCUMENTS**

EM 002967810 2/2016  
EM 003514991 12/2016

**OTHER PUBLICATIONS**

Axis Communications Companion Eye mini L 2MP Network Dome Camera with Night Vision, published 2019 [online], [retrieved Sep. 23, 2019], Available from Internet, URL: [https://www.bhphotovideo.com/c/product/1454523-REG/axis\\_communications\\_01064\\_001\\_companion\\_eye\\_mini\\_l.html](https://www.bhphotovideo.com/c/product/1454523-REG/axis_communications_01064_001_companion_eye_mini_l.html).\*

*Primary Examiner* — T Chase Nelson

*Assistant Examiner* — Mary Claire Ramirez

(74) *Attorney, Agent, or Firm* — Tucker Ellis LLP

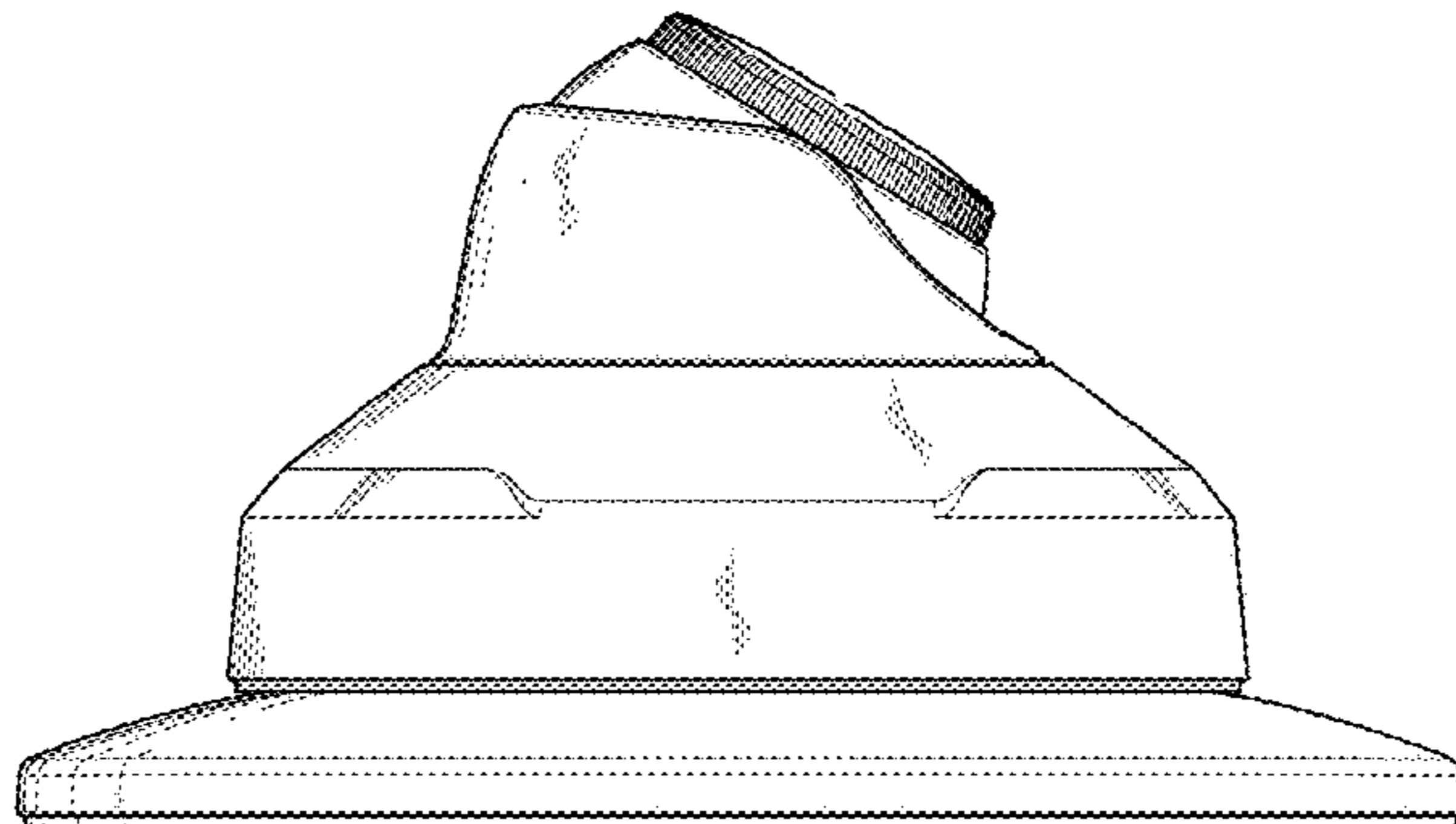
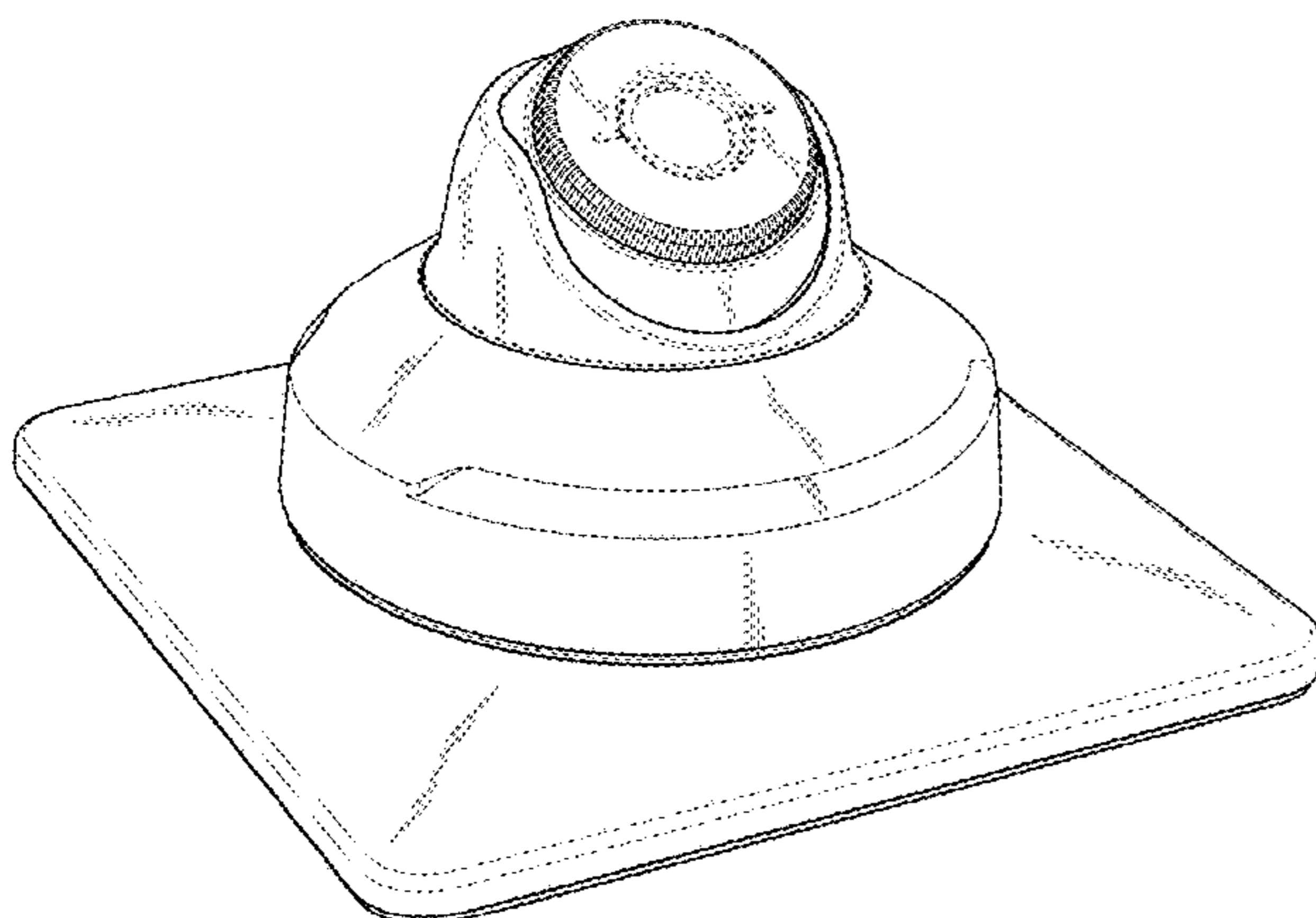
(57) **CLAIM**

The ornamental design for a camera, as shown and described.

**DESCRIPTION**

FIG. 1 is a perspective view of a camera showing our new design with a lens assembly tilted at a first position; FIG. 2 is a front view thereof; FIG. 3 is a rear view thereof; FIG. 4 is a left side view thereof; FIG. 5 is a right side view thereof; FIG. 6 is a top view thereof; FIG. 7 is a bottom view thereof; FIG. 8 is a left side view of the camera showing the lens assembly tilted in a second position; and, FIG. 9 is a left side view of the camera showing the lens assembly tilted in a third position. The broken lines are for the purpose of illustrating portions of the camera and form no part of the claimed design.

**1 Claim, 6 Drawing Sheets**



(56)

References Cited

U.S. PATENT DOCUMENTS

D542,319 S *	5/2007	Ishida	D16/202	9,936,112 B2 *	4/2018	Hjelmstrom	H04N 5/2253
D543,566 S *	5/2007	Kato	D16/203	D816,755 S *	5/2018	Barnekow	D16/203
D543,567 S *	5/2007	Kato	D16/203	D817,378 S *	5/2018	Persson	D16/203
D552,650 S *	10/2007	Yamakawa	D16/203	D823,919 S *	7/2018	Persson	D16/203
D556,236 S *	11/2007	Kim	D16/202	D827,462 S *	9/2018	Huang	D10/70
D556,803 S *	12/2007	Ishida	D16/202	D828,428 S *	9/2018	Lee	D16/203
D591,697 S *	5/2009	Andrews	D13/182	D829,367 S *	9/2018	Momin	D26/124
D618,636 S *	6/2010	Hsieh	D13/180	D829,968 S *	10/2018	Momin	D26/120
D623,607 S *	9/2010	Andrews	D13/180	D835,306 S *	12/2018	Thompson	D26/26
D626,984 S *	11/2010	Miyaji	D16/202	D835,307 S *	12/2018	Thompson	D26/26
D628,737 S *	12/2010	van den Akker	D26/89	D837,863 S *	1/2019	Persson	D16/203
D629,439 S *	12/2010	Yoshida	D16/203	D839,338 S *	1/2019	Persson	D16/203
D633,931 S *	3/2011	Ham	D16/203	10,178,283 B2 *	1/2019	Shin	H04N 7/18
D634,660 S *	3/2011	Sahibzada	D10/106.2	D848,514 S *	5/2019	Ahman	D16/219
D639,842 S *	6/2011	Zeinoun	D16/203	D849,120 S *	5/2019	Ahman	D16/219
8,066,438 B2 *	11/2011	Takahashi	H04N 5/2251 348/143	D852,868 S *	7/2019	Huang	D16/203
D656,906 S *	4/2012	Leung	D13/180	D856,397 S *	8/2019	Ahman	D16/219
D657,410 S *	4/2012	Helaoui	D16/203	D861,057 S *	9/2019	Klein	D16/203
D679,046 S *	3/2013	Hoshino	D26/120	D864,430 S *	10/2019	Thompson	D26/26
D681,573 S *	5/2013	Andrews	D13/182	D864,431 S *	10/2019	Thompson	D26/26
8,749,702 B2 *	6/2014	Alm	H04N 5/2251 348/222.1	2004/0079957 A1 *	4/2004	Andrews	H01L 33/486 257/100
8,790,024 B2 *	7/2014	Andersson	H04N 5/2252 396/427	2008/0054286 A1 *	3/2008	Loh	H01L 33/52 257/98
D721,755 S *	1/2015	Åhman	D16/203	2011/0090350 A1 *	4/2011	Oomori	H04N 5/2252 348/207.99
D723,395 S *	3/2015	Dispensa	D10/53	2012/0106943 A1 *	5/2012	Mukai	G03B 37/00 396/427
D740,874 S *	10/2015	Ahman	D16/203	2013/0287385 A1 *	10/2013	Andersson	H04N 5/2252 396/427
D743,465 S *	11/2015	Aglassinger	D16/203	2016/0301836 A1 *	10/2016	Hjelmstrom	H04N 5/2253
D749,662 S *	2/2016	Chen	D16/203	2017/0353635 A1 *	12/2017	Shin	H04N 7/18
D777,367 S *	1/2017	Ma	D26/104	2018/0165932 A1 *	6/2018	Larsson	G08B 13/19619
D783,076 S *	4/2017	Ravat	D16/203	2018/0241915 A1 *	8/2018	Guan	H04N 5/225
D809,048 S *	1/2018	Andersson	D16/203	2019/0191059 A1 *	6/2019	Park	H04N 5/2251

\* cited by examiner

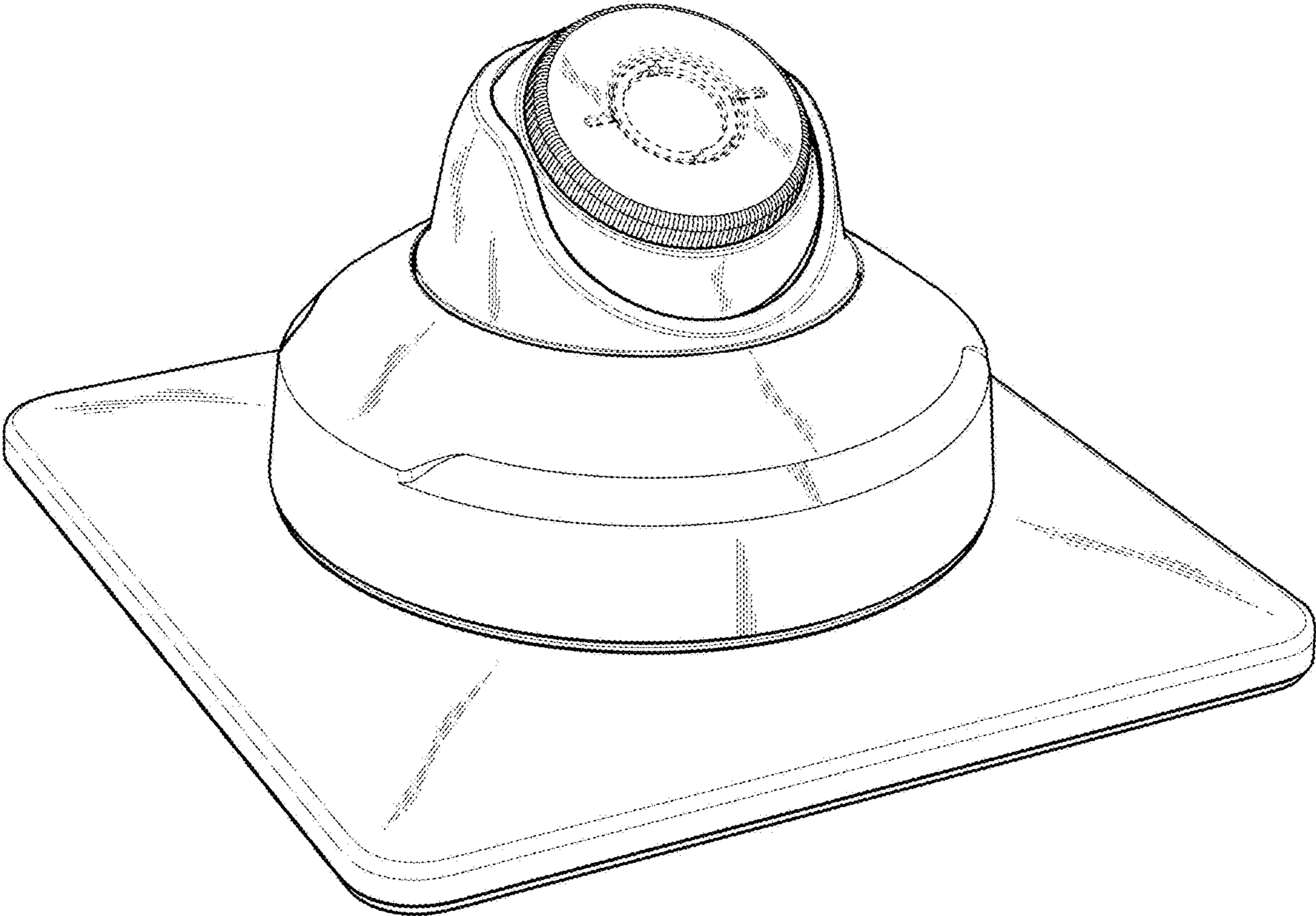


FIG. 1

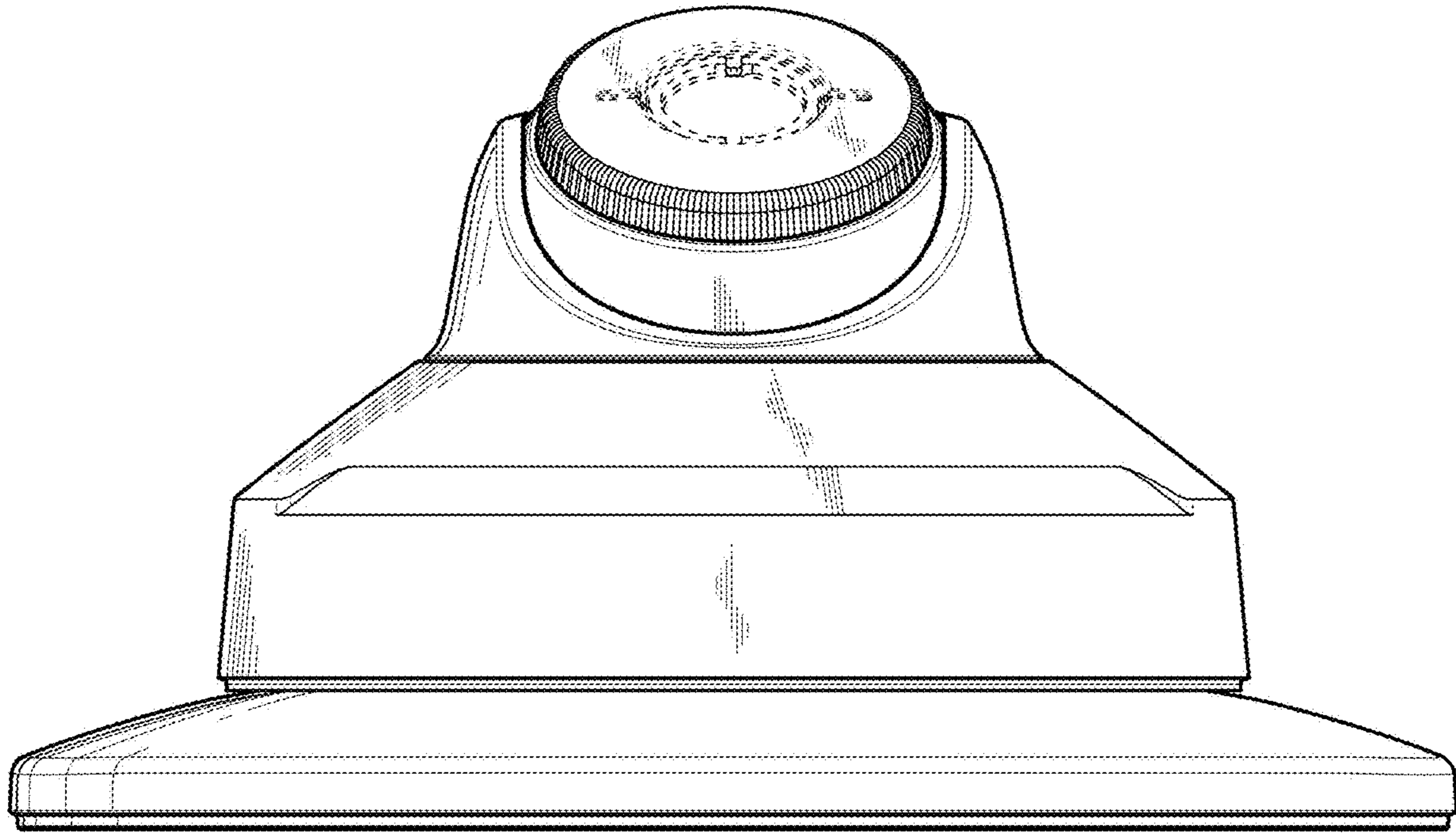


FIG. 2

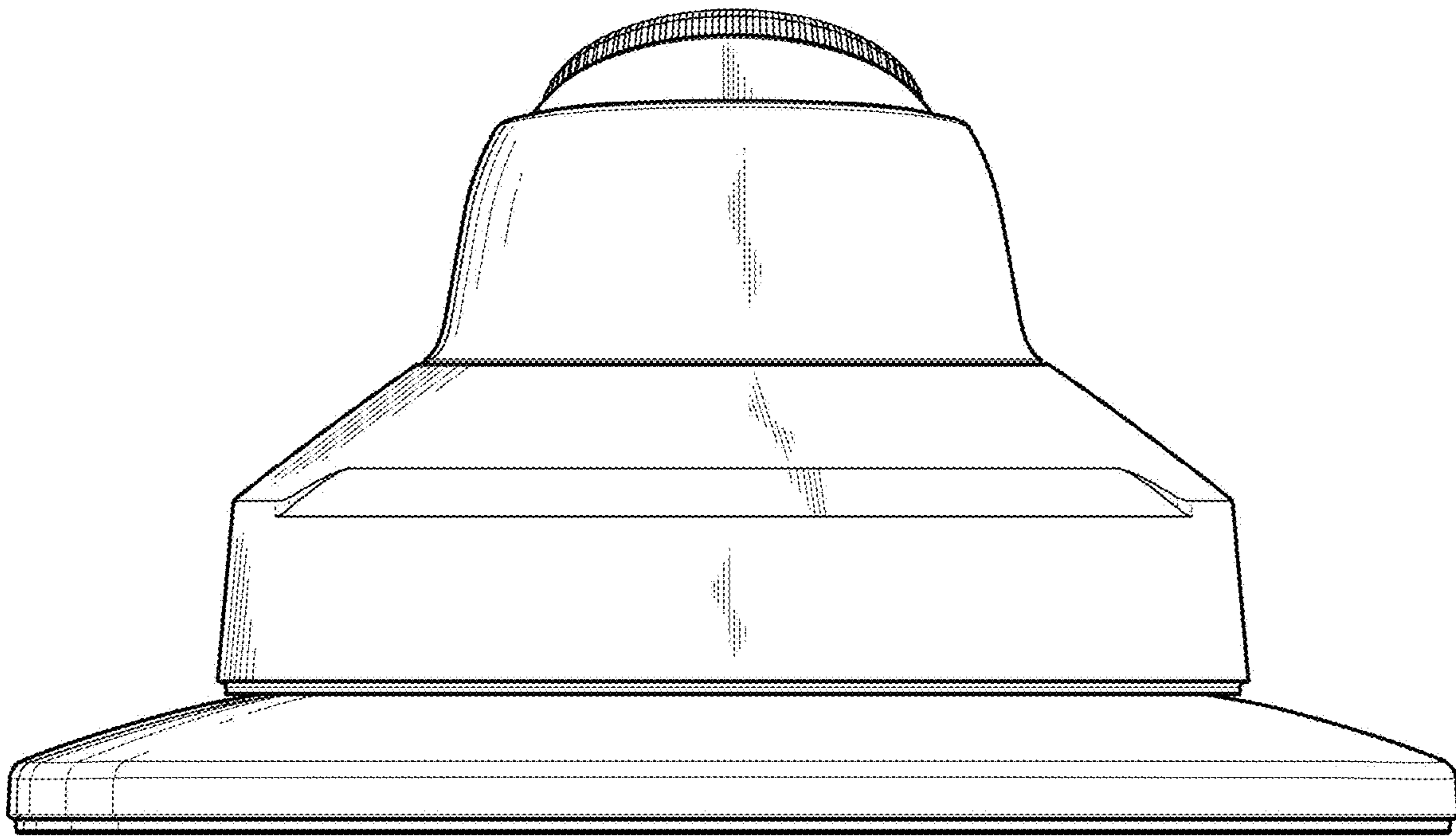


FIG. 3

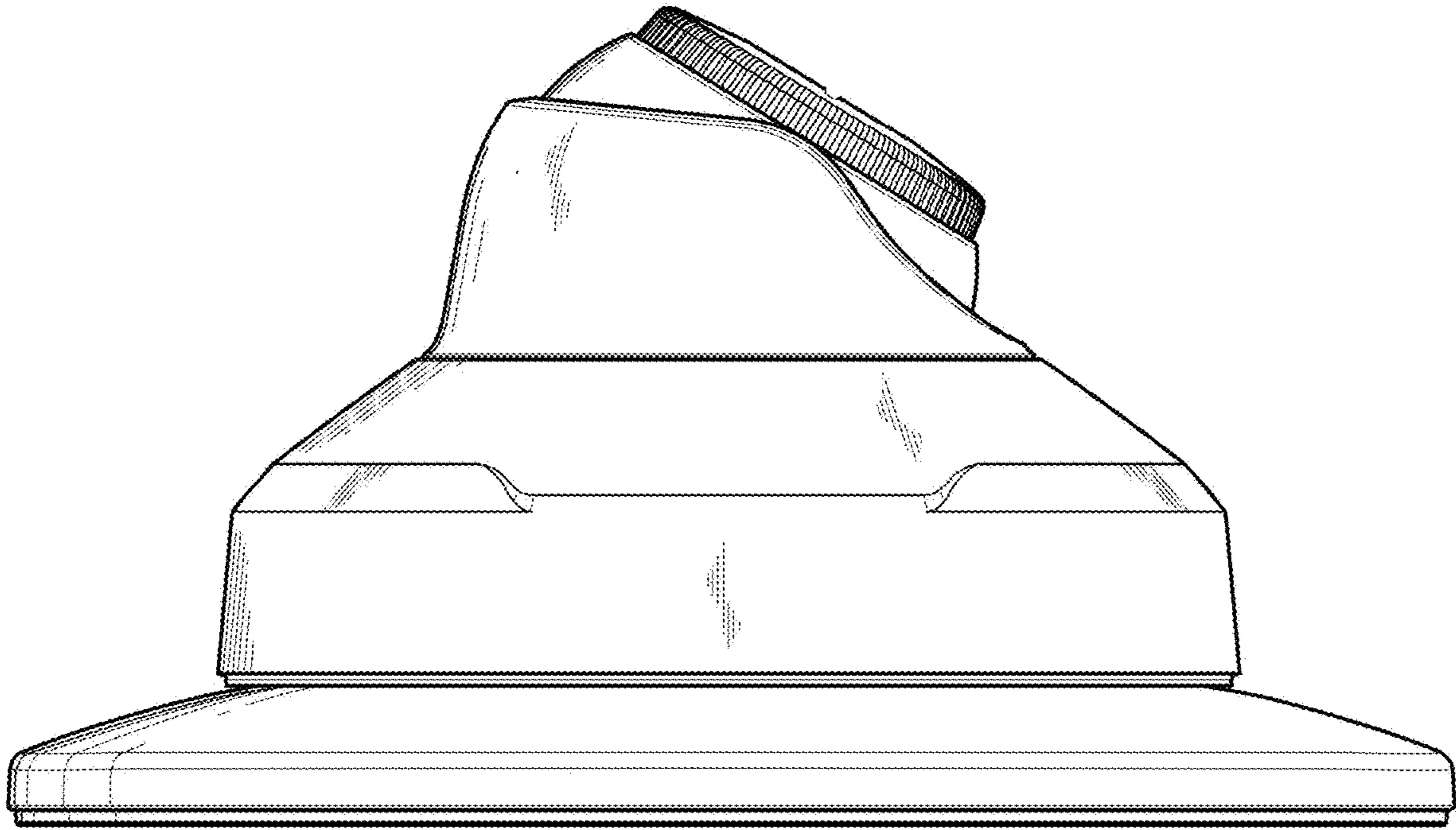


FIG. 4

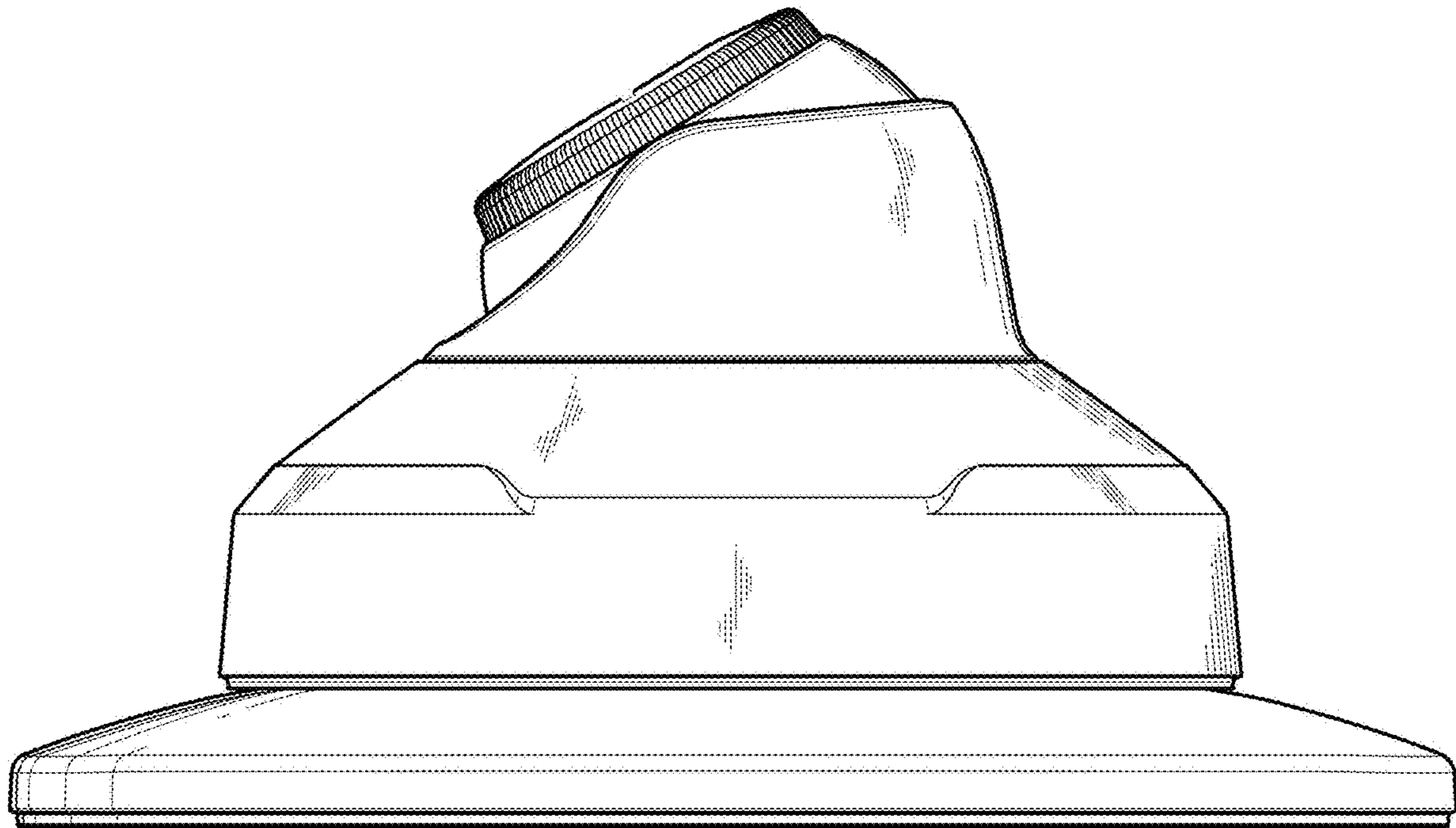


FIG. 5

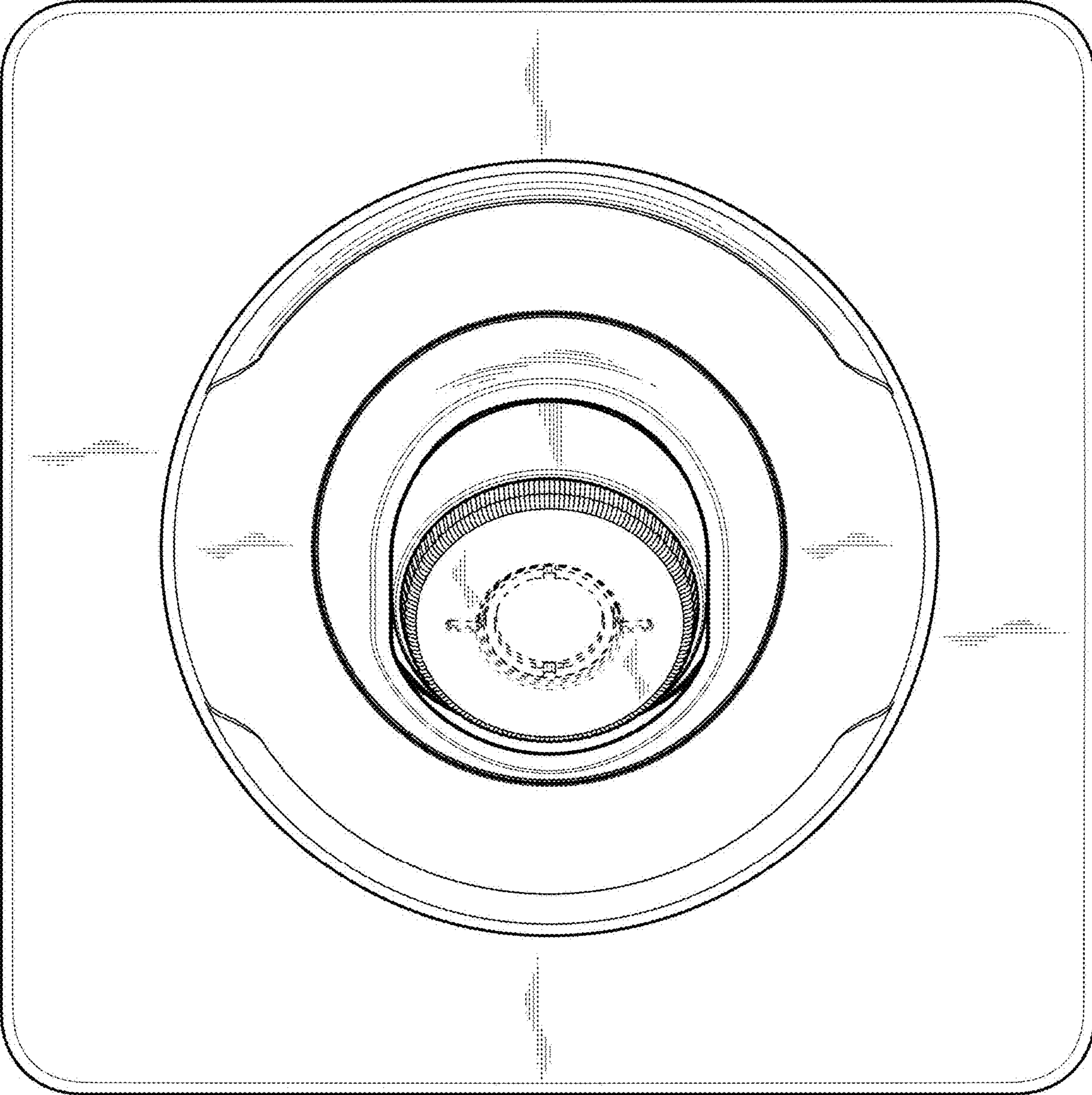


FIG. 6

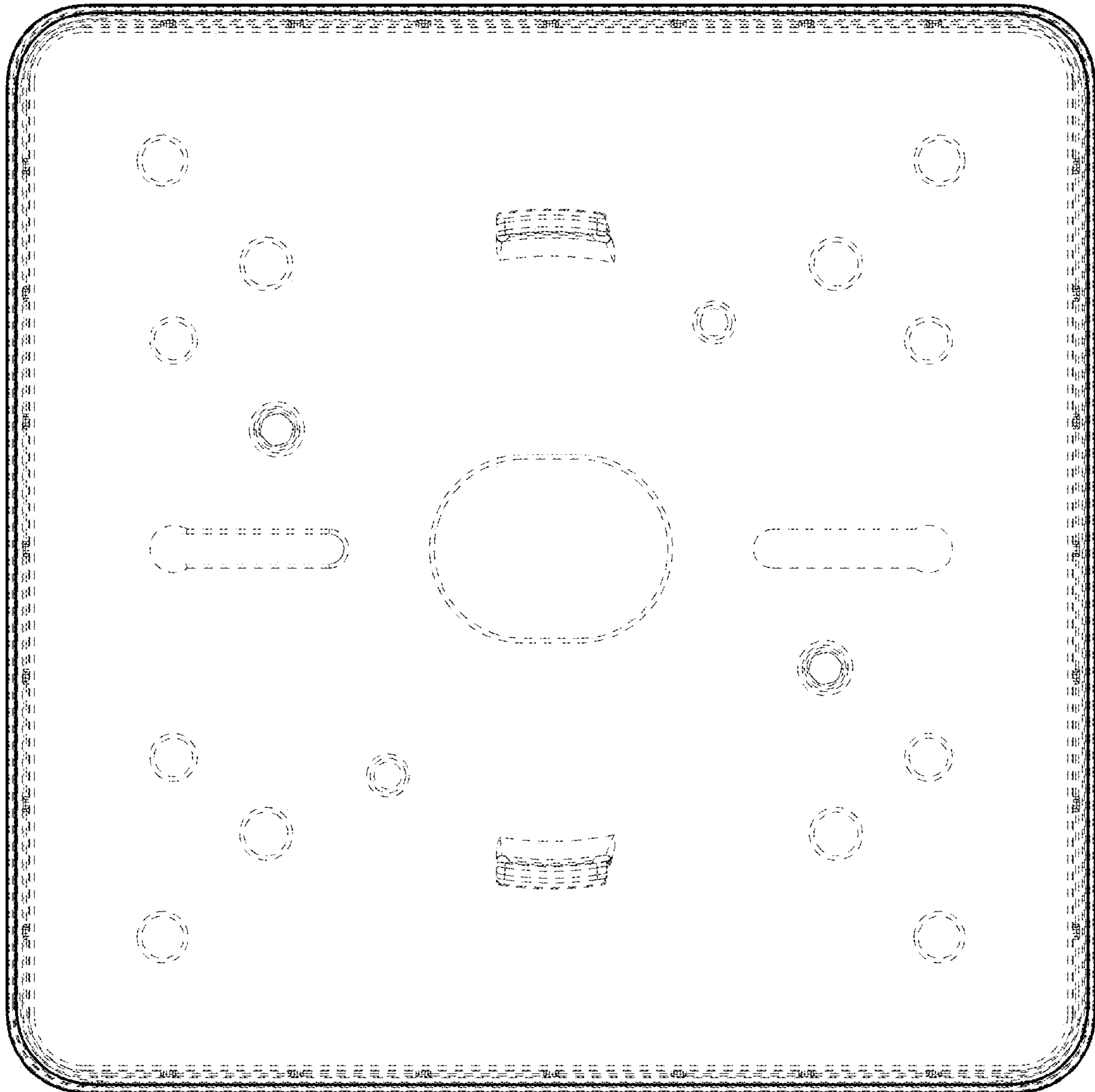


FIG. 7

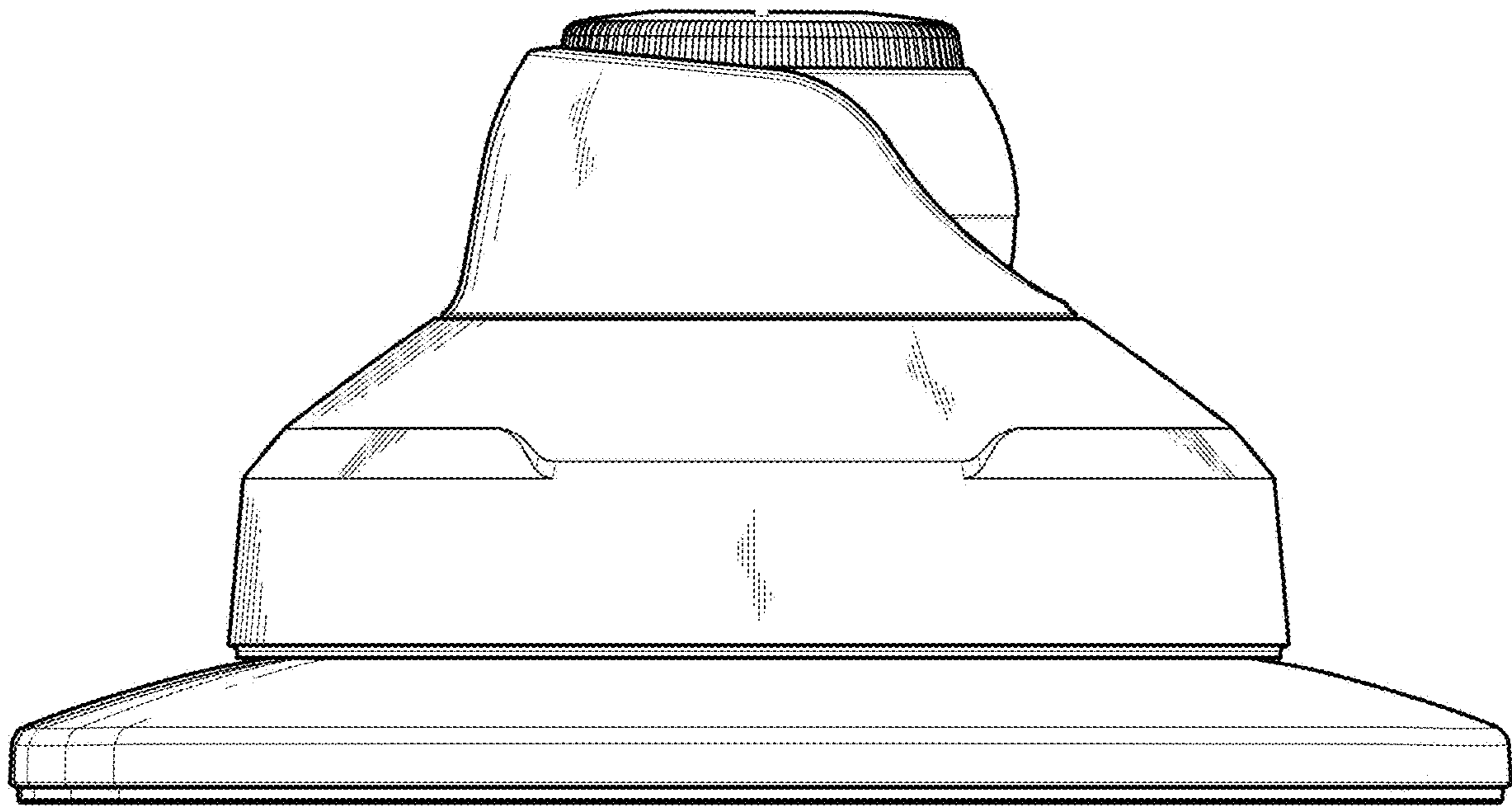


FIG. 8

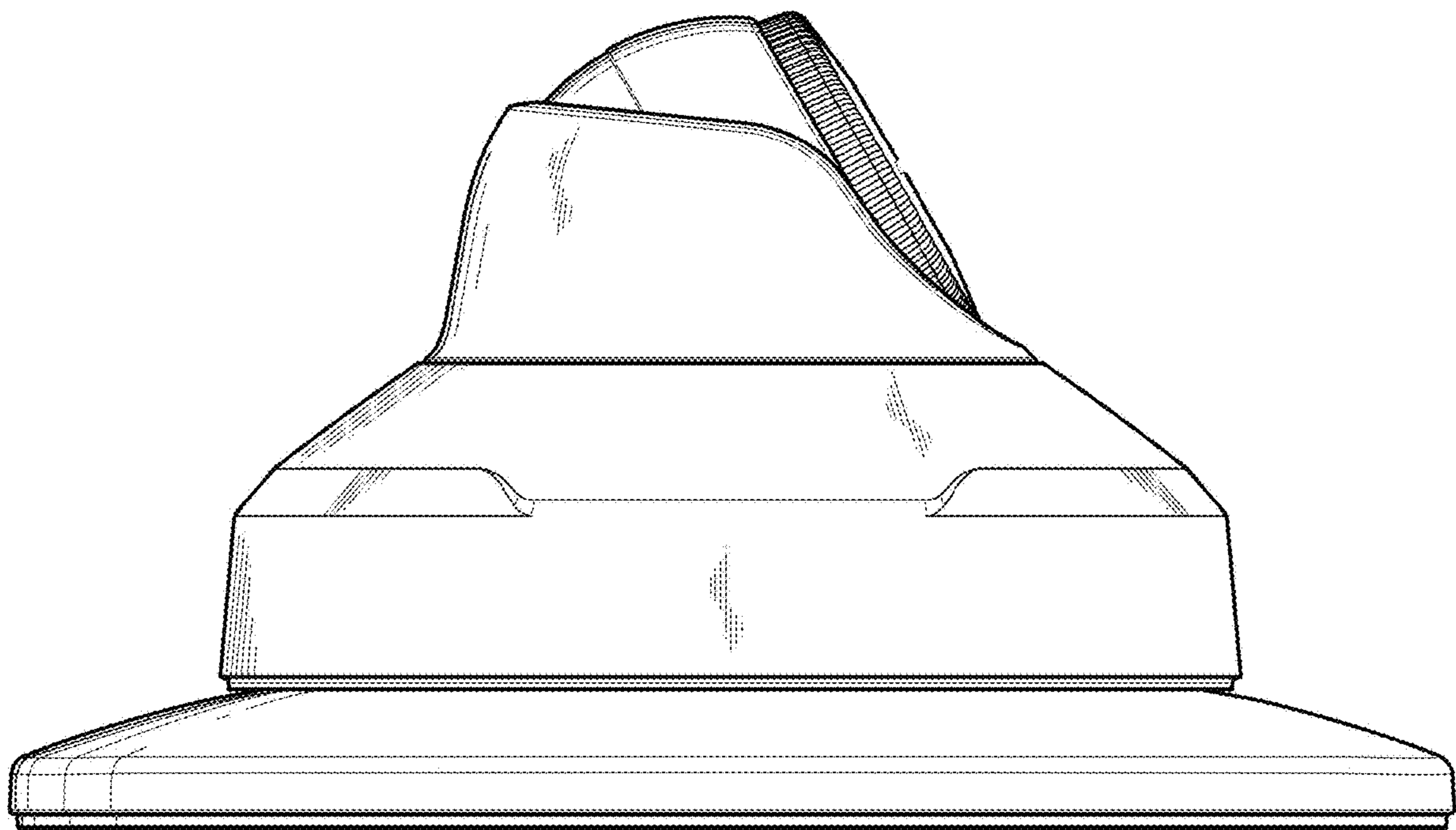


FIG. 9