



US00D871484S

(12) **United States Design Patent**  
**Wang**

(10) **Patent No.:** **US D871,484 S**

(45) **Date of Patent:** **\*\* Dec. 31, 2019**

(54) **SECURITY CAMERA**

(71) Applicant: **Shenzhen Reo-link Digital Technology Co., Ltd.**, Shenzhen (CN)

(72) Inventor: **Aijun Wang**, Shenzhen (CN)

(73) Assignee: **SHENZHEN REO-LINK DIGITAL TECHNOLOGY CO., LTD.**, Shenzhen (CN)

(\*\*) Term: **15 Years**

(21) Appl. No.: **29/654,085**

(22) Filed: **Jun. 21, 2018**

(51) **LOC (12) Cl.** ..... **16-01**

(52) **U.S. Cl.**  
USPC ..... **D16/203**

(58) **Field of Classification Search**  
USPC ..... D16/200–220, 131, 237, 242, 239, 250,  
D16/235, 130, 134, 136, 238;  
D14/138 C, 240, 248, 203.1, 203.3, 203.7,  
D14/218, 207; D10/104.1, 50, 65, 74,  
D10/70, 118.2, 106.6, 106.8; D6/542,  
D6/545

CPC . G02B 7/02; G02B 7/021; G02B 7/04; G02B  
7/14; G02B 7/003; G03B 17/00; G03B  
17/02; G03B 17/56; G03B 17/04; G03B  
17/14; G03B 17/08; G03B 15/03; G03B  
15/06; H04N 5/2251; H04N 5/2252;  
H04N 5/2253; H04N 5/2254; H04N 7/00;  
H04N 2101/00; F16M 13/00

See application file for complete search history.

(56) **References Cited**

**U.S. PATENT DOCUMENTS**

D489,744 S \* 5/2004 Muto ..... D16/203  
D563,450 S \* 3/2008 Cheng ..... D16/200  
D578,560 S \* 10/2008 Hsia ..... D16/203  
D607,033 S \* 12/2009 Arbuckle ..... D16/203  
D634,345 S \* 3/2011 Kim ..... D16/203  
D634,347 S \* 3/2011 Park ..... D16/203

D637,640 S \* 5/2011 Park ..... D16/203  
D638,871 S \* 5/2011 Bergstrom ..... D16/203  
D642,607 S \* 8/2011 Bergstrom ..... D16/203  
D643,453 S \* 8/2011 Ham ..... D16/203

(Continued)

**FOREIGN PATENT DOCUMENTS**

CN 303793760 \* 8/2016  
CN 303907034 \* 11/2016

(Continued)

**OTHER PUBLICATIONS**

RLK8-800B4, published Jun. 10, 2019 [online], [retrieved Sep. 6, 2019], Available from Internet, URL: [https://www.amazon.com/Security-8-Channel-Surveillance-Recording-RLK8-800B4/dp/B07K734ZTW?ref\\_ast\\_sto\\_dp](https://www.amazon.com/Security-8-Channel-Surveillance-Recording-RLK8-800B4/dp/B07K734ZTW?ref_ast_sto_dp)\*

*Primary Examiner* — T Chase Nelson

*Assistant Examiner* — Mary Claire Ramirez

(57) **CLAIM**

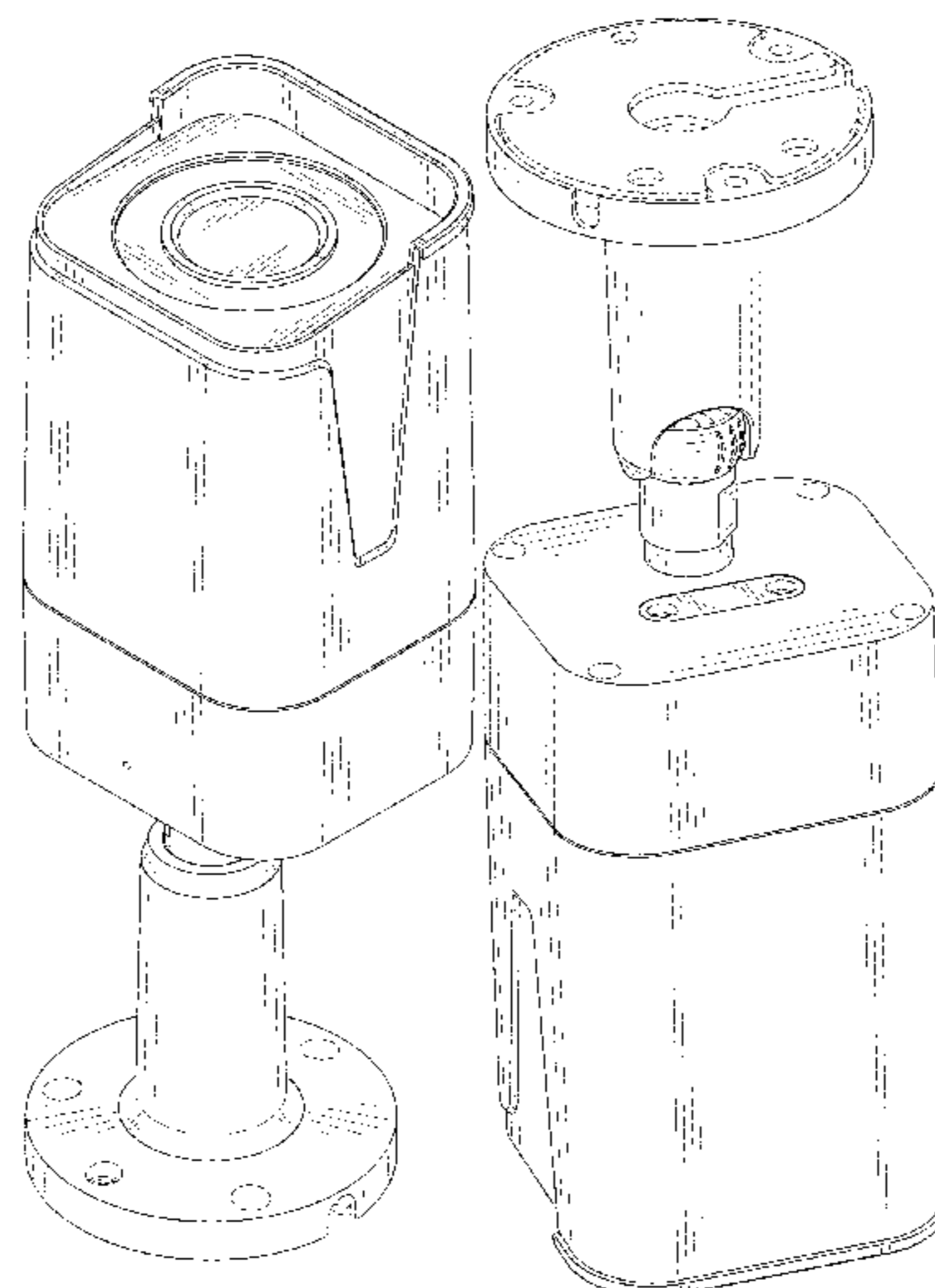
The ornamental design for a security camera, as shown and described.

**DESCRIPTION**

FIG. 1 is a front, right, top perspective view of a security camera showing my new design;  
FIG. 2 is a rear, left, bottom perspective view thereof;  
FIG. 3 is a front elevational view thereof;  
FIG. 4 is a rear elevational view thereof;  
FIG. 5 is a left side elevational view thereof;  
FIG. 6 is a right side elevational view thereof;  
FIG. 7 is a top plan view thereof;  
FIG. 8 is a bottom plan view thereof; and,  
FIG. 9 is a front, right, top perspective view of the security camera in an alternate configuration.

The broken lines are for the purposes of illustrating portions of the security camera and form no part of the claimed design.

**1 Claim, 9 Drawing Sheets**



(56)

References Cited

U.S. PATENT DOCUMENTS

D691,187 S \* 10/2013 Seo ..... D16/203  
 D698,846 S \* 2/2014 Isozaki ..... D16/202  
 D702,274 S \* 4/2014 Qian ..... D16/203  
 D711,953 S \* 8/2014 Isozaki ..... D16/202  
 D723,603 S \* 3/2015 Hess, Jr. .... D16/203  
 9,004,785 B1 \* 4/2015 Mohan ..... G03B 17/561  
 348/143  
 D739,452 S \* 9/2015 Adams ..... D16/203  
 D741,933 S \* 10/2015 Bergstrom ..... D16/203  
 D742,953 S \* 11/2015 Li ..... D16/202  
 D743,467 S \* 11/2015 Bhattacharya ..... D16/203  
 D746,350 S \* 12/2015 Li ..... D16/203  
 D748,710 S \* 2/2016 Bergstrom ..... D16/203  
 D812,670 S \* 3/2018 Andersson ..... D16/203  
 D815,176 S \* 4/2018 Ahman ..... D16/203  
 D816,143 S \* 4/2018 Ahman ..... D16/203  
 D823,369 S \* 7/2018 Wang ..... D16/203

D829,802 S \* 10/2018 Park ..... D16/203  
 D835,697 S \* 12/2018 Andersson ..... D16/203  
 D836,149 S \* 12/2018 Ahman ..... D16/203  
 D838,760 S \* 1/2019 Ahman ..... D16/203  
 D848,503 S \* 5/2019 Ahman ..... D16/203  
 D854,509 S \* 7/2019 Wu ..... D14/168  
 D857,777 S \* 8/2019 Rosenkvist ..... D16/203  
 2015/0358511 A1 \* 12/2015 Jung ..... H04N 5/2252  
 348/143  
 2017/0171436 A1 \* 6/2017 Fagerkvist ..... F16C 11/06  
 2017/0357146 A1 \* 12/2017 Parisi ..... G03B 17/561

FOREIGN PATENT DOCUMENTS

CN 304625067 \* 10/2017  
 CN 304572487 \* 11/2017  
 CN 304642702 \* 5/2018  
 CN 304665377 \* 6/2018  
 EM 003415553-0001 \* 10/2016

\* cited by examiner

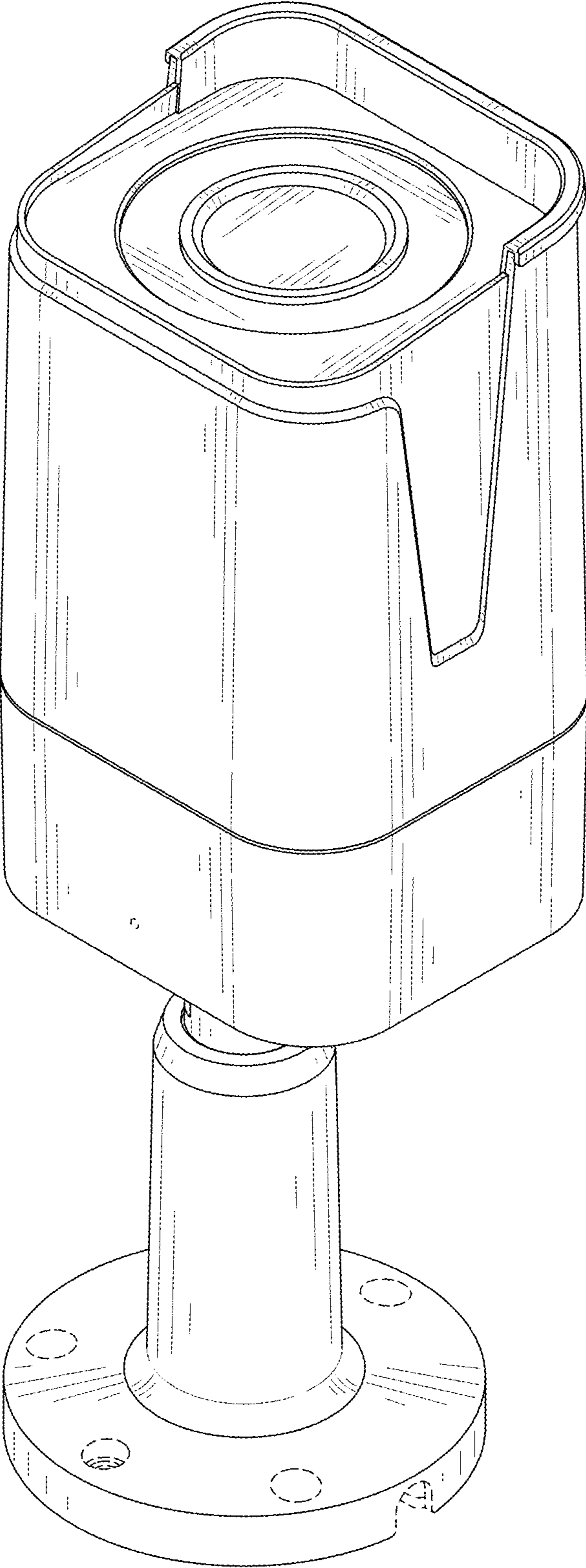


FIG. 1

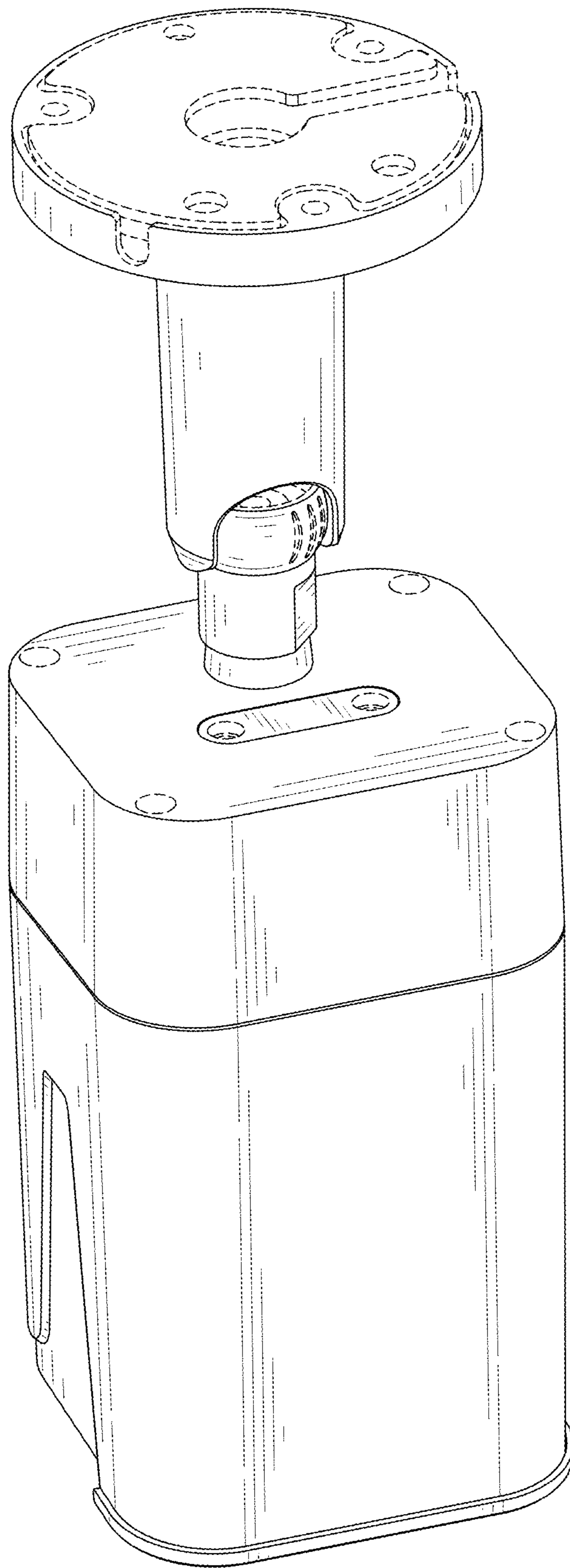


FIG. 2

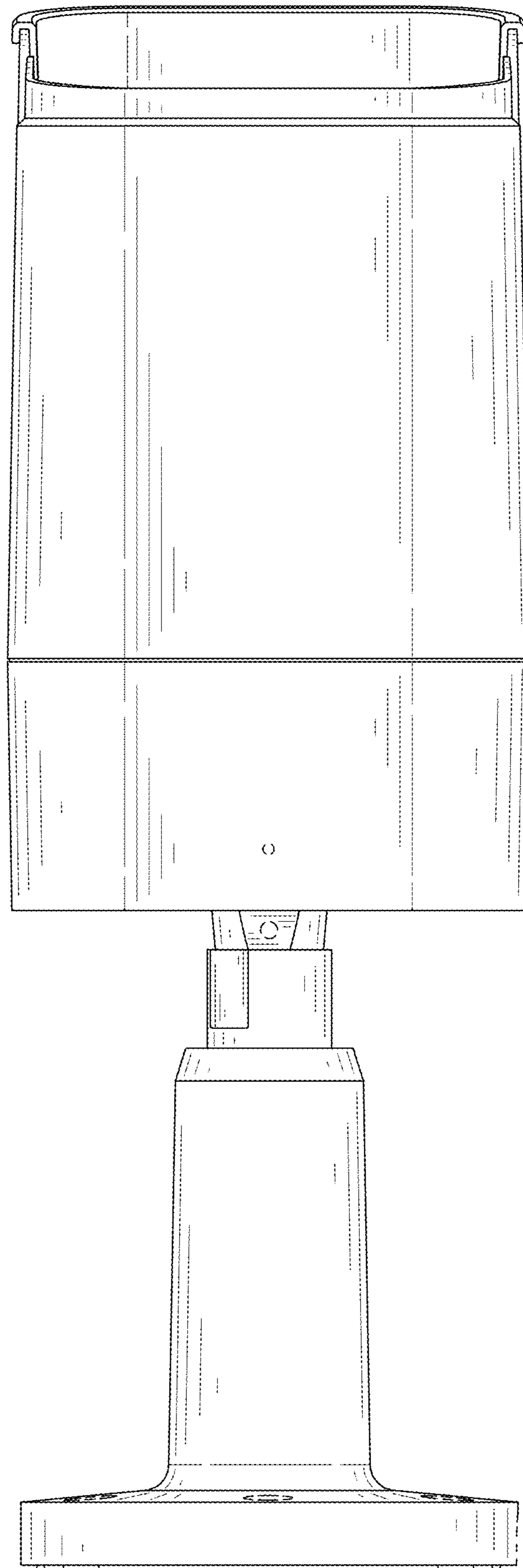


FIG. 3

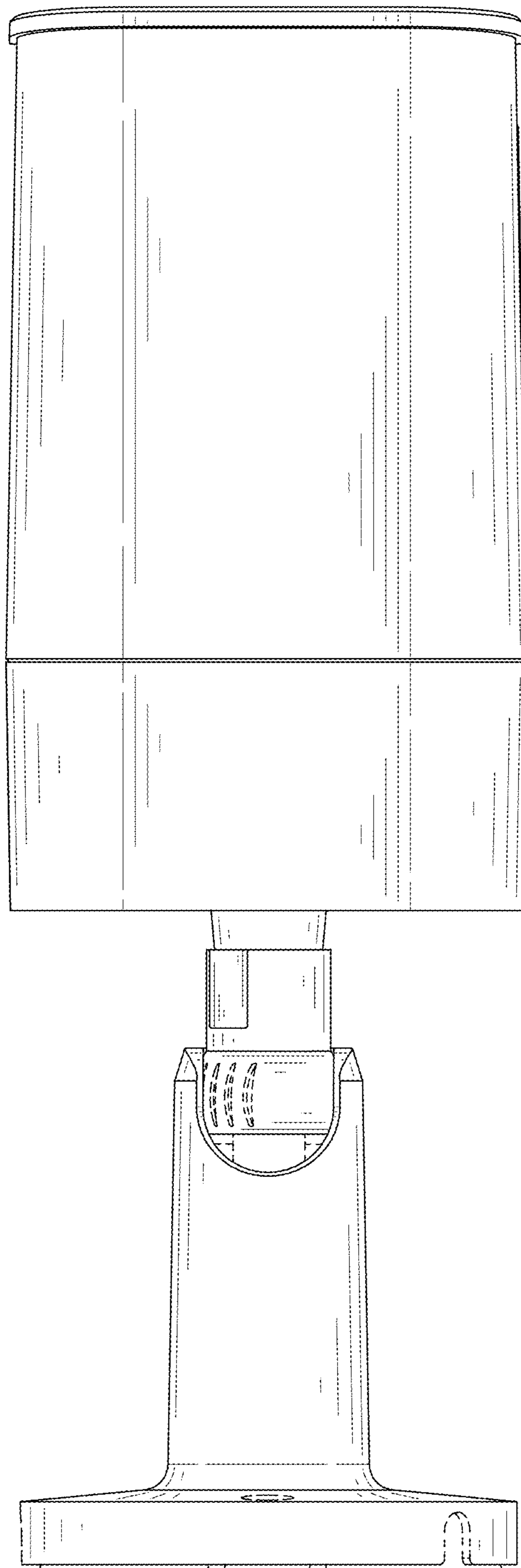


FIG. 4

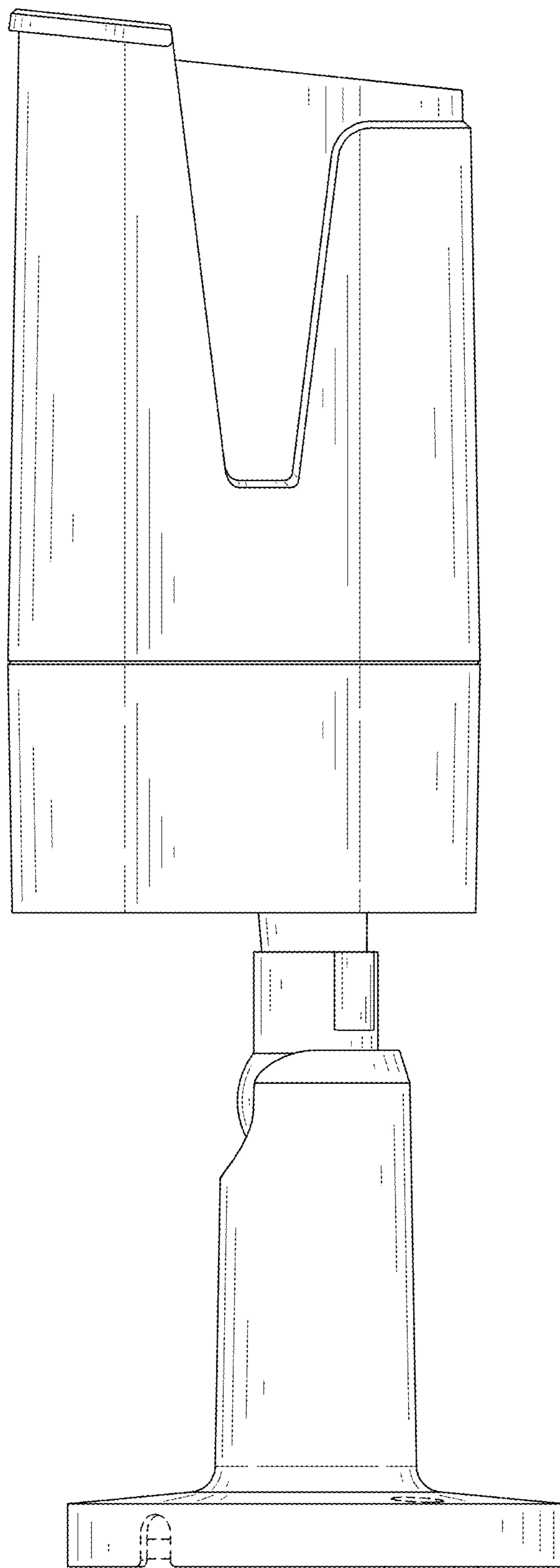


FIG. 5

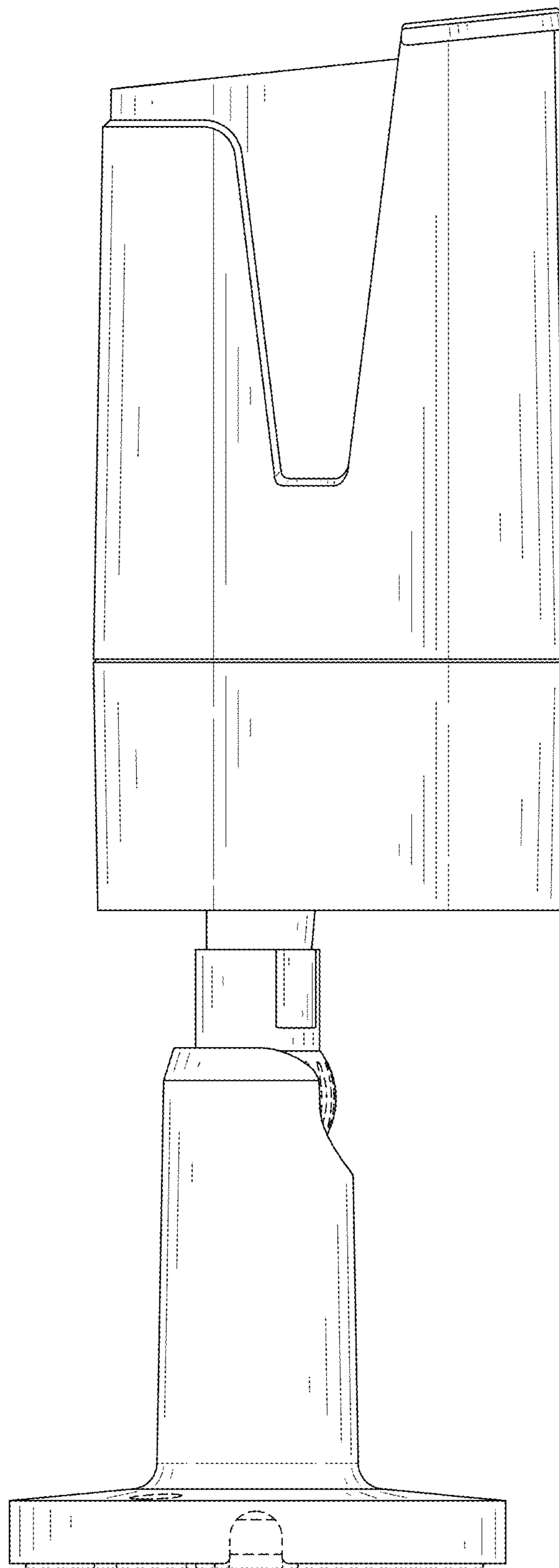


FIG. 6



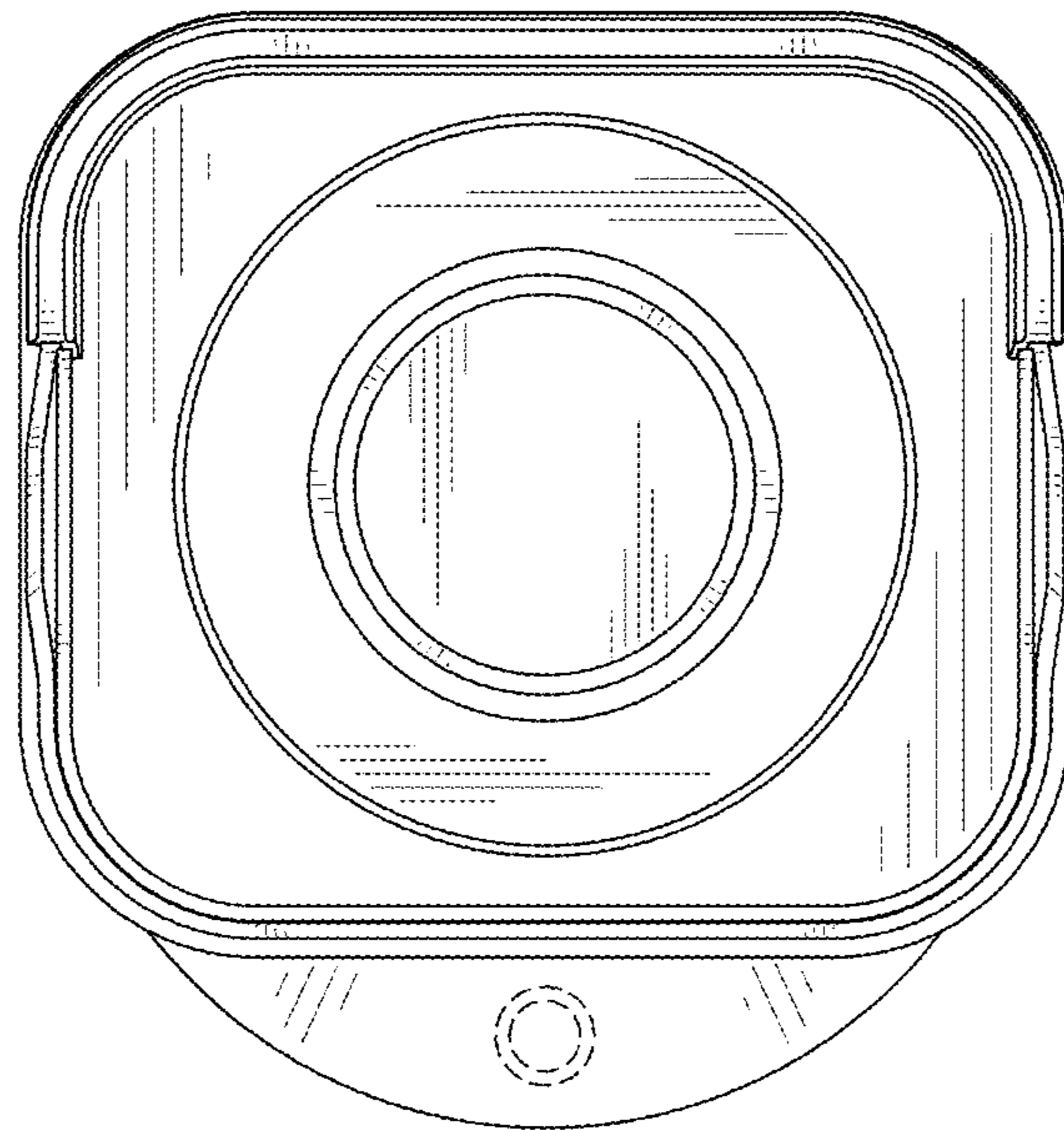


FIG. 7

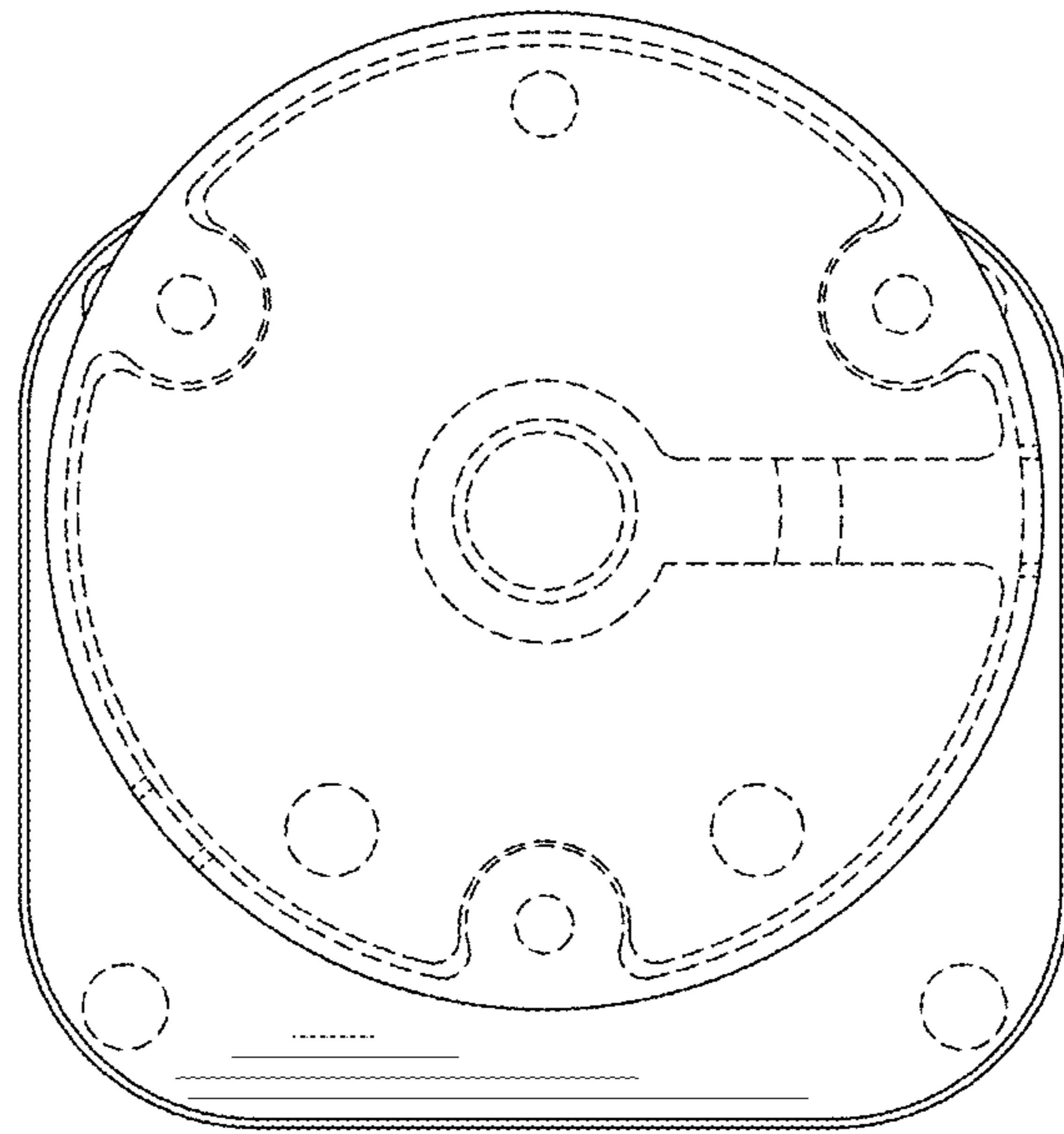


FIG. 8

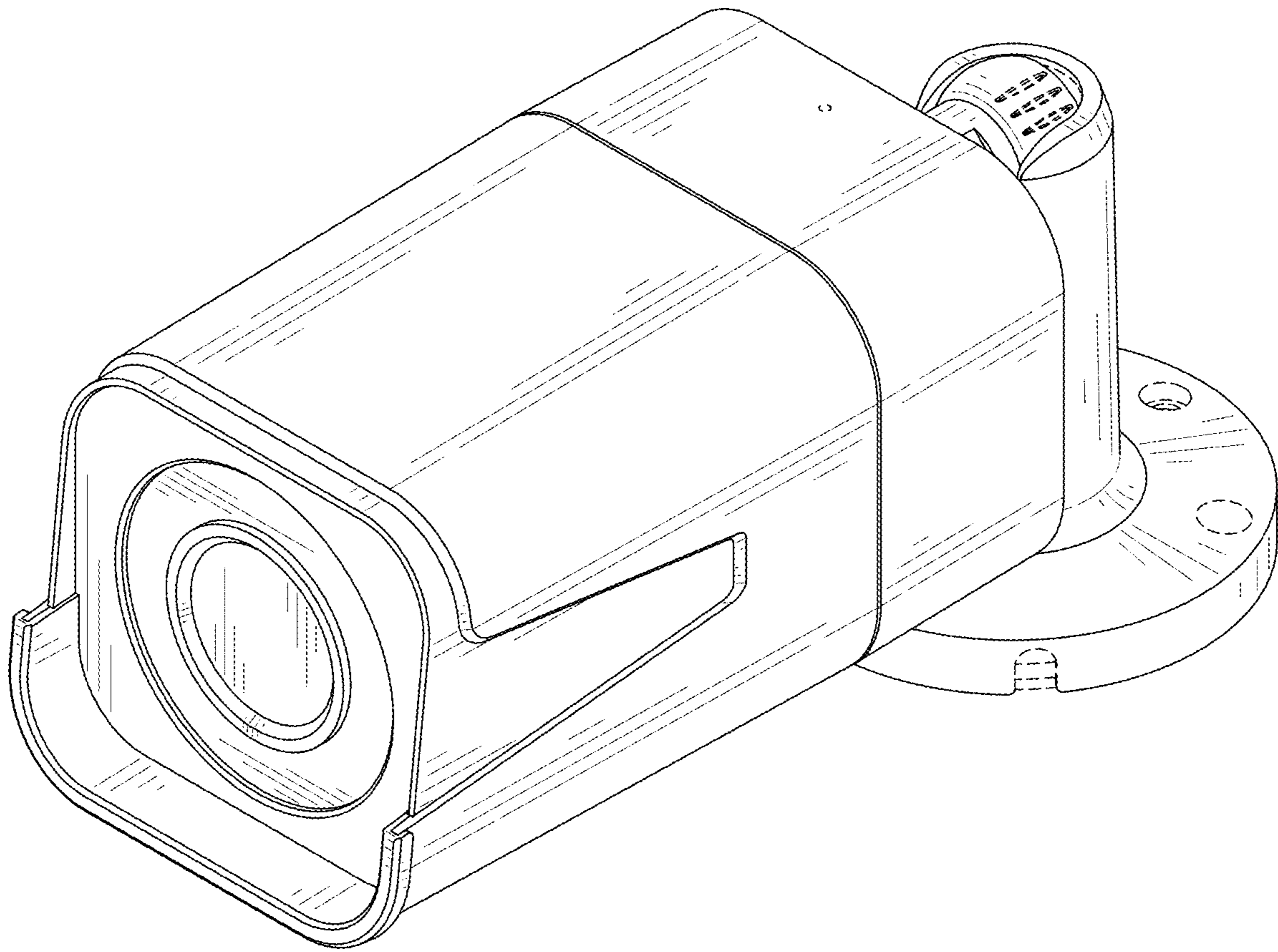


FIG. 9