



US00D871483S

(12) **United States Design Patent**
Chang et al.

(10) **Patent No.:** **US D871,483 S**

(45) **Date of Patent:** **** Dec. 31, 2019**

- (54) **DOORBELL CAMERA**
- (71) Applicant: **Quanta Computer Inc.**, Taoyuan (TW)
- (72) Inventors: **Chia-Yuan Chang**, Taoyuan (TW);
Jung-Wen Chang, Taoyuan (TW);
Juan-Jung Li, Taoyuan (TW)
- (73) Assignee: **QUANTA COMPUTER INC.**,
Guishan Dist., Taoyuan (TW)
- (**) Term: **15 Years**
- (21) Appl. No.: **29/631,401**
- (22) Filed: **Dec. 29, 2017**
- (30) **Foreign Application Priority Data**

D464,365 S *	10/2002	Su	D16/202
D475,381 S *	6/2003	Komatsu	D16/202
D477,344 S *	7/2003	Ng	D16/202
D478,888 S *	8/2003	Ng	D14/203.3
D481,404 S *	10/2003	Ng	D16/202
D534,938 S *	1/2007	Beasley	D14/130
D552,143 S *	10/2007	Kojima	D16/202
D556,231 S *	11/2007	Kato	D16/202
D590,863 S *	4/2009	Ke	D16/202
D595,167 S *	6/2009	Au Yeung	D10/70
D627,815 S *	11/2010	Oba	D16/202
D666,512 S *	9/2012	Gresko	D10/70
D721,113 S *	1/2015	Huang	D16/202
D746,889 S *	1/2016	Moon	D16/203
D754,233 S *	4/2016	Du	D16/211
D788,834 S *	6/2017	Bhattacharya	D16/203
D792,301 S *	7/2017	Zhu	D12/202
D794,694 S *	8/2017	Liu	D16/203
D795,937 S *	8/2017	Chang	D16/202

(Continued)

- Dec. 8, 2017 (TW) 106307235
- (51) **LOC (12) Cl.** **16-01**
- (52) **U.S. Cl.**
USPC **D16/203; D16/208; D10/118.2**
- (58) **Field of Classification Search**
USPC D16/200-220, 131, 237, 242, 239, 250,
D16/235, 130, 134, 136, 238;
D14/138 C, 240, 248, 203.1, 203.3,
D14/203.7; D10/104.1, 50, 65, 74, 70,
D10/118.2
CPC ... G02B 7/02; G02B 7/04; G02B 7/14; G02B
3/14; G03B 17/00; G03B 17/02; G03B
17/56; G03B 17/04; G03B 17/14; G03B
15/03; G03B 9/08; H04N 5/2251; H04N
5/2252; H04N 5/2253; H04N 5/2254;
H04N 7/00; H04N 2101/00; F16M 13/00
See application file for complete search history.

Primary Examiner — T Chase Nelson
Assistant Examiner — Mary Claire Ramirez
 (74) *Attorney, Agent, or Firm* — McClure, Qualey &
 Rodack, LLP

(57) **CLAIM**

The ornamental design for a doorbell camera, as shown and described.

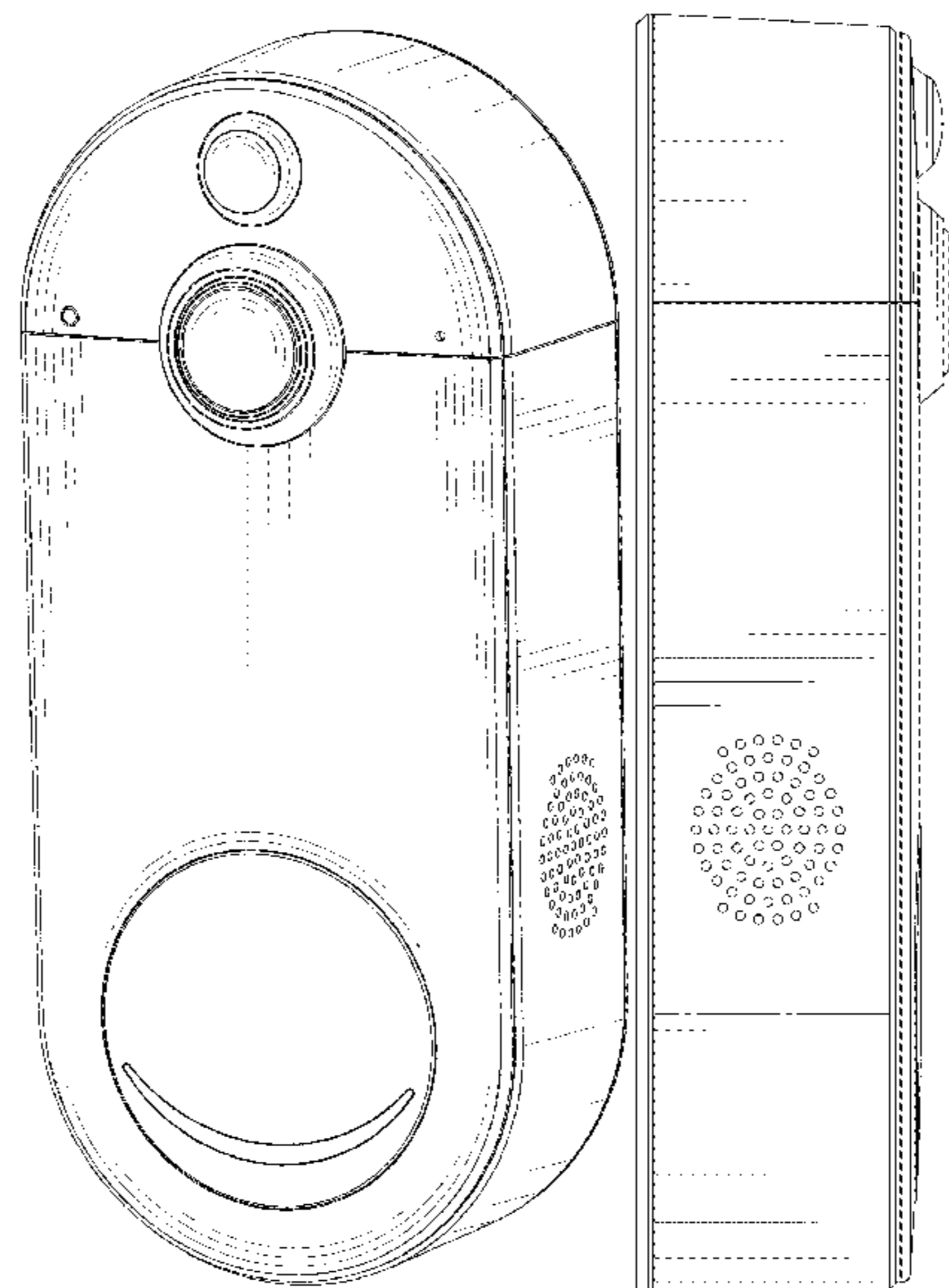
DESCRIPTION

FIG. 1 is a perspective view of a doorbell camera, showing our new design;
 FIG. 2 is a front view thereof;
 FIG. 3 is a rear view thereof;
 FIG. 4 is a left side view thereof;
 FIG. 5 is a right side view thereof;
 FIG. 6 is a top plan view thereof; and,
 FIG. 7 is a bottom plan view thereof.
 The broken lines in the drawings depict portions of the doorbell camera that form no part of the claimed design.

(56) **References Cited**
 U.S. PATENT DOCUMENTS

D301,694 S *	6/1989	Ahlers	D10/49
D357,201 S *	4/1995	Novack	D10/104.1

1 Claim, 6 Drawing Sheets



(56)

References Cited

U.S. PATENT DOCUMENTS

D796,569	S	*	9/2017	Chang	D16/218
D798,360	S	*	9/2017	Jeong	D16/203
D802,644	S	*	11/2017	Lee	D16/202
D803,922	S	*	11/2017	Chang	D16/203
D805,570	S	*	12/2017	Shi	D16/202
D806,154	S	*	12/2017	Shi	D16/202
D810,168	S	*	2/2018	Shi	D16/202
D824,984	S	*	8/2018	Zhiyong	D16/203
D828,200	S	*	9/2018	Ahman	D10/118.2
D828,201	S	*	9/2018	Jeong	D10/118.2
D829,585	S	*	10/2018	Siminoff	D10/118.2
D830,872	S	*	10/2018	Jacob	D10/118.2
D833,313	S	*	11/2018	Siminoff	D10/118.2
D836,147	S	*	12/2018	Rao	D16/203
D840,460	S	*	2/2019	Scalisi	D16/203
D848,299	S	*	5/2019	Li	D10/118.2
D850,314	S	*	6/2019	Laurans	D10/118.2
D850,315	S	*	6/2019	Laurans	D10/118.2
D853,264	S	*	7/2019	Laurans	D10/118.2
D853,265	S	*	7/2019	Grearson	D10/118.2
D854,958	S	*	7/2019	Siminoff	D10/118.2
D856,838	S	*	8/2019	Siminoff	D10/118.2
D858,338	S	*	9/2019	Yu	D10/118.2
2013/0038728	A1	*	2/2013	Kim	H04N 5/2252 348/143
2014/0049638	A1	*	2/2014	Huang	H04N 5/2252 348/143

* cited by examiner

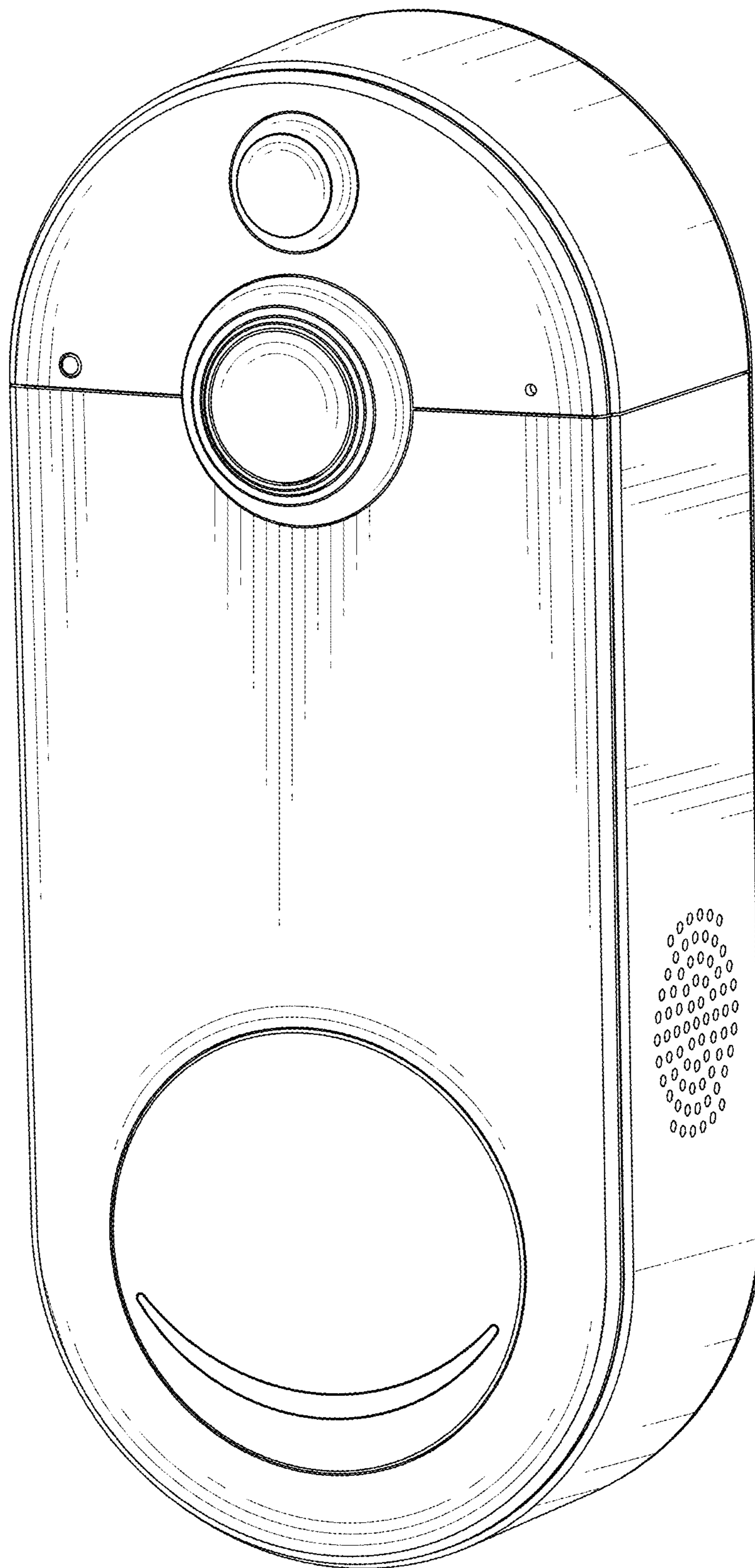


FIG. 1

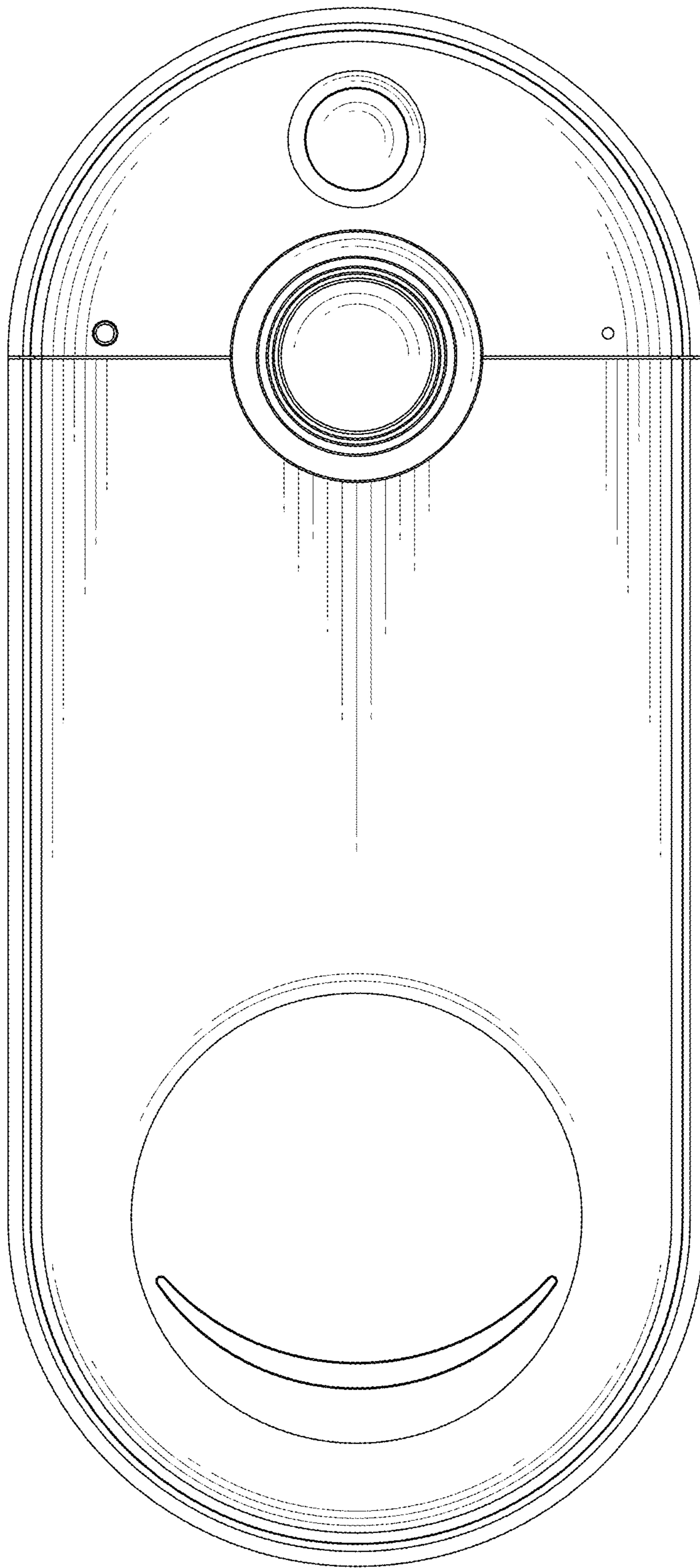


FIG. 2

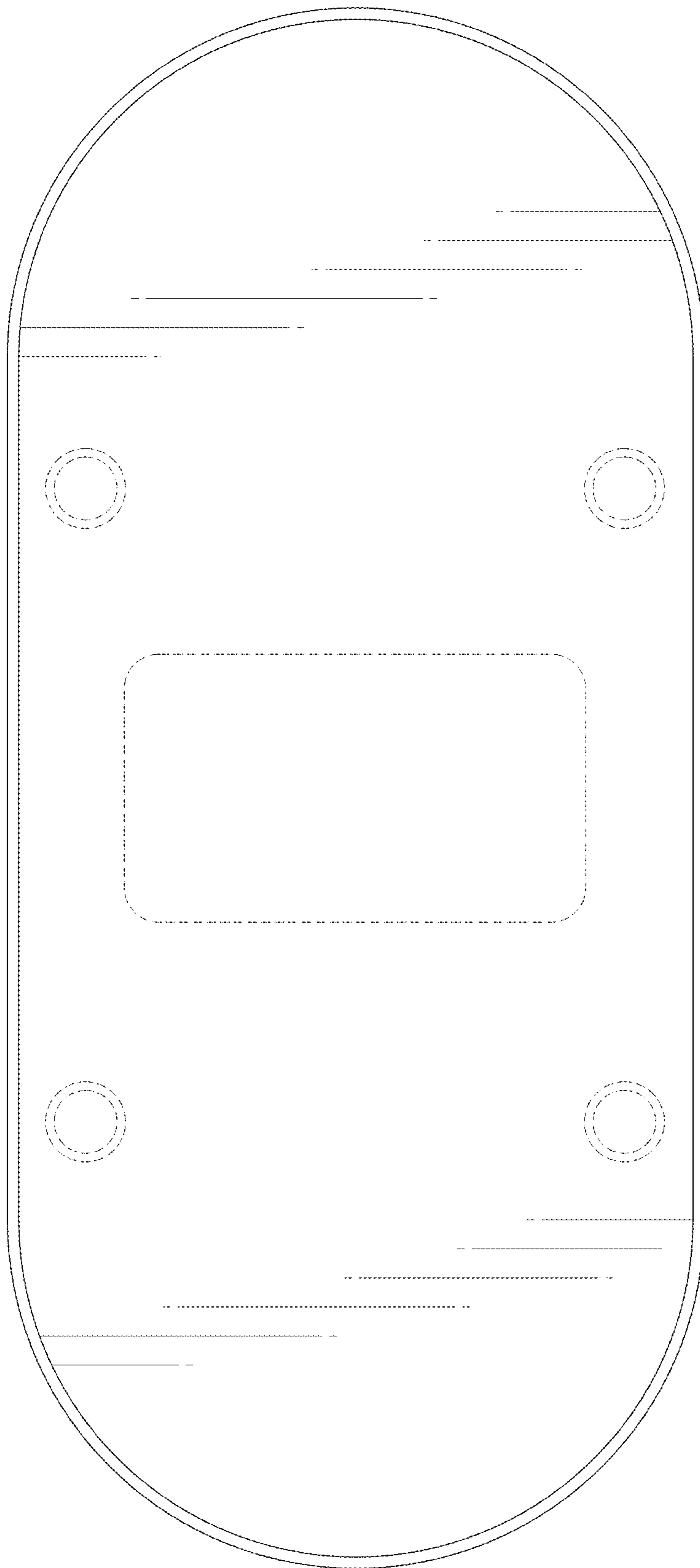


FIG. 3

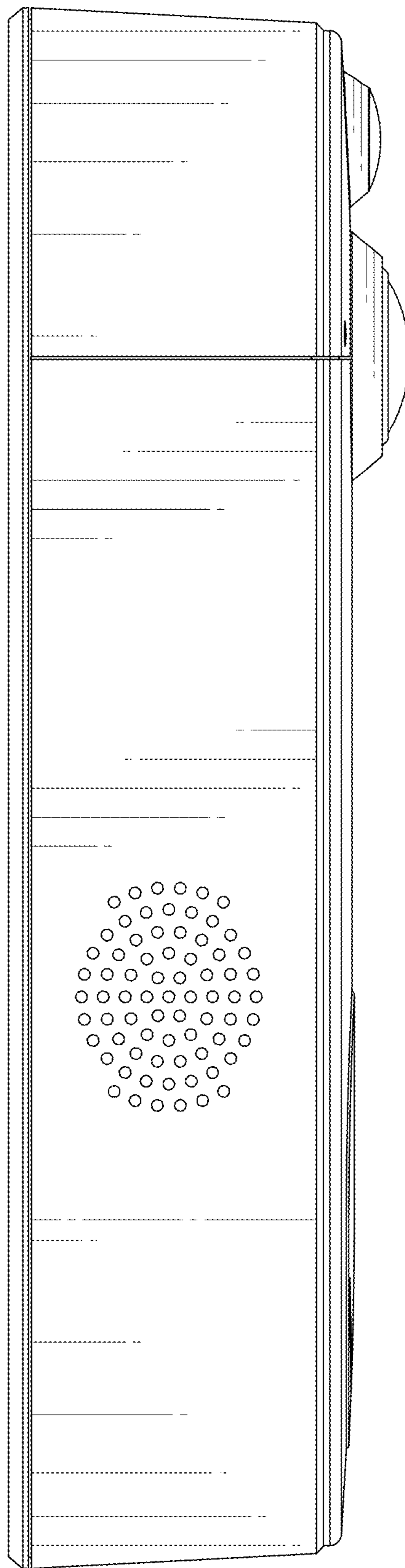


FIG. 4

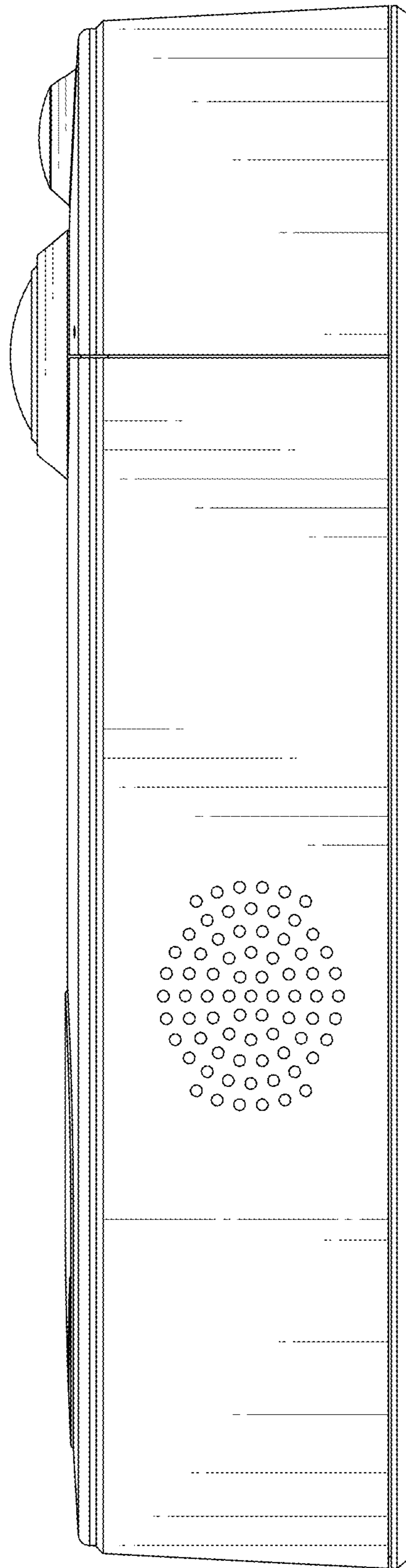


FIG. 5

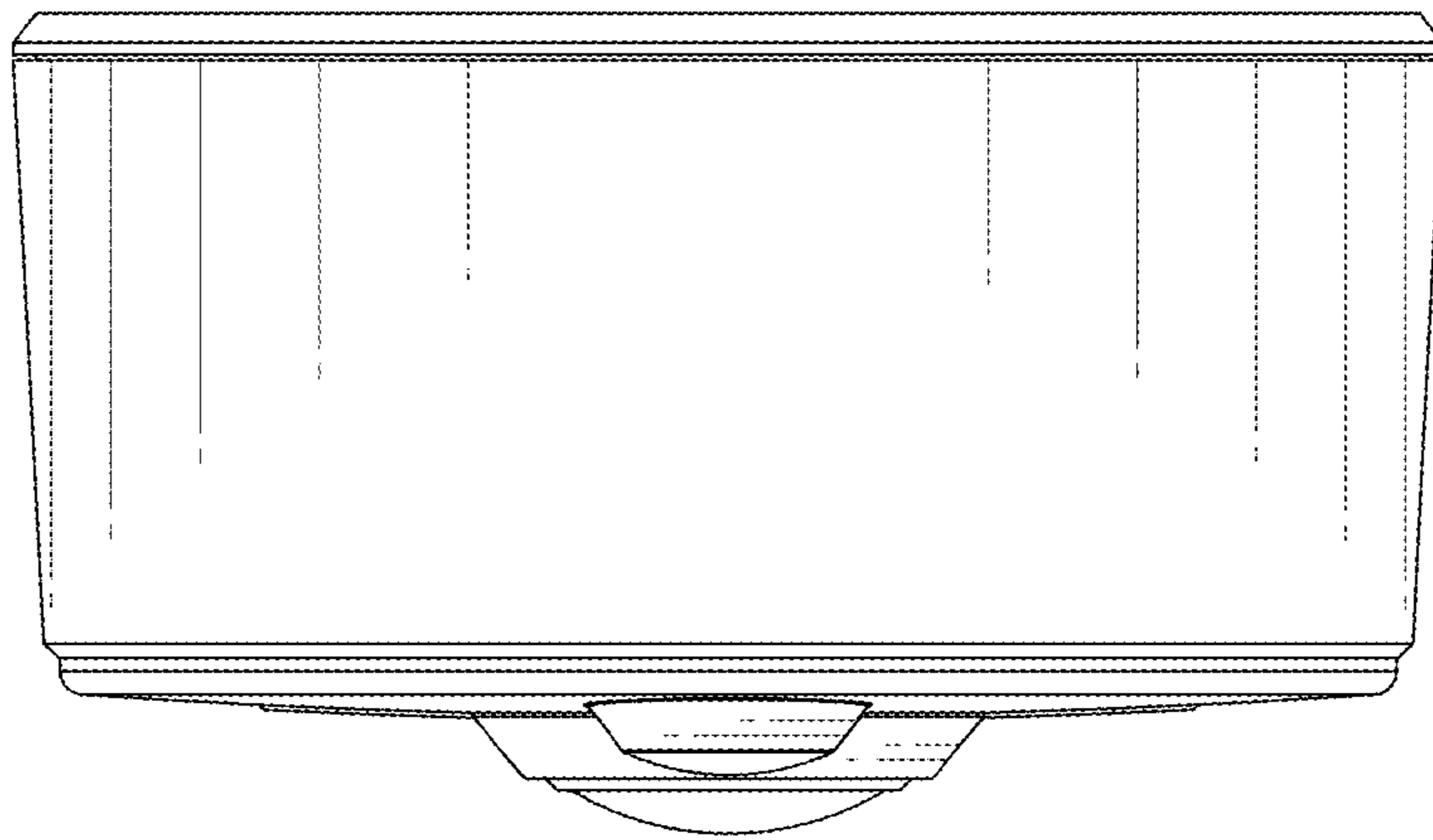


FIG. 6

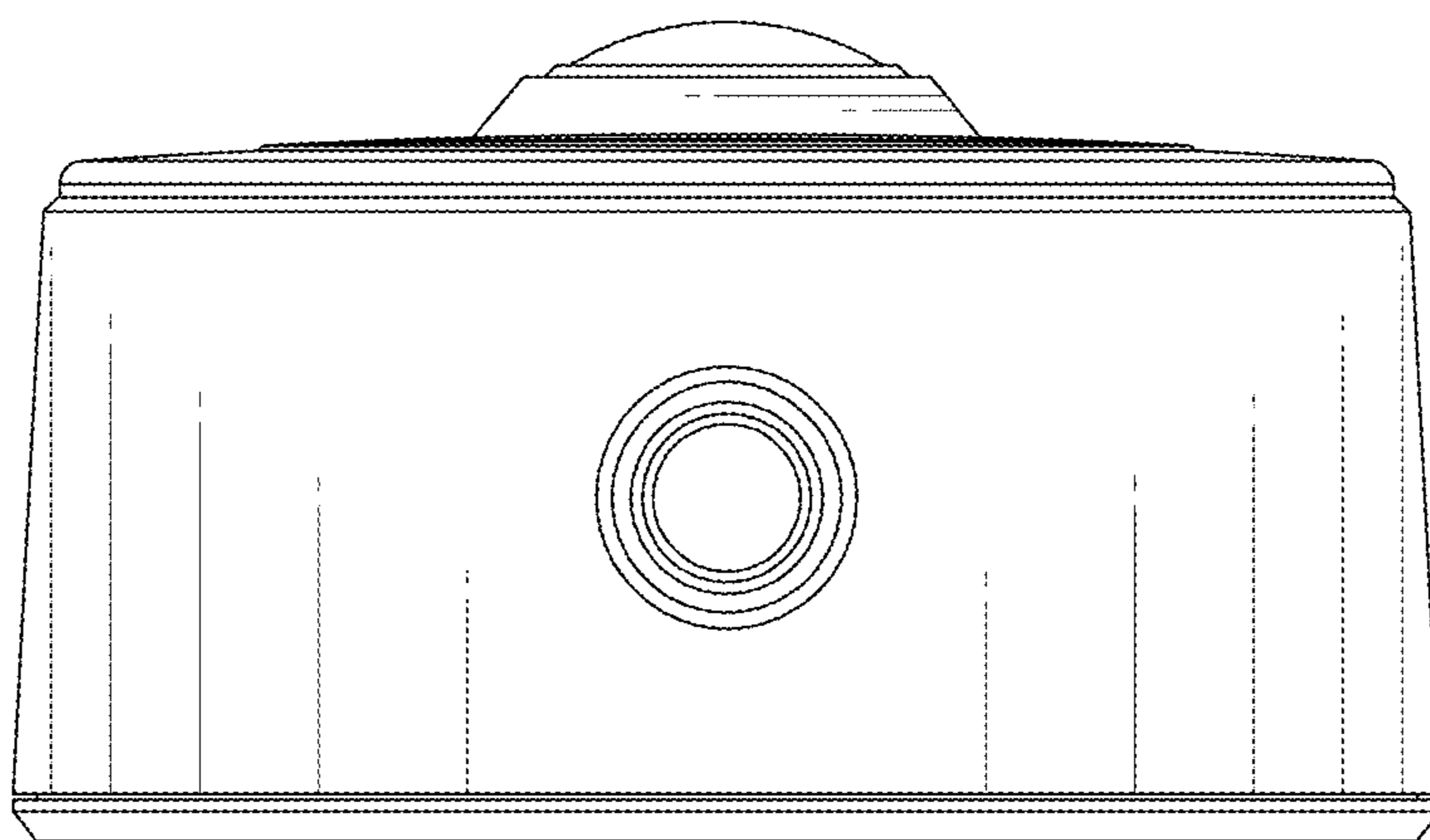


FIG. 7