

US00D871482S

(12) **United States Design Patent** (10) **Patent No.:** **US D871,482 S**
Liao et al. (45) **Date of Patent:** **** Dec. 31, 2019**

(54) **HIDDEN CAMERA**
(71) Applicants: **Chia-Min Liao**, Taipei (TW); **Chu-An Wang**, Taipei (TW); **Ting-Wei Wu**, Taipei (TW)
(72) Inventors: **Chia-Min Liao**, Taipei (TW); **Chu-An Wang**, Taipei (TW); **Ting-Wei Wu**, Taipei (TW)
(73) Assignee: **COMPAL ELECTRONICS, INC.**, Taipei (TW)

D729,861 S * 5/2015 Huang D16/203
D730,966 S * 6/2015 Liu D16/202
D731,579 S * 6/2015 Bart D16/203
D742,955 S * 11/2015 Kozko D16/207
D768,750 S * 10/2016 Pfeil D16/207
D785,070 S * 4/2017 Mistry D16/207
D792,496 S * 7/2017 Meyer D16/207
D834,083 S * 11/2018 Matsumoto D16/202
D849,100 S * 5/2019 Hsu D16/210
2011/0128349 A1 * 6/2011 Theobald H04N 5/23238
348/36
2013/0258102 A1 * 10/2013 Chen G03B 17/02
348/143

(**) Term: **15 Years**

* cited by examiner

(21) Appl. No.: **29/627,811**

Primary Examiner — Ramzi S Almatrahi
(74) *Attorney, Agent, or Firm* — JCIPRNET

(22) Filed: **Nov. 29, 2017**

(51) **LOC (12) Cl.** **16-01**

(57) **CLAIM**

(52) **U.S. Cl.**
USPC **D16/203**

The ornamental design for a hidden camera, as shown and described.

(58) **Field of Classification Search**
USPC D16/200, 202–208, 218, 219, 242;
348/143, 148, 151, 373–376; 396/419,
396/427, 535, 539–541
CPC G03B 17/02; G03B 19/04; G03B 17/56;
G03B 17/04; G03B 15/03; H04N 5/2251;
H04N 5/2252; H04N 5/2253; H04N
5/2254; H04N 7/181; H04N 7/183; H04N
7/18; G08B 13/1963; G08B 13/19619;
G08B 13/19632

DESCRIPTION

See application file for complete search history.

FIG. 1 is a perspective view of a hidden camera showing our new design;
FIG. 2 is a front view thereof;
FIG. 3 is a rear view thereof;
FIG. 4 is a left side view thereof;
FIG. 5 is a right side view thereof;
FIG. 6 is a top view thereof; and,
FIG. 7 is a bottom view thereof.

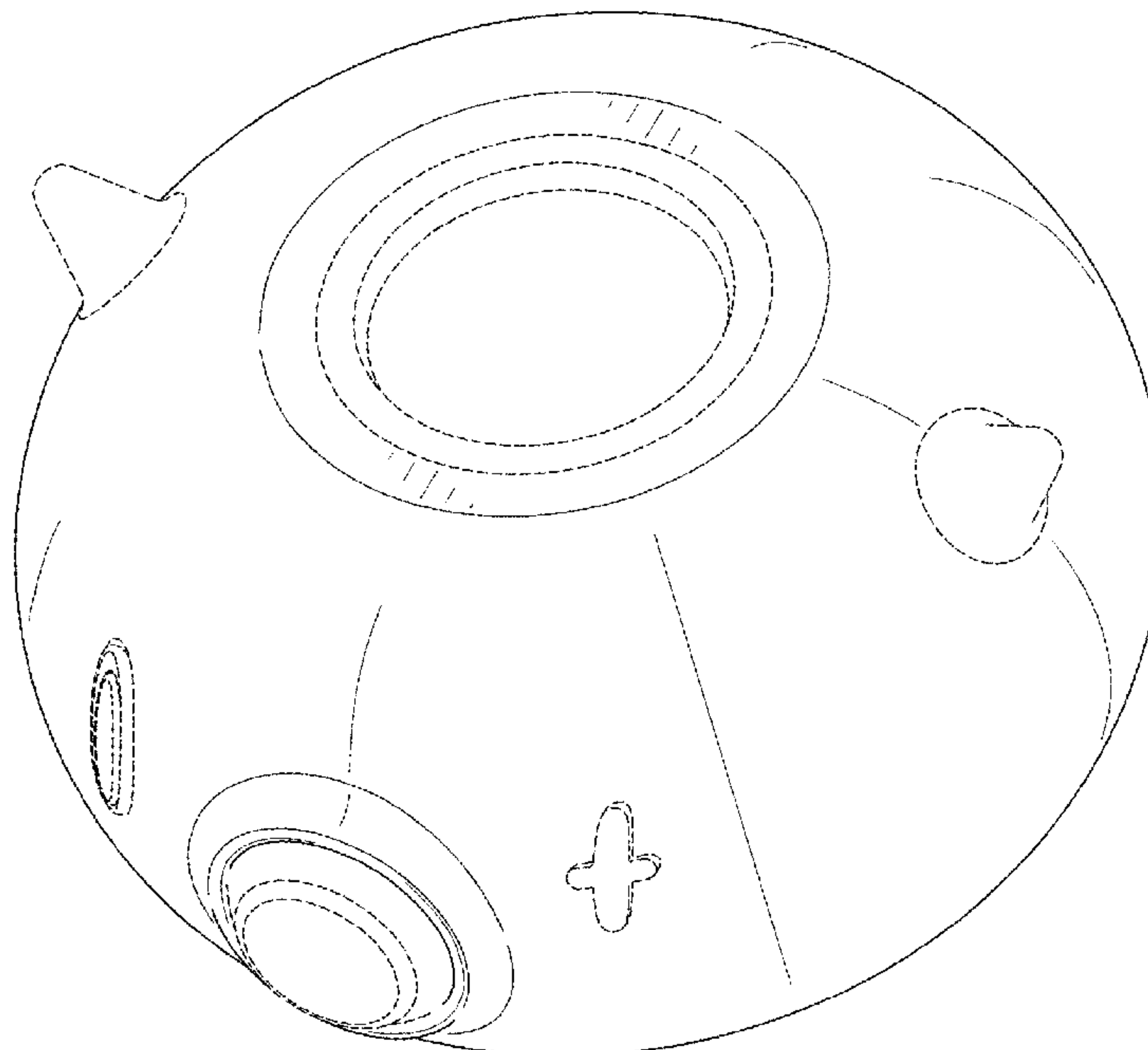
The broken lines depict portions of the hidden camera in which the design is embodied that form no part of the claimed design.

(56) **References Cited**

U.S. PATENT DOCUMENTS

D424,086 S * 5/2000 Choi D16/202
D700,232 S * 2/2014 Ramsay D16/207

1 Claim, 5 Drawing Sheets



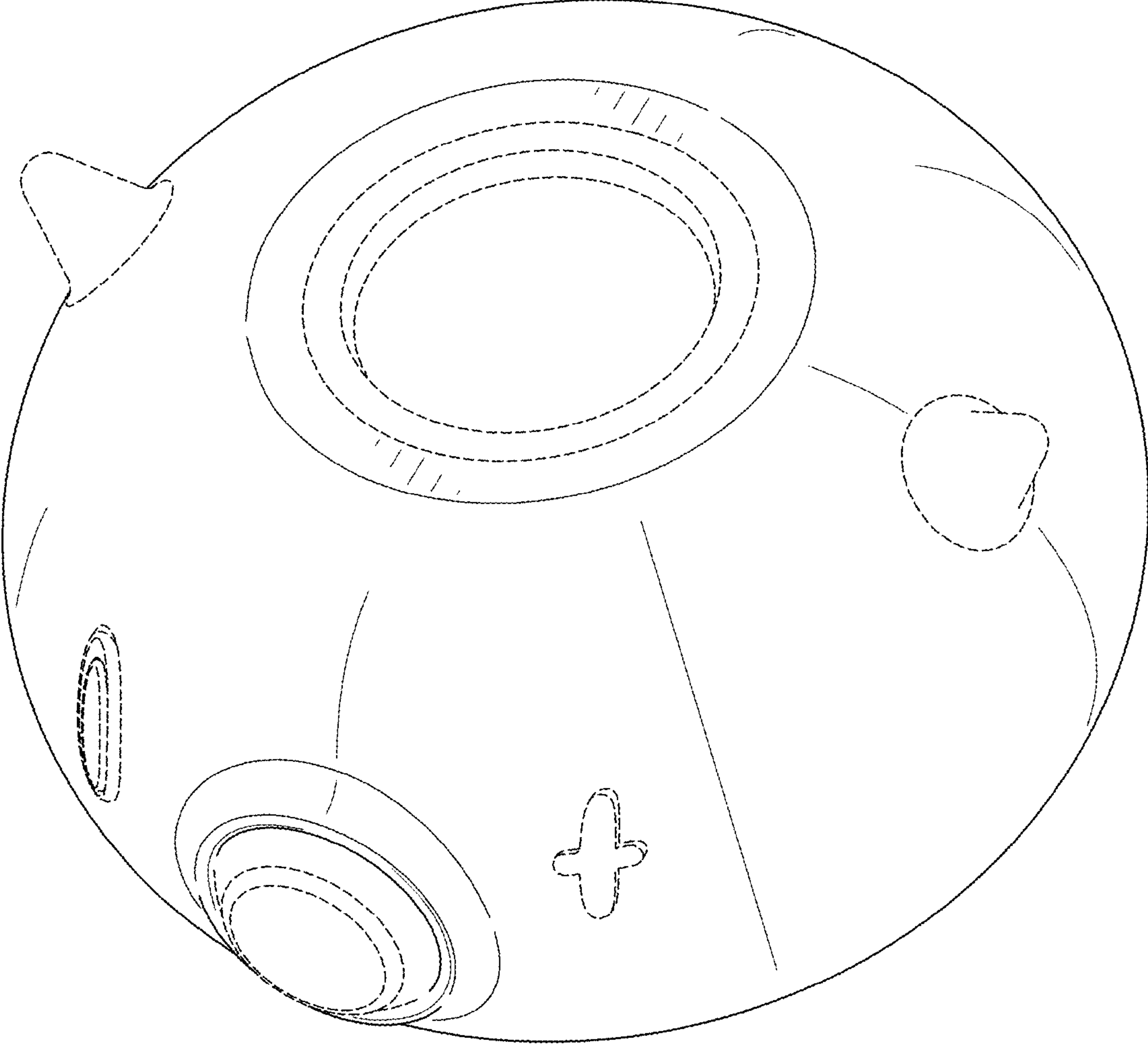


FIG. 1

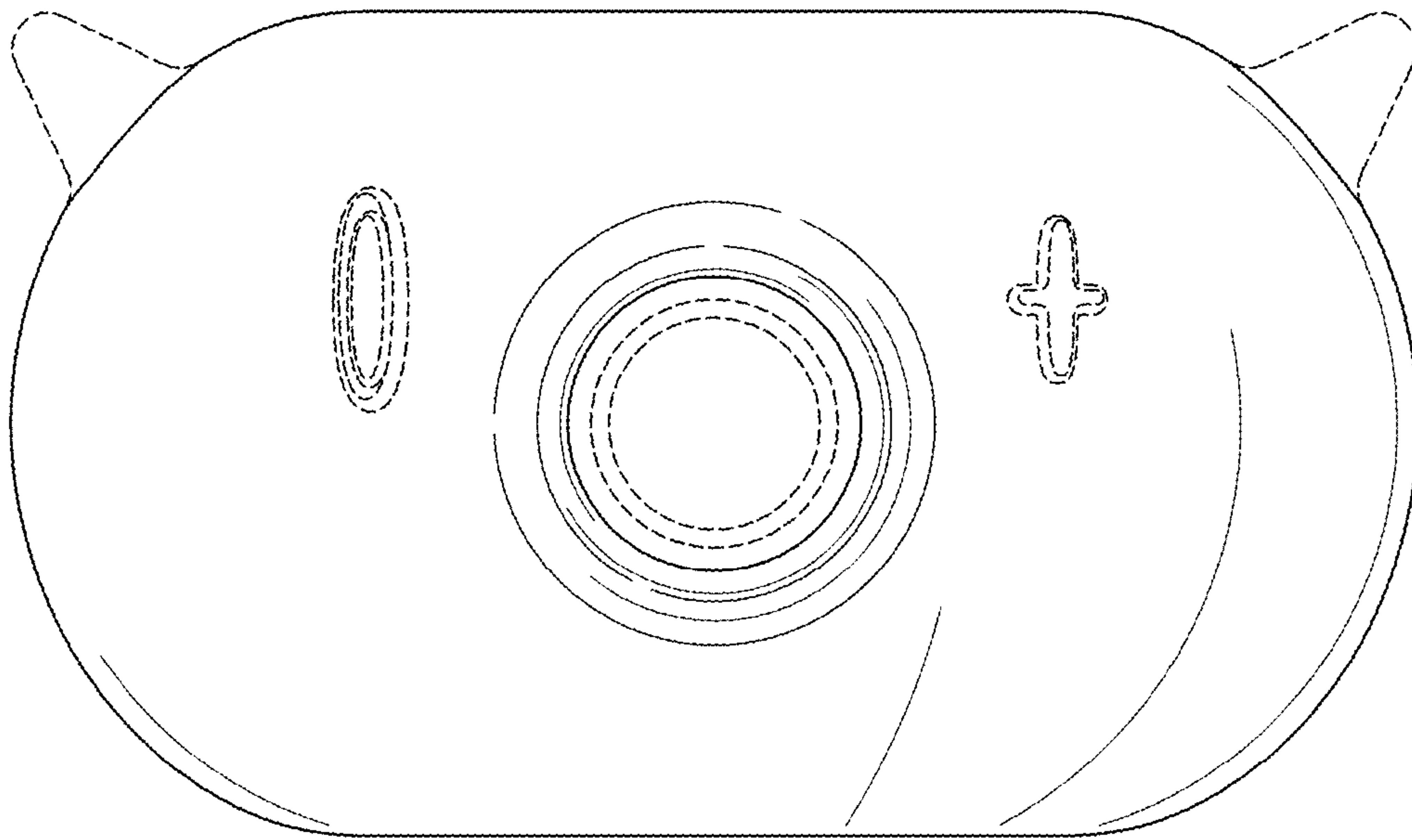


FIG. 2

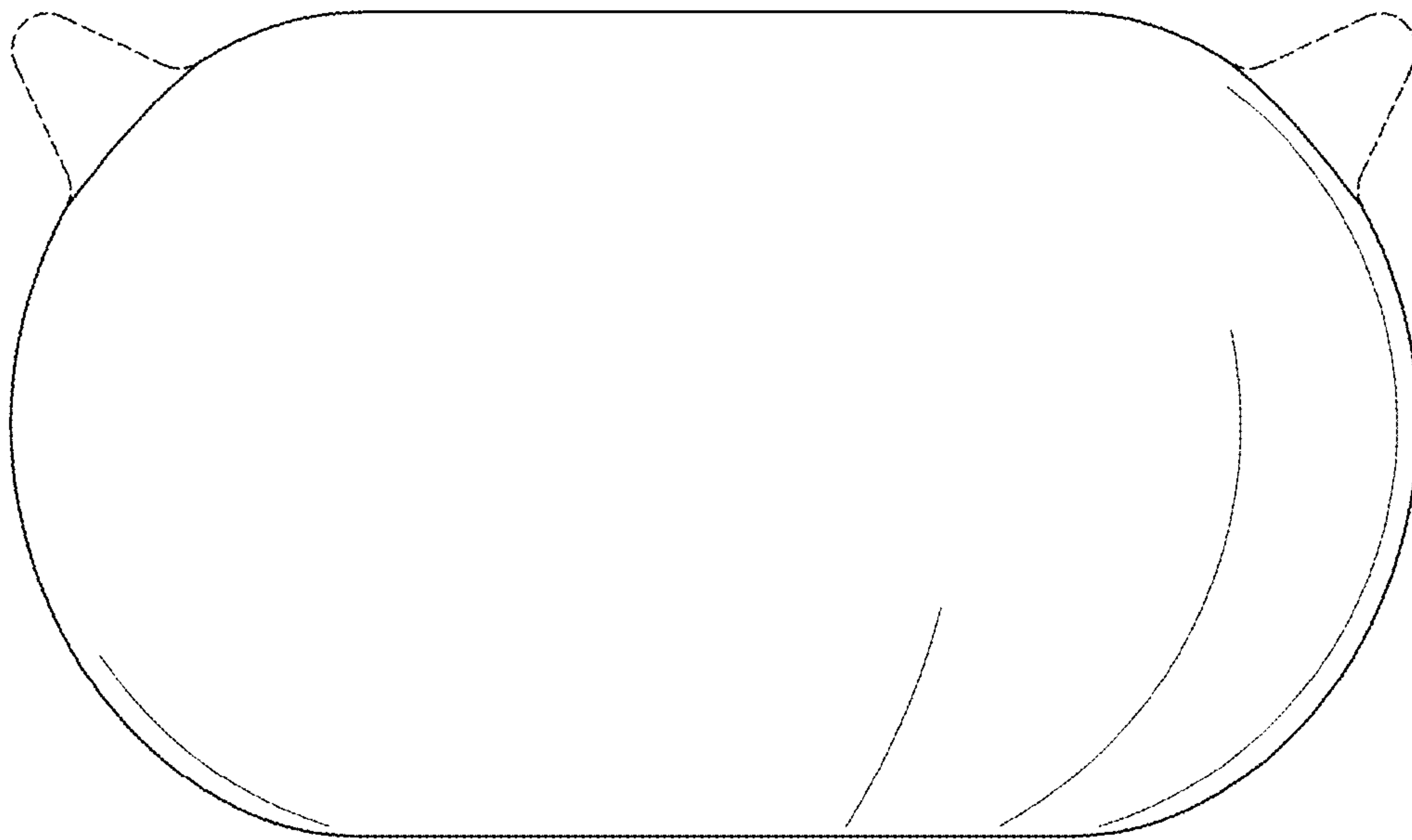


FIG. 3

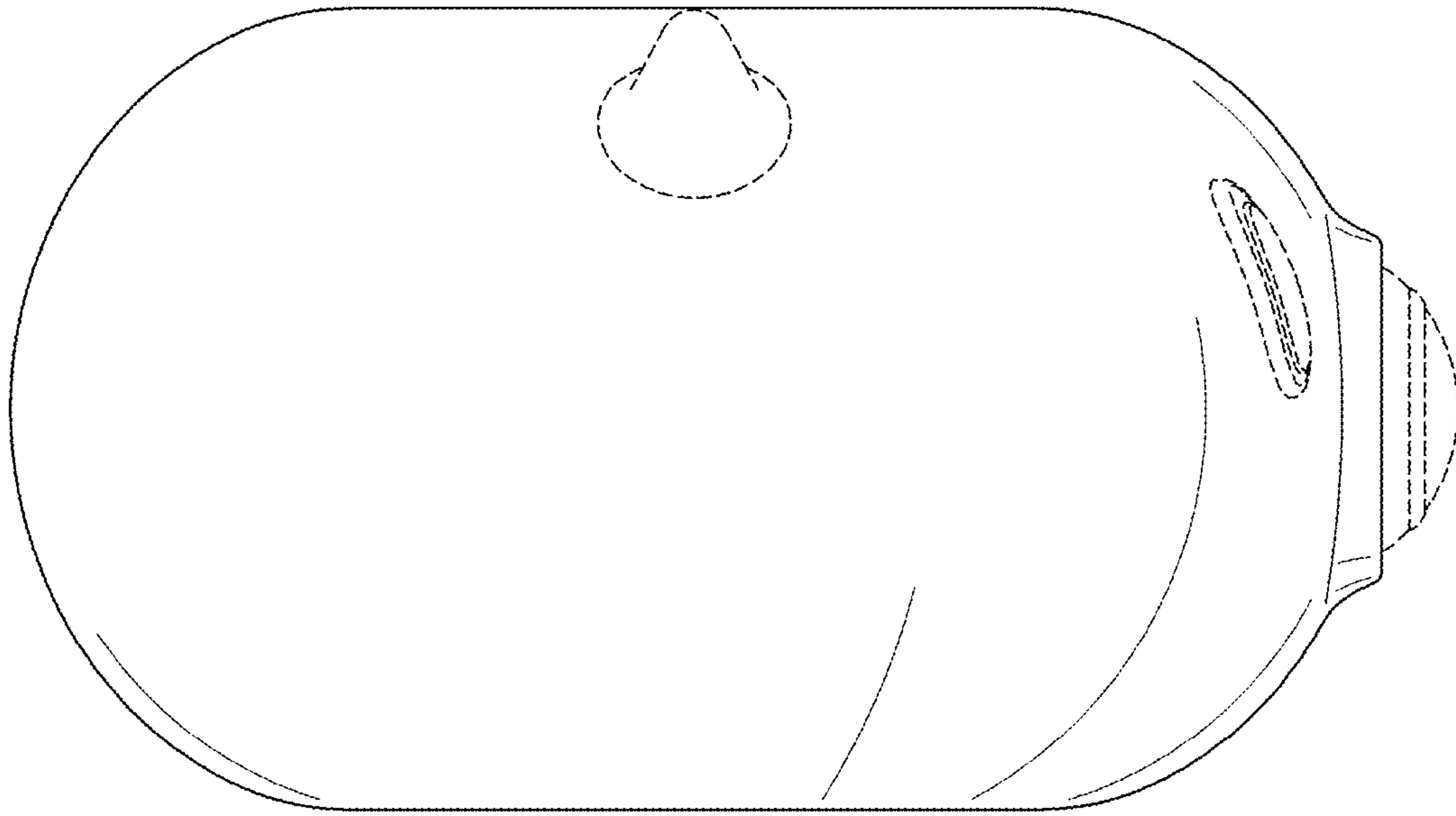


FIG. 4

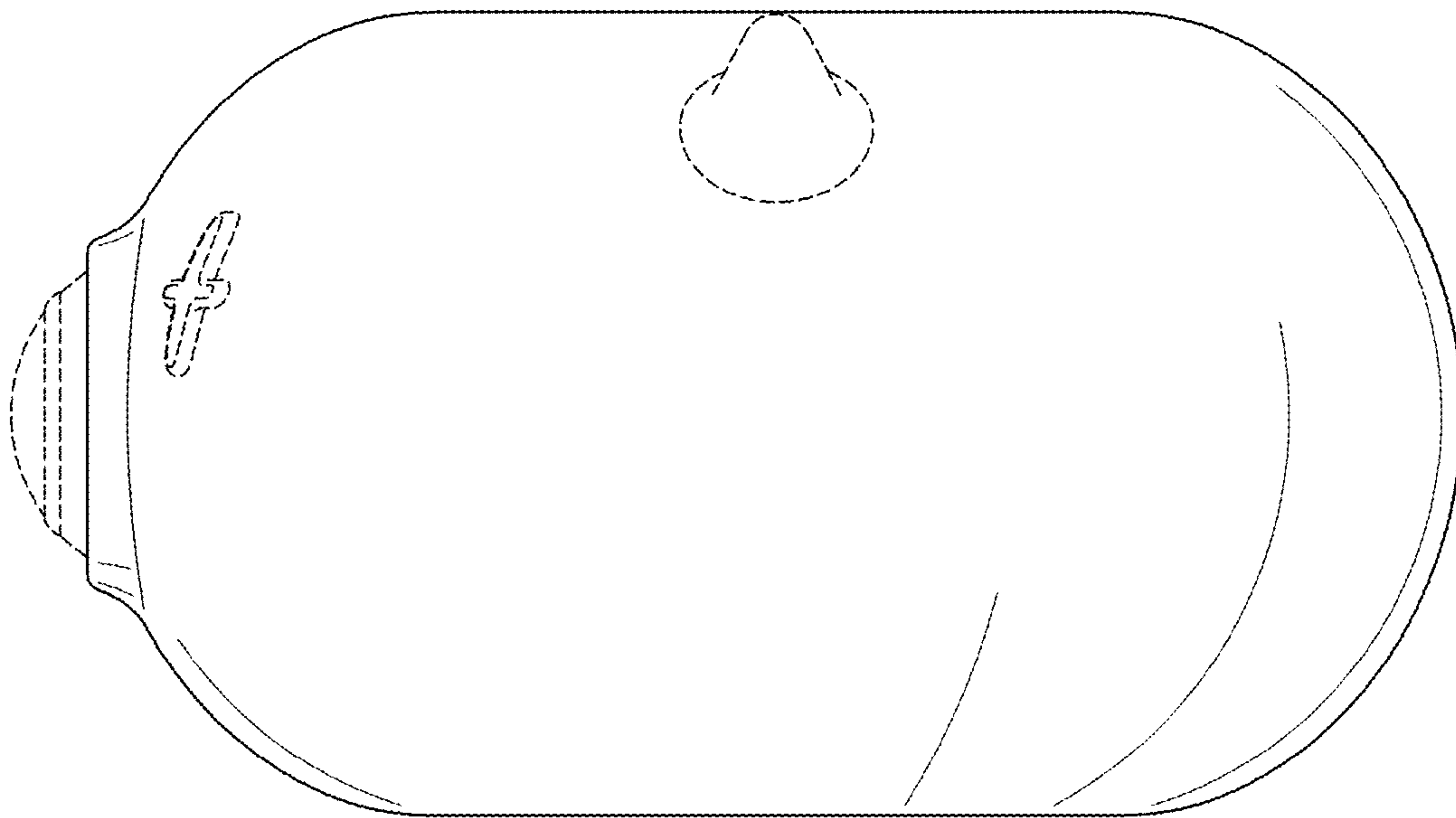


FIG. 5

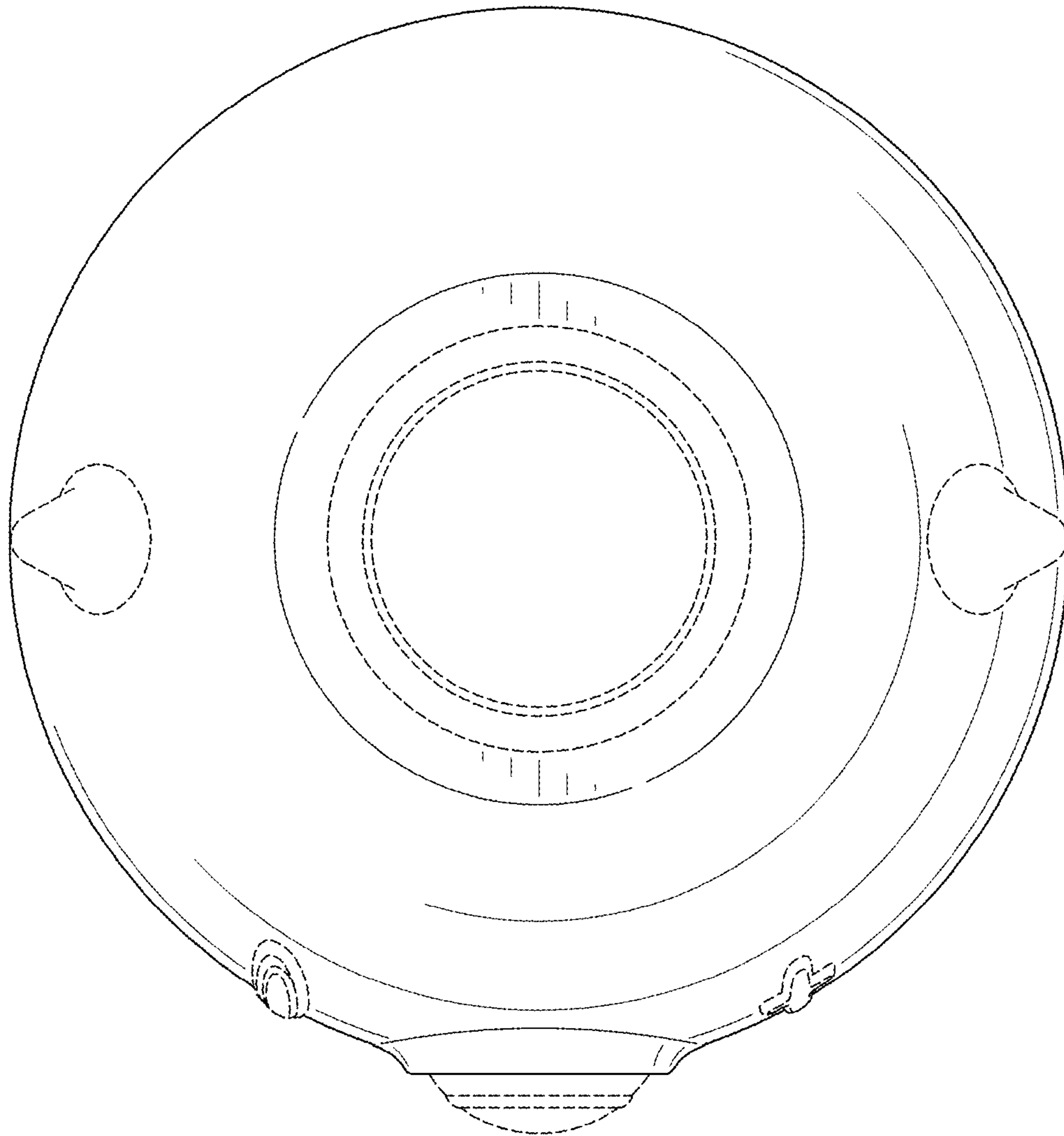


FIG. 6

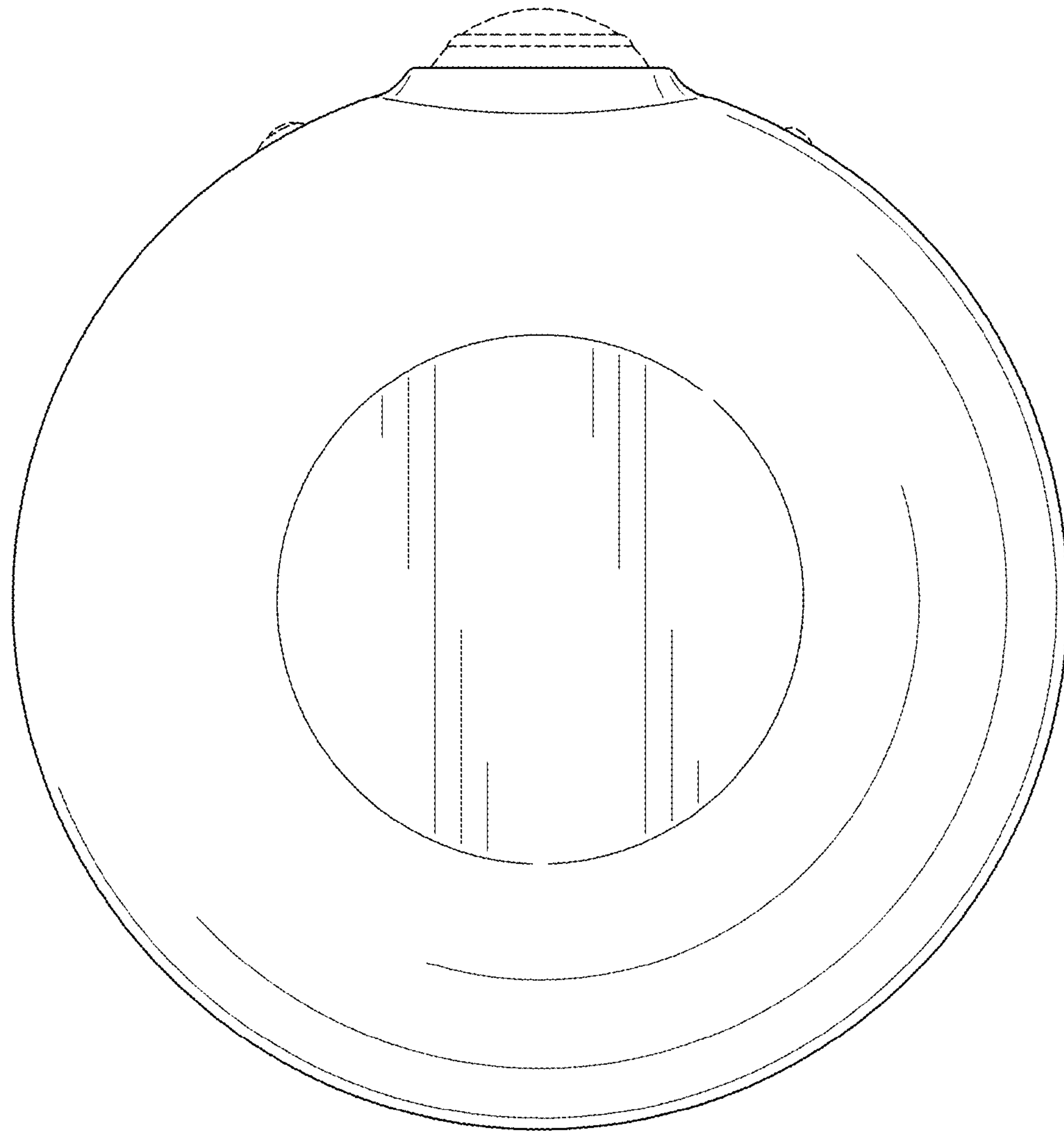


FIG. 7