



US00D871481S

(12) **United States Design Patent** (10) **Patent No.:** **US D871,481 S**
Arens et al. (45) **Date of Patent:** **** Dec. 31, 2019**

(54) **IMAGE CAPTURE DEVICE**

(71) Applicant: **Google LLC**, Mountain View, CA (US)

(72) Inventors: **Michael Robert Arens**, San Francisco, CA (US); **John Lapetina**, San Francisco, CA (US); **Peter Michael Cazalet**, Los Gatos, CA (US); **Joshua Randall Clyne**, Santa Clara, CA (US); **Kai S. Yick**, Mountain View, CA (US); **Eva Ariella Siobhan Snee**, Seattle, WA (US); **Jade Daniel Moreau**, Mountain View, CA (US); **Philip Dam Roadley-Battin**, Oakland, CA (US); **Jonathan Yoshida Rowell**, New York, NY (US); **Kenneth Sweet**, San Francisco, CA (US); **Jason Pi**, San Jose, CA (US); **Aaron Michael Donsbach**, Seattle, WA (US); **Juston Payne**, San Mateo, CA (US); **Maj Isabelle Olsson**, Sunnyvale, CA (US)

(73) Assignee: **Google LLC**, Mountain View, CA (US)

(**) Term: **15 Years**

(21) Appl. No.: **29/680,967**

(22) Filed: **Feb. 21, 2019**

Related U.S. Application Data

(63) Continuation of application No. 29/618,862, filed on Sep. 25, 2017, now Pat. No. Des. 857,077.

(51) **LOC (12) Cl.** **16-01**

(52) **U.S. Cl.**
USPC **D16/202**

(58) **Field of Classification Search**
USPC D16/200, 202–206, 208, 218, 219, 242;
348/164, 347, 373–376; 396/535,
396/539–541; 250/330, 332

(Continued)

(56) **References Cited**

U.S. PATENT DOCUMENTS

D465,504 S 11/2002 Van Klinken
D474,221 S 5/2003 Cheng
(Continued)

OTHER PUBLICATIONS

Horsey, “Totokan Wireless Baby Monitor Hits Kickstarter (Video)”, Aug. 1, 2017, <https://www.geeky-gadgets.com/totokan-wireless-baby-monitor-01-08-2017/>, retrieved on Oct. 23, 2017, 11 pages.
(Continued)

Primary Examiner — Ramzi S Almatrahi
(74) *Attorney, Agent, or Firm* — Lerner, David, Littenberg, Krumholz & Mentlik, LLP

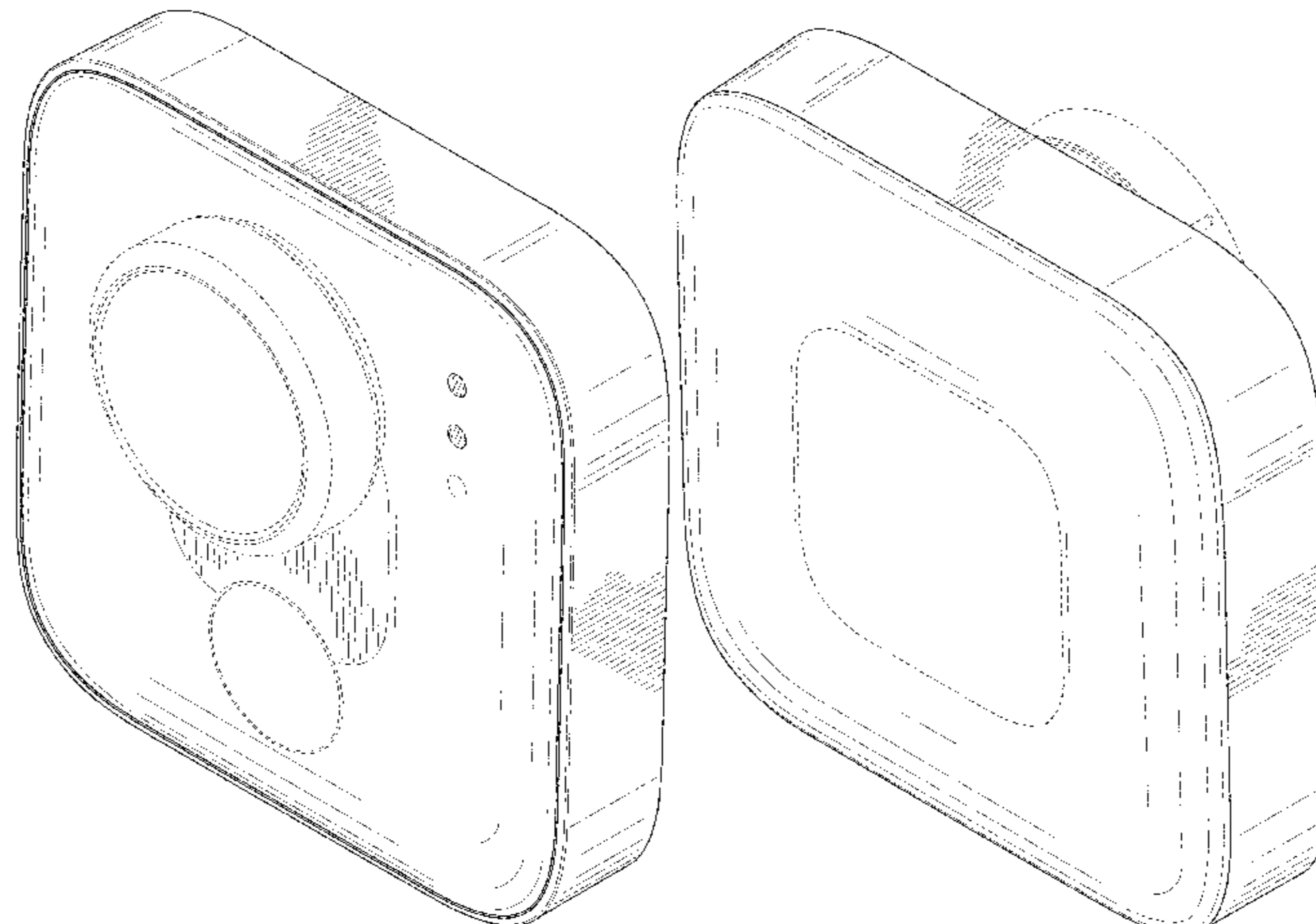
(57) **CLAIM**

The ornamental design for an image capture device, as shown and described.

DESCRIPTION

FIG. 1 is a front perspective view of a first embodiment of an image capture device showing our new design;
FIG. 2 is a rear perspective view thereof;
FIG. 3 is a front view thereof;
FIG. 4 is a rear view thereof;
FIG. 5 is a side view thereof;
FIG. 6 is an opposite side view of thereof;
FIG. 7 is a top view thereof;
FIG. 8 is a bottom view thereof;
FIG. 9 is a front perspective view of a second embodiment of an image capture device showing our new design;
FIG. 10 is a rear perspective view thereof;
FIG. 11 is a front view thereof;
FIG. 12 is a rear view thereof;
FIG. 13 is a side view thereof;
FIG. 14 is an opposite side view thereof;
FIG. 15 is a top view thereof; and,
FIG. 16 is a bottom view thereof.

(Continued)



The broken lines depict portions of the image capture device in which the design is embodied that form no part of the claimed design.

1 Claim, 14 Drawing Sheets

D827,014	S	*	8/2018	Sakai	D16/218
D829,260	S	*	9/2018	Fujita	D16/218
D835,172	S	*	12/2018	Fujita	D16/219
D849,108	S	*	5/2019	Huang	D16/218
D859,498	S	*	9/2019	Lin	D16/218
2014/0160349	A1		6/2014	Huang et al.		

OTHER PUBLICATIONS

(58) **Field of Classification Search**

CPC G03B 15/03; G03B 17/02; G03B 17/04;
 G03B 17/56; G03B 19/04; H04N 5/2251;
 H04N 5/2252; H04N 5/2253; H04N
 5/2254; H04N 2101/00; H04N 5/33;
 H04N 5/332

See application file for complete search history.

(56) **References Cited**

U.S. PATENT DOCUMENTS

D480,741	S		10/2003	Berger et al.		
D496,674	S		9/2004	Hayashi		
D594,047	S		6/2009	Lee		
D692,042	S		10/2013	Dawes et al.		
D723,602	S		3/2015	Brickstad		
D733,780	S		7/2015	Chen		
D764,559	S		8/2016	Luo et al.		
D792,497	S		7/2017	Oliveira		
D793,263	S	*	8/2017	Ye	D10/118.2
D814,543	S	*	4/2018	Oshima	D16/202
D818,029	S		5/2018	Fujita et al.		
D820,339	S		6/2018	Yau		

Miller, "What's the Best Wearable Camera on the Market?", Aug. 3, 2015, <http://heavy.com/tech/2015/08/best-wearable-camera-mount-action-gopro-narrative-autographer-sony-4k/>, retrieved on Oct. 23, 2017, 11 pages.

Morby, "Shonin Bodycam Aims to Bring Justice to Victims of Violent Crime", Aug. 18, 2017, <https://www.dezeen.com/2017/08/18/shonin-bodycam-aims-bring-justice-victims-violent-crimetechnology-design/>, retrieved on Oct. 23, 2017, 7 pages.

Murray, "Step Into the Future with the Totokan Baby Monitor", Apr. 22, 2015, <http://babyology.com.au/gadgets/step-into-the-future-with-the-totokan-baby-monitor.html>, retrieved on Oct. 23, 2017, 6 pages.

Osborn, "Shonin Streamcam Wearable Camera Preparing for Launch", Sep. 18, 2017, <https://manofmany.com/tech/cameras/shonin-streamcam-wearable-camera-preparing-launch>, retrieved on Oct. 23, 2017, 4 pages.

Osborn, "Sony's RXO Compact Camera is Ready for Action", Sep. 5, 2017, <https://manofmany.com/tech/cameras/sonys-rx.O-compact-camera-ready-action>, retrieved on Oct. 23, 2017, 4 pages.

Uncrate, "Shonin Wearable Camera", <https://uncrate.com/article/shonin-wearable-camera/#share-fb-146856>, retrieved on Oct. 23, 2017, 4 pages.

* cited by examiner

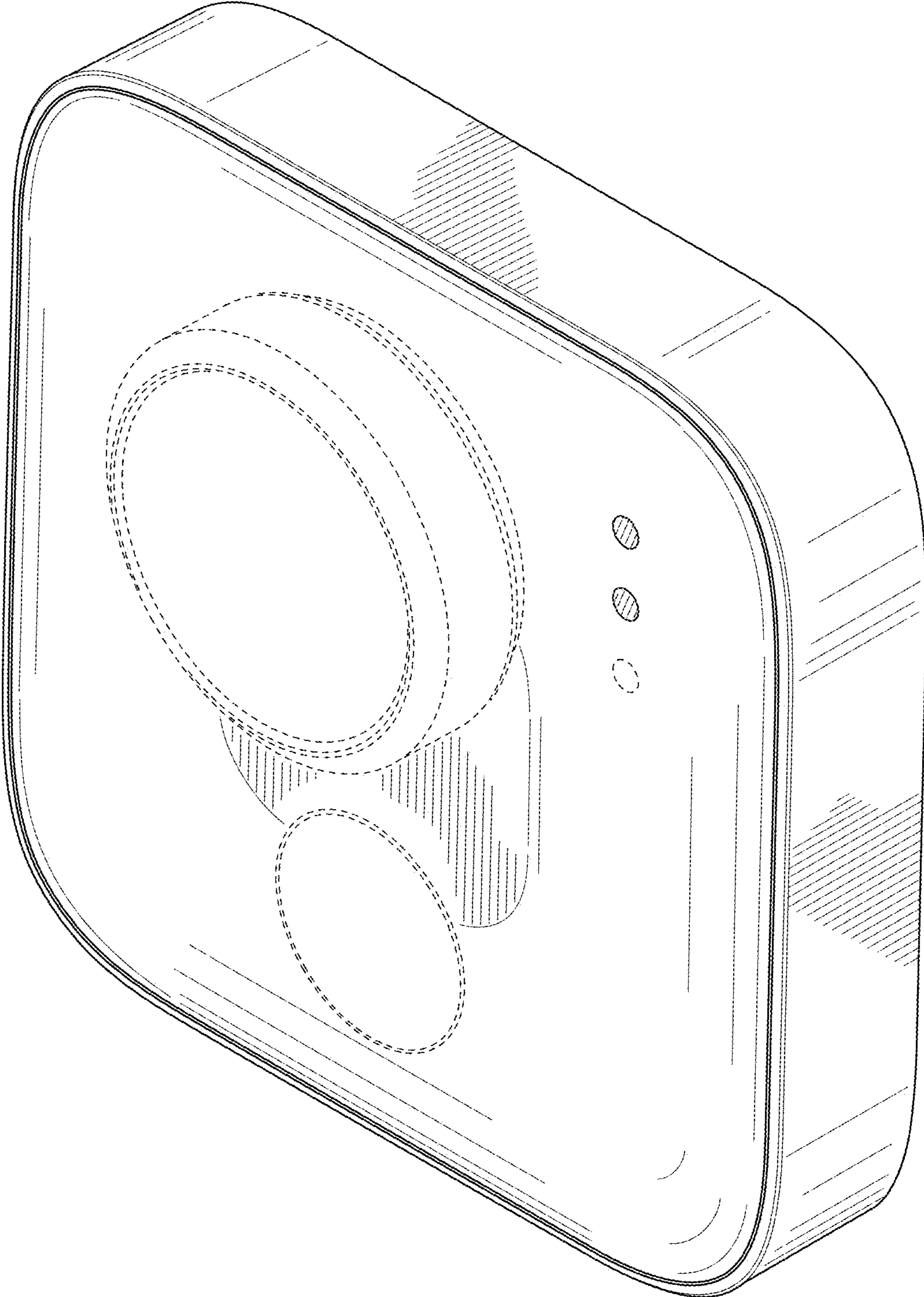


FIG. 1

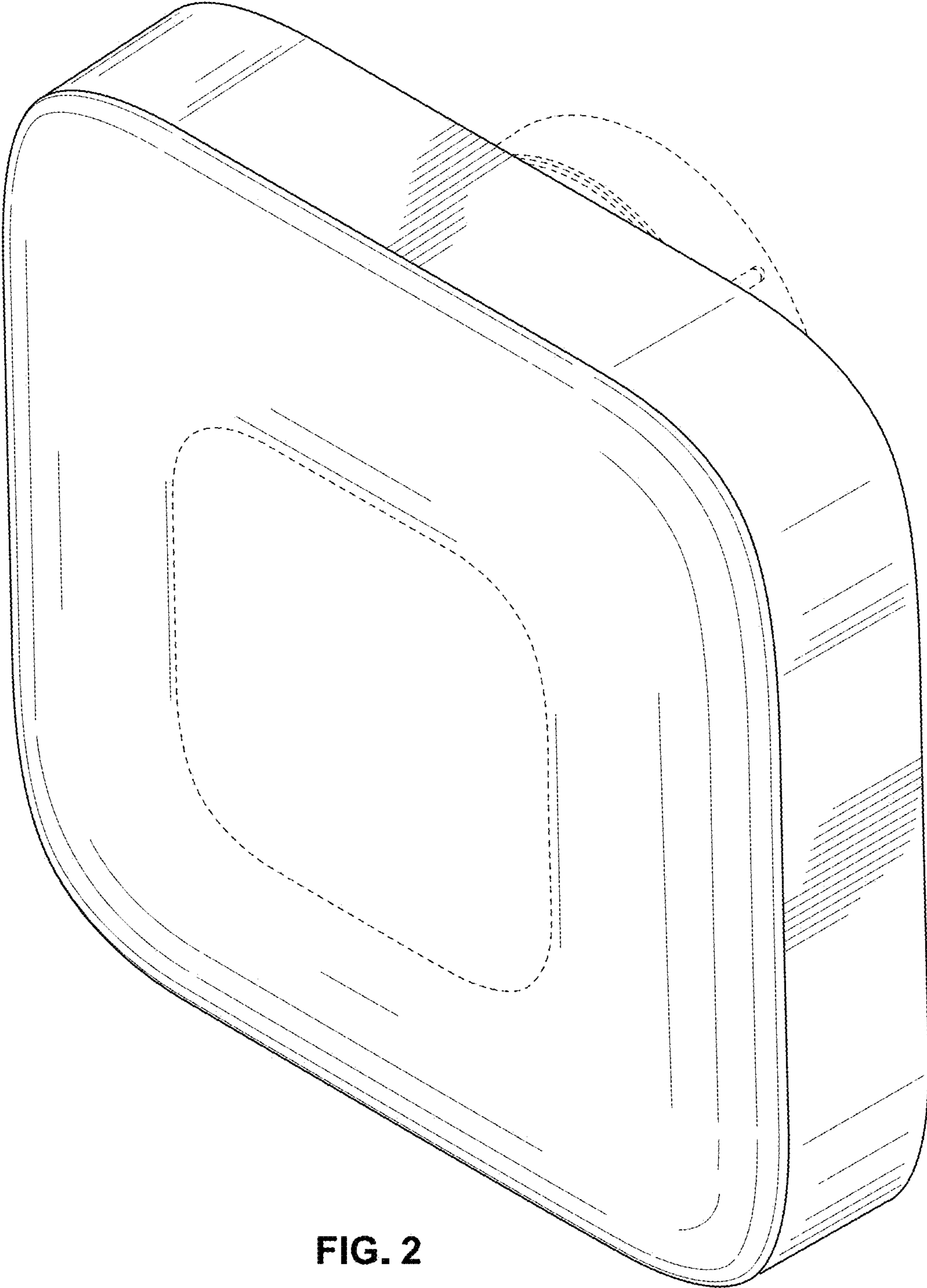


FIG. 2

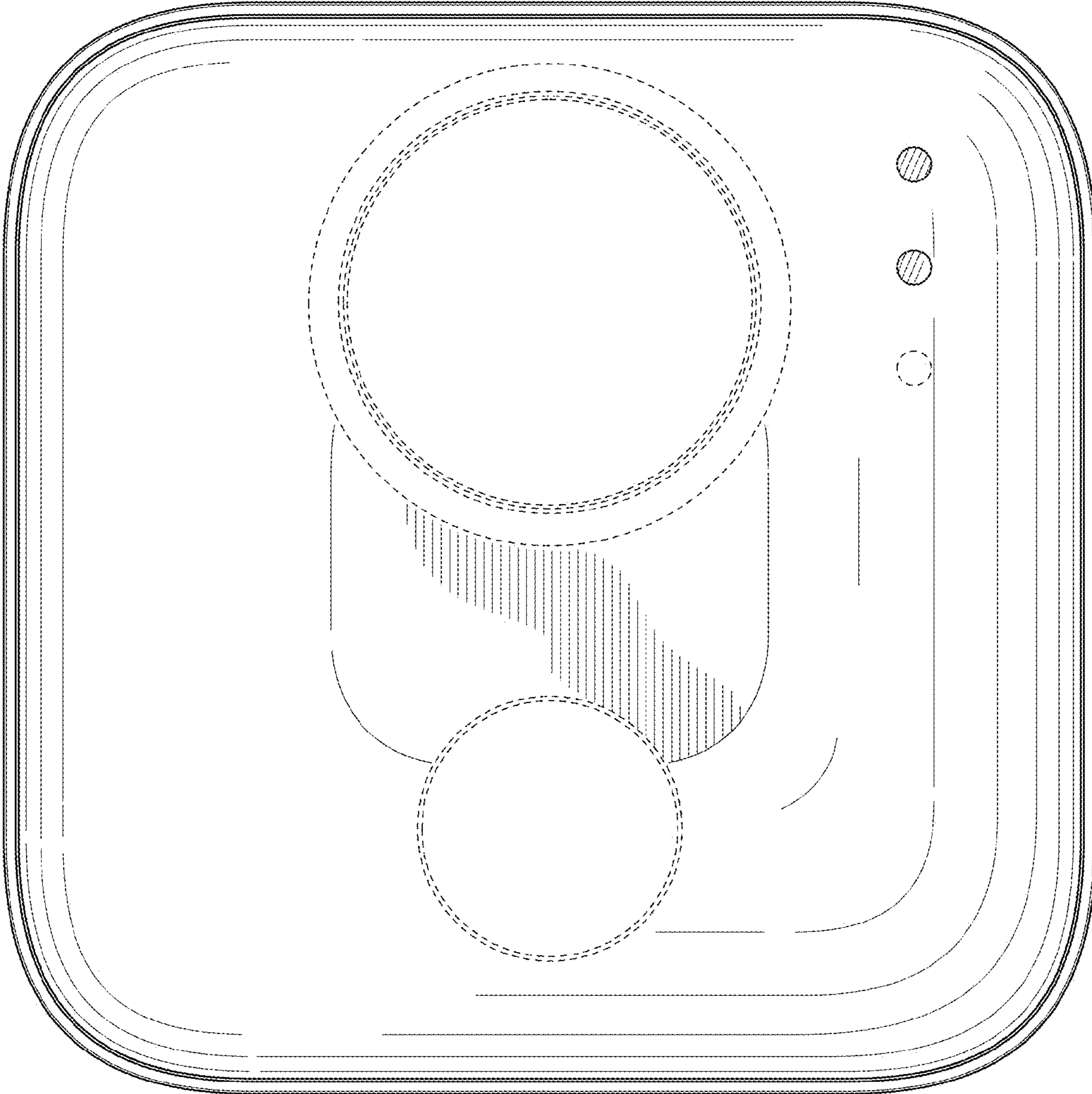


FIG. 3

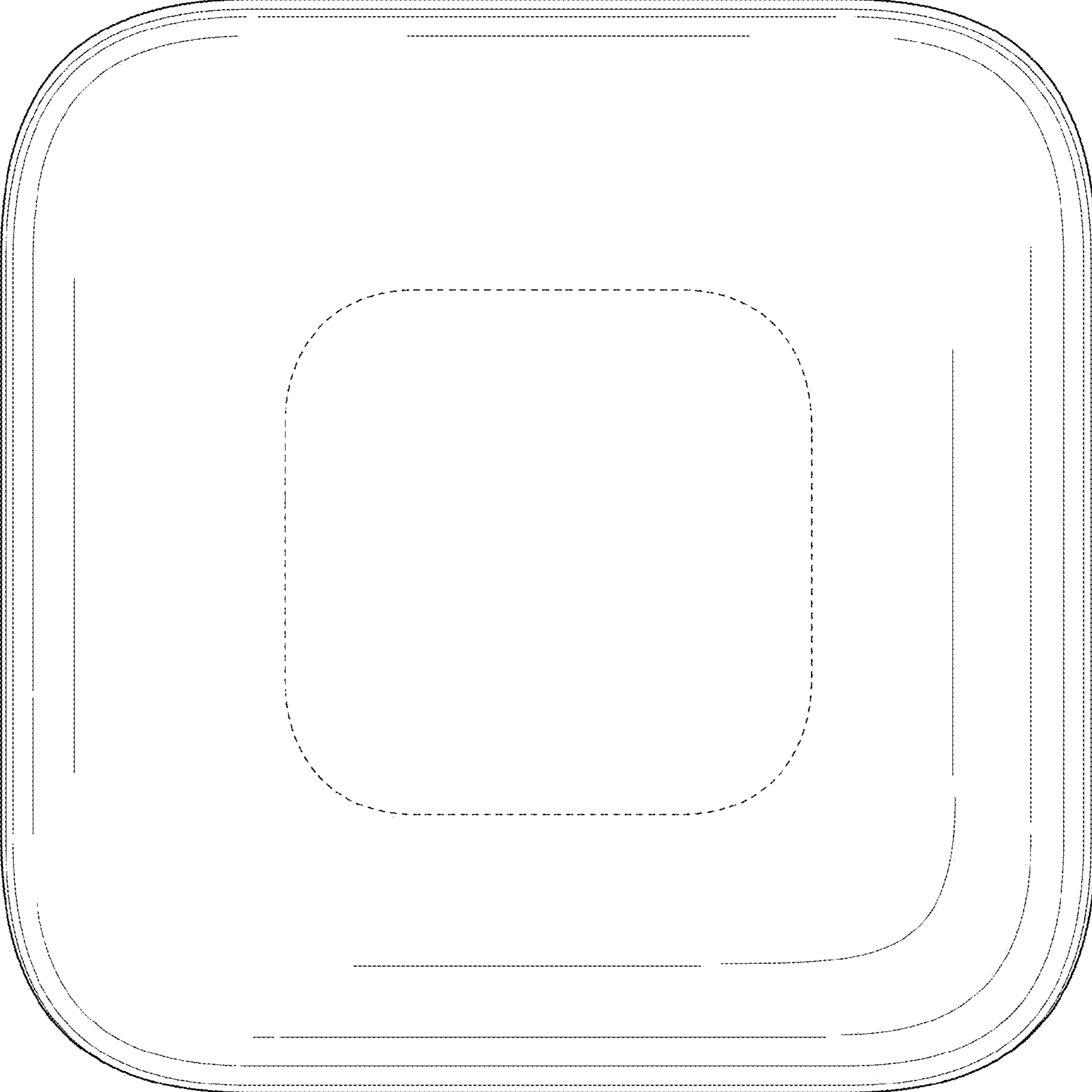


FIG. 4

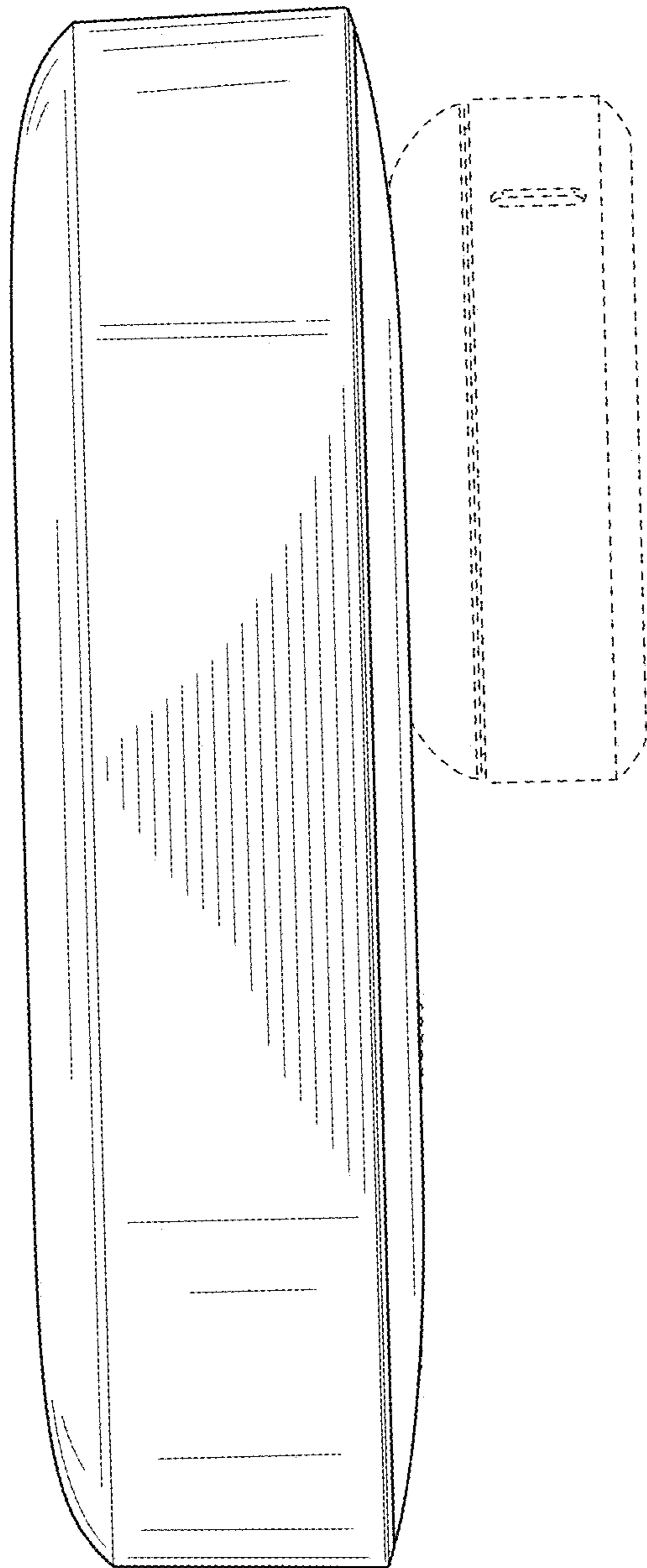


FIG. 5

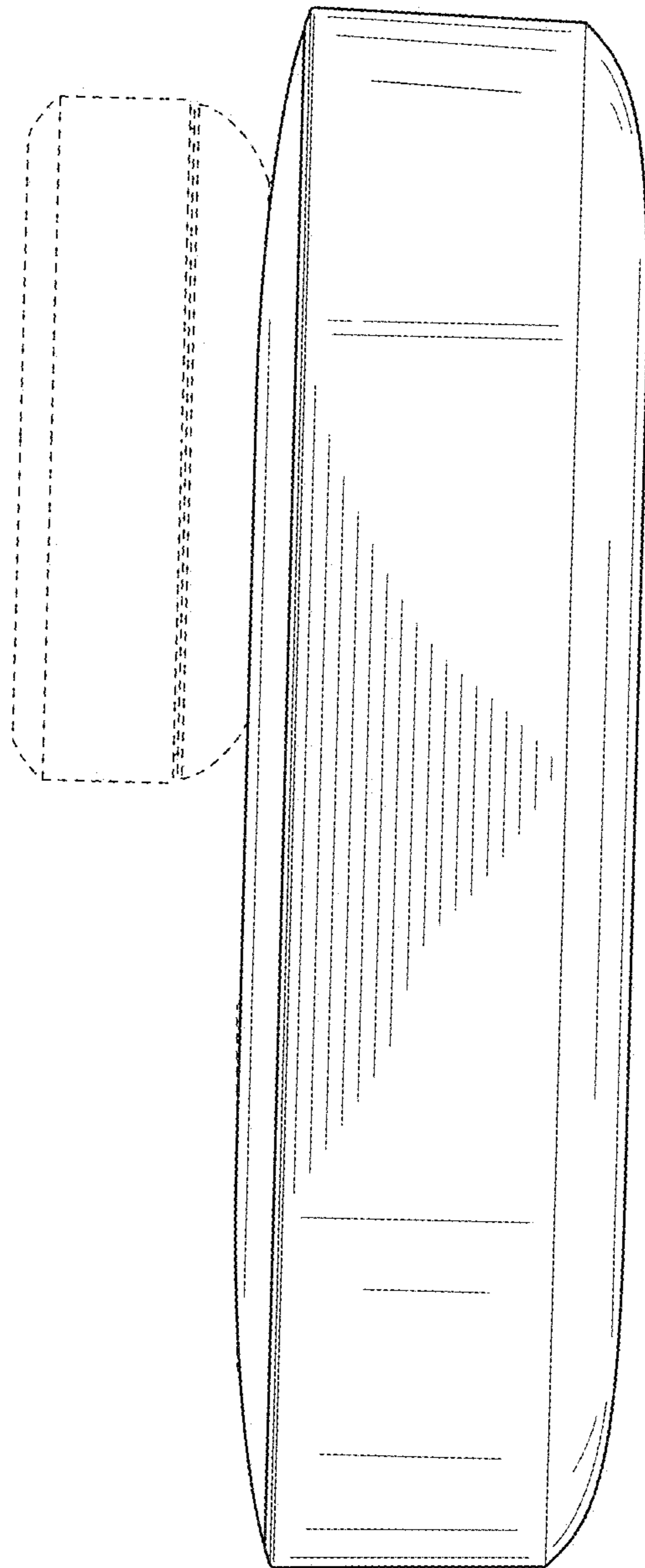


FIG. 6

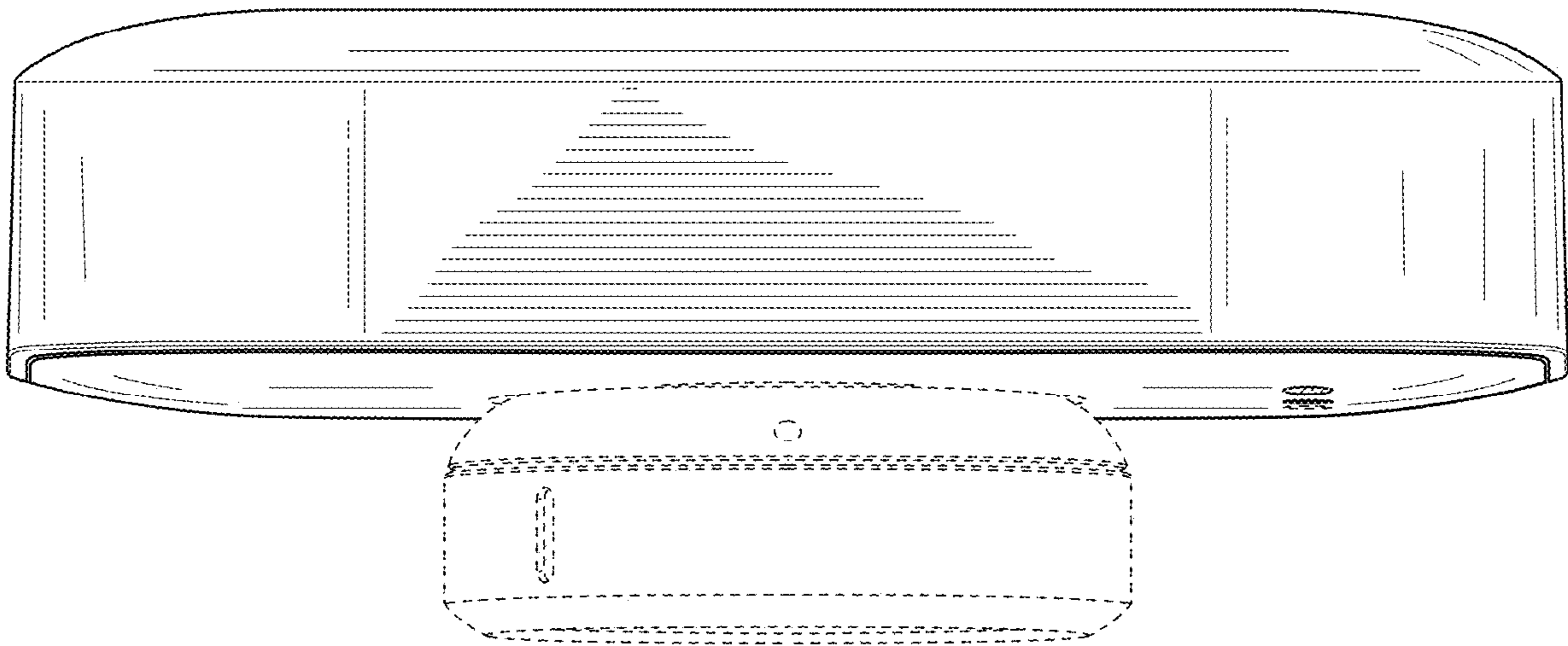


FIG. 7

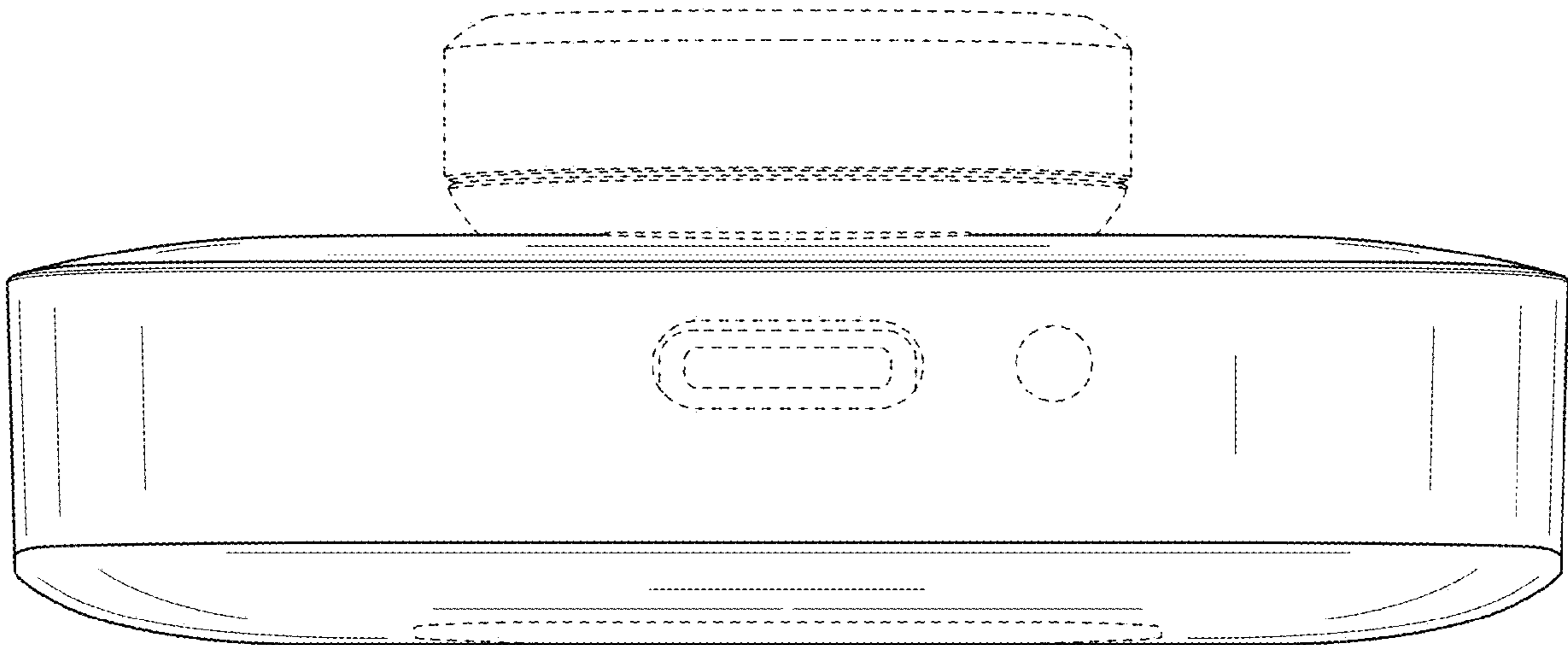


FIG. 8

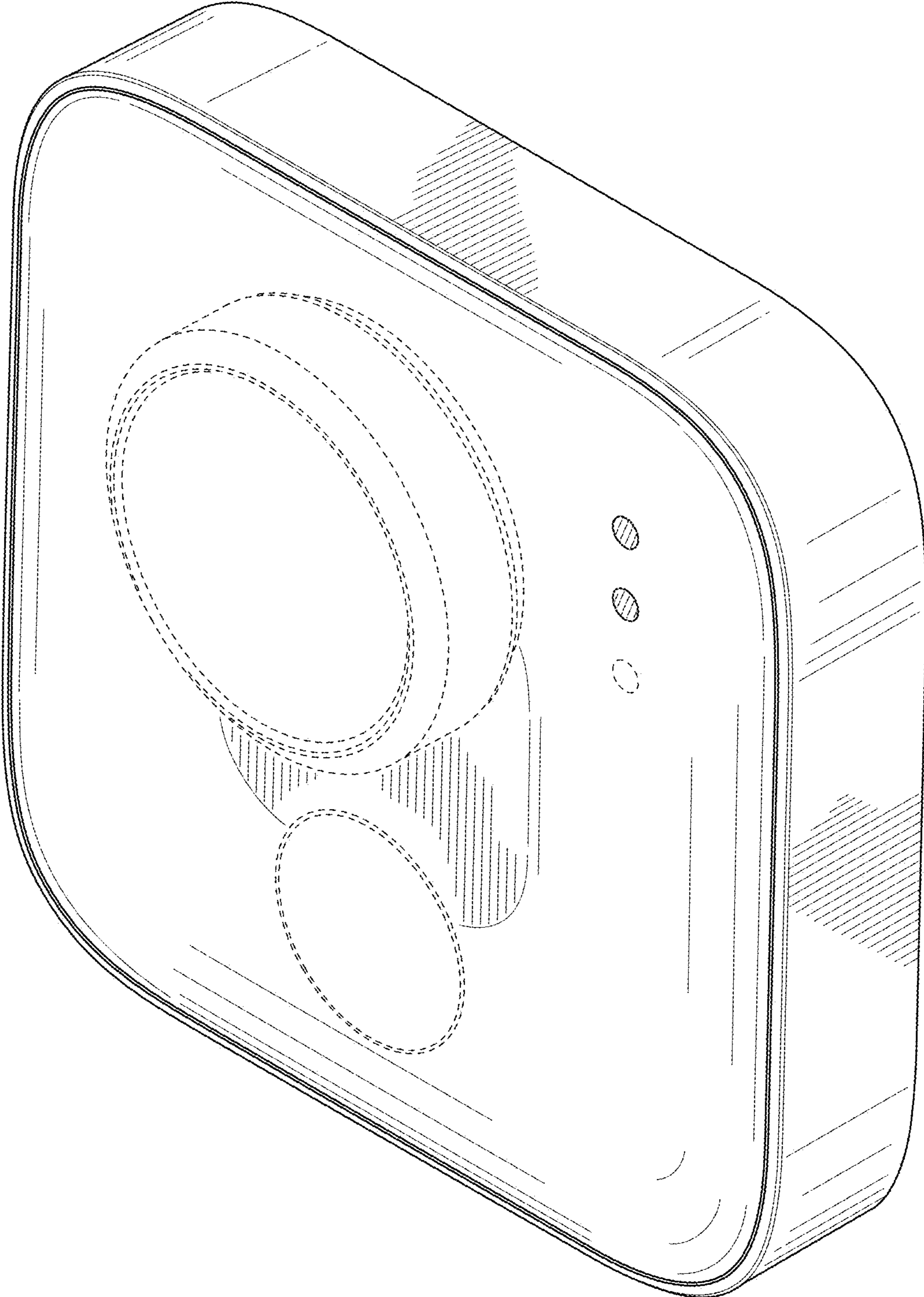


FIG. 9

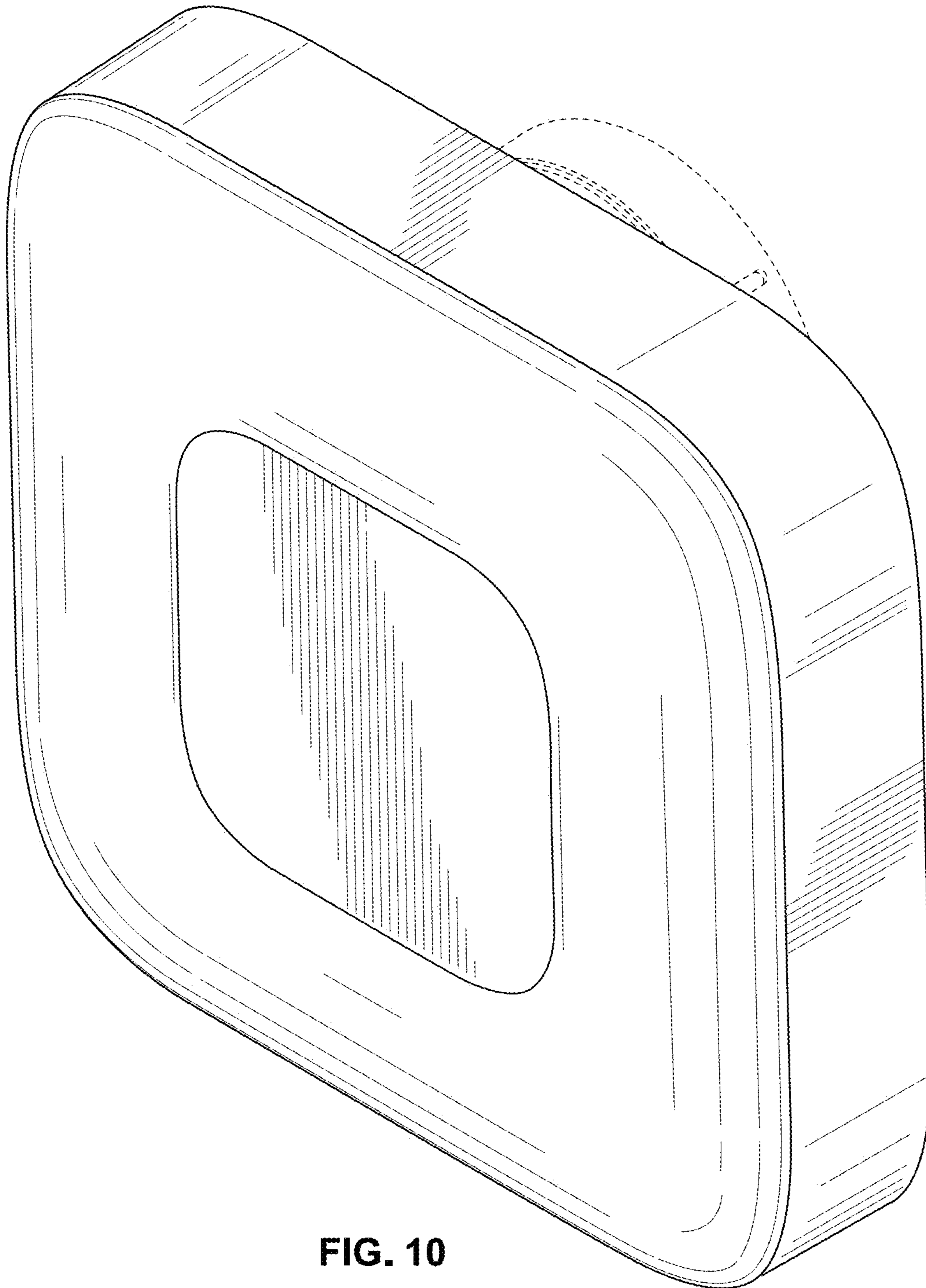


FIG. 10

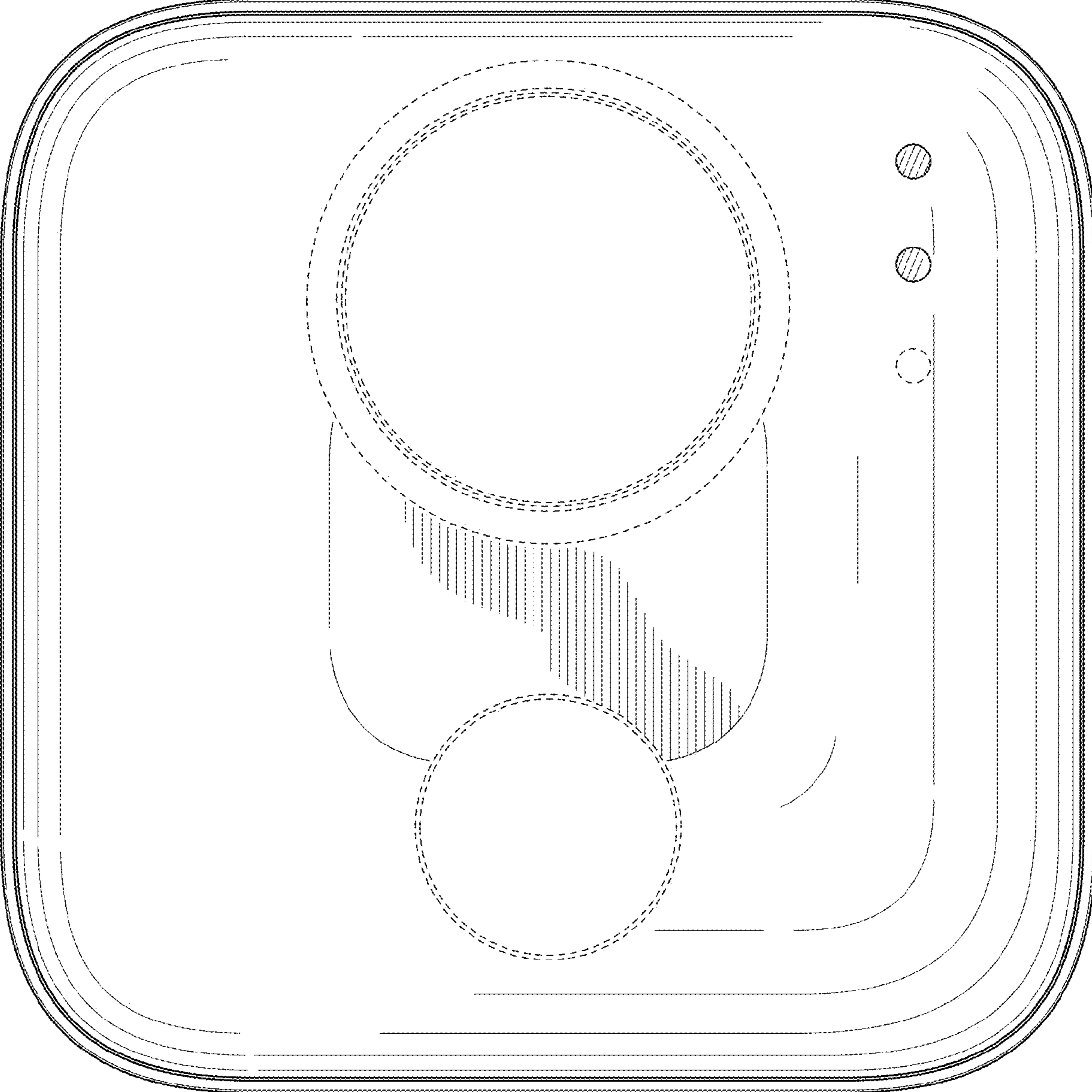


FIG. 11

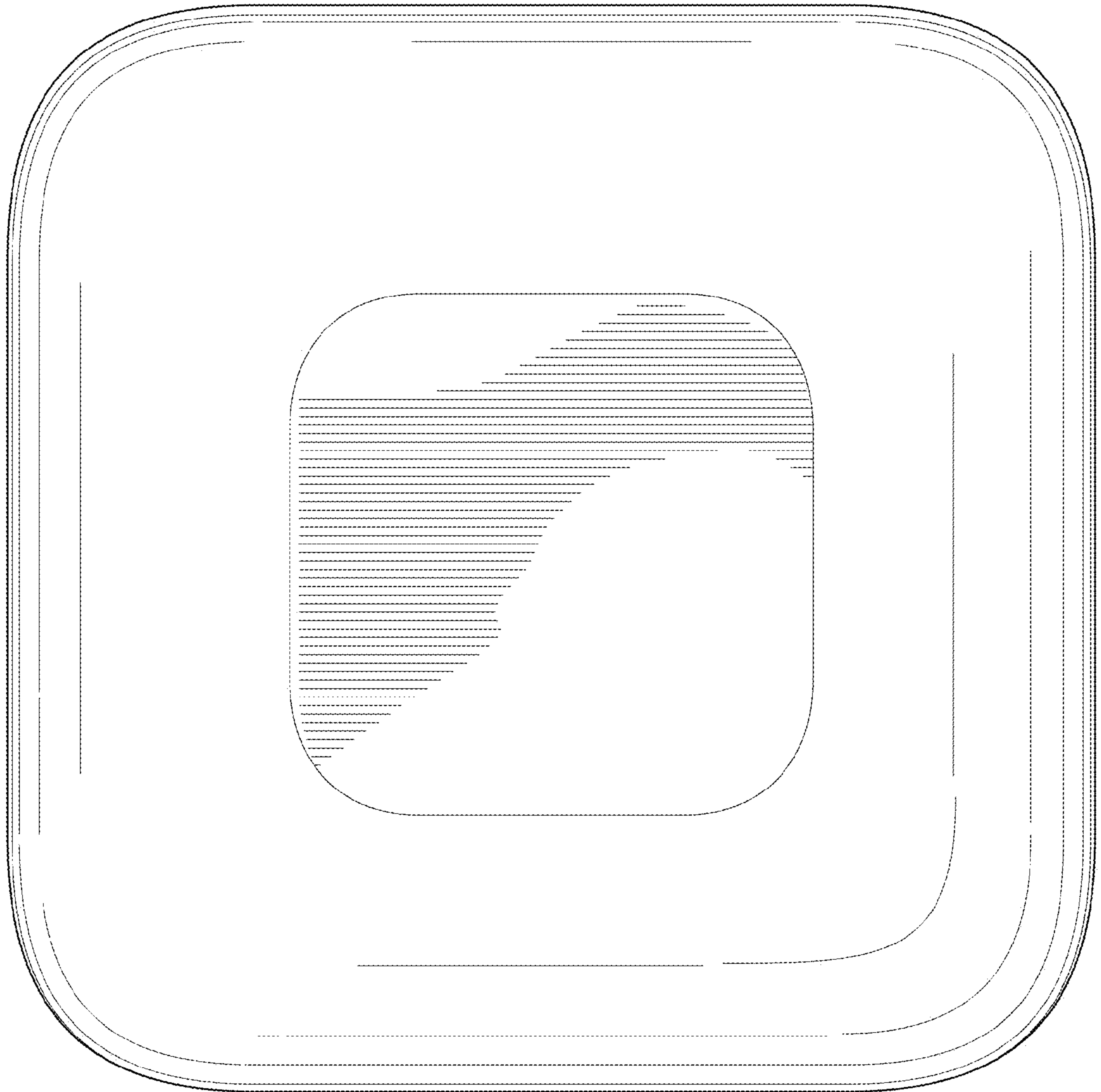


FIG. 12

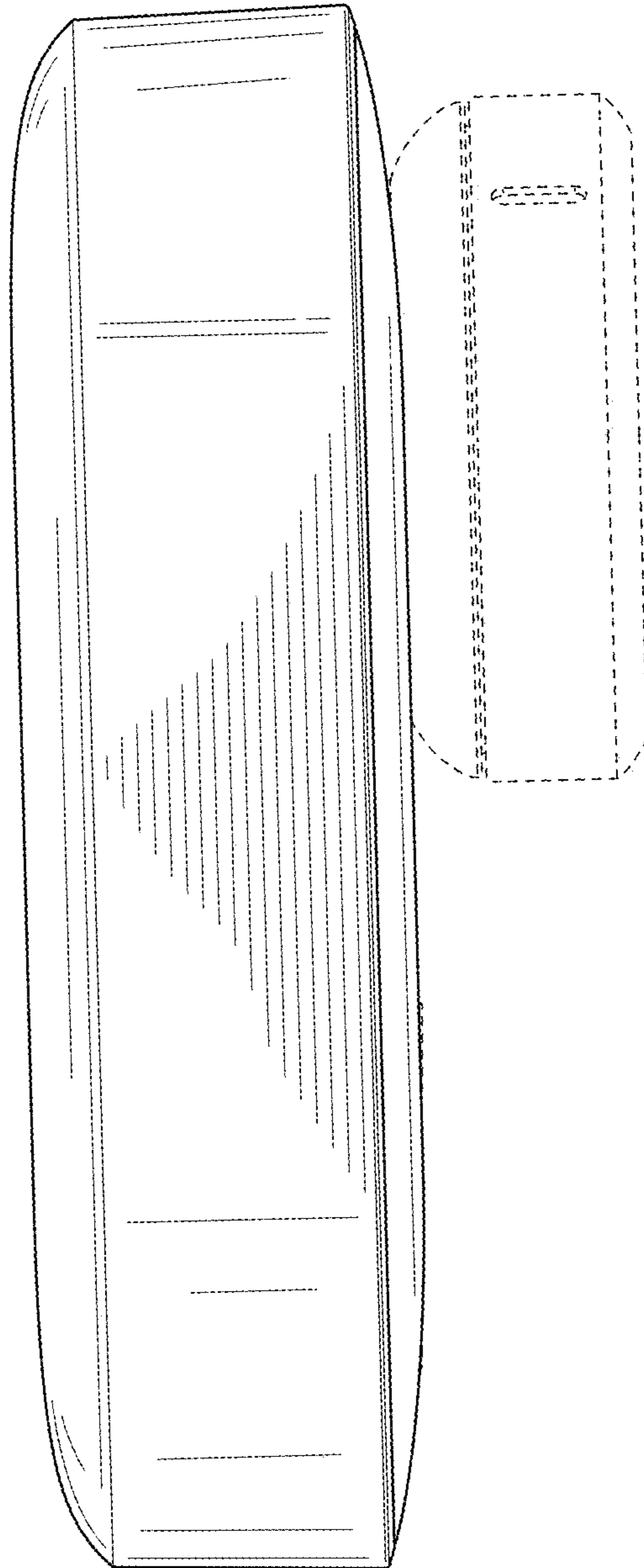


FIG. 13

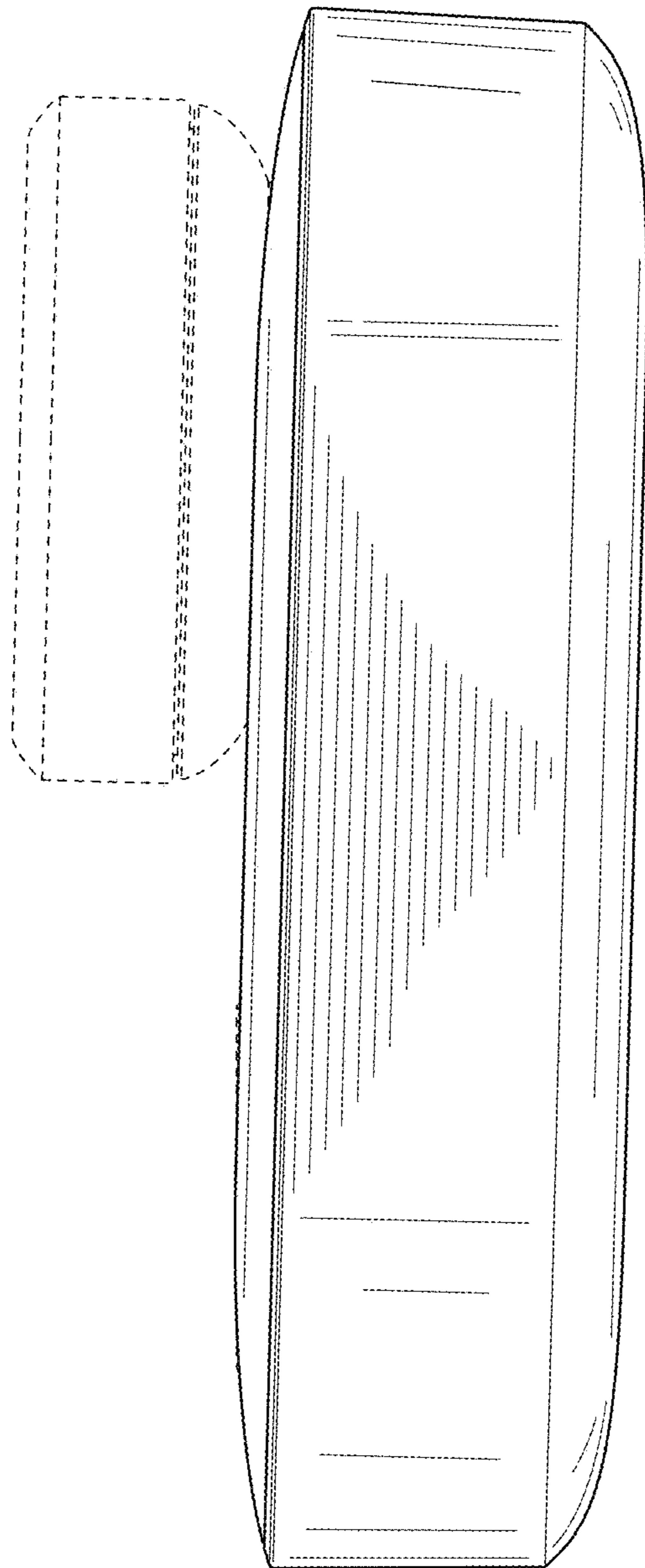


FIG. 14

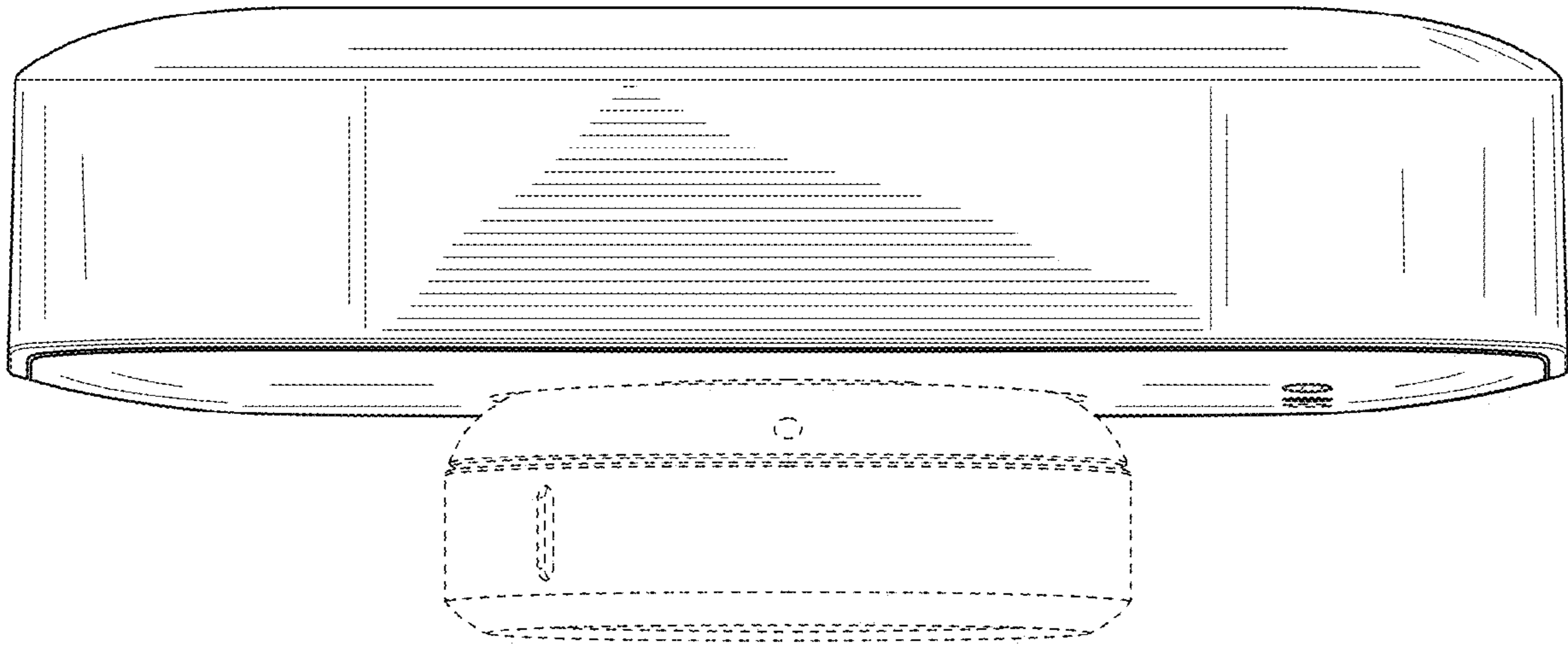


FIG. 15

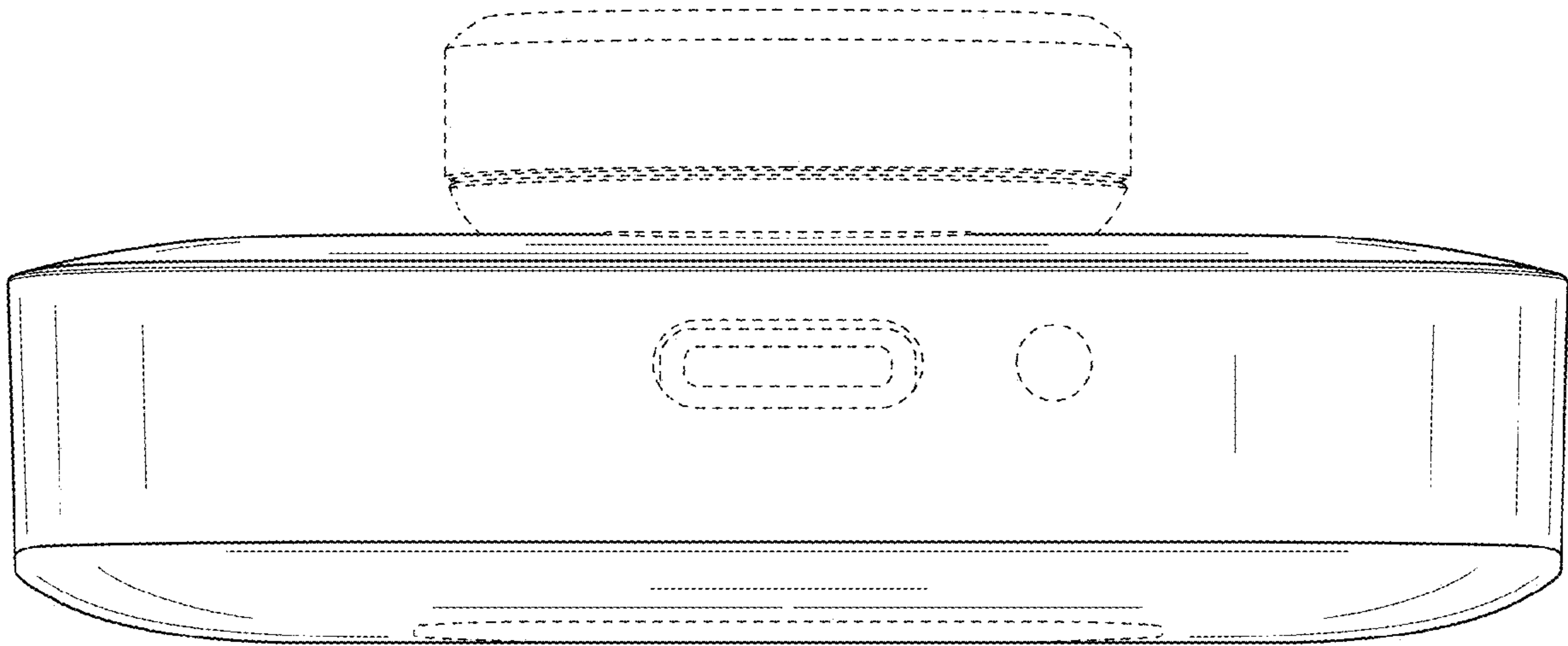


FIG. 16