



US00D871480S

(12) **United States Design Patent**
Hu

(10) **Patent No.:** **US D871,480 S**

(45) **Date of Patent:** **** Dec. 31, 2019**

(54) **SPORTS CAMERA**

(71) Applicant: **Shenzhen Baker AV Digital Technology Co., Ltd.**, Guangdong (CN)

(72) Inventor: **Zhihui Hu**, Guangdong (CN)

(**) Term: **15 Years**

(21) Appl. No.: **29/644,309**

(22) Filed: **Apr. 17, 2018**

(51) **LOC (12) Cl.** **16-01**

(52) **U.S. Cl.**
USPC **D16/202**

(58) **Field of Classification Search**
USPC D16/200, 212, 218, 219; 348/373-376; 396/448, 535, 539-541
CPC G03B 15/03; G03B 17/02; G03B 17/04; G03B 17/56; G03B 19/04; H04N 5/2251; H04N 5/2252; H04N 5/2253; H04N 5/2254; H04N 2101/00
See application file for complete search history.

(56) **References Cited**

U.S. PATENT DOCUMENTS

D407,098 S	*	3/1999	Goto	D16/200
D721,395 S	*	1/2015	Woodman	D16/218
D750,686 S	*	3/2016	Chen	D16/218
D766,351 S	*	9/2016	Li	D16/202
D772,966 S	*	11/2016	Song	D16/200
D789,435 S	*	6/2017	Nguyen	D16/202
D790,002 S	*	6/2017	Nguyen	D16/218

D793,463 S	*	8/2017	Houin	D16/202
9,756,227 B2	*	9/2017	Xu	H04N 5/2252
D816,753 S	*	5/2018	Zhang	D16/202
D833,505 S	*	11/2018	Hu	D16/218
D836,696 S	*	12/2018	Zhang	D16/202
2016/0209731 A1	*	7/2016	Song	G03B 17/06

* cited by examiner

Primary Examiner — Ramzi S Almatrahi

(74) *Attorney, Agent, or Firm* — Prakash Nama; Global IP Services, PLLC

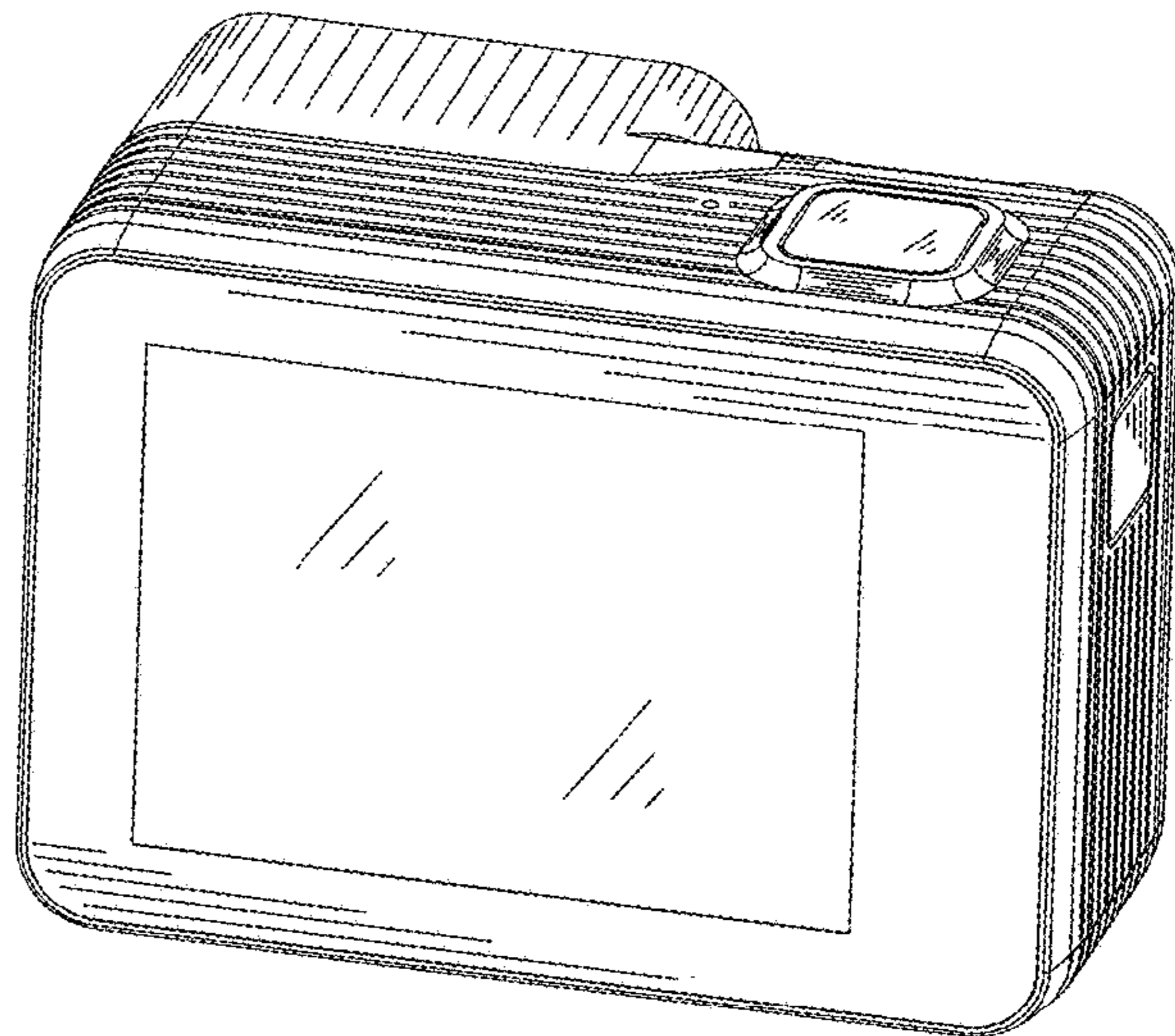
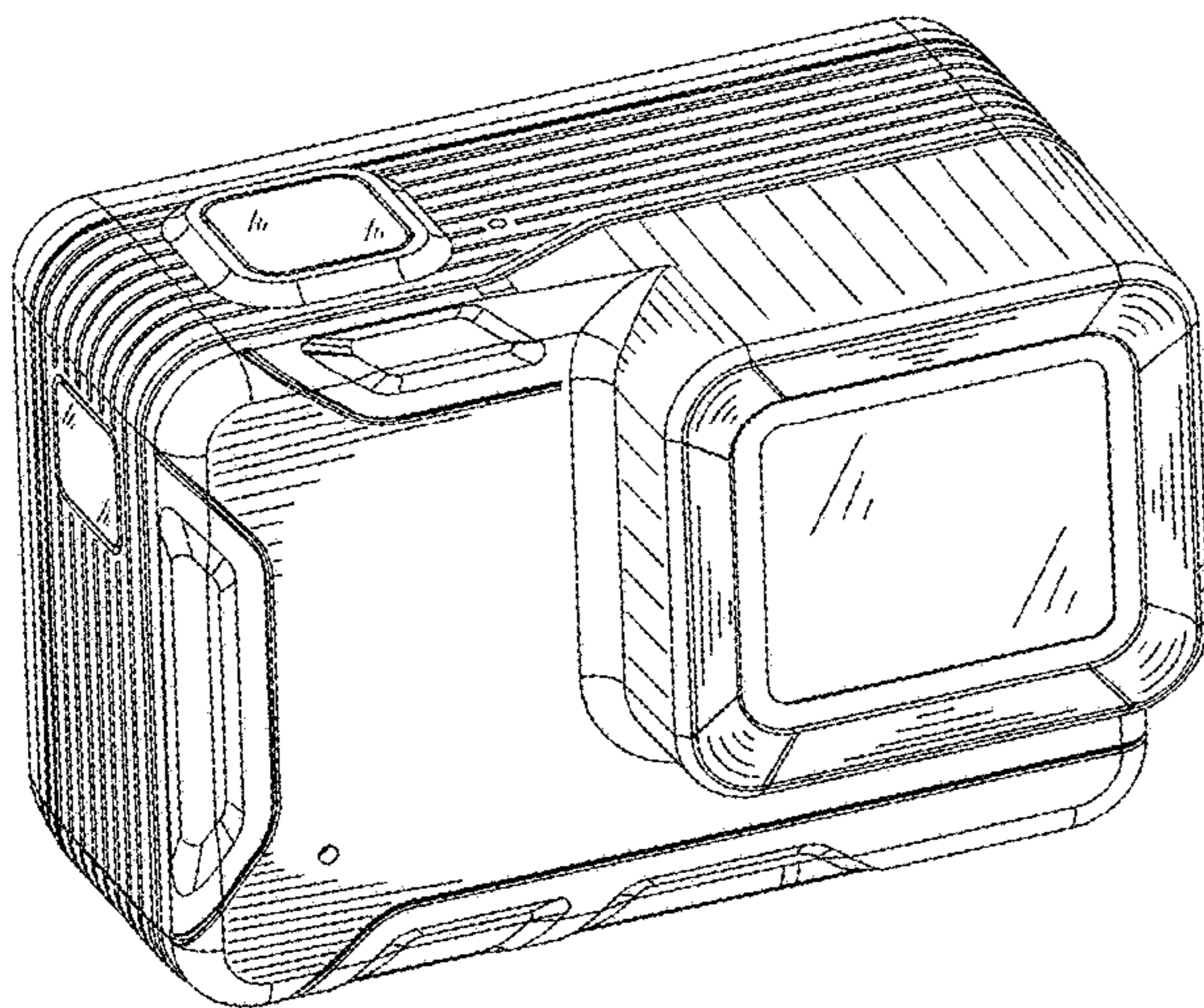
(57) **CLAIM**

The ornamental design for a sports camera, as shown and described.

DESCRIPTION

FIG. 1 is a front elevational view of a sports camera showing my new design;
FIG. 2 is a rear elevational view thereof;
FIG. 3 is an enlarged scale left side elevational view thereof;
FIG. 4 is an enlarged scale right side elevational view thereof;
FIG. 5 is a top plan view thereof;
FIG. 6 is a bottom plan view thereof;
FIG. 7 is a rear and left side perspective view thereof;
FIG. 8 is a top, rear and right side perspective view thereof; and,
FIG. 9 is a top, front and right side perspective view thereof.
The broken lines depict portions of the sports camera in which the design is embodied that form no part of the claimed design.

1 Claim, 9 Drawing Sheets



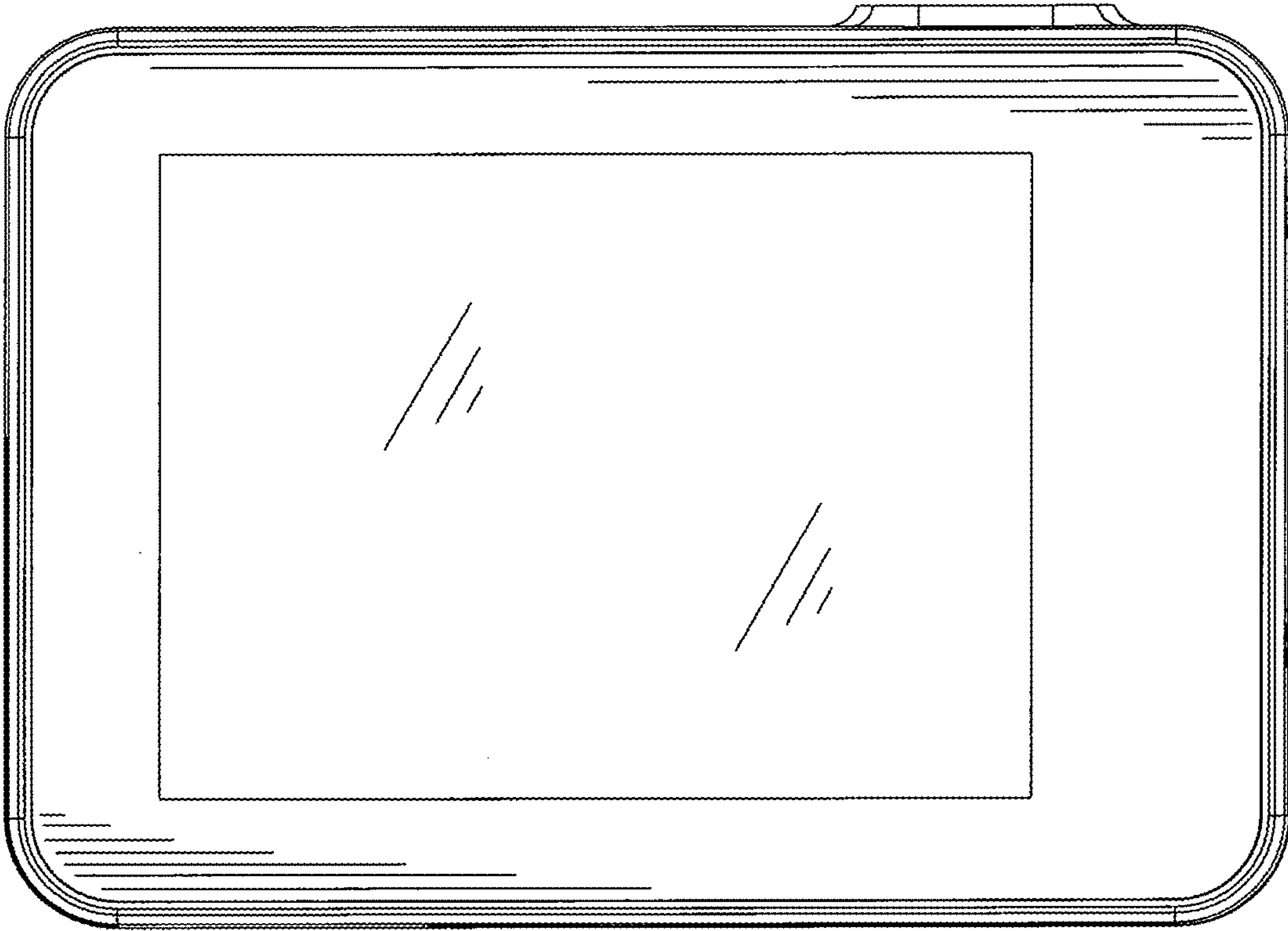


Fig. 1

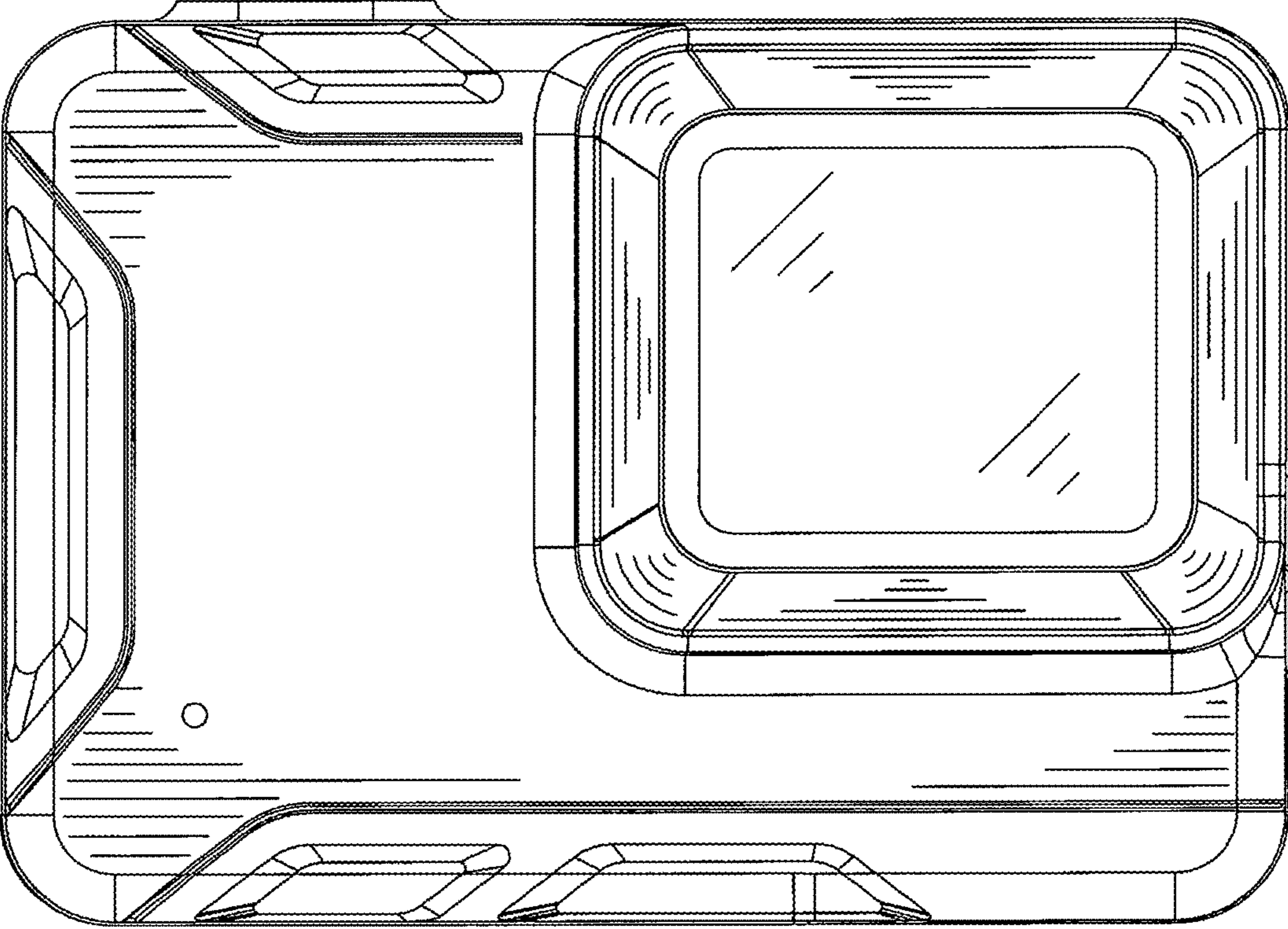


Fig. 2

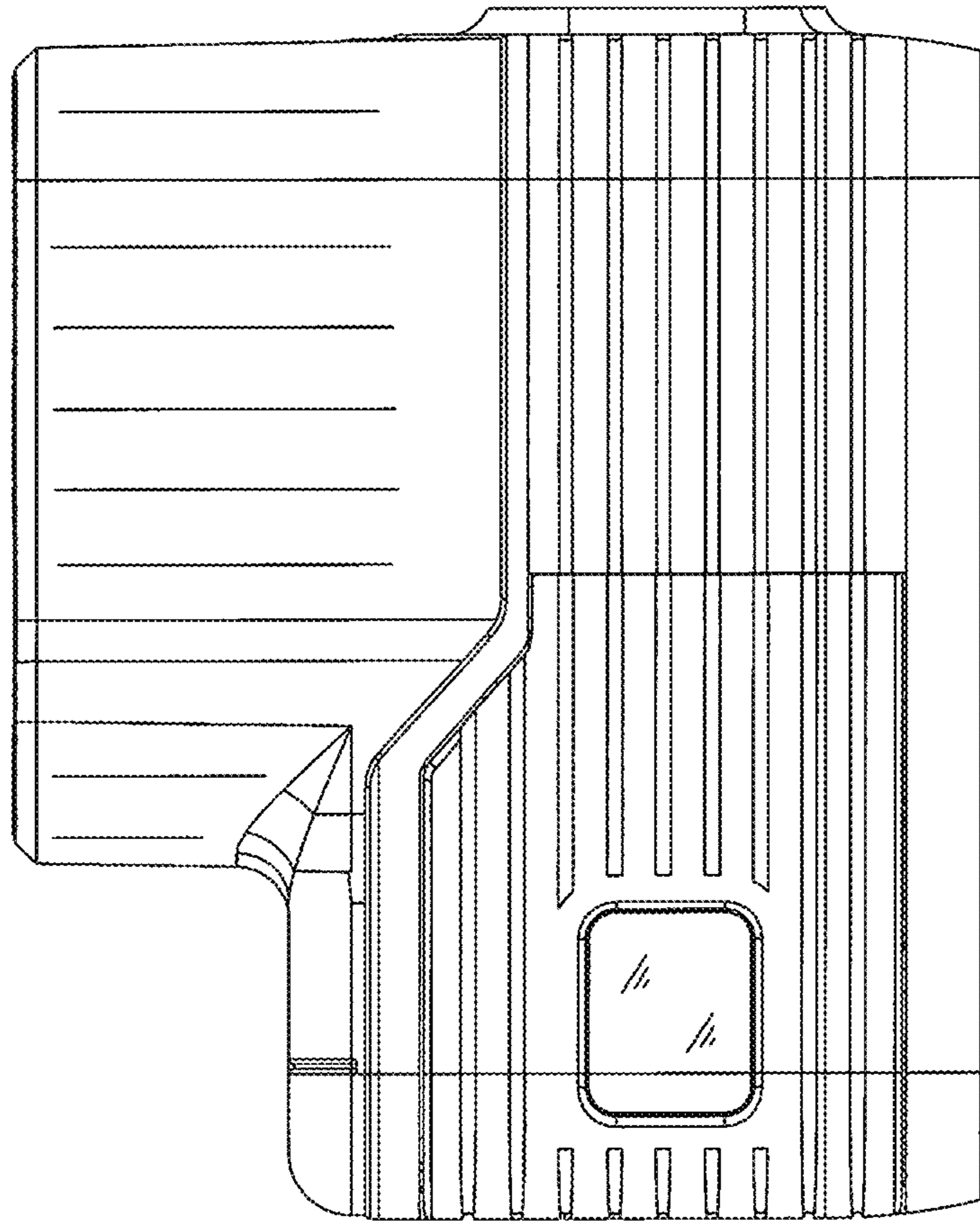


Fig. 3

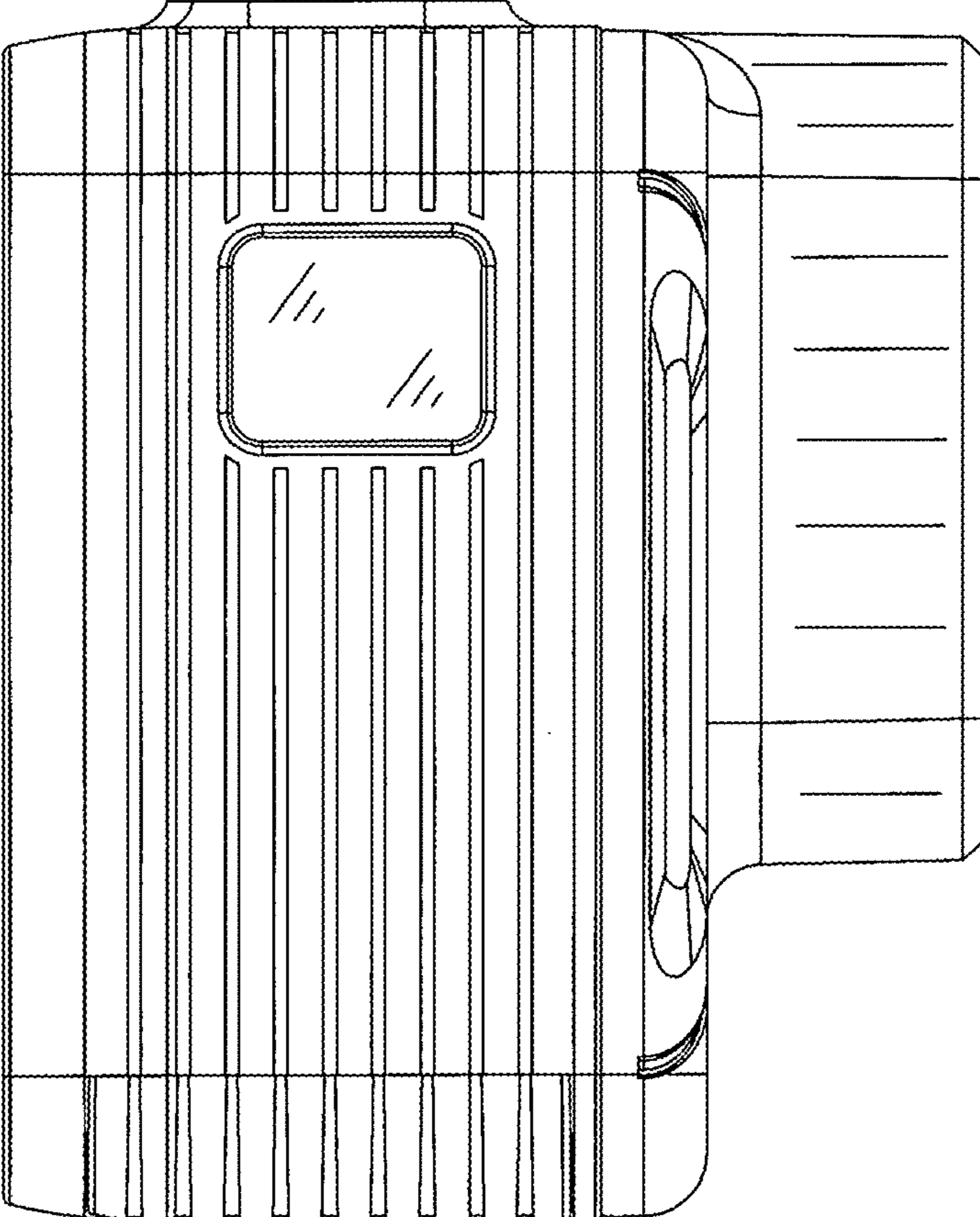


Fig. 4

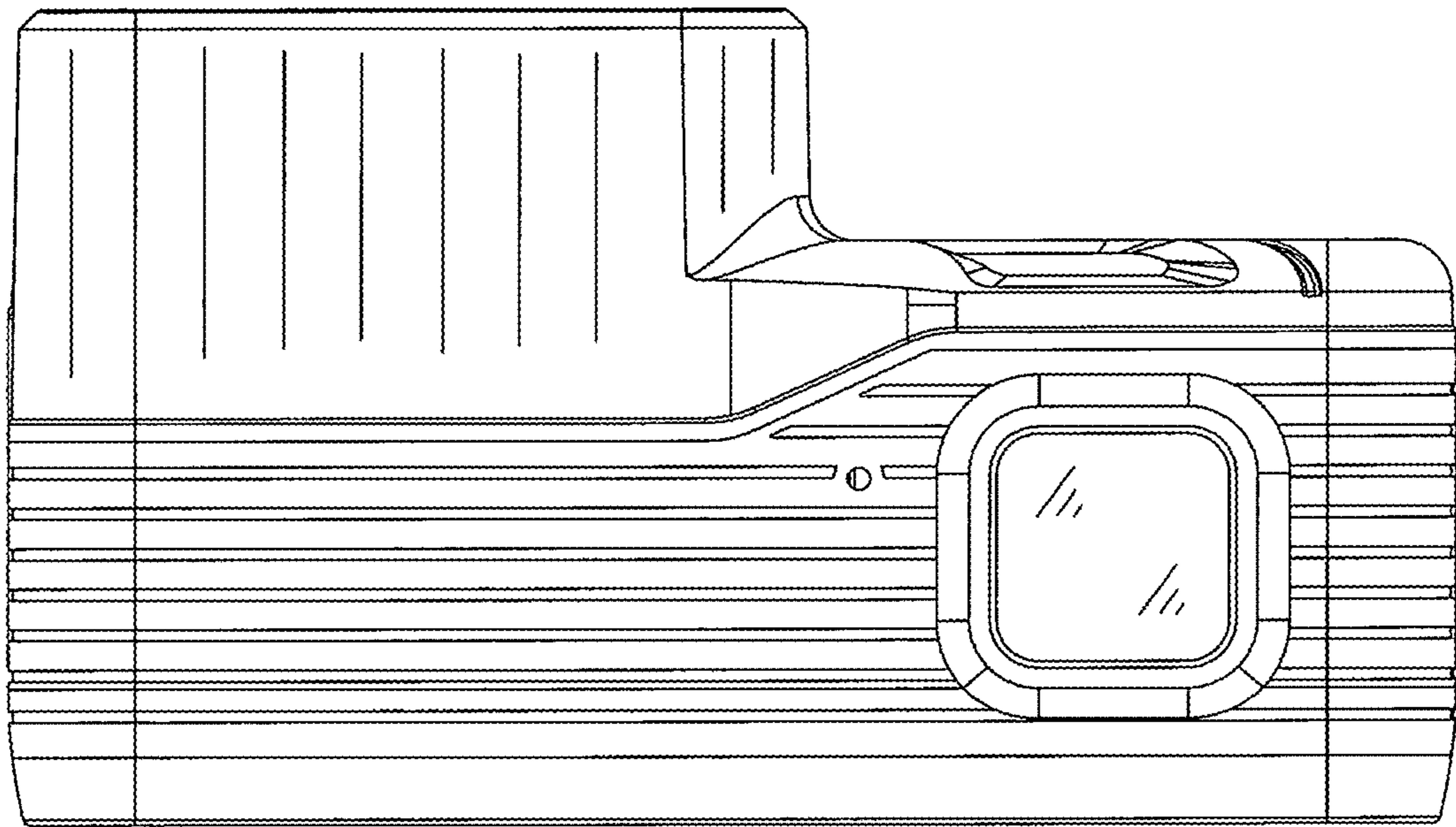


Fig. 5

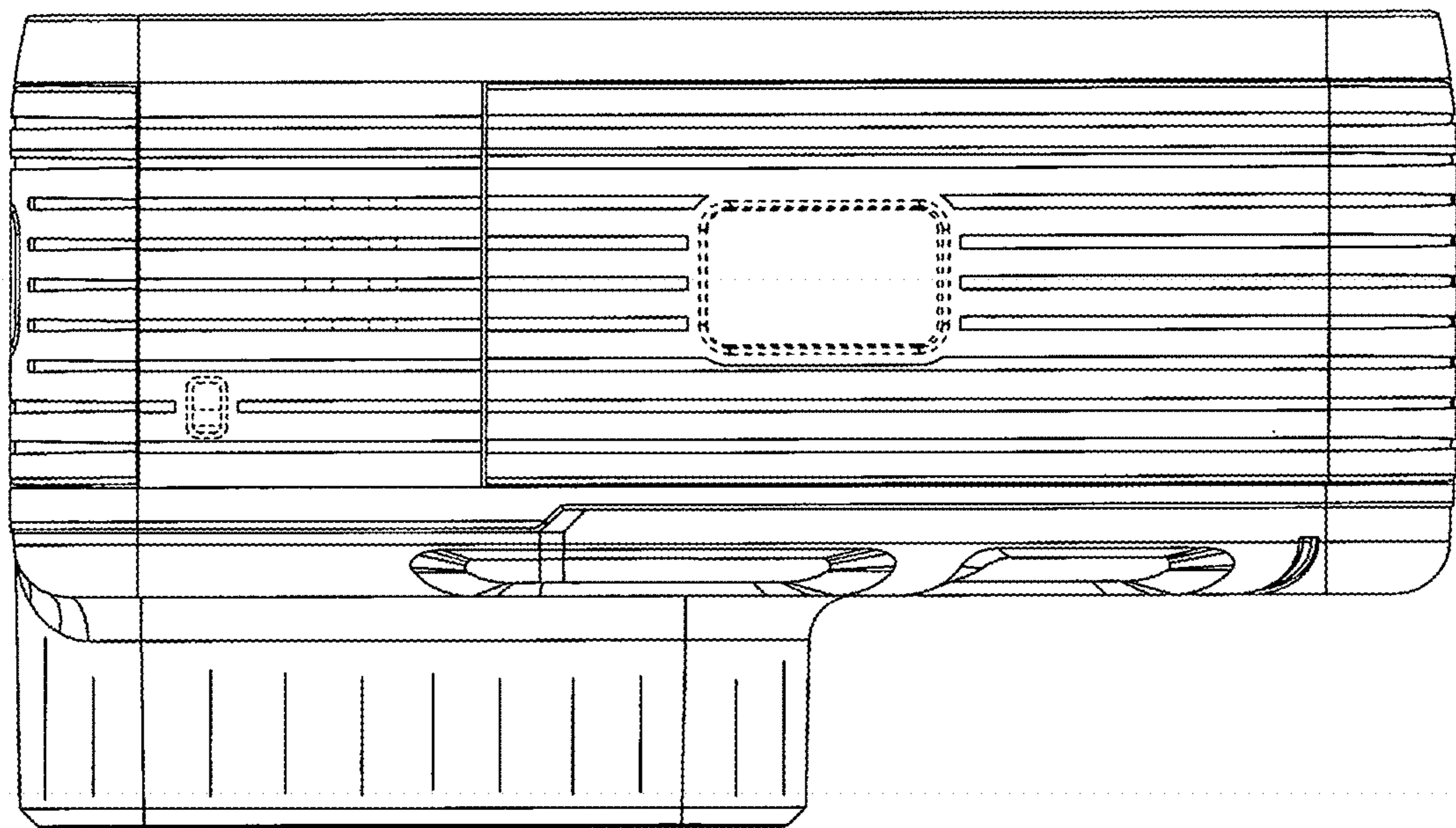


Fig. 6

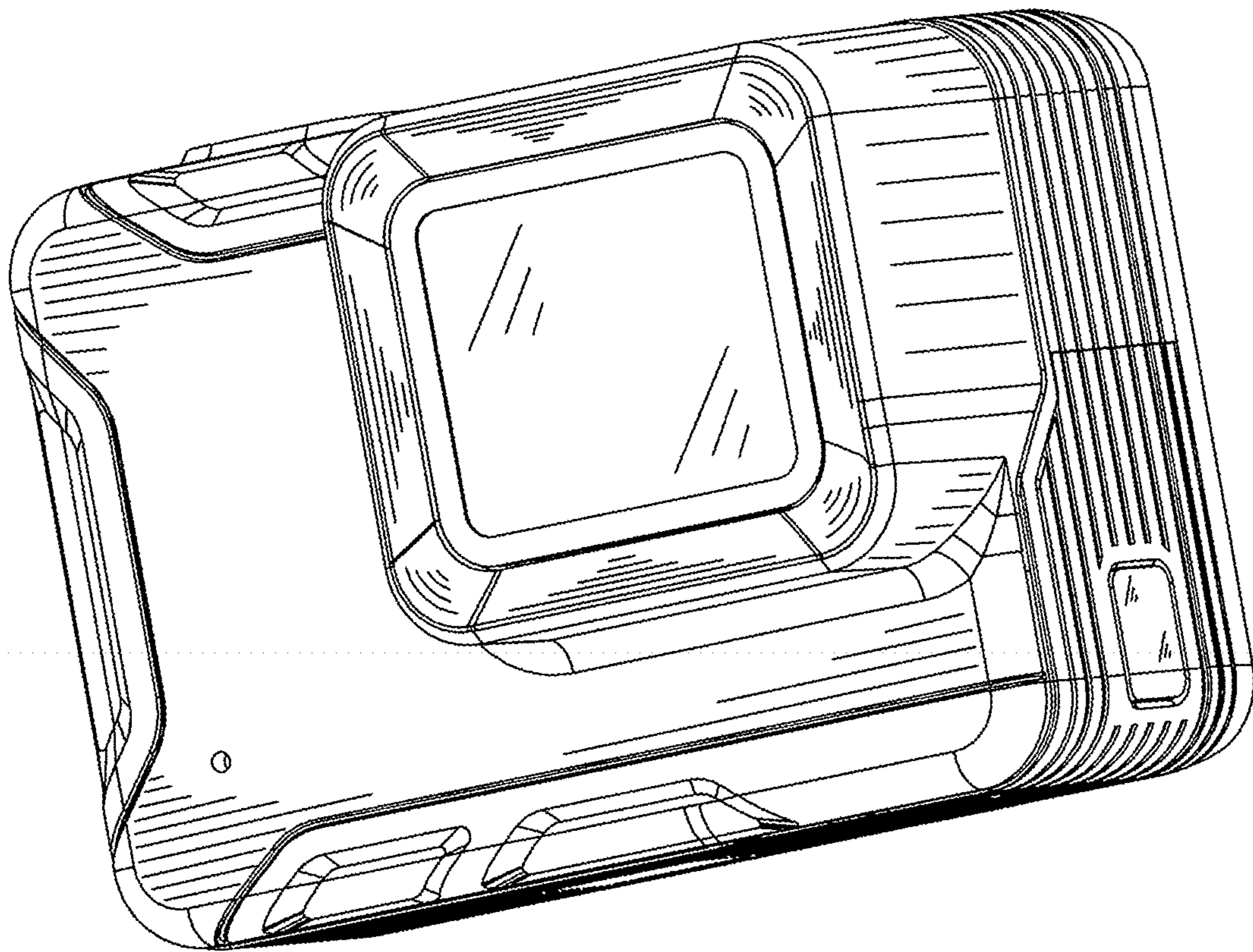


Fig. 7

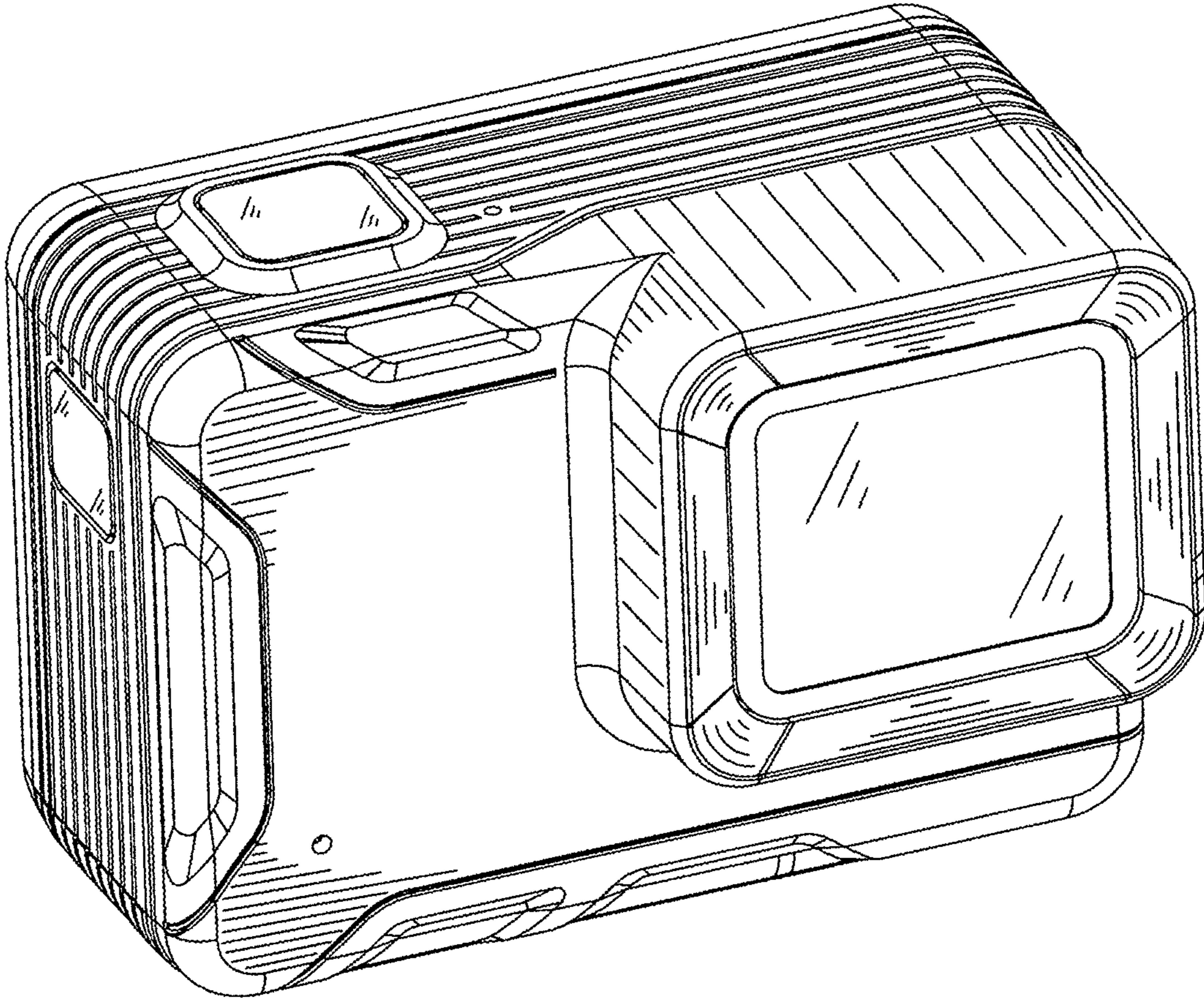


Fig. 8

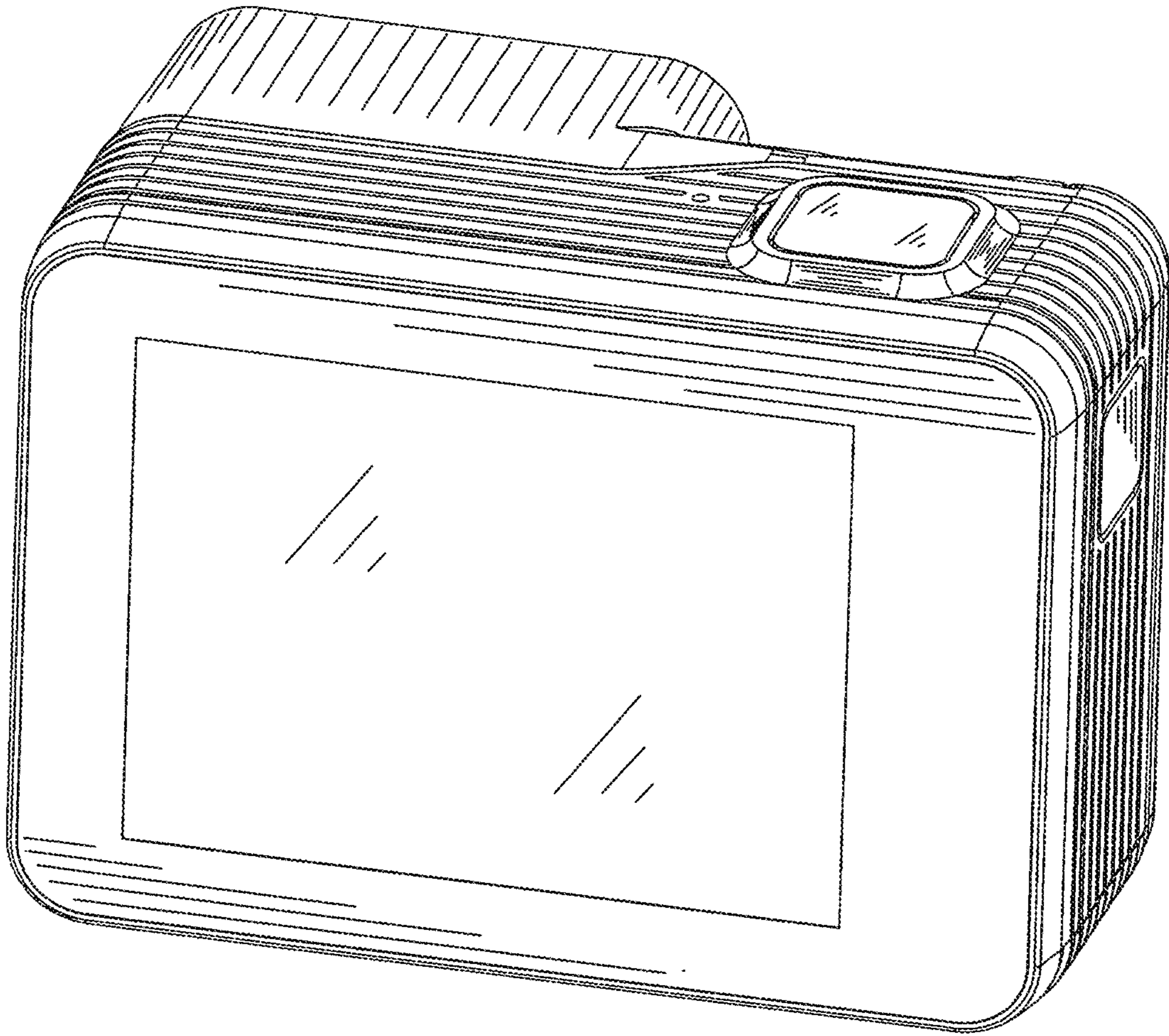


Fig. 9