



US00D871478S

(12) **United States Design Patent** (10) **Patent No.:** **US D871,478 S**  
**Wang** (45) **Date of Patent:** **\*\* Dec. 31, 2019**

(54) **ROBOT**

(71) Applicants: **Beijing Jingdong Shangke Information Technology Co., Ltd.**, Beijing (CN); **Beijing Jingdong Century Trading Co., Ltd.**, Beijing (CN)

(72) Inventor: **Meng Wang**, Beijing (CN)

(73) Assignees: **Beijing Jingdong Century Trading Co., Ltd.**, Beijing (CN); **Beijing Jingdong Shangke Info. Tech. Co., Ltd.**, Beijing (CN)

(\*\*) Term: **15 Years**

(21) Appl. No.: **29/623,407**

(22) Filed: **Oct. 25, 2017**

(30) **Foreign Application Priority Data**

May 9, 2017 (CN) ..... 2017 3 0166073

(51) **LOC (12) Cl.** ..... **15-99**

(52) **U.S. Cl.**  
USPC ..... **D15/199**

(58) **Field of Classification Search**  
USPC ..... D15/199; D21/578-583, 621, 622  
CPC ..... B25J 5/007; B60B 19/006; B62D 57/024;  
H01F 7/0221; Y10S 901/01  
See application file for complete search history.

(56) **References Cited**

**U.S. PATENT DOCUMENTS**

4,137,984 A \* 2/1979 Jennings ..... B62D 1/28  
180/168  
4,962,453 A \* 10/1990 Pong, Jr. .... A47L 11/4011  
180/167

D451,931 S \* 12/2001 Abramson ..... D15/14  
D527,854 S \* 9/2006 Marzynski ..... D15/199  
D691,337 S \* 10/2013 Kim ..... D32/21  
D704,400 S \* 5/2014 Shin ..... D32/21  
D720,510 S \* 12/2014 Shin ..... D32/21  
D720,511 S \* 12/2014 Shin ..... D32/21  
D743,647 S \* 11/2015 Heck ..... D32/21  
D748,878 S \* 2/2016 Dooley ..... D32/21  
D781,955 S \* 3/2017 Kim ..... D18/50  
D810,799 S \* 2/2018 Sokuza ..... D15/199  
D812,663 S \* 3/2018 Waters ..... D15/199  
D832,372 S \* 10/2018 Huang ..... D21/578  
2005/0144904 A1 \* 7/2005 Veltkamp ..... E04B 1/803  
52/782.1

\* cited by examiner

*Primary Examiner* — Patricia A Palasik

(74) *Attorney, Agent, or Firm* — Dinsmore & Shohl, LLP

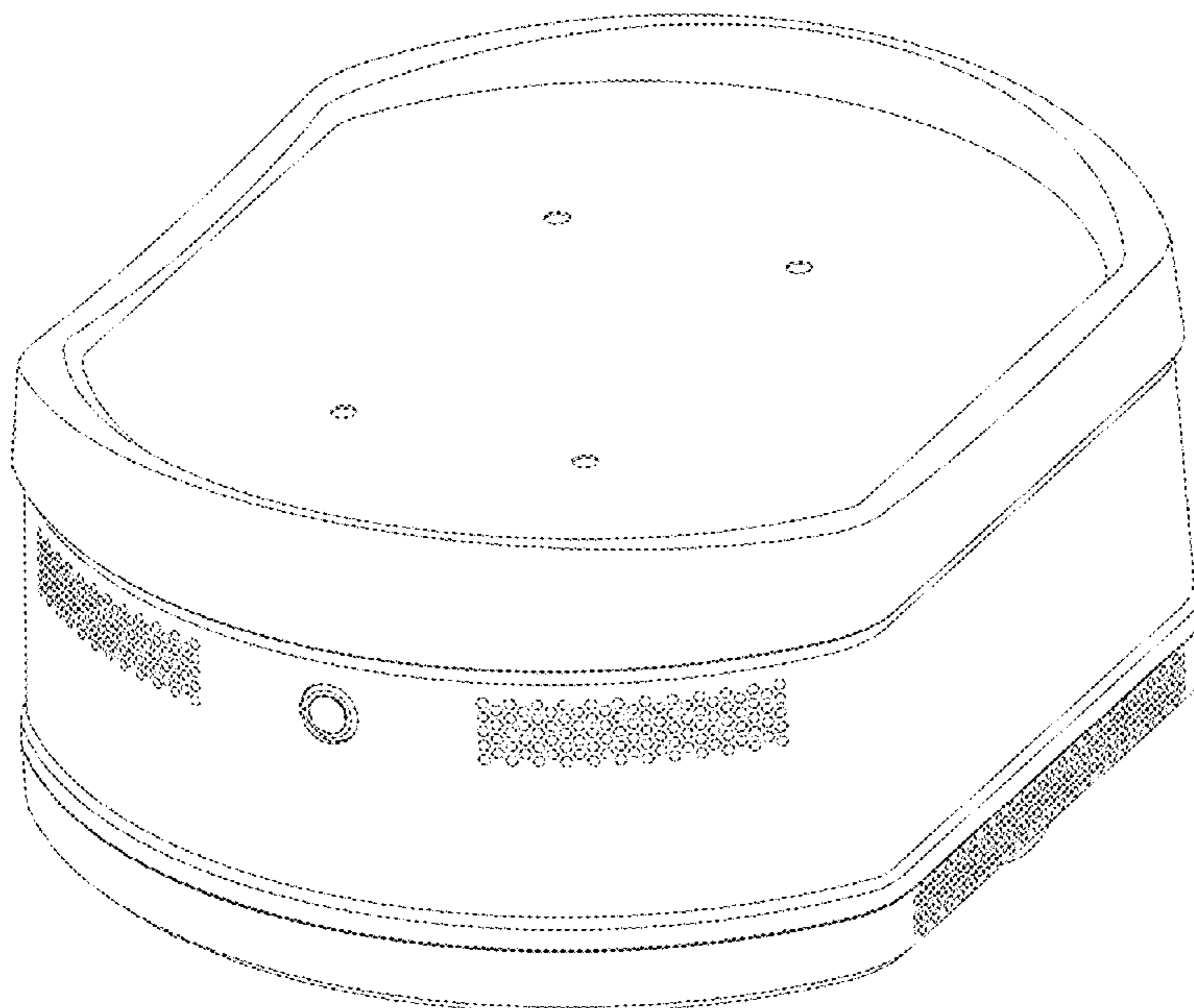
(57) **CLAIM**

The ornamental design for a robot, as shown and described.

**DESCRIPTION**

FIG. 1 is a front, right perspective view of a robot showing the design;  
FIG. 2 is a rear, left perspective view of the design;  
FIG. 3 is a front elevation view of the design;  
FIG. 4 is a rear elevation view of the design;  
FIG. 5 is a left-side elevation view of the design  
FIG. 6 is a right-side elevation view of the design;  
FIG. 7 is a top plan view of the design; and,  
FIG. 8 is a bottom plan view of the design.  
The broken lines in the drawings depict portions of the robot and form no part of the claimed design.

**1 Claim, 8 Drawing Sheets**



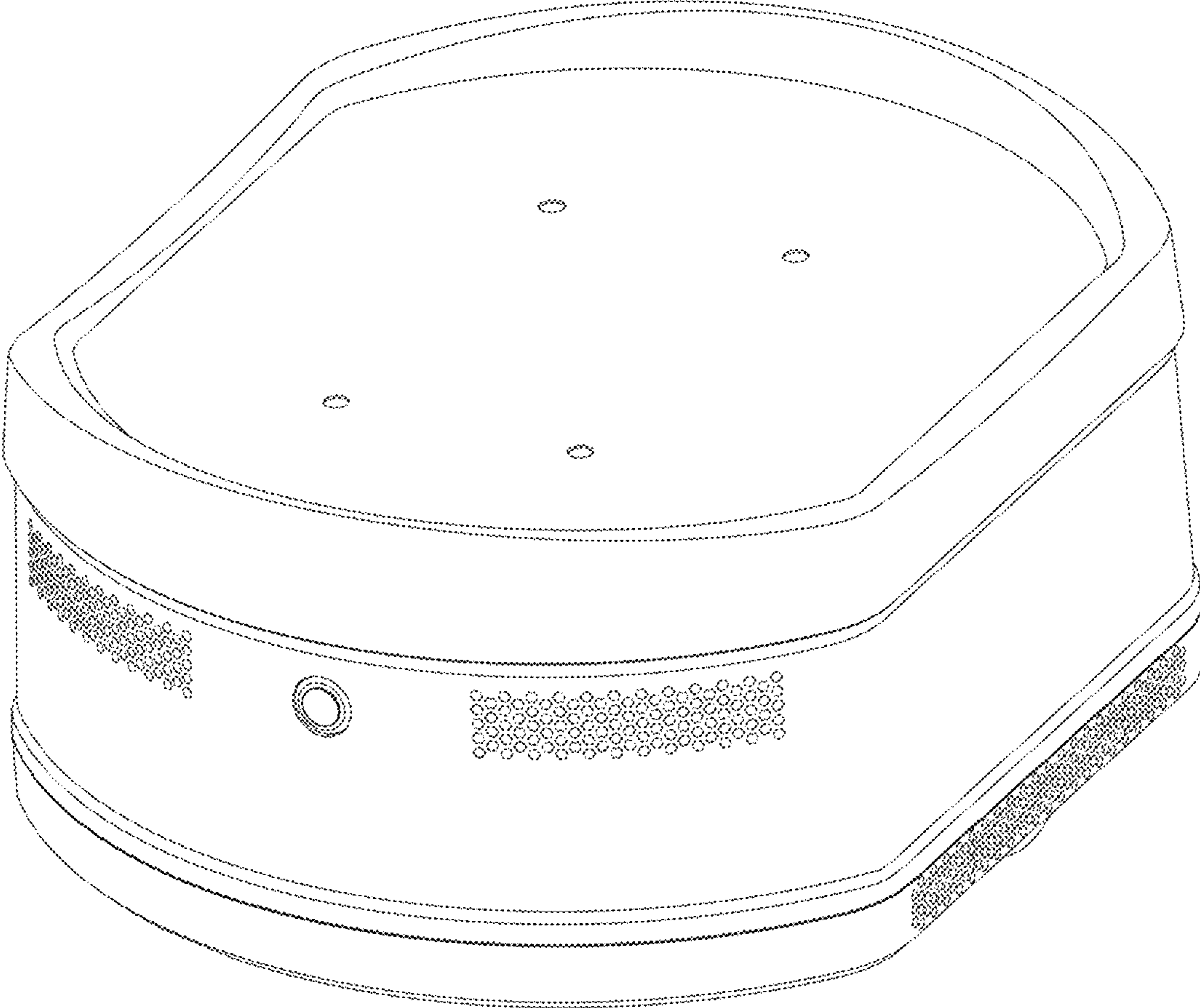


Fig. 1

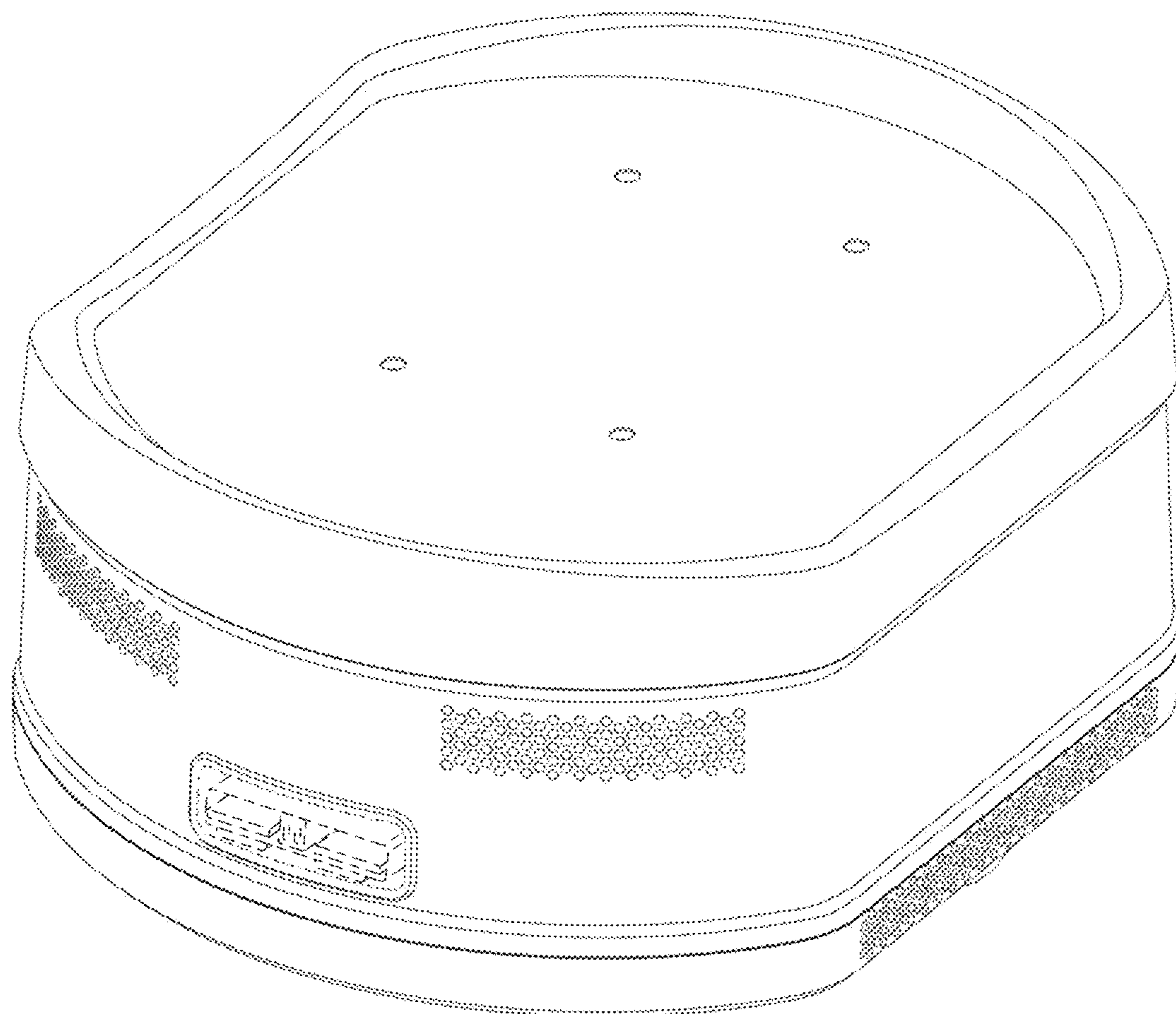


Fig. 2

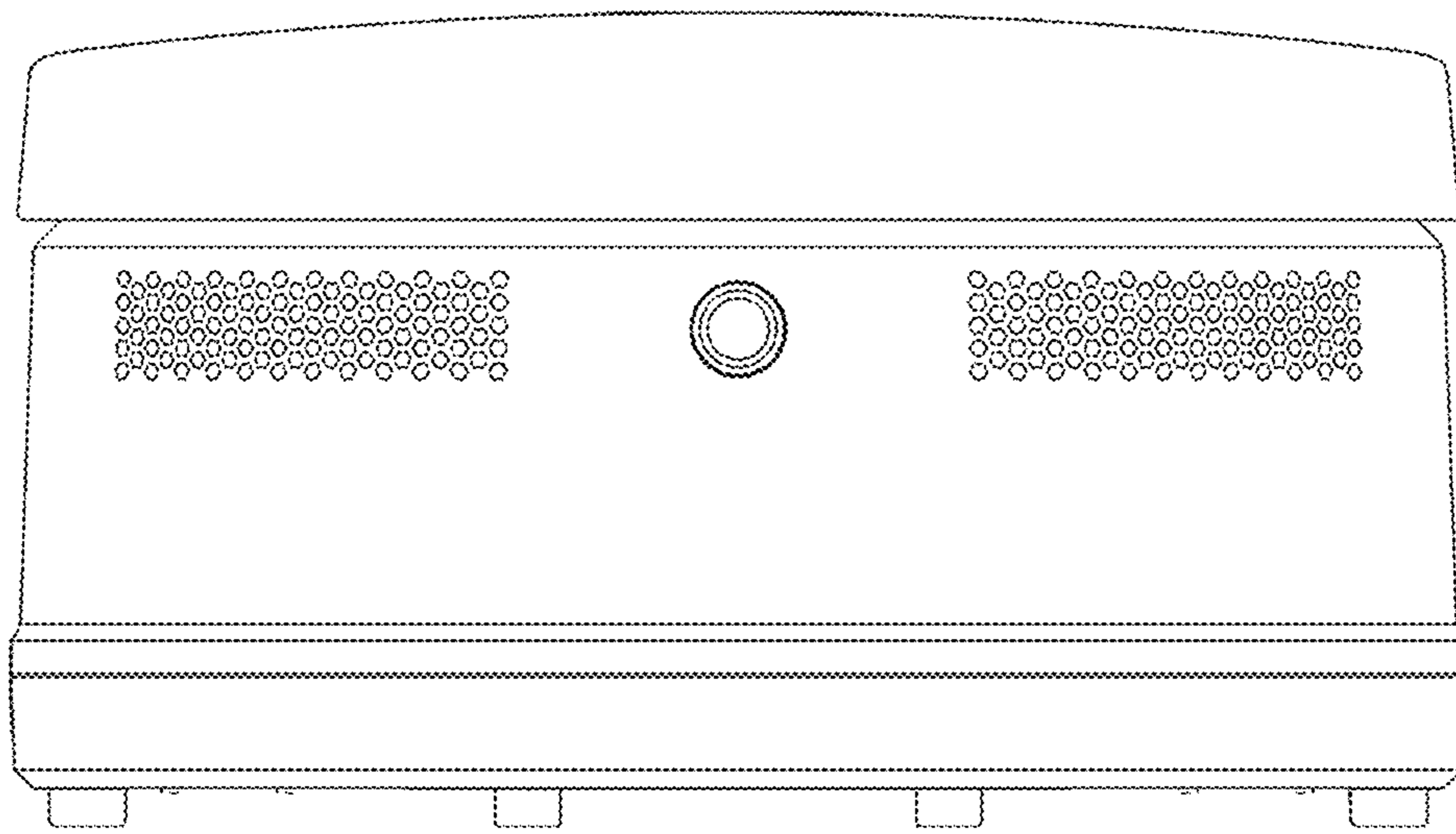


Fig. 3



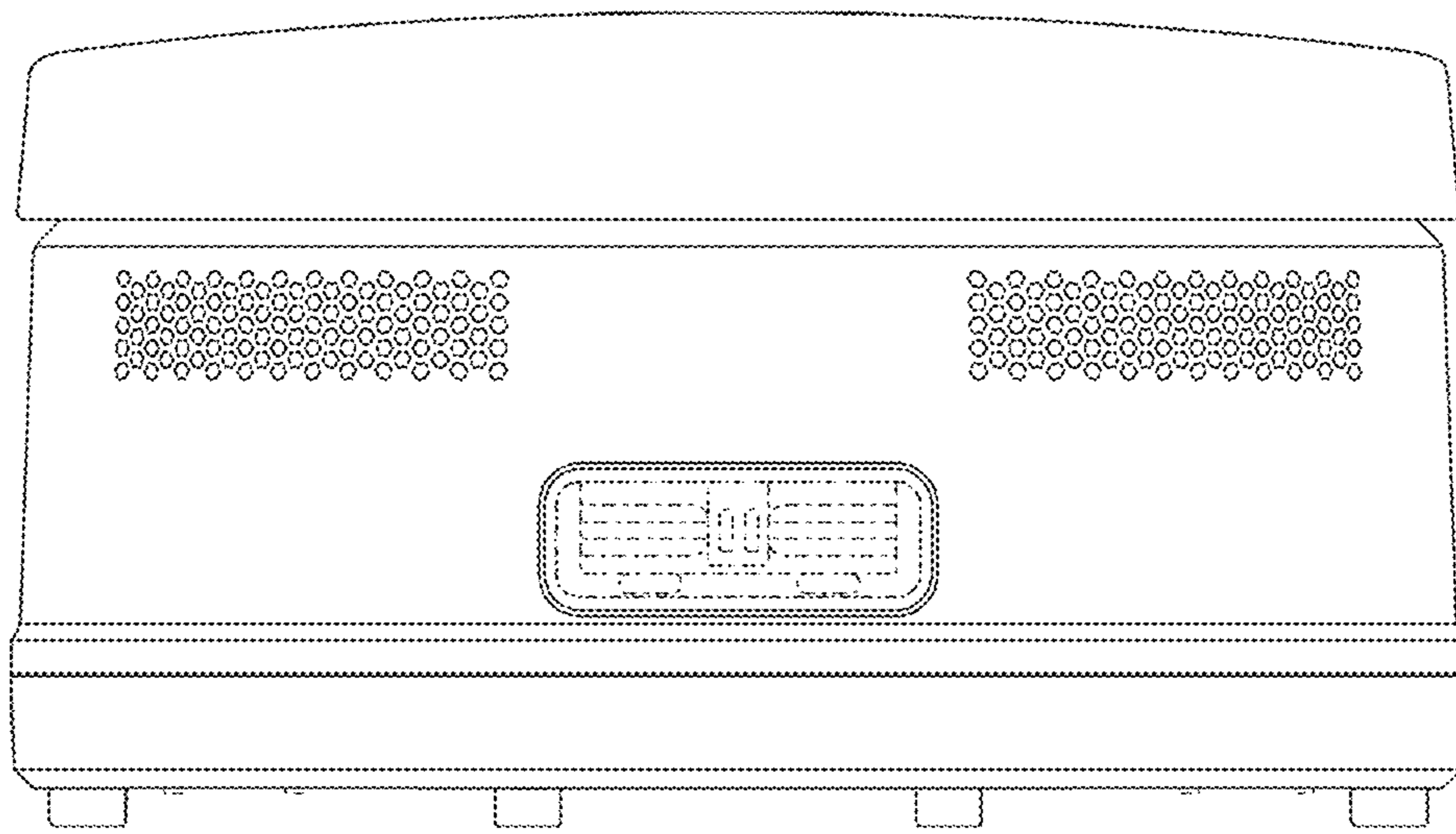


Fig. 4

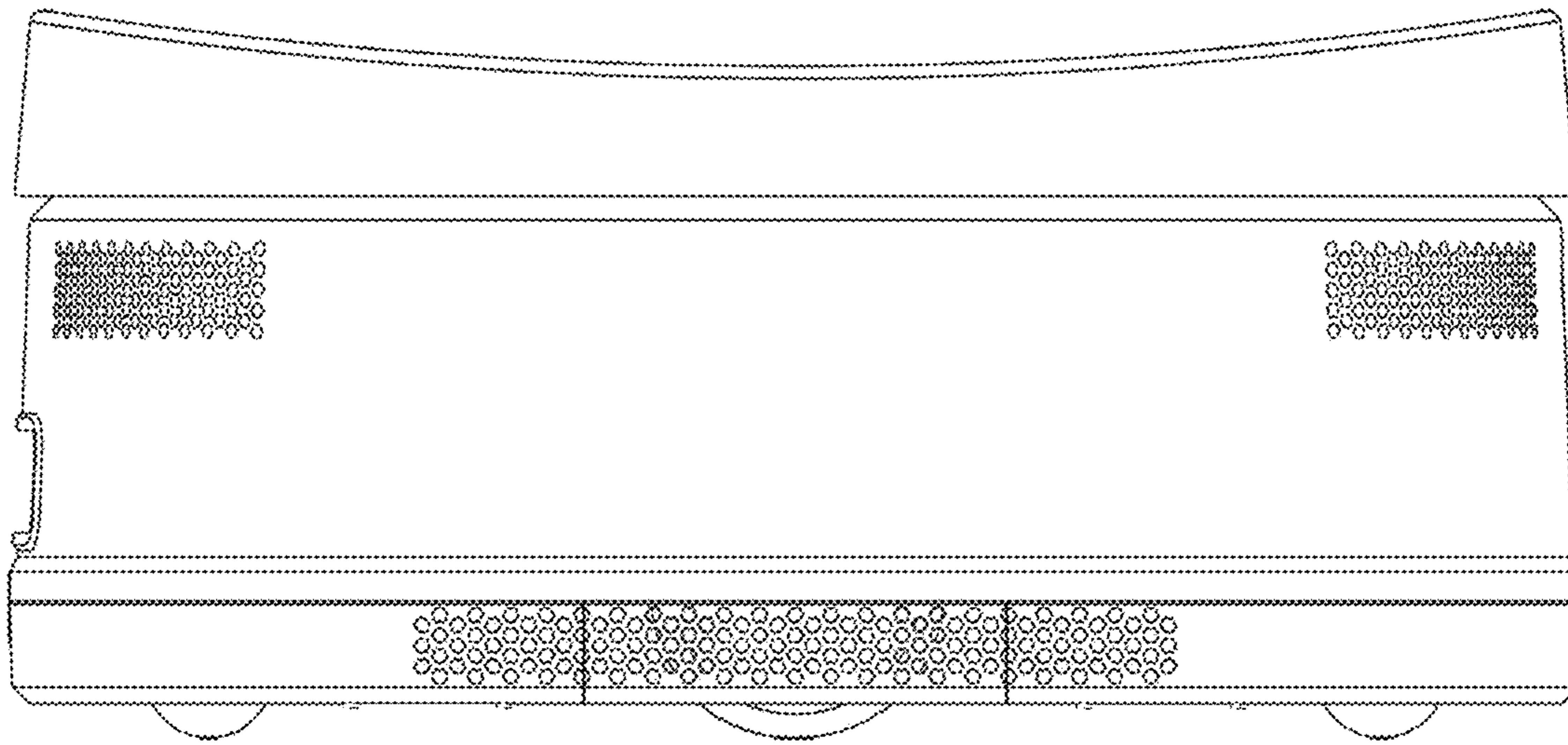


Fig. 5

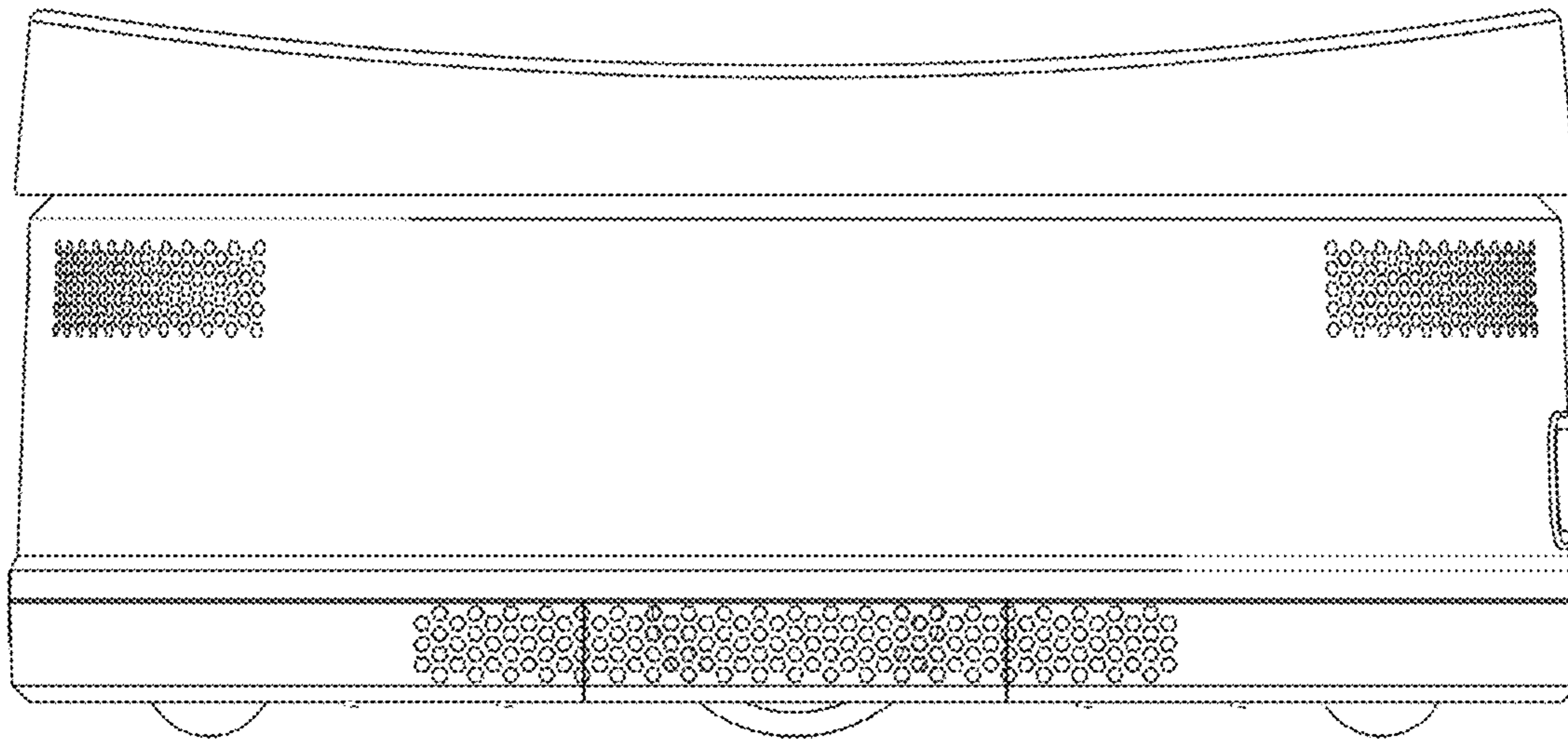


Fig. 6

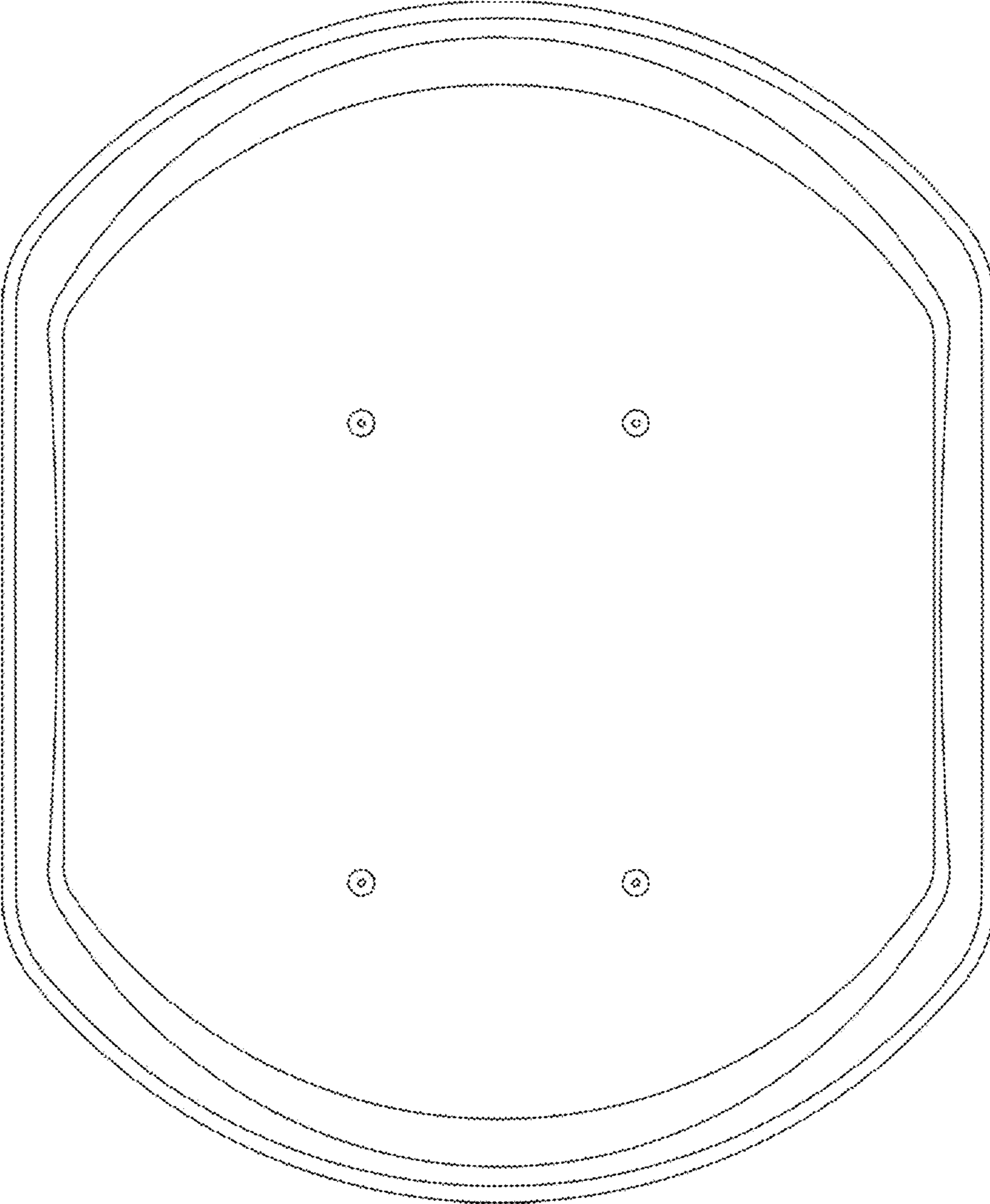


Fig. 7



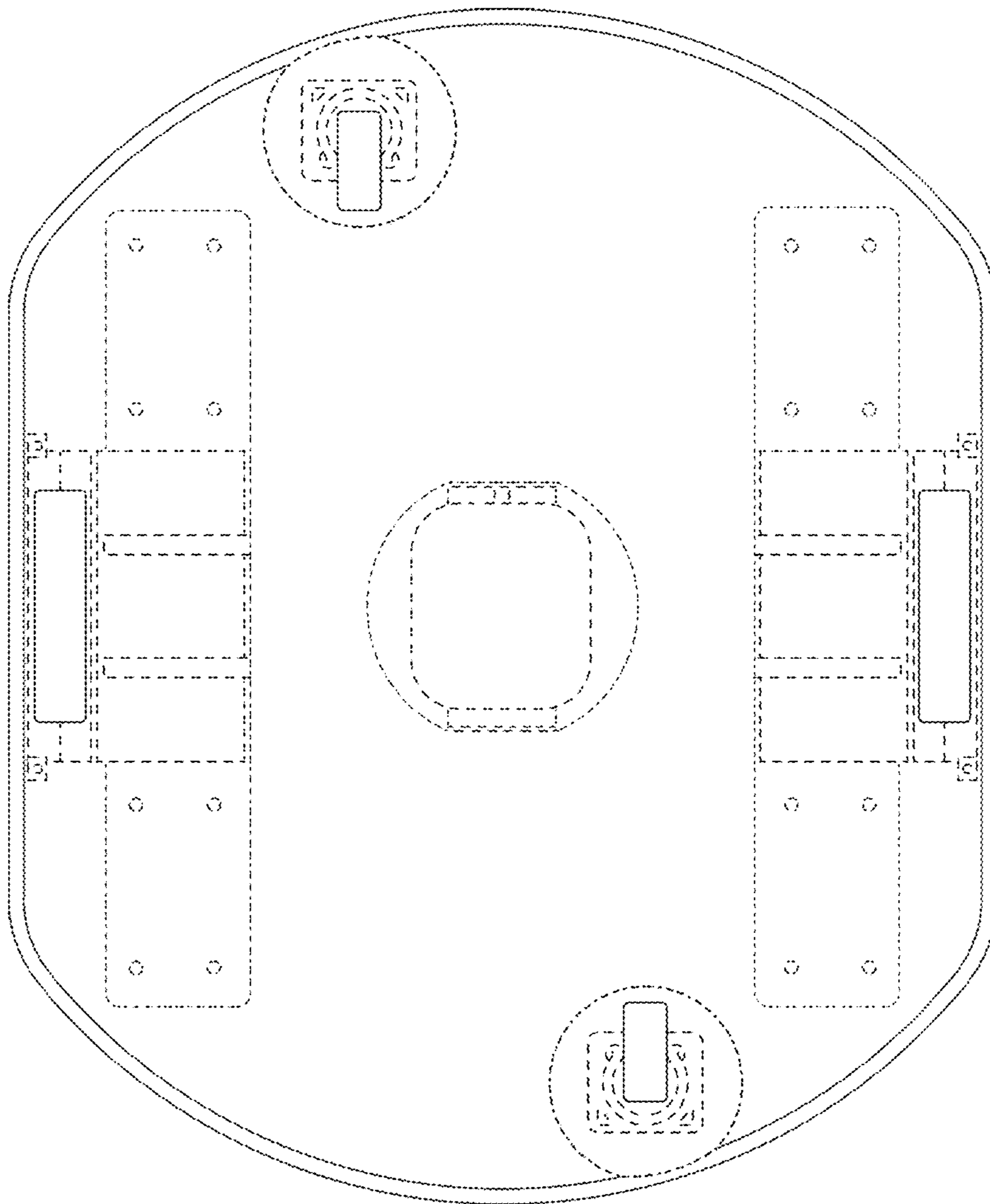


Fig. 8