



US00D871477S

(12) **United States Design Patent** (10) **Patent No.:** **US D871,477 S**  
**Kolb** (45) **Date of Patent:** **\*\* Dec. 31, 2019**

(54) **AUTOMATED GUIDED VEHICLE**  
(71) Applicant: **Safelog GmbH**, Kirchheim bei München (DE)  
(72) Inventor: **Maximilian Kolb**, Kirchheim bei München (DE)  
(73) Assignee: **Safelog GmbH**, Munich (DE)  
(\*\*) Term: **15 Years**  
(21) Appl. No.: **29/614,285**  
(22) Filed: **Aug. 17, 2017**  
(30) **Foreign Application Priority Data**  
Feb. 17, 2017 (DE) ..... 40 2017 100 172  
(51) **LOC (12) Cl.** ..... **15-09**  
(52) **U.S. Cl.**  
USPC ..... **D15/199**  
(58) **Field of Classification Search**  
USPC ..... D6/338, 356; D15/199; D21/578-583, D21/621, 622  
CPC .... B60L 50/66; G05D 1/0242; G05D 1/0265; G05D 2201/0216; Y02T 10/705; Y02T 10/7005  
See application file for complete search history.

(56) **References Cited**  
**U.S. PATENT DOCUMENTS**  
4,137,984 A \* 2/1979 Jennings ..... B62D 1/28 180/168  
4,962,453 A \* 10/1990 Pong, Jr. .... A47L 11/4011 180/167  
5,154,249 A \* 10/1992 Yardley ..... B60D 1/06 180/168  
6,019,563 A \* 2/2000 Murata ..... B23Q 7/1436 414/222.01  
D451,931 S \* 12/2001 Abramson ..... D15/14  
D527,854 S \* 9/2006 Marzynski ..... D15/199

D691,337 S \* 10/2013 Kim ..... D32/21  
D704,400 S \* 5/2014 Shin ..... D32/21  
D720,510 S \* 12/2014 Shin ..... D32/21  
D720,511 S \* 12/2014 Shin ..... D32/21  
D741,609 S \* 10/2015 Williams ..... D6/338  
D743,647 S \* 11/2015 Heck ..... D32/21  
D748,878 S \* 2/2016 Dooley ..... D32/21  
D781,955 S \* 3/2017 Kim ..... D18/50  
D810,799 S \* 2/2018 Sokuza ..... D15/199  
D812,663 S \* 3/2018 Waters ..... D15/199  
D832,372 S \* 10/2018 Huang ..... D21/578  
10,202,061 B2 \* 2/2019 Scherle ..... B66F 9/063  
2004/0042885 A1 \* 3/2004 Rokkaku ..... B60L 15/38 414/529  
2005/0144904 A1 \* 7/2005 Veltkamp ..... E04B 1/803 52/782.1  
2009/0074545 A1 \* 3/2009 Lert, Jr. .... B65G 1/0492 414/276  
2010/0230196 A1 \* 9/2010 Nishimura ..... B60L 8/003 180/165  
2010/0316468 A1 \* 12/2010 Lert ..... B65G 1/045 414/273

(Continued)

*Primary Examiner* — Patricia A Palasik  
(74) *Attorney, Agent, or Firm* — Myers Wolin, LLC

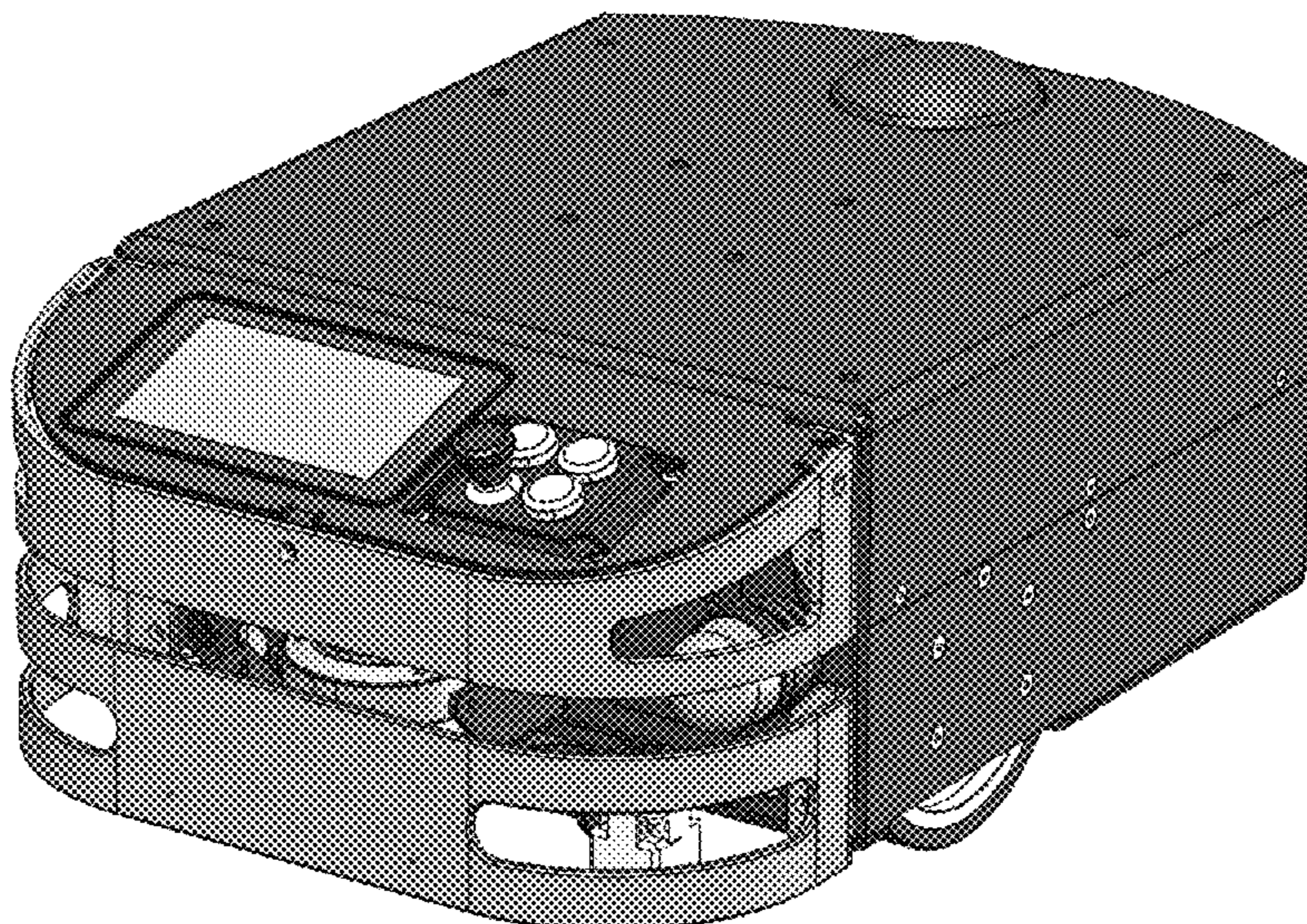
(57) **CLAIM**

The ornamental design for an automated guided vehicle, as shown and described.

**DESCRIPTION**

FIG. 1 is a perspective view of an automated guided vehicle showing my new design;  
FIG. 2 is a front elevational view thereof;  
FIG. 3 is a rear elevational view thereof;  
FIG. 4 is a left side elevational view thereof;  
FIG. 5 is a right side elevational view thereof; and,  
FIG. 6 is a top plan view thereof.

**1 Claim, 4 Drawing Sheets**



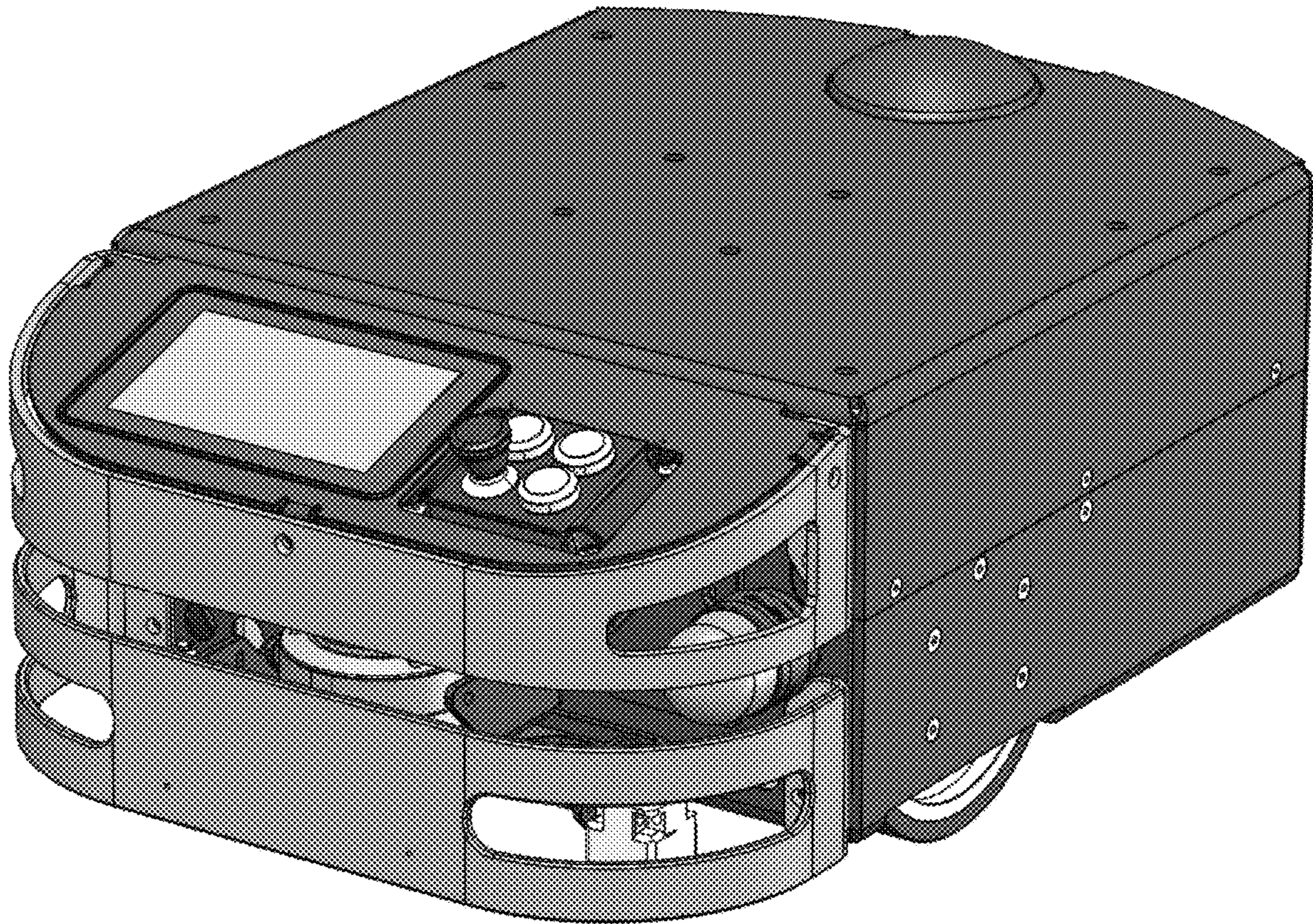
(56)

**References Cited**

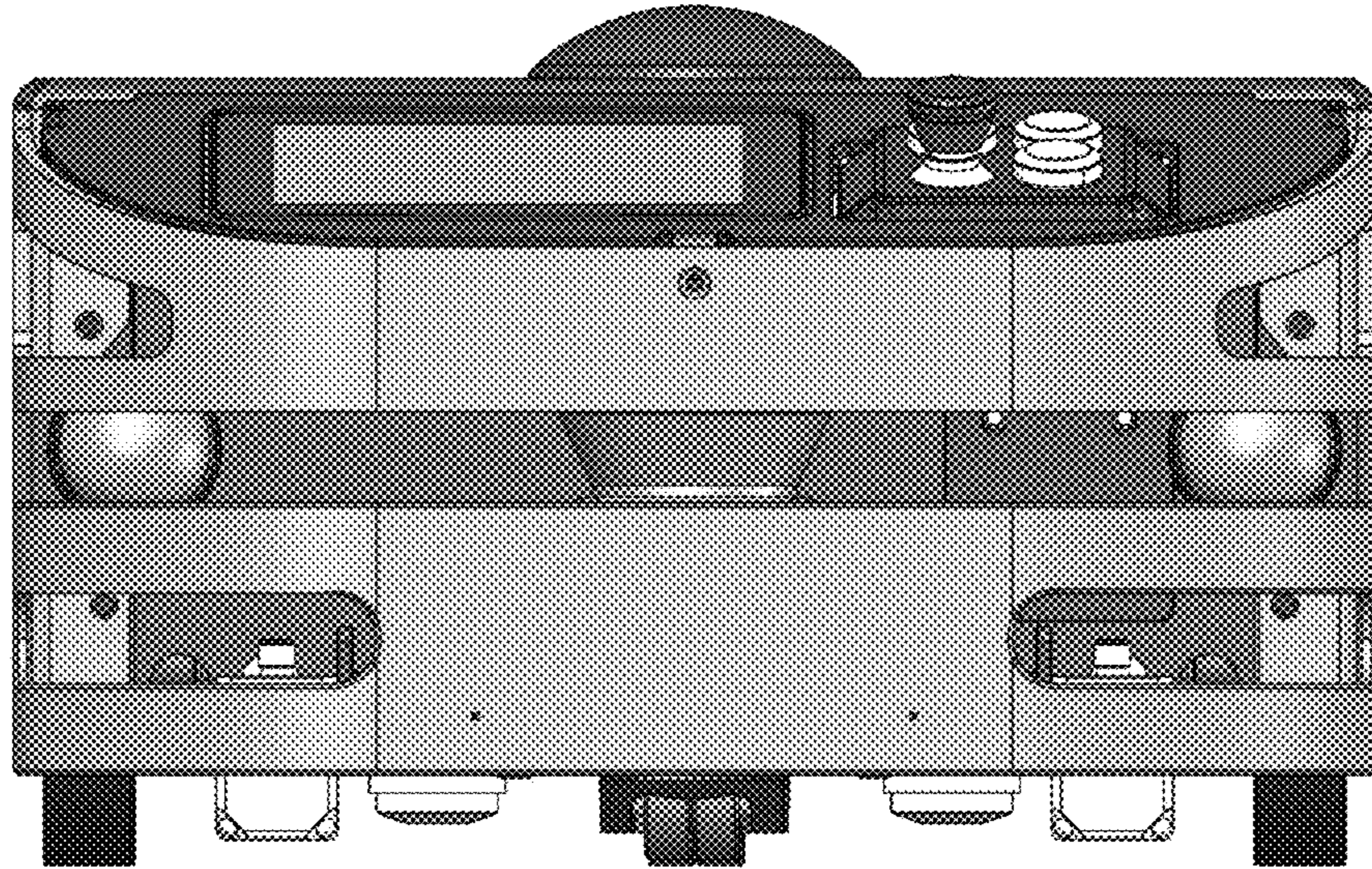
U.S. PATENT DOCUMENTS

2010/0316469 A1\* 12/2010 Lert ..... B65G 1/045  
 414/273  
 2011/0106352 A1\* 5/2011 Scheurman ..... G05D 1/0242  
 701/22  
 2012/0185082 A1\* 7/2012 Toebes ..... B65G 1/0492  
 700/218  
 2012/0185122 A1\* 7/2012 Sullivan ..... G05D 1/0272  
 701/23  
 2012/0189409 A1\* 7/2012 Toebes ..... B65G 1/0492  
 414/273  
 2012/0189410 A1\* 7/2012 Toebes ..... B65G 1/0492  
 414/273  
 2012/0195720 A1\* 8/2012 Sullivan ..... B65G 1/04  
 414/277  
 2012/0197431 A1\* 8/2012 Toebes ..... B65G 1/0492  
 700/217  
 2013/0129453 A1\* 5/2013 Salichs ..... B65G 1/026  
 414/277  
 2013/0245810 A1\* 9/2013 Sullivan ..... G06Q 10/08  
 700/214  
 2014/0308098 A1\* 10/2014 Lert ..... B65G 1/0492  
 414/281  
 2015/0243949 A1\* 8/2015 Fukui ..... H01M 2/1083  
 429/93  
 2016/0167880 A1\* 6/2016 Pankratov ..... B65G 1/0492  
 414/281  
 2016/0207710 A1\* 7/2016 Conrad ..... B65G 1/0485  
 2016/0214808 A1\* 7/2016 Cyrulik ..... B65G 1/1373  
 2017/0144502 A1\* 5/2017 Bae ..... B62D 61/12  
 2017/0182924 A1\* 6/2017 Lendo ..... B60L 53/16  
 2018/0072212 A1\* 3/2018 Alfaro ..... B60G 3/08  
 2018/0099811 A1\* 4/2018 Shen ..... B65G 1/0492  
 2019/0017570 A1\* 1/2019 Tomomasa ..... F16F 15/08

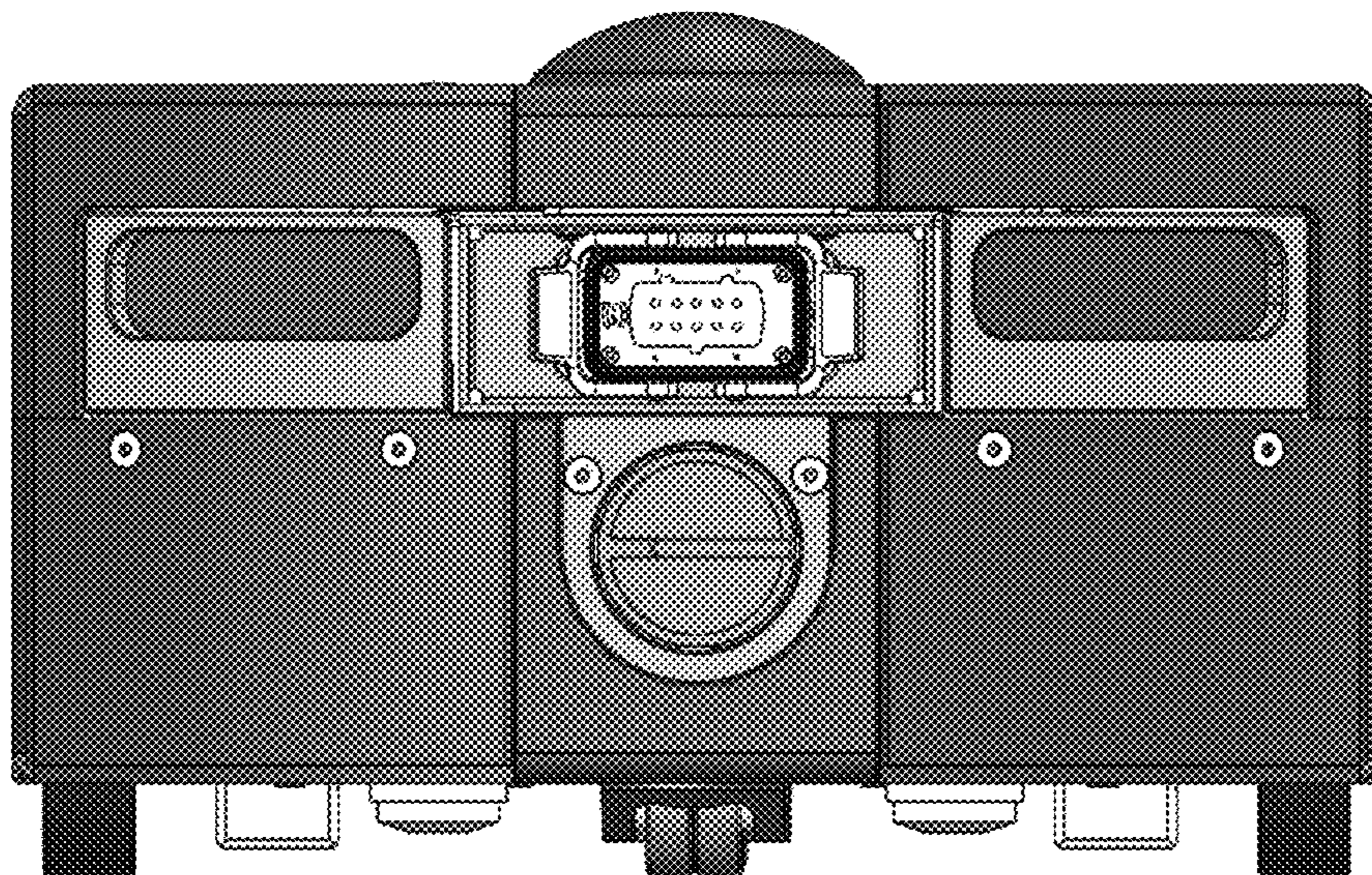
\* cited by examiner



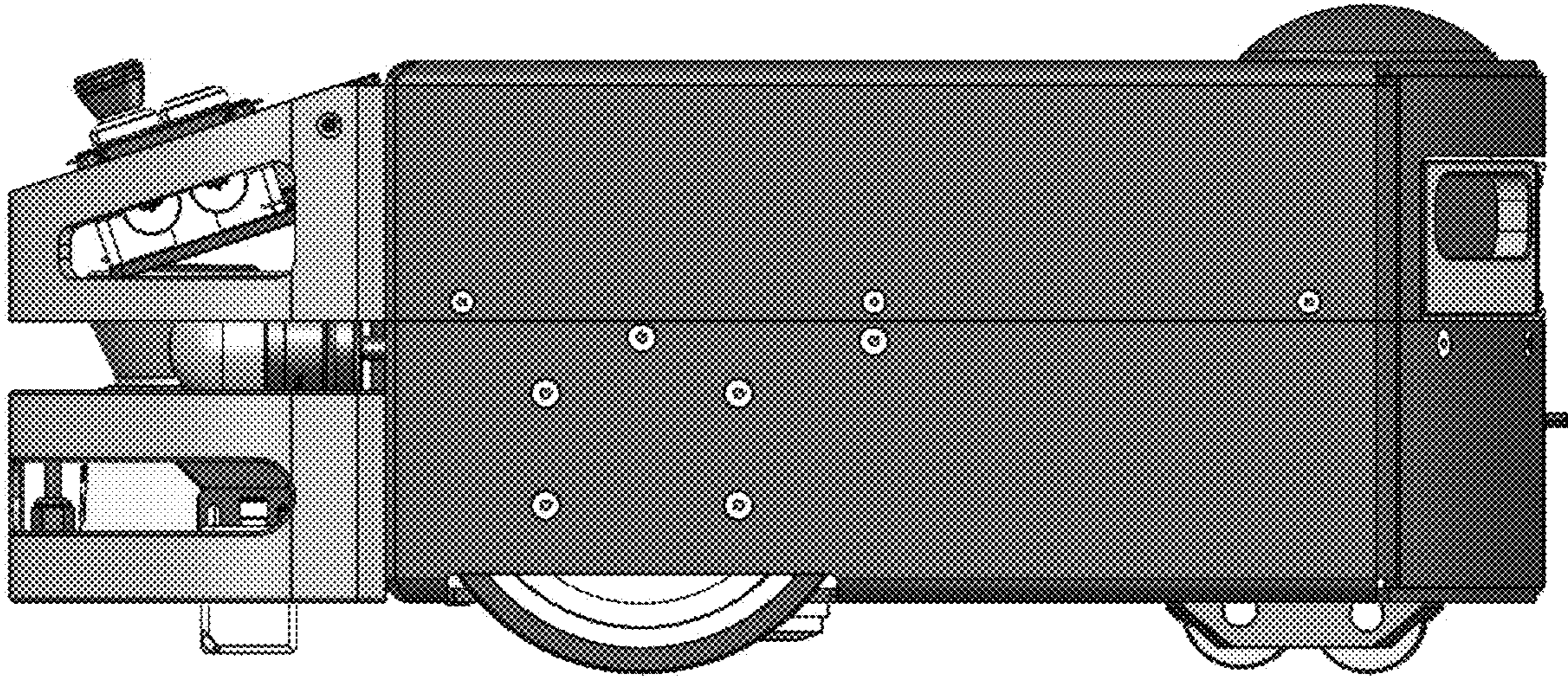
*FIG. 1*



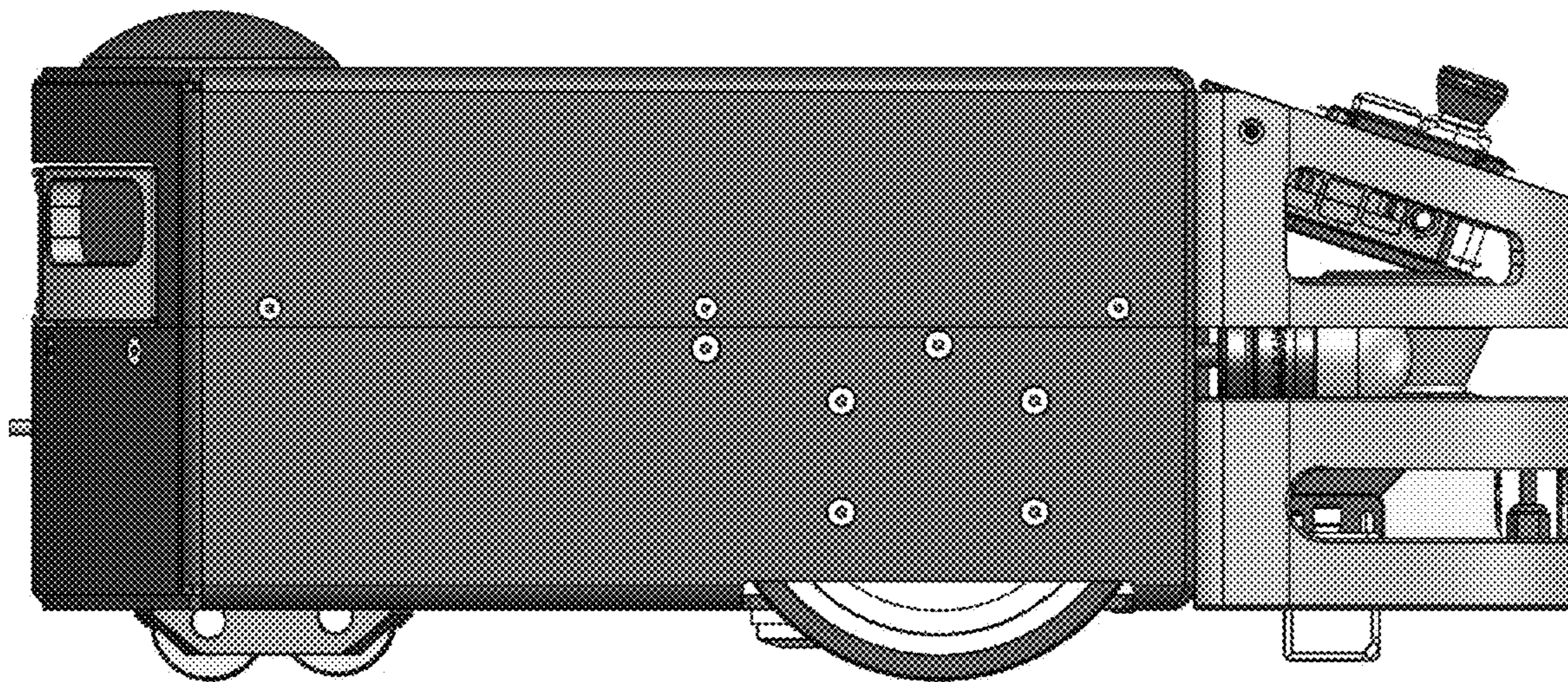
*FIG. 2*



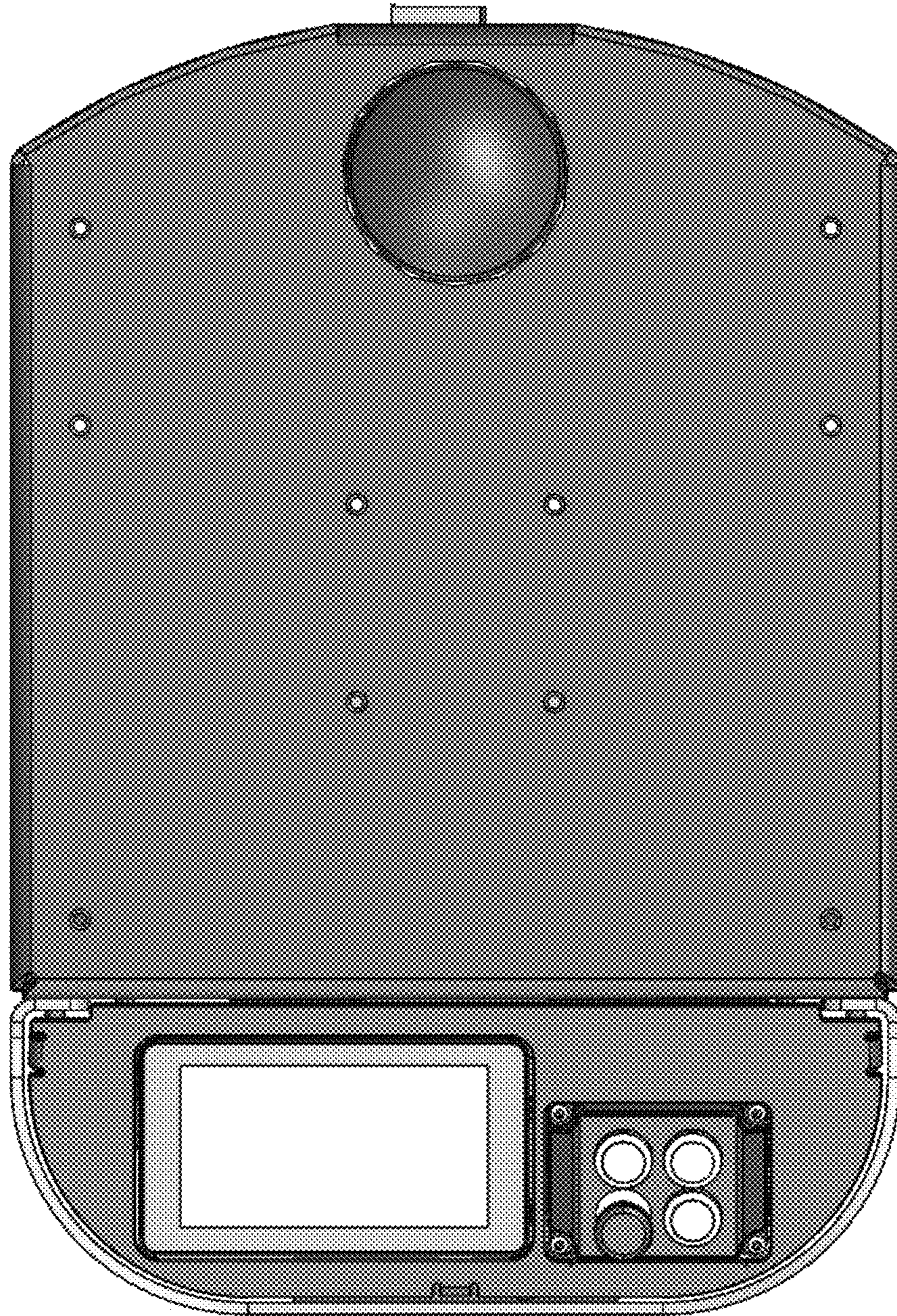
*FIG. 3*



*FIG. 4*



*FIG. 5*



*FIG. 6*