

US00D871474S

(12) **United States Design Patent**  
**Kolb**

(10) **Patent No.:** **US D871,474 S**

(45) **Date of Patent:** **\*\* Dec. 31, 2019**

- (54) **AUTOMATED GUIDED VEHICLE**
- (71) Applicant: **Safelog GmbH**, Kirchheim bei München (DE)
- (72) Inventor: **Maximilian Kolb**, Kirchheim bei München (DE)
- (73) Assignee: **Safelog GmbH**, Munich (DE)

D635,603 S *	4/2011	Paz Rodriguez	.....	D15/199
D701,256 S *	3/2014	Song	.....	D15/199
D725,166 S *	3/2015	Paik	.....	D15/199
D802,040 S *	11/2017	Canoso	.....	D15/199
D810,167 S *	2/2018	Yang	.....	D15/199
D810,800 S *	2/2018	Wang	.....	D15/199
D811,458 S *	2/2018	Wang	.....	D15/199
D813,284 S *	3/2018	Wei	.....	D15/199
D817,375 S *	5/2018	Deyle	.....	D15/199
D835,693 S *	12/2018	Lee	.....	D15/199
2007/0276541 A1 *	11/2007	Sawasaki	.....	G05D 1/0246 700/253
2010/0316468 A1 *	12/2010	Lert	.....	B65G 1/045 414/273

- (\*\*) Term: **15 Years**
- (21) Appl. No.: **29/614,280**
- (22) Filed: **Aug. 17, 2017**

(30) **Foreign Application Priority Data**

Feb. 17, 2017 (DE) ..... 40 2017 100 172

- (51) **LOC (12) Cl.** ..... **15-09**
- (52) **U.S. Cl.**  
USPC ..... **D15/199**
- (58) **Field of Classification Search**  
USPC ..... D6/338, 356; D15/199; D21/578-583,  
D21/621, 622  
CPC .... B60L 50/66; G05D 1/0242; G05D 1/0265;  
G05D 2201/0216; Y02T 10/705; Y02T  
10/7005  
See application file for complete search history.

(56) **References Cited**

**U.S. PATENT DOCUMENTS**

D549,756 S *	8/2007	Park	.....	D15/199
D579,035 S *	10/2008	Kim	.....	B25J 11/008 D15/199

\* cited by examiner

*Primary Examiner* — Patricia A Palasik

(74) *Attorney, Agent, or Firm* — Myers Wolin, LLC

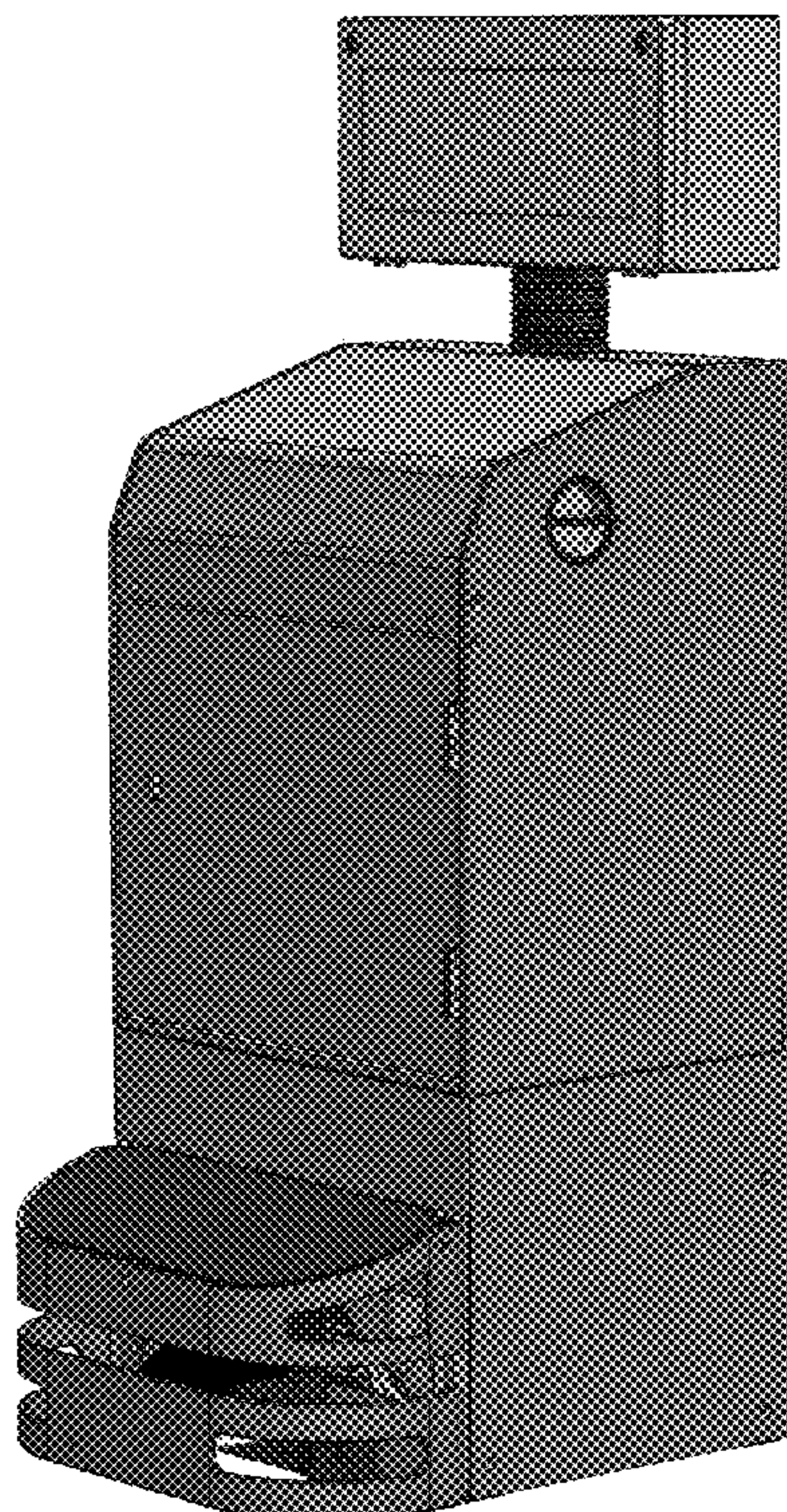
(57) **CLAIM**

The ornamental design for an automated guided vehicle, as shown and described.

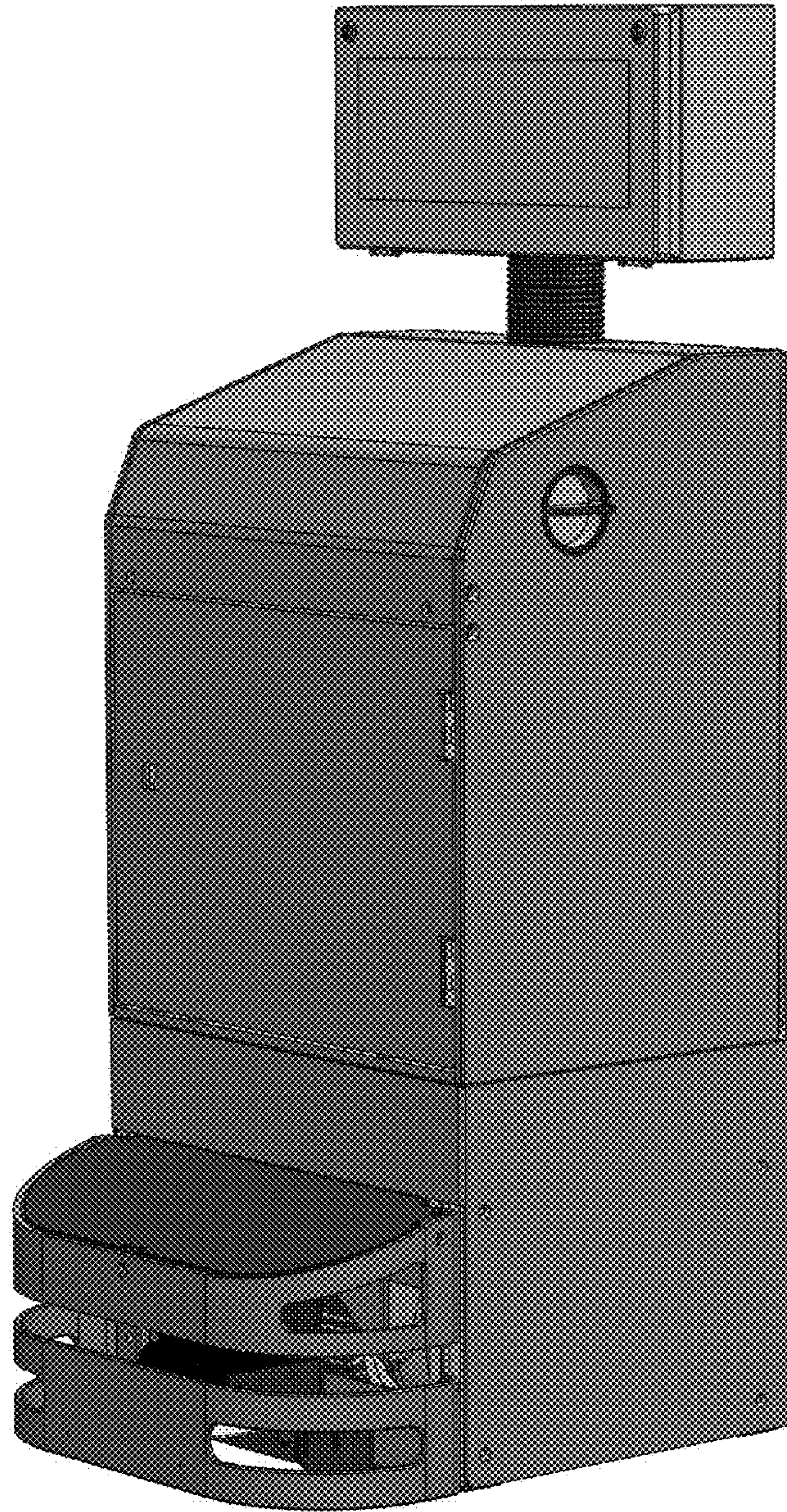
**DESCRIPTION**

FIG. 1 is a perspective view of an automated guided vehicle showing my new design;  
 FIG. 2 is a front elevational view thereof;  
 FIG. 3 is a rear elevational view thereof;  
 FIG. 4 is a left side elevational view thereof;  
 FIG. 5 is a right side elevational view thereof;  
 FIG. 6 is a top plan view thereof; and,  
 FIG. 7 is a bottom plan view thereof.

**1 Claim, 4 Drawing Sheets**

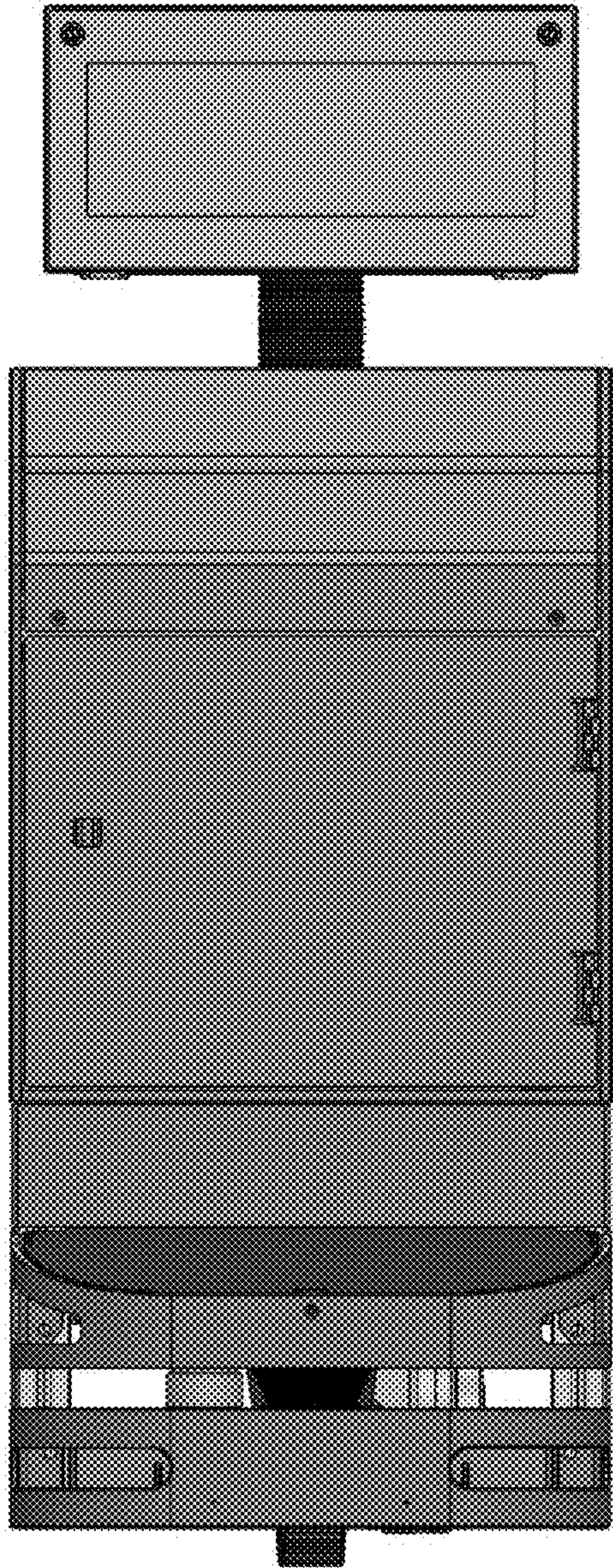




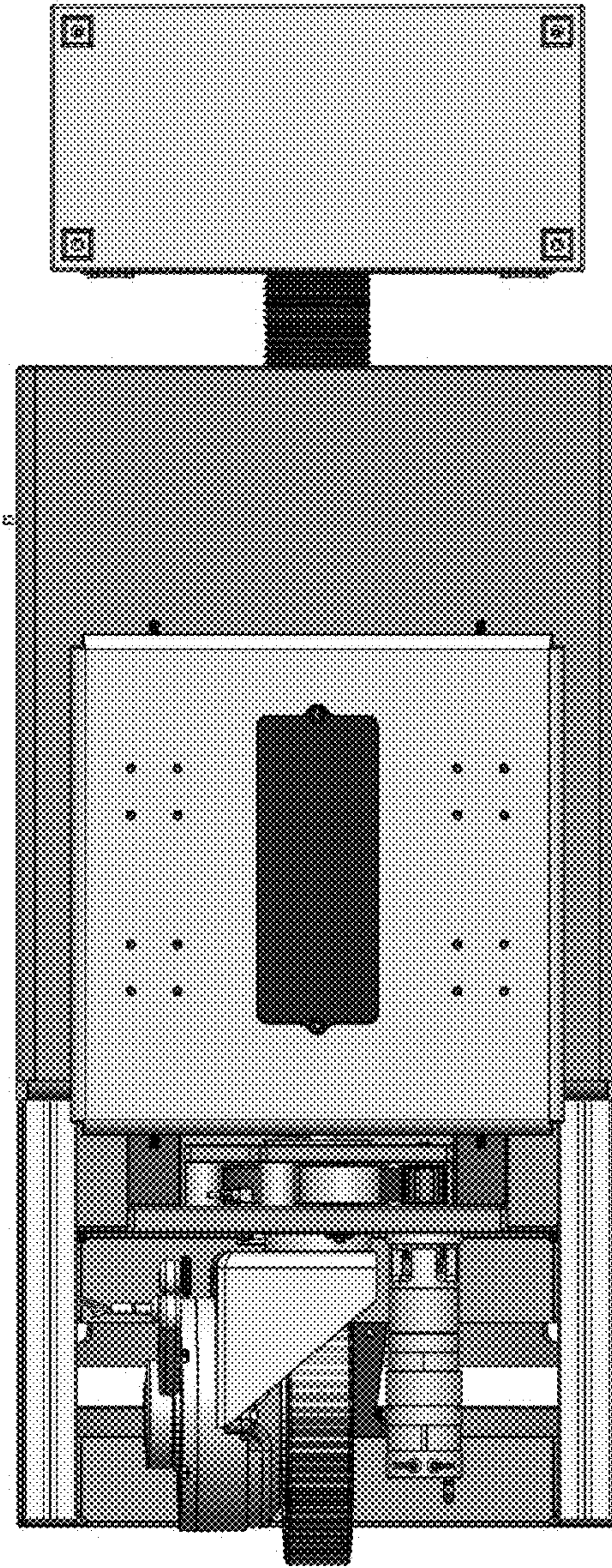


*FIG. 1*



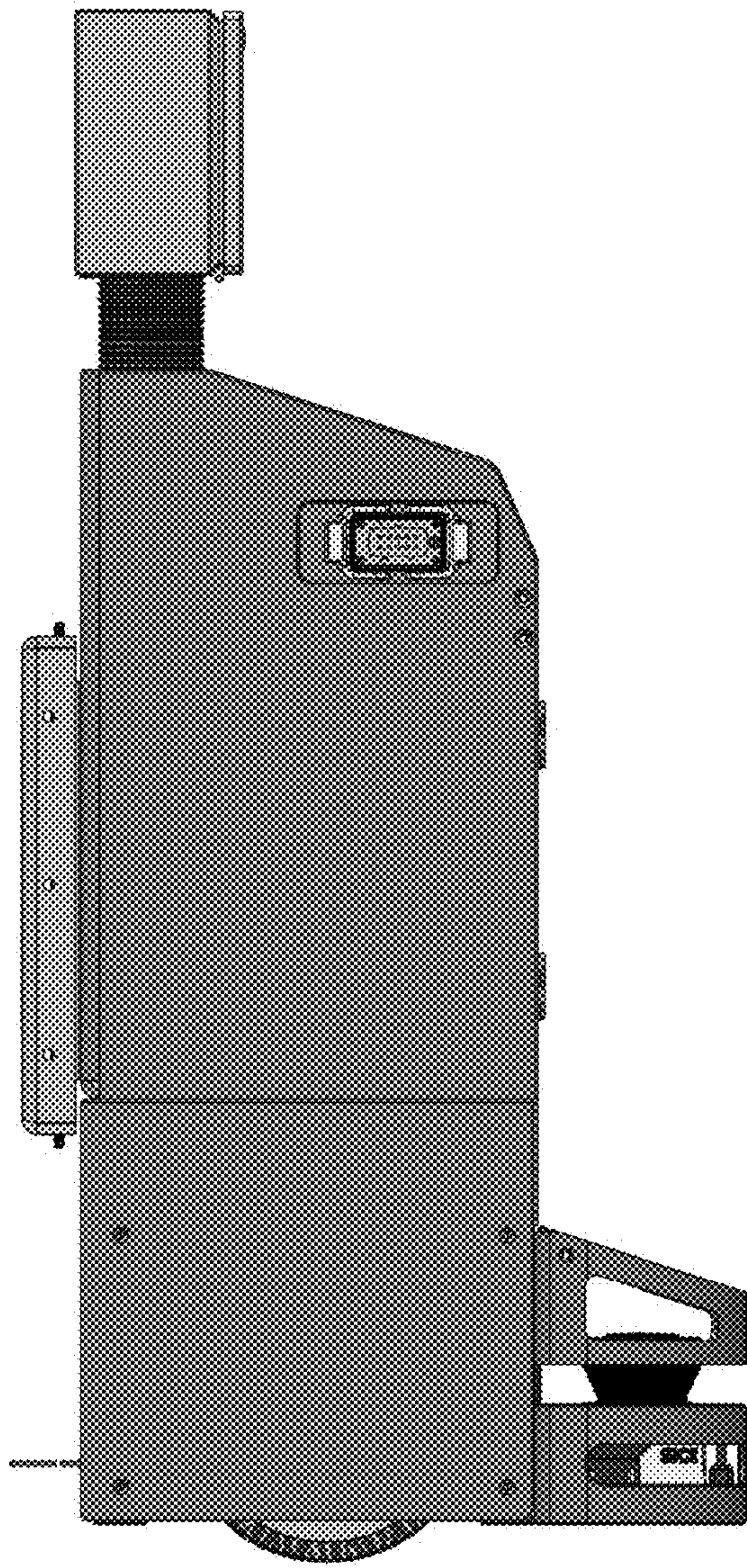


*FIG. 2*

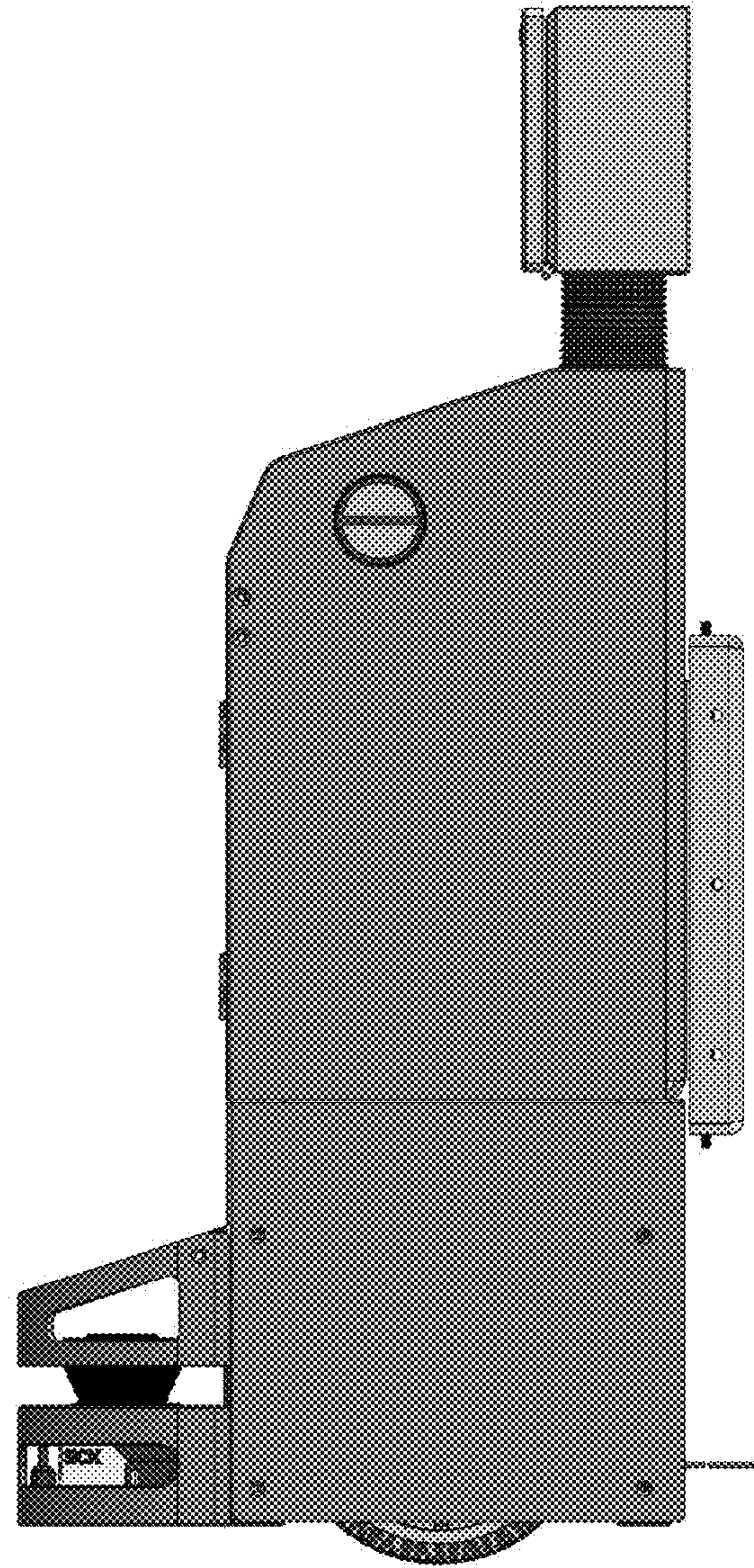


*FIG. 3*



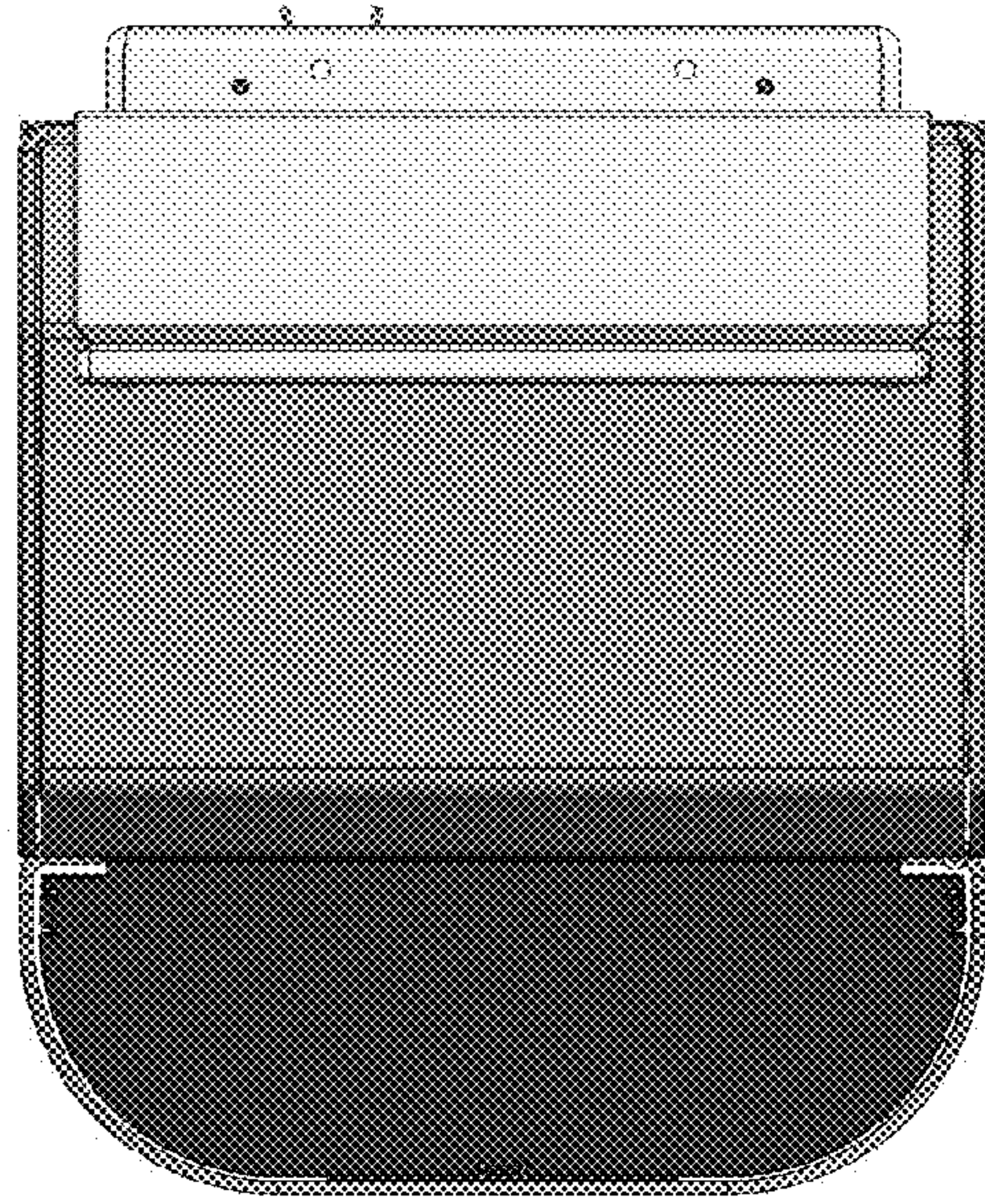


*FIG. 4*

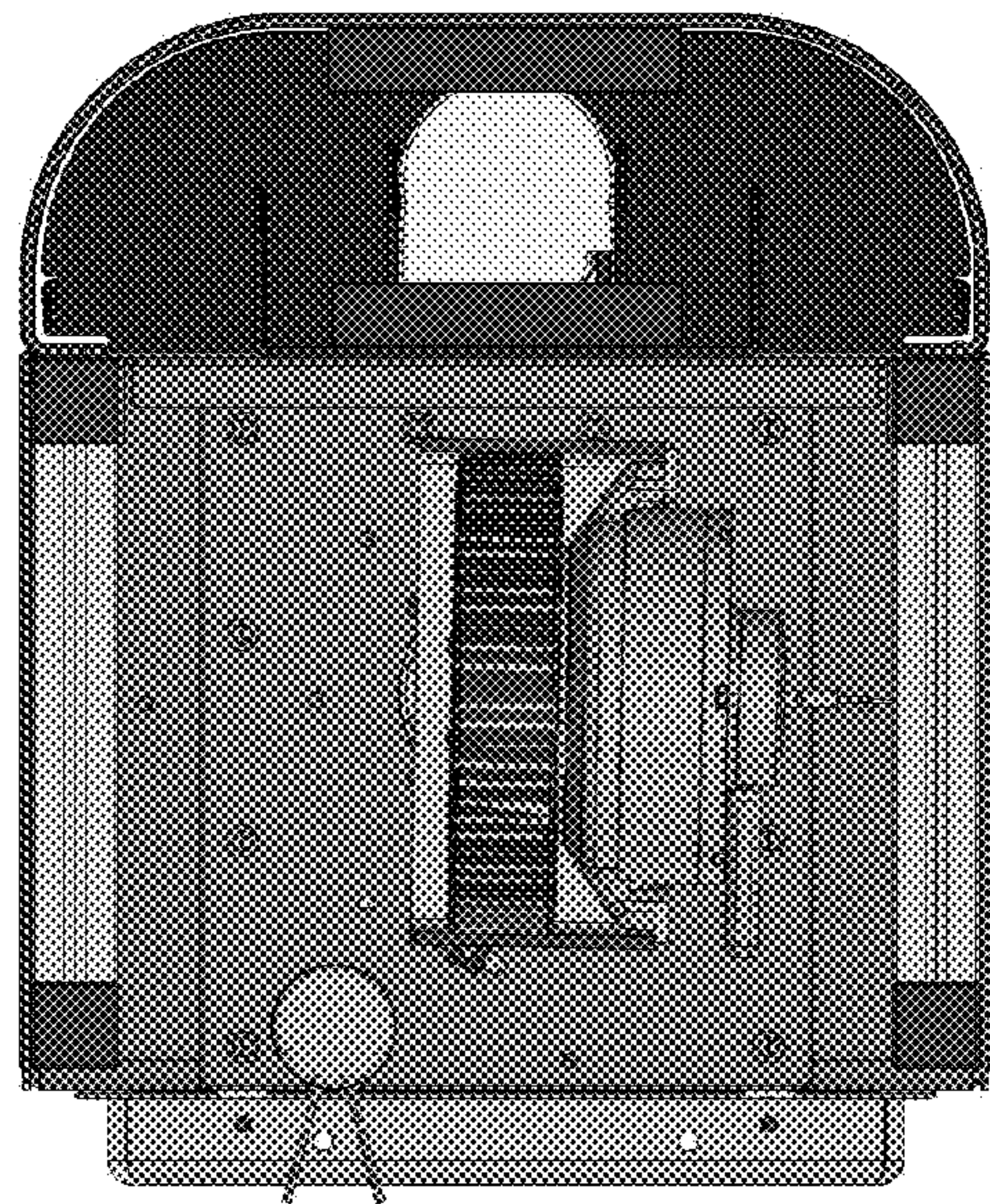


*FIG. 5*





*FIG. 6*



*FIG. 7*