



US00D871472S

(12) **United States Design Patent** (10) **Patent No.:** **US D871,472 S**  
**Preus et al.** (45) **Date of Patent:** **\*\* Dec. 31, 2019**

(54) **GARAGE DOOR OPENER** 4,731,605 A \* 3/1988 Nixon ..... B60R 11/02  
340/12.55  
(71) Applicant: **AC (Macao Commercial Offshore)** 4,905,542 A \* 3/1990 Burm ..... E05F 15/668  
**Limited, Macau (MO)** 104/120  
5,357,183 A \* 10/1994 Lin ..... E05F 15/43  
318/266

(72) Inventors: **Michael Preus**, Greenville, SC (US);  
**Parke Pleasants**, Anderson, SC (US);  
**J. Luke Jenkins**, Anderson, SC (US);  
**John Schaalje**, Williamson, SC (US);  
**Taku Ohi**, Greer, SC (US); **Steven**  
**Westover**, Anderson, SC (US); **C. Eric**  
**Lagman**, Anderson, SC (US)

(Continued)

**FOREIGN PATENT DOCUMENTS**

EP 1790814 5/2007  
WO 0193220 12/2001

(Continued)

*Primary Examiner* — Patricia A Palasik

(73) Assignee: **TTI (MACAO COMMERCIAL OFFSHORE) LIMITED**, Macau (MO)

(74) *Attorney, Agent, or Firm* — Michael Best & Friedrich LLP

(\*\*) Term: **15 Years**

(57) **CLAIM**

(21) Appl. No.: **29/560,842**

The ornamental design for a garage door opener, as shown and described.

(22) Filed: **Apr. 11, 2016**

**DESCRIPTION**

(51) **LOC (12) Cl.** ..... **15-09**

(52) **U.S. Cl.**  
USPC ..... **D15/199**; D13/168

(58) **Field of Classification Search**  
USPC ..... D13/168; D15/199  
CPC ..... E05F 13/04; E05F 15/63; E05F 15/668;  
E05Y 2900/106; G07C 2009/00793;  
G07C 2009/00928; G07C 2009/00984;  
G07C 9/00944

See application file for complete search history.

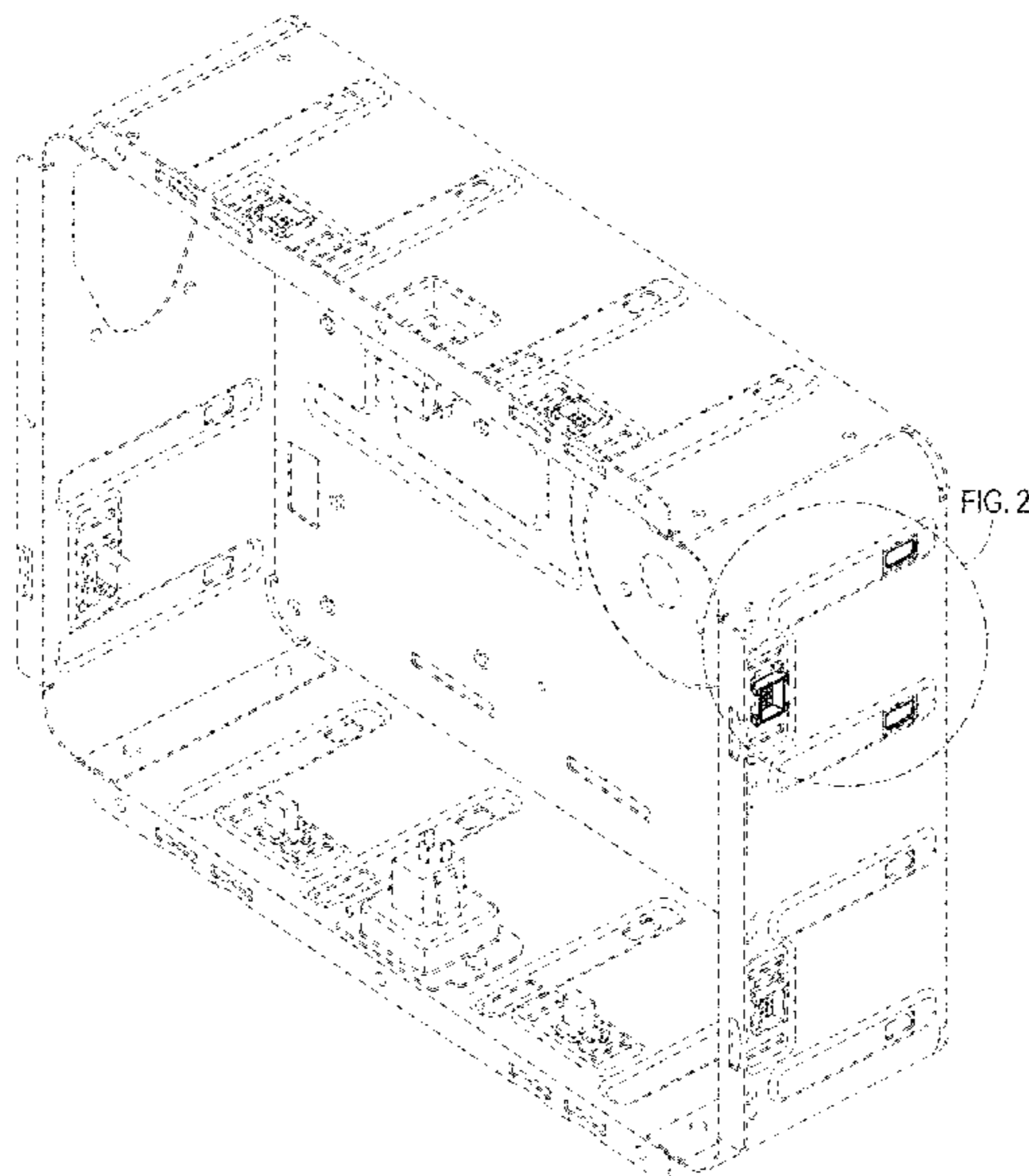
FIG. 1 is a perspective view of a garage door opener.  
FIG. 2 is an enlarged view of circle 2 as shown in FIG. 1.  
FIG. 3 is a top view of the garage door opener of FIG. 1.  
FIG. 4 is a first side view of the garage door opener of FIG. 1.  
FIG. 5 is a second side view of the garage door opener of FIG. 1.  
FIG. 6 is a front view of the garage door opener of FIG. 1; and,  
FIG. 7 is an enlarged view of circle 7 as shown in FIG. 6.  
The portions of the garage door opener shown in broken lines are included for the purpose of illustrating portions of the garage door opener which form no part of the claimed design. The portions of the garage door opener shown in broken lines having dash dot dash segments illustrate the boundary of the claimed design and form no part of the claimed design.

(56) **References Cited**

**U.S. PATENT DOCUMENTS**

D221,226 S \* 7/1971 Dercoli ..... D13/112  
D221,859 S \* 9/1971 Dercoli ..... D13/112  
3,764,874 A \* 10/1973 Geoffrey ..... E05F 15/41  
318/266  
4,064,404 A 12/1977 Willmott et al.  
4,538,661 A 9/1985 Henry et al.

**1 Claim, 6 Drawing Sheets**



(56)

References Cited

U.S. PATENT DOCUMENTS

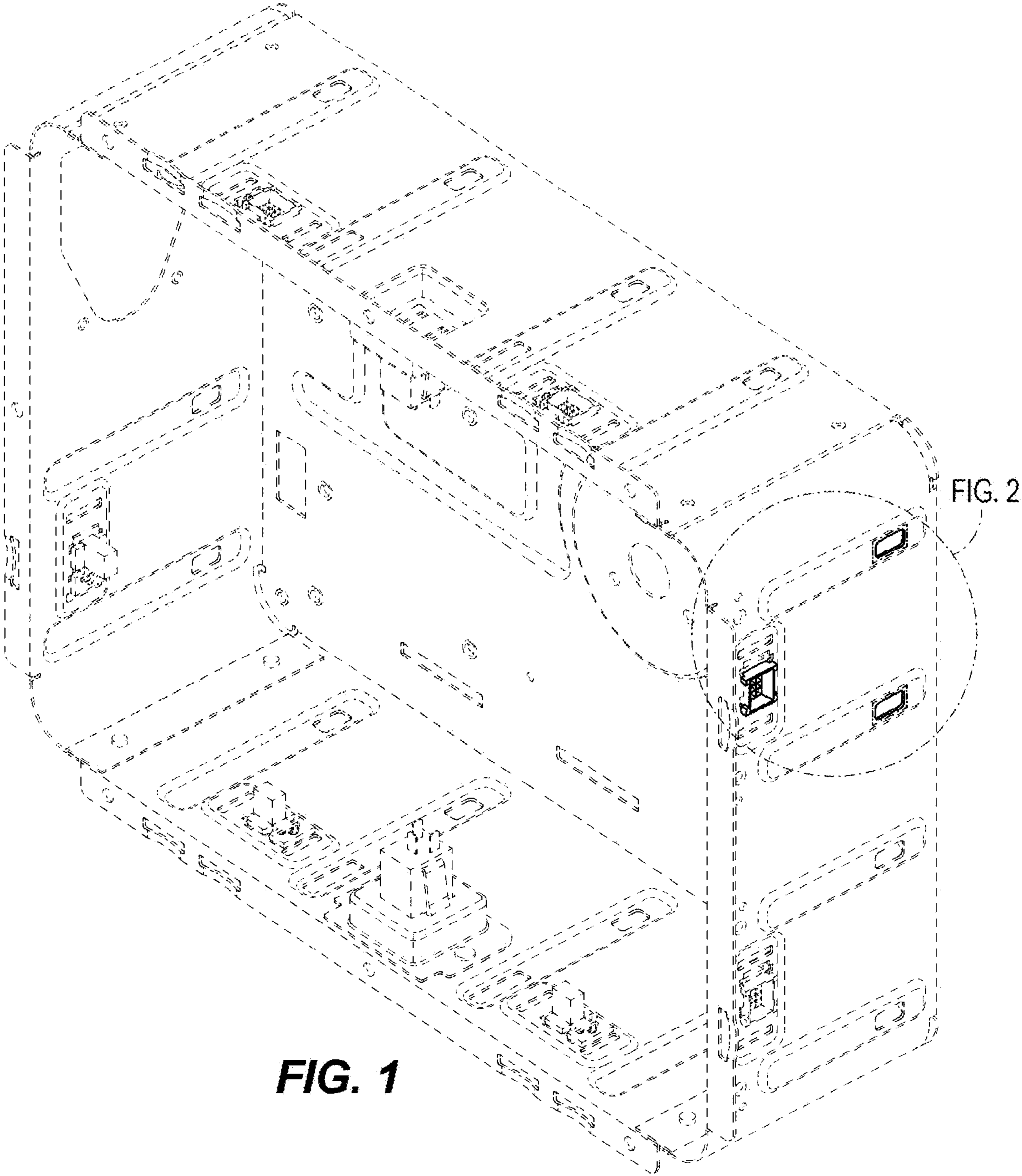
5,522,638 A \* 6/1996 Falcoff ..... B60R 7/04  
224/282  
5,589,747 A 12/1996 Utke  
D402,300 S \* 12/1998 Doppelt ..... D15/199  
5,872,513 A \* 2/1999 Fitzgibbon ..... E05B 43/005  
235/382  
5,887,929 A \* 3/1999 Miller ..... B60R 7/04  
296/37.7  
D413,579 S \* 9/1999 Mullet ..... D13/168  
D413,867 S \* 9/1999 Mullet ..... D13/162  
6,002,346 A 12/1999 Bowden et al.  
6,027,148 A 2/2000 Shoemaker  
6,089,626 A 7/2000 Shoemaker  
6,124,822 A 9/2000 Wu  
6,191,706 B1 2/2001 Kositkun  
6,218,962 B1 4/2001 Fiene  
6,310,548 B1 10/2001 Stephens, Jr. et al.  
6,469,464 B1 10/2002 McCall  
D473,574 S \* 4/2003 Mullet ..... D15/199  
D474,215 S \* 5/2003 Mullet ..... D15/199  
D478,605 S \* 8/2003 Guzman ..... D13/168  
6,683,431 B2 1/2004 Fitzgibbon et al.  
D486,506 S \* 2/2004 Bian ..... D15/148  
D492,333 S \* 6/2004 Guzman ..... D15/148  
6,911,898 B2 6/2005 Chung  
6,946,973 B1 9/2005 Yanda  
6,975,203 B2 12/2005 Brookbank et al.  
6,989,760 B2 1/2006 Dierking et al.  
7,057,547 B2 6/2006 Olmsted et al.  
7,098,411 B1 \* 8/2006 McConnell ..... H01H 13/83  
200/310  
7,145,470 B2 12/2006 Hoermann  
7,194,412 B2 3/2007 Mays

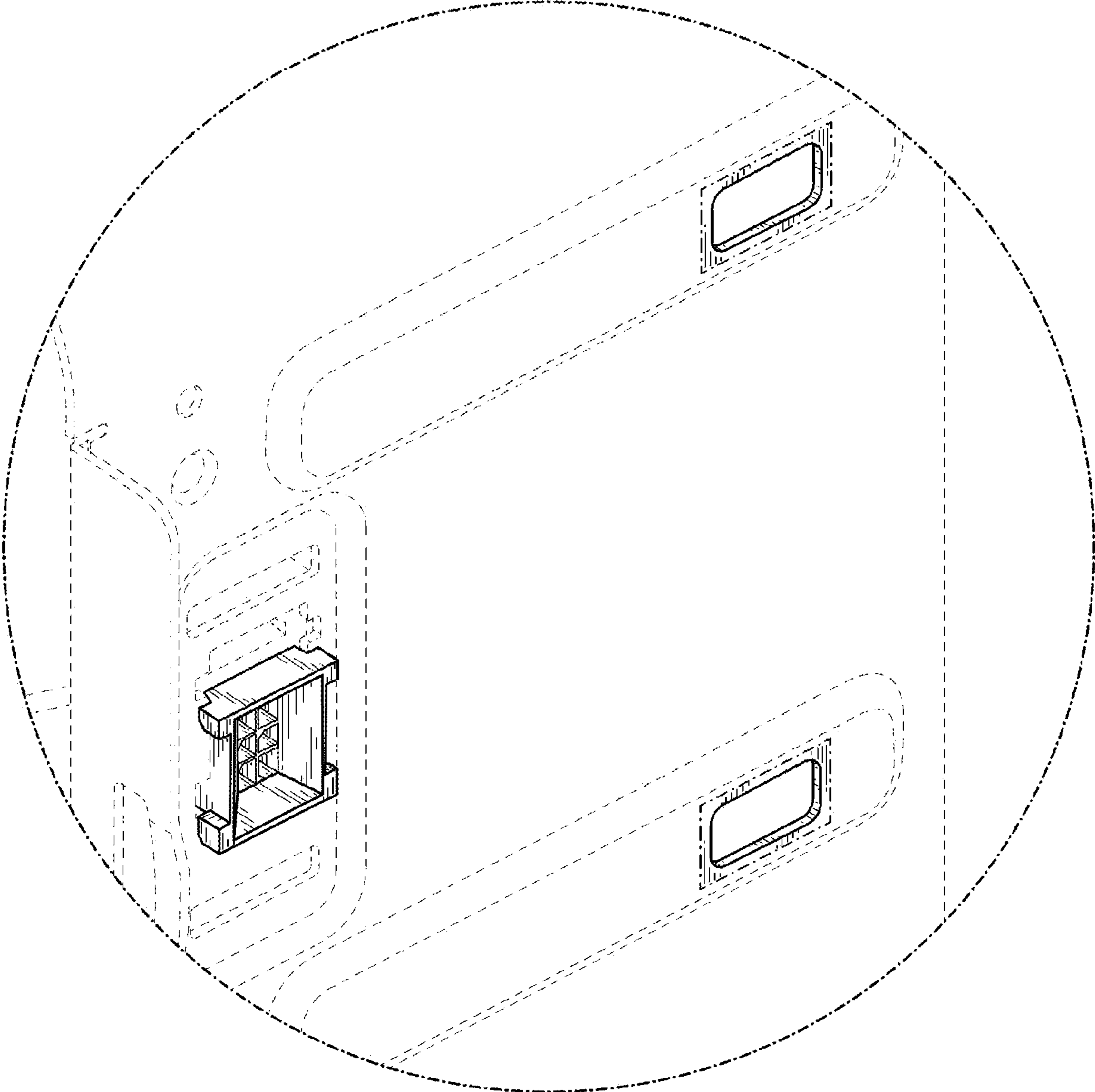
7,265,508 B1 9/2007 Karasek et al.  
7,683,794 B2 3/2010 Contreras  
7,688,014 B2 3/2010 Tang et al.  
7,996,231 B2 8/2011 Mays  
8,077,054 B1 12/2011 Aarons  
8,330,570 B2 12/2012 Martin  
8,330,573 B2 12/2012 Cruce  
8,542,093 B2 9/2013 Rodriguez et al.  
8,766,768 B2 7/2014 Martin  
8,786,435 B2 7/2014 Barnett et al.  
8,810,433 B1 8/2014 Aarons  
8,866,583 B2 10/2014 Ordaz  
2002/0140576 A1 10/2002 Simon  
2002/0164158 A1 \* 11/2002 Hoermann ..... G07C 9/00944  
388/835  
2003/0160705 A1 8/2003 Guetz  
2007/0235149 A1 10/2007 Hillar et al.  
2008/0079570 A1 4/2008 Fineman et al.  
2009/0313898 A1 12/2009 Manaras  
2010/0058669 A1 3/2010 Cole  
2011/0199234 A1 8/2011 Butler, III et al.  
2013/0081329 A1 4/2013 French et al.  
2014/0007505 A1 1/2014 Manaras  
2014/0259927 A1 9/2014 McNally, II  
2015/0013229 A1 \* 1/2015 Shalom ..... E05F 15/668  
49/199  
2016/0037664 A1 \* 2/2016 Hendricks ..... G07C 9/00182  
361/814  
2017/0294113 A1 \* 10/2017 McNabb ..... G08C 17/02

FOREIGN PATENT DOCUMENTS

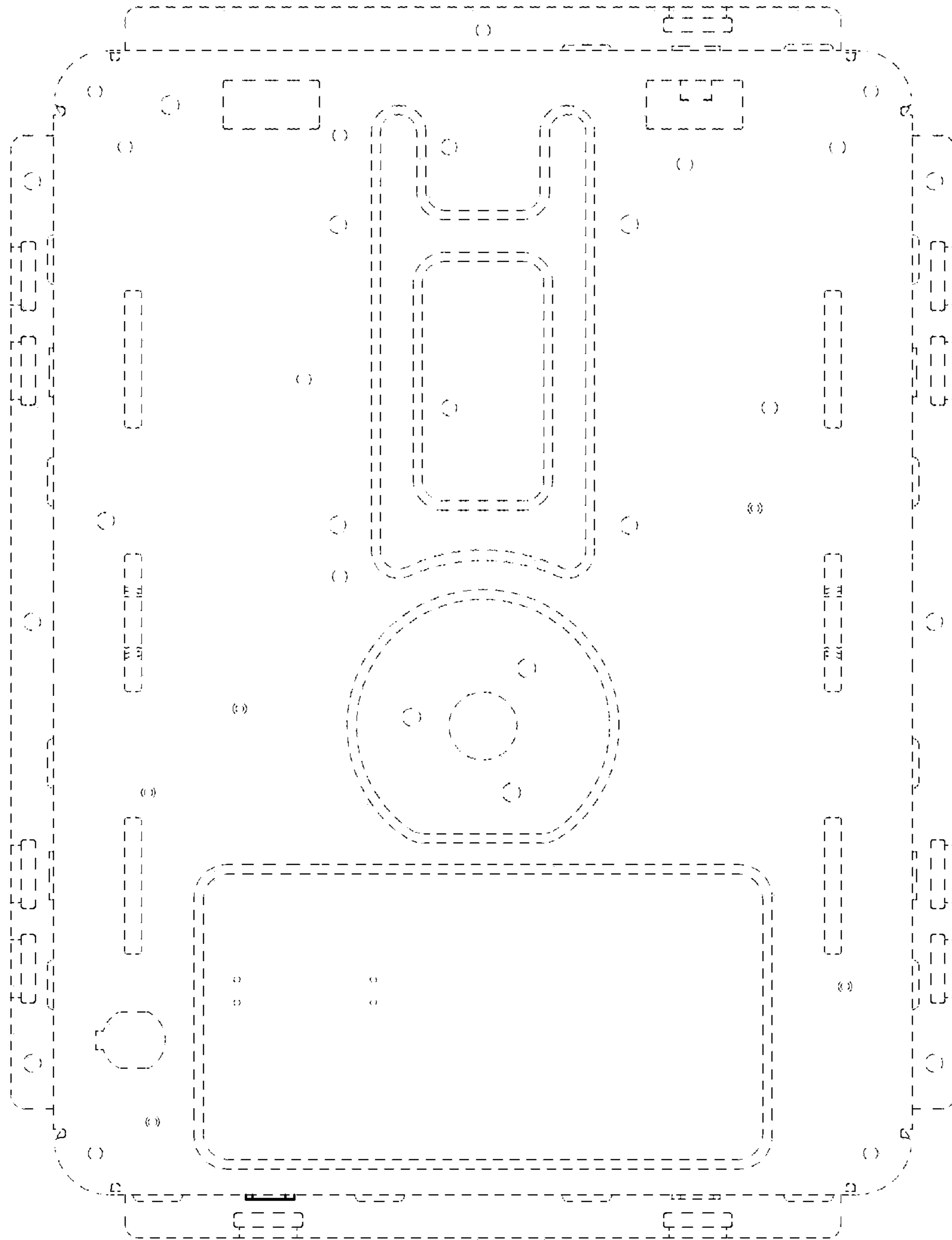
WO 2007047720 4/2007  
WO 2012171756 12/2012

\* cited by examiner

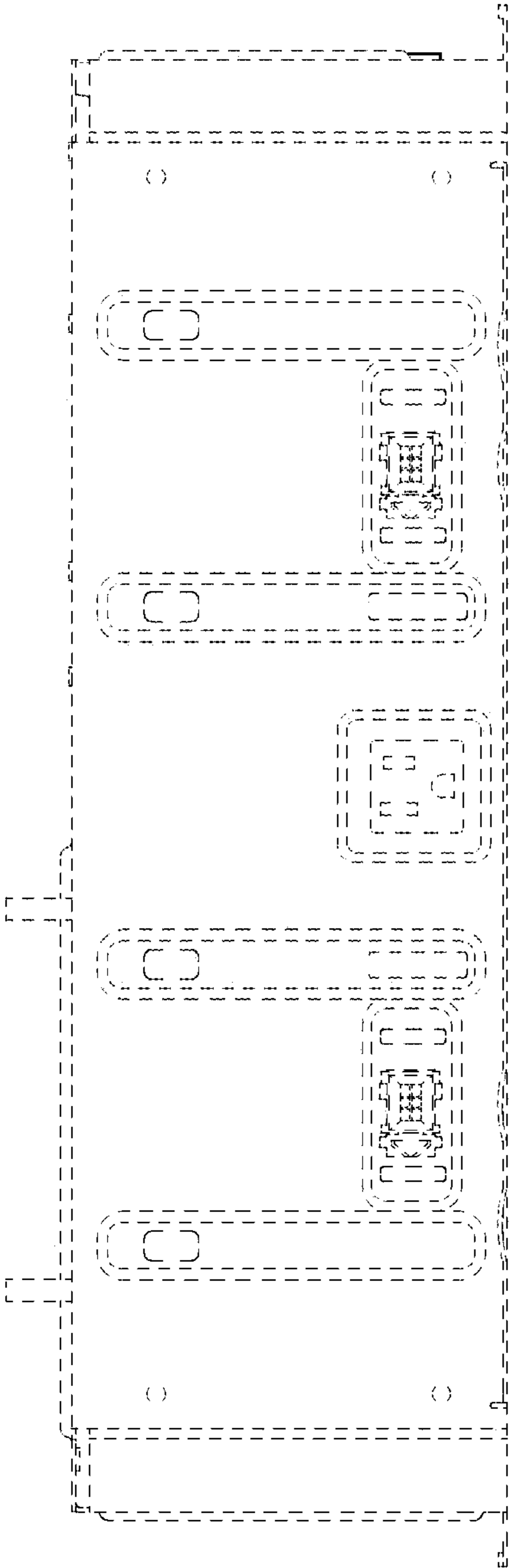




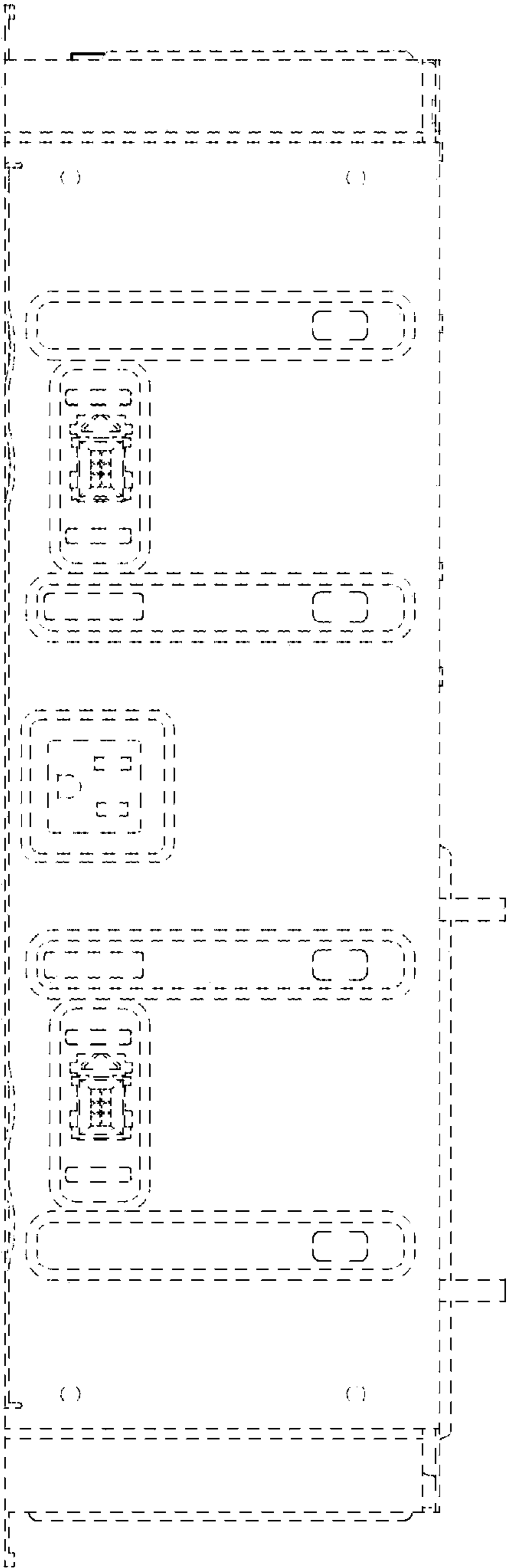
**FIG. 2**



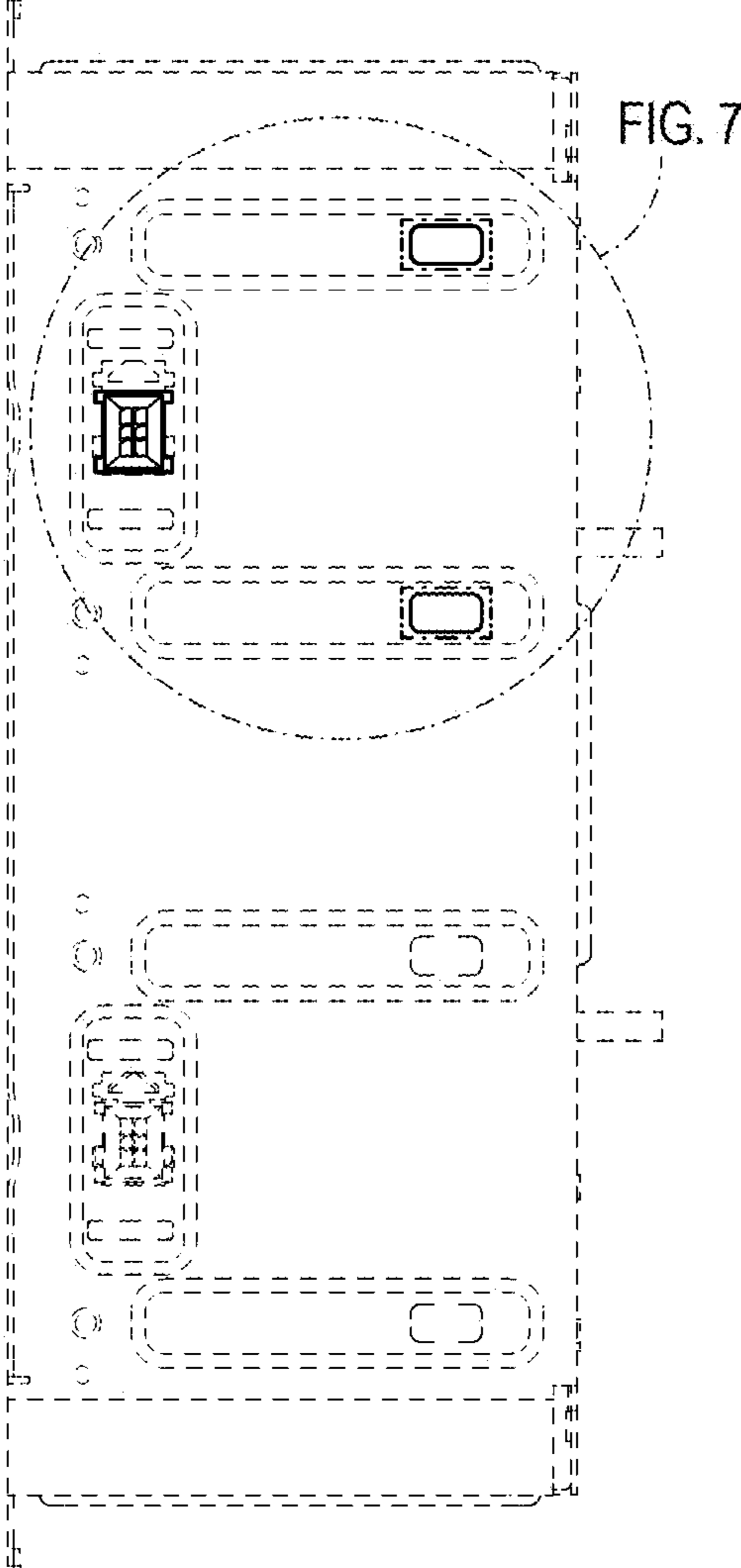
**FIG. 3**



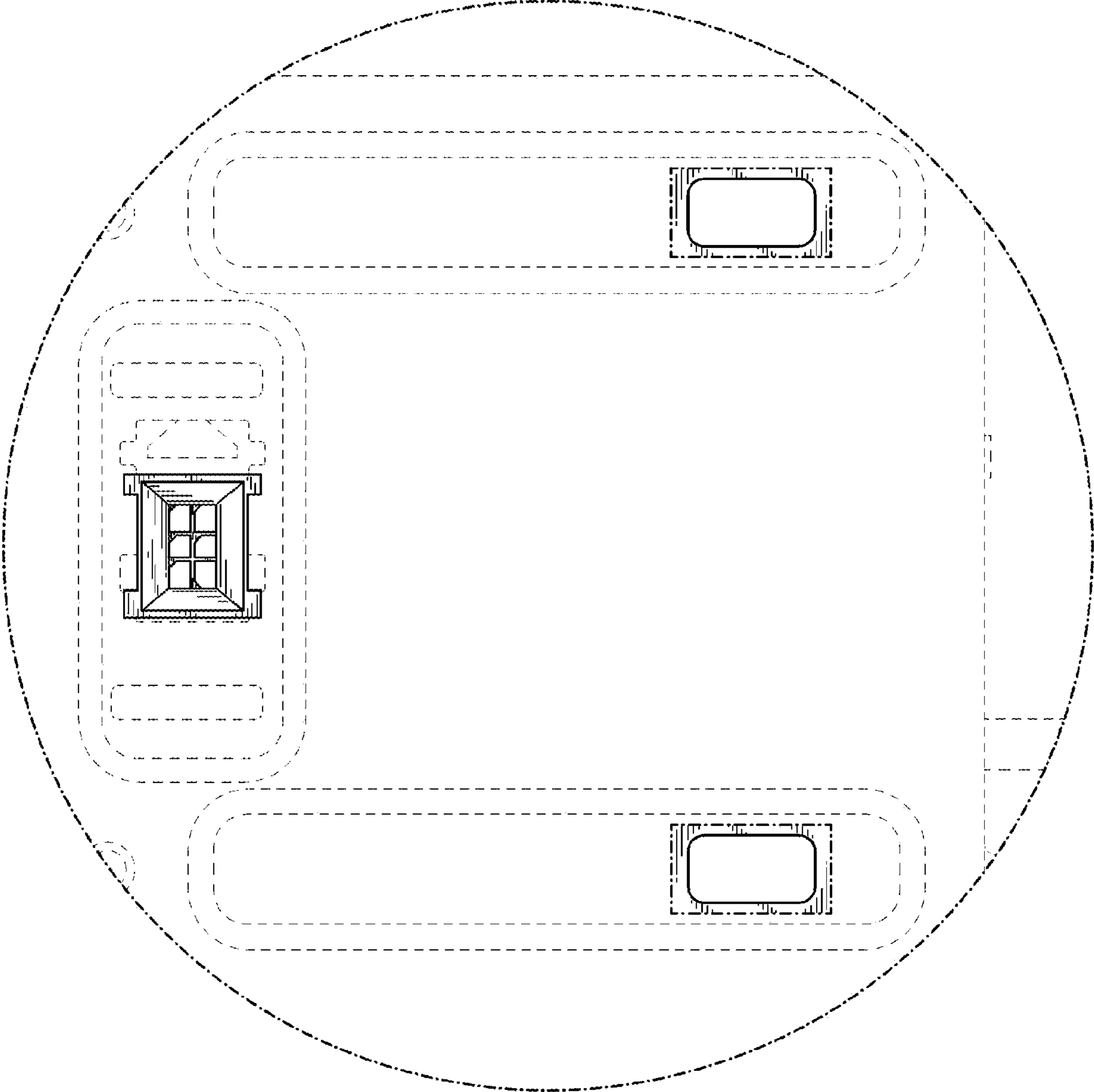
**FIG. 4**



**FIG. 5**



**FIG. 6**



**FIG. 7**