



US00D871471S

(12) **United States Design Patent**
Kiefel

(10) **Patent No.:** **US D871,471 S**

(45) **Date of Patent:** **** Dec. 31, 2019**

(54) **ACTUATOR**

(71) Applicant: **EMG Automation GmbH**, Wenden (DE)

(72) Inventor: **Achim Kiefel**, Derschen (DE)

(73) Assignee: **EMG AUTOMATION GMBH**, Wenden (DE)

(**) Term: **15 Years**

(21) Appl. No.: **29/658,220**

(22) Filed: **Jul. 30, 2018**

(30) **Foreign Application Priority Data**

Jan. 31, 2018 (EM) 004687481-0001

(51) **LOC (12) Cl.** **15-09**

(52) **U.S. Cl.**
USPC **D15/148**

(58) **Field of Classification Search**
USPC D12/345; D13/118, 158, 162, 184;
D15/1-5, 7, 9, 143, 148, 149, 199
CPC B66F 3/18; F16H 19/04; F16H 57/039;
H01F 7/066
See application file for complete search history.

(56) **References Cited**

U.S. PATENT DOCUMENTS

D333,666 S	*	3/1993	Kawashima	D15/142
D379,468 S	*	5/1997	Nagai	D15/149
D399,491 S	*	10/1998	Nagai	D13/158
D399,830 S	*	10/1998	Nagai	D13/158
D412,714 S	*	8/1999	Nagai	D15/149
D413,129 S	*	8/1999	Nagai	D15/199
D417,457 S	*	12/1999	Asahara	D15/7
D441,768 S	*	5/2001	Nagai	D15/7
D456,826 S	*	5/2002	Nagai	D15/143
D554,164 S	*	10/2007	Naruse	D15/143

D578,147 S	*	10/2008	Fukano	D15/143
D587,733 S	*	3/2009	Niedermeyer	D15/143
D589,459 S	*	3/2009	Iida	D13/158
D610,655 S	*	2/2010	Schmidt	D23/249
D624,099 S	*	9/2010	Fukano	D13/158
D624,572 S	*	9/2010	Fukano	D13/158
D624,947 S	*	10/2010	Christensen	D15/143
D625,745 S	*	10/2010	Chiang	D15/143
D636,798 S	*	4/2011	Fukano	D15/143
D636,799 S	*	4/2011	Fukano	D15/143
D650,401 S	*	12/2011	Fukano	D15/143
D655,200 S	*	3/2012	Gross	B65D 83/56 D9/687
D656,169 S	*	3/2012	Fukano	D15/143
D660,334 S	*	5/2012	Takeuchi	D15/143
D664,169 S	*	7/2012	Shirai	D15/143
D686,257 S	*	7/2013	Wu	D15/143
D702,271 S	*	4/2014	Lin	D15/143
D703,714 S	*	4/2014	Kim	D15/143
D704,238 S	*	5/2014	Fukano	D15/143
D744,559 S	*	12/2015	Nakayama	D15/143
D765,749 S	*	9/2016	Wu	D15/143

(Continued)

Primary Examiner — Patricia A Palasik

(74) *Attorney, Agent, or Firm* — Horst M. Kasper, Esq.

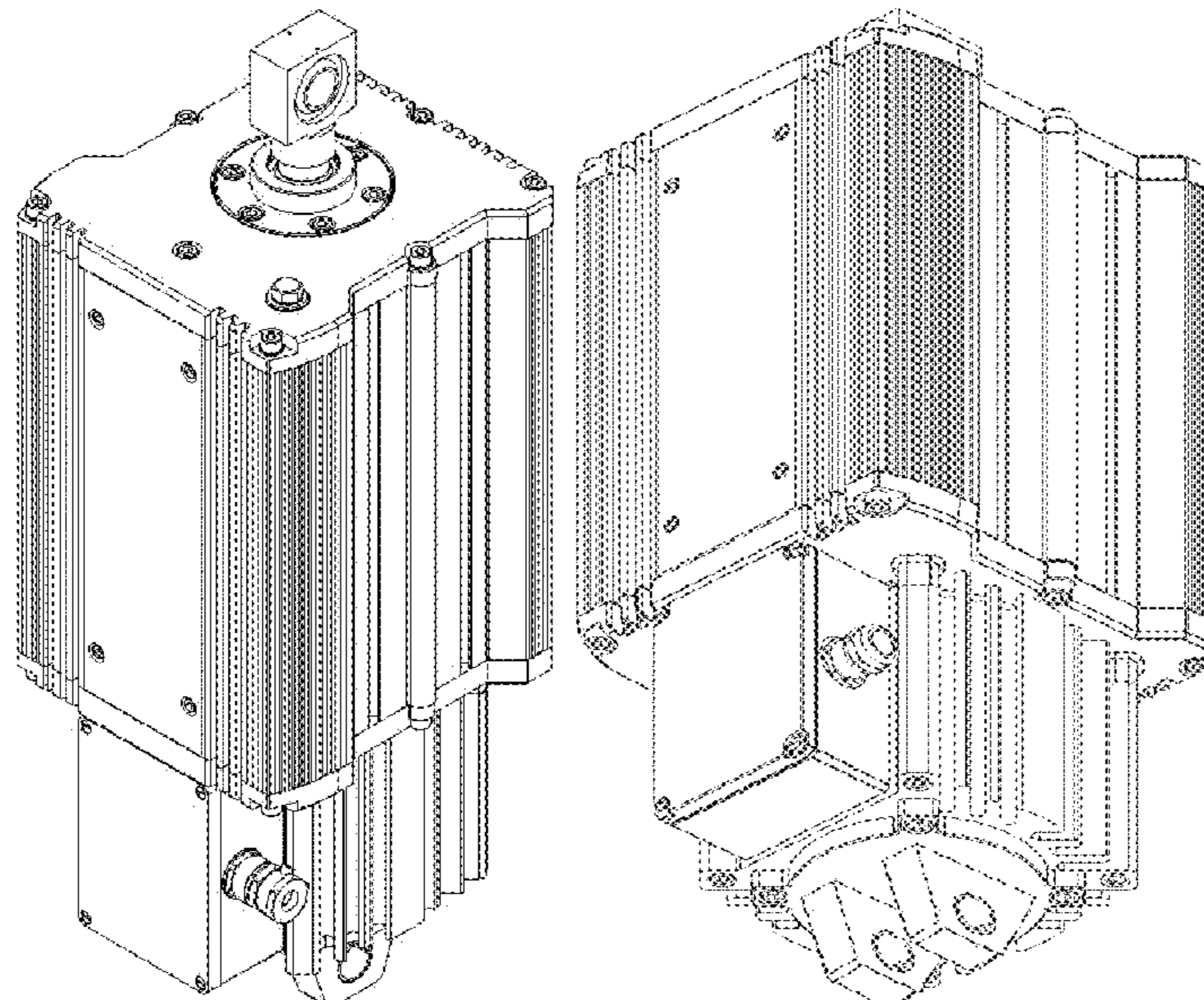
(57) **CLAIM**

The ornamental design for an actuator, as shown and described.

DESCRIPTION

FIG. 1 is a right side elevational view of the actuator showing my new design;
FIG. 2 is a front elevational view thereof;
FIG. 3 is a rear elevational view thereof;
FIG. 4 is a left side elevational view thereof;
FIG. 5 is a bottom plan view thereof;
FIG. 6 is a top plan view thereof;
FIG. 7 is a front perspective thereof; and,
FIG. 8 is a front bottom perspective thereof.

1 Claim, 8 Drawing Sheets



(56)

References Cited

U.S. PATENT DOCUMENTS

D767,656 S * 9/2016 Wu D15/143
D792,916 S * 7/2017 Kobayashi D15/148
9,810,247 B2 * 11/2017 Tabuchi F15B 15/065
D839,937 S * 2/2019 Zhuang D15/143
2006/0279140 A1 * 12/2006 Jenny H02K 41/02
310/12.19

* cited by examiner

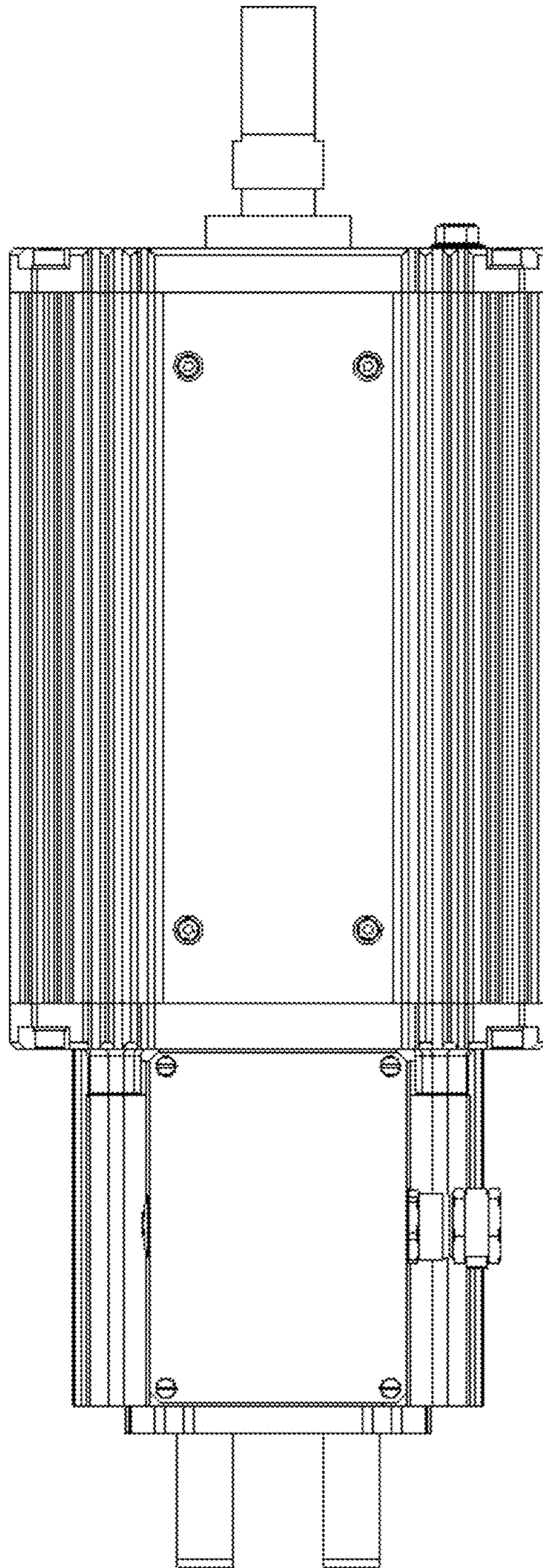


FIG. 1

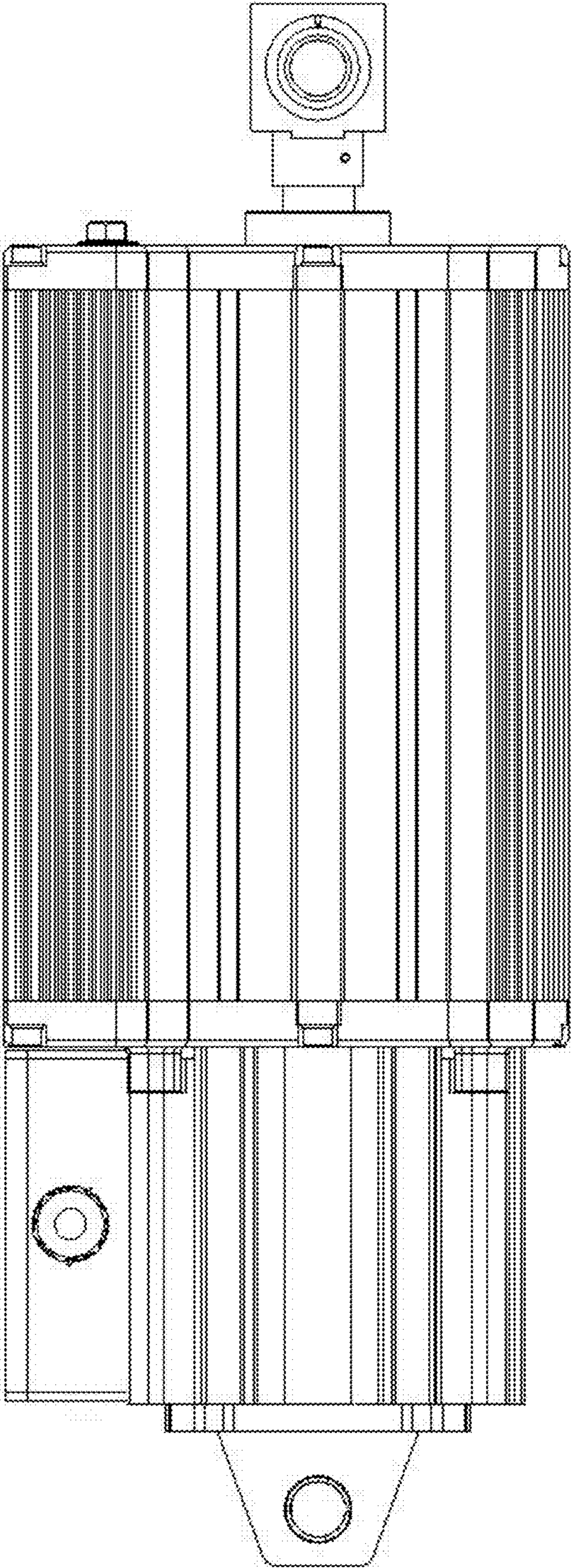


FIG. 2

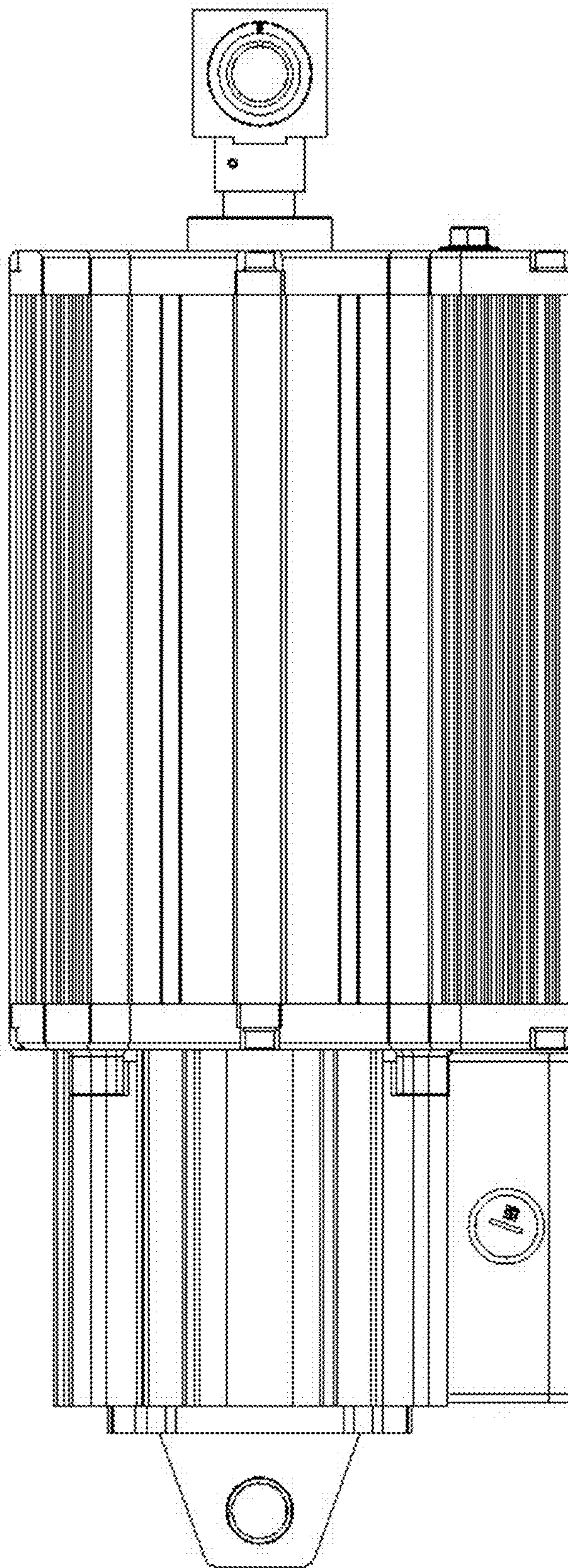


FIG. 3

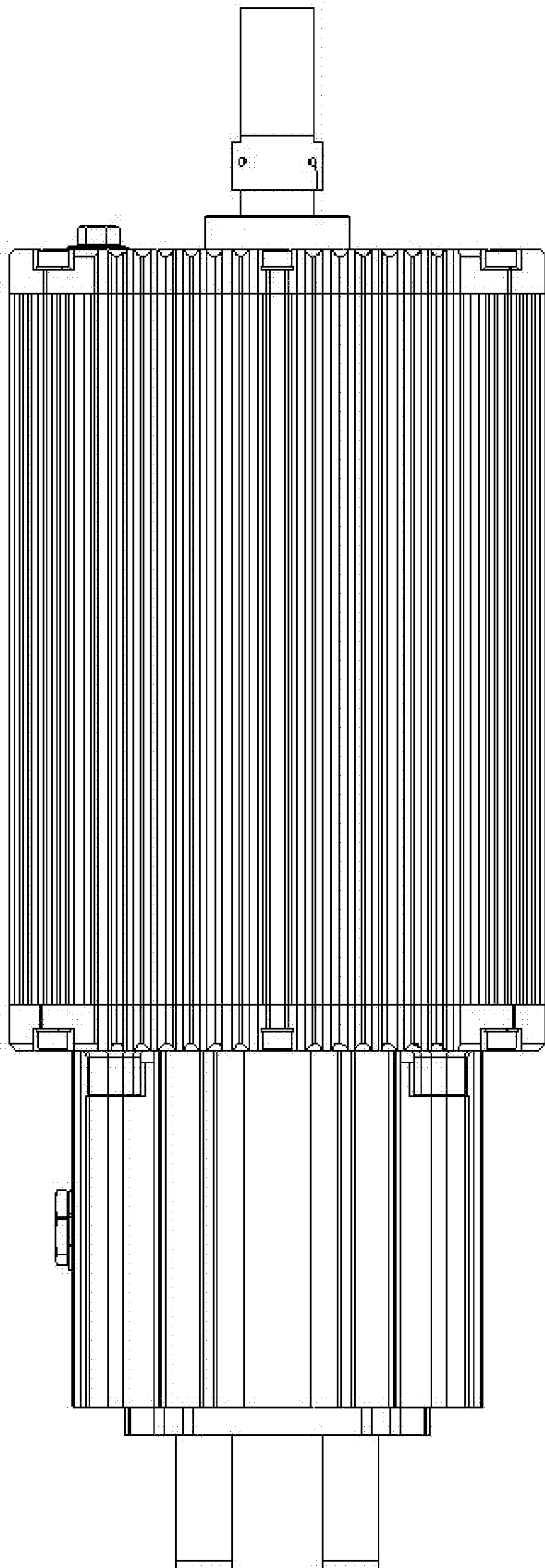


FIG.4

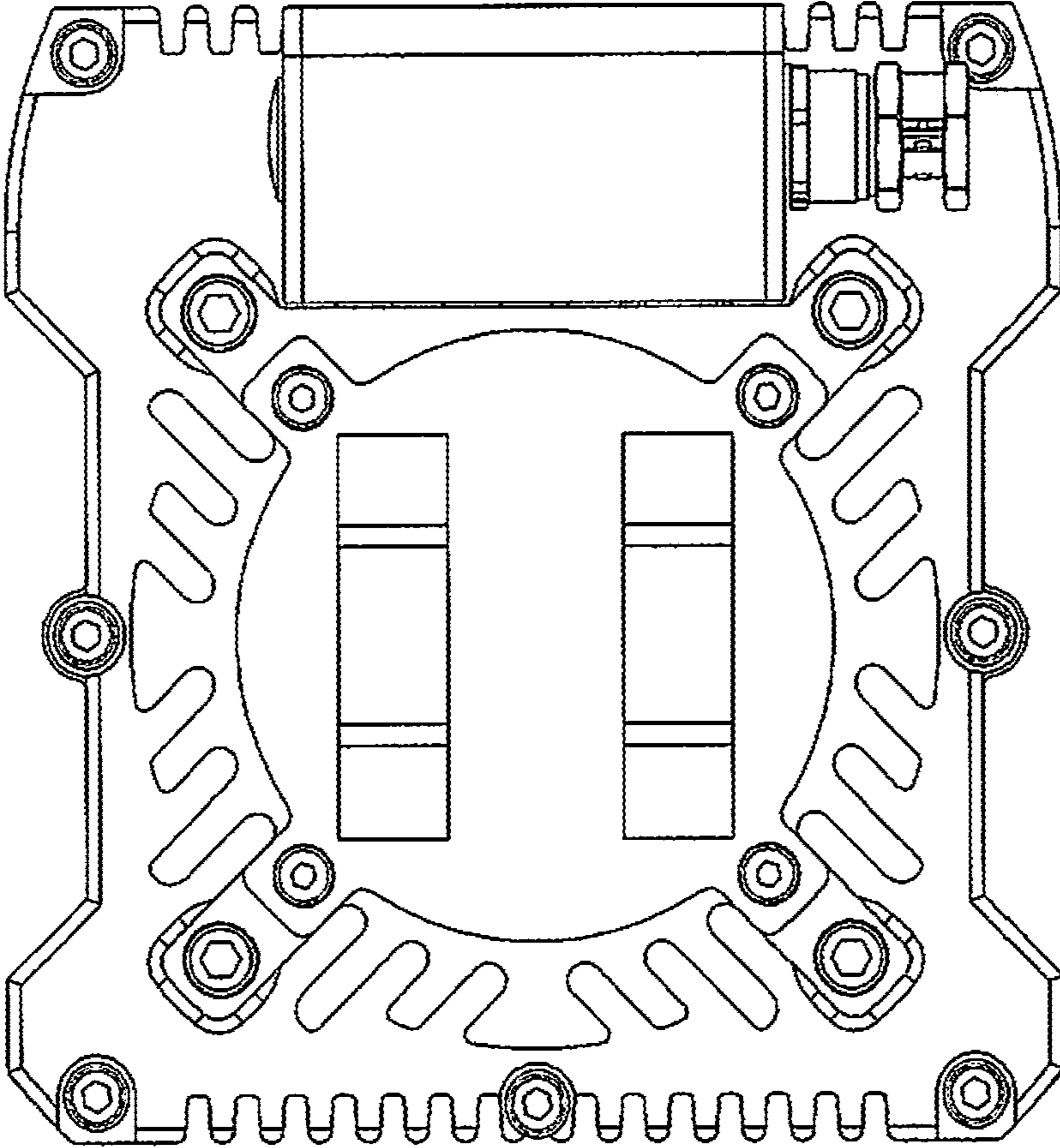


FIG. 5

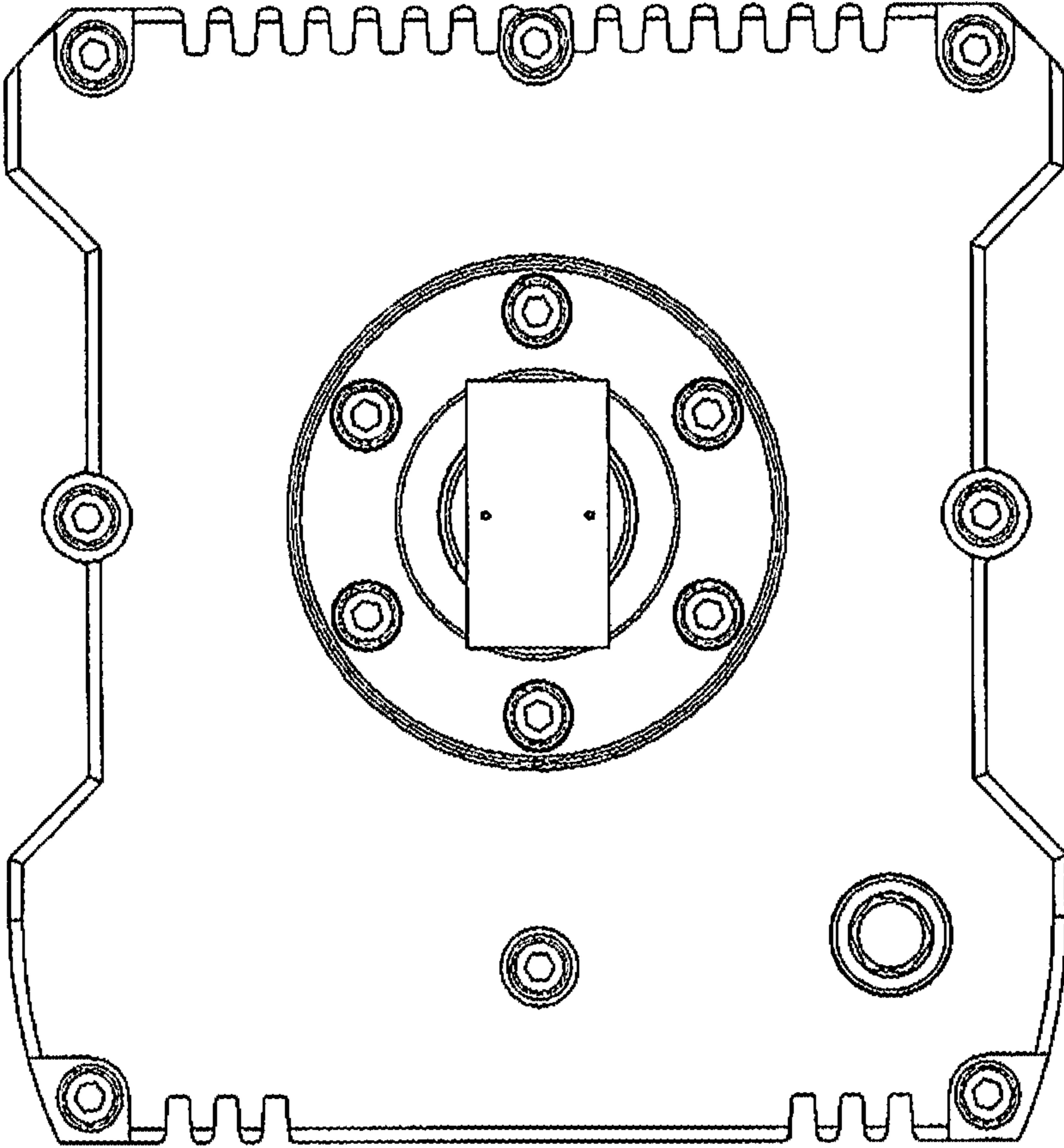


FIG. 6

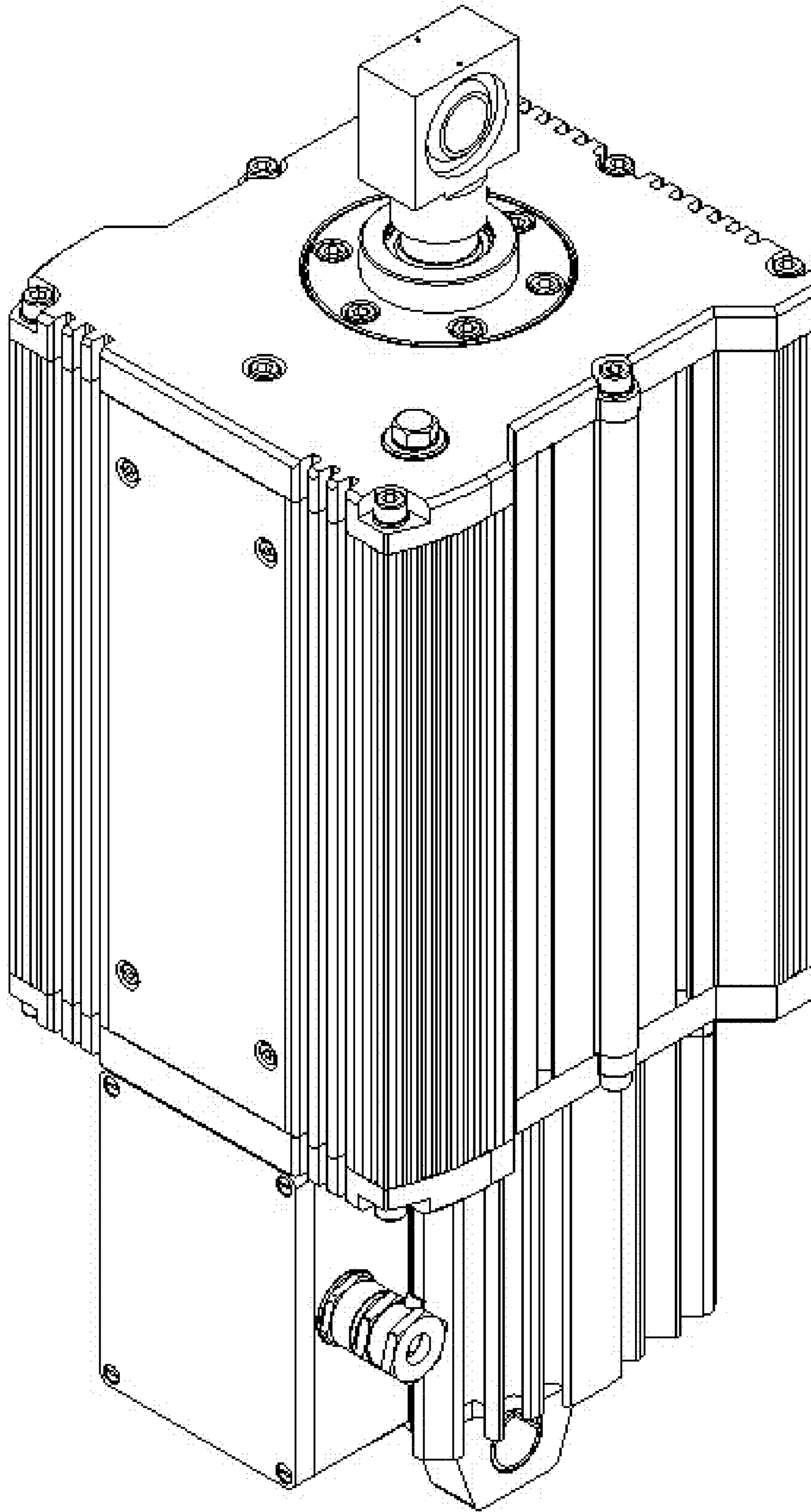


FIG. 7

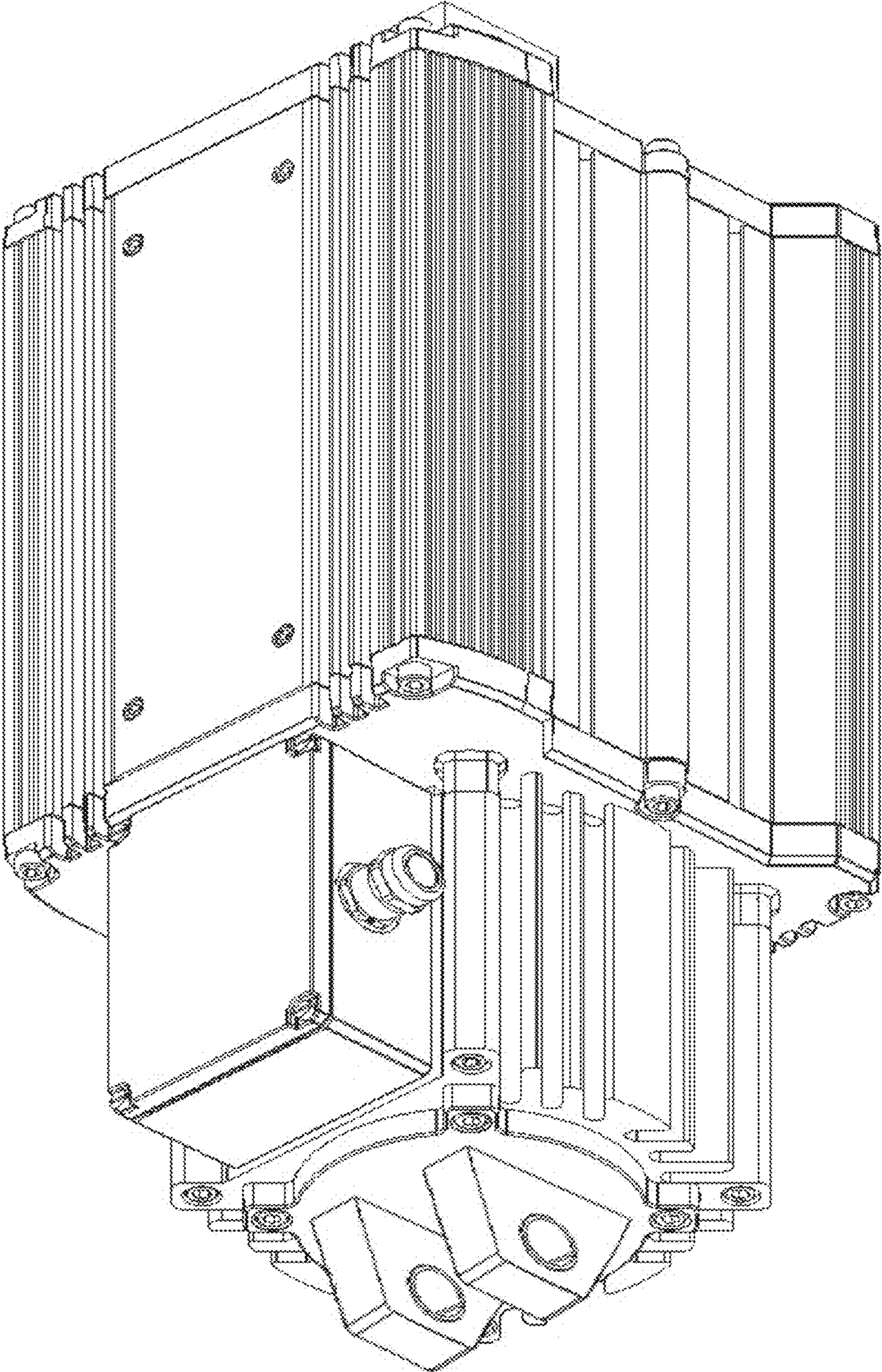


FIG. 8