



US00D871470S

(12) **United States Design Patent** (10) **Patent No.:** **US D871,470 S**  
**Xu et al.** (45) **Date of Patent:** **\*\* \*Dec. 31, 2019**

- (54) **VACUUM SEALER**
- (71) Applicants: **Shenglin Xu**, Hunan (CN); **Guihua Tian**, Hunan (CN)
- (72) Inventors: **Shenglin Xu**, Hunan (CN); **Guihua Tian**, Hunan (CN)
- (73) Assignee: **SHENZHEN GREEN ELECTRICAL APPLIANCE CO., LTD**, Shenzhen (CN)
- (\*) Notice: This patent is subject to a terminal disclaimer.
- (\*\*) Term: **15 Years**
- (21) Appl. No.: **29/622,841**
- (22) Filed: **Oct. 20, 2017**
- (51) **LOC (12) Cl.** ..... **15-09**
- (52) **U.S. Cl.**  
USPC ..... **D15/146**
- (58) **Field of Classification Search**  
USPC ..... D7/609; D15/145, 146; D18/50  
CPC .... B65B 31/024; B65B 31/046; B65B 31/047  
See application file for complete search history.

- (56) **References Cited**  
U.S. PATENT DOCUMENTS  
5,048,269 A \* 9/1991 Deni ..... B29C 66/4321  
53/374.9  
D342,532 S \* 12/1993 Deni ..... D15/146  
D763,334 S \* 8/2016 Yoshitomi ..... D15/146

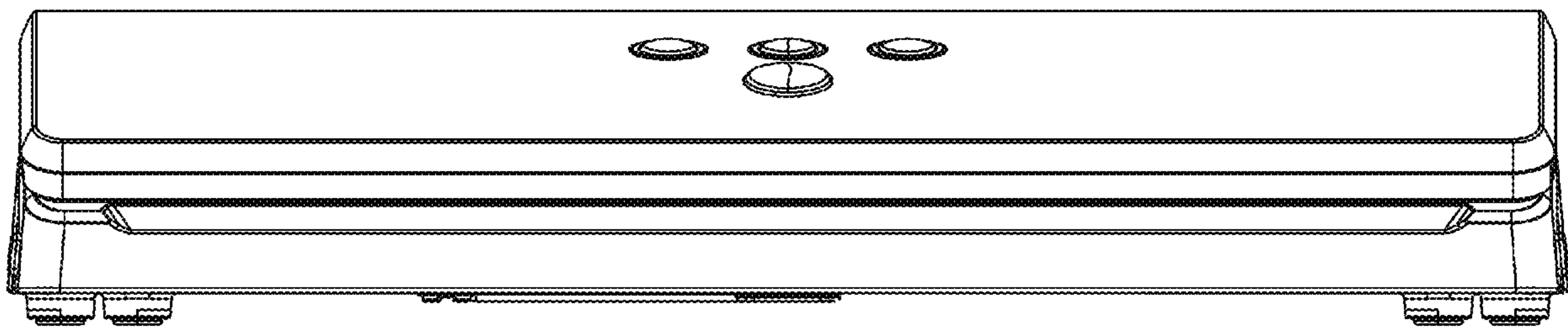
- D773,543 S \* 12/2016 Fan ..... D15/146
- D788,199 S \* 5/2017 Owens ..... D15/146
- 2005/0223682 A1 \* 10/2005 Sung ..... B65B 31/046  
53/512
- 2006/0207227 A1 \* 9/2006 Huang ..... B65B 31/046  
53/512
- 2007/0199283 A1 \* 8/2007 Sung ..... B65B 31/046  
53/512
- 2013/0232925 A1 \* 9/2013 Huang ..... B65B 31/048  
53/510
- 2014/0196405 A1 \* 7/2014 Owens ..... B65B 51/146  
53/396
- 2015/0367973 A1 \* 12/2015 Owens ..... B65B 31/048  
53/408
- 2018/0079538 A1 \* 3/2018 Hu ..... B65B 31/024
- 2018/0079544 A1 \* 3/2018 Palese ..... B65B 7/02

\* cited by examiner  
*Primary Examiner* — Patricia A Palasik  
(74) *Attorney, Agent, or Firm* — Justin Lampel

(57) **CLAIM**  
The ornamental design for vacuum sealer, as shown and described.

**DESCRIPTION**  
FIG. 1 is a perspective view of a vacuum sealer showing my new design;  
FIG. 2 is a front elevational view thereof;  
FIG. 3 is a rear elevational view thereof;  
FIG. 4 is a right side view thereof;  
FIG. 5 is a left side view thereof;  
FIG. 6 is a bottom plan view thereof; and,  
FIG. 7 is a top plan view thereof.

**1 Claim, 7 Drawing Sheets**



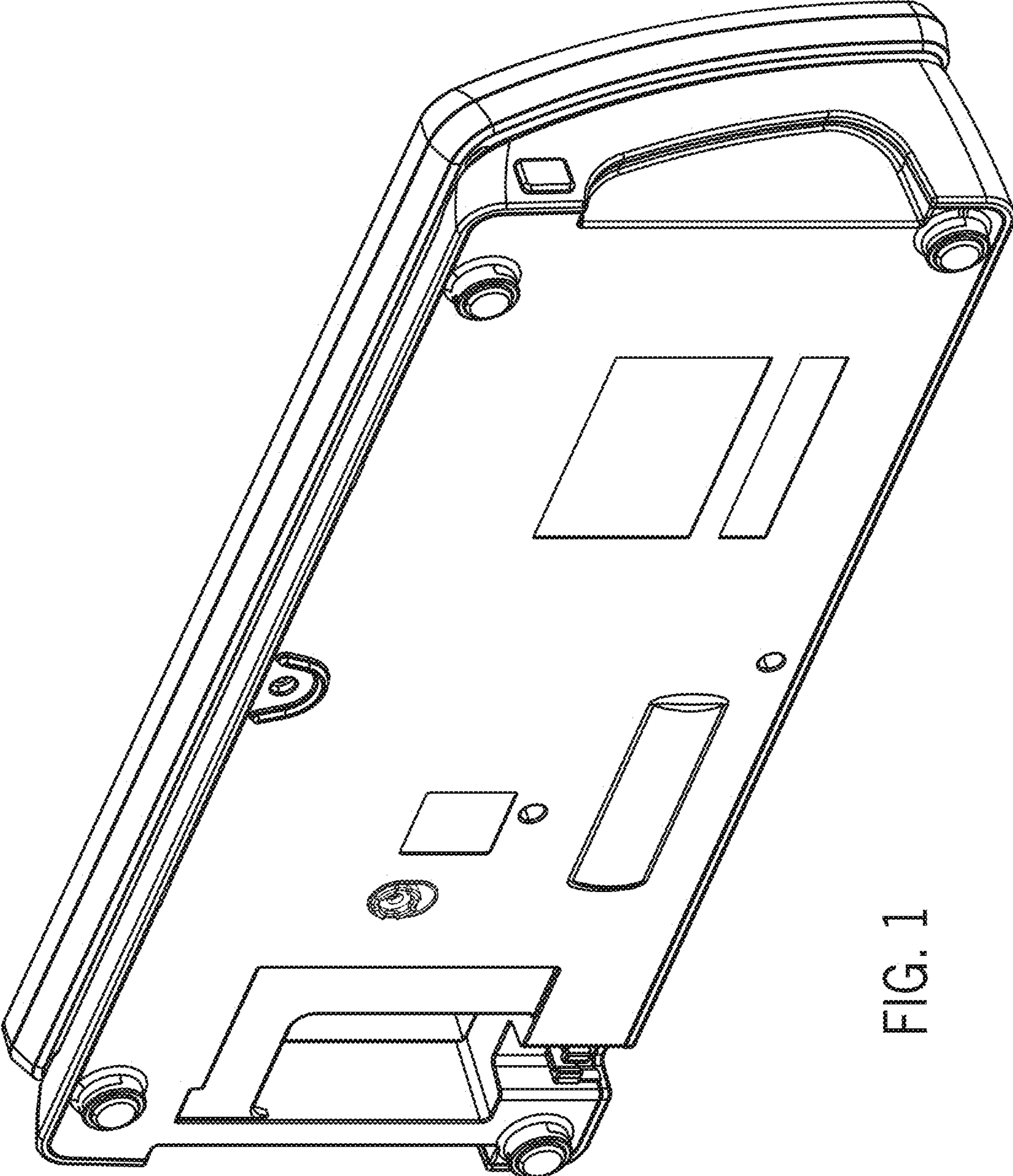


FIG. 1

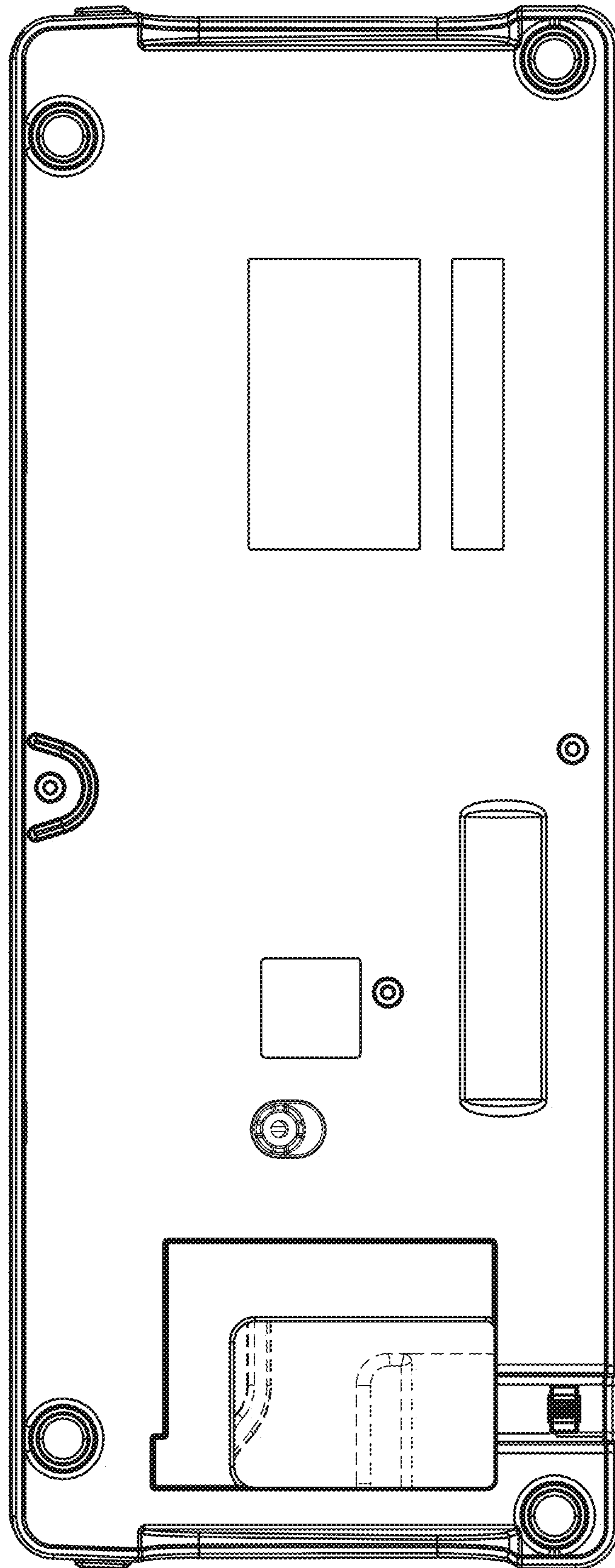


FIG. 2

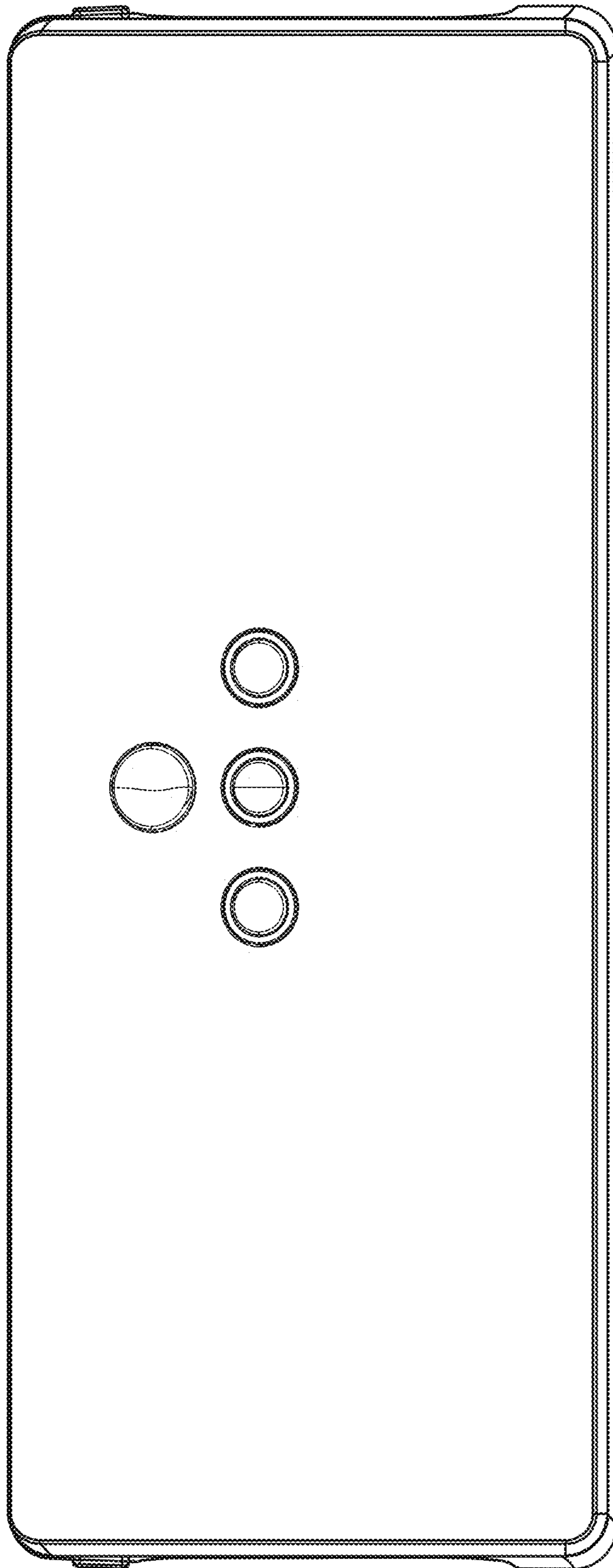


FIG. 3



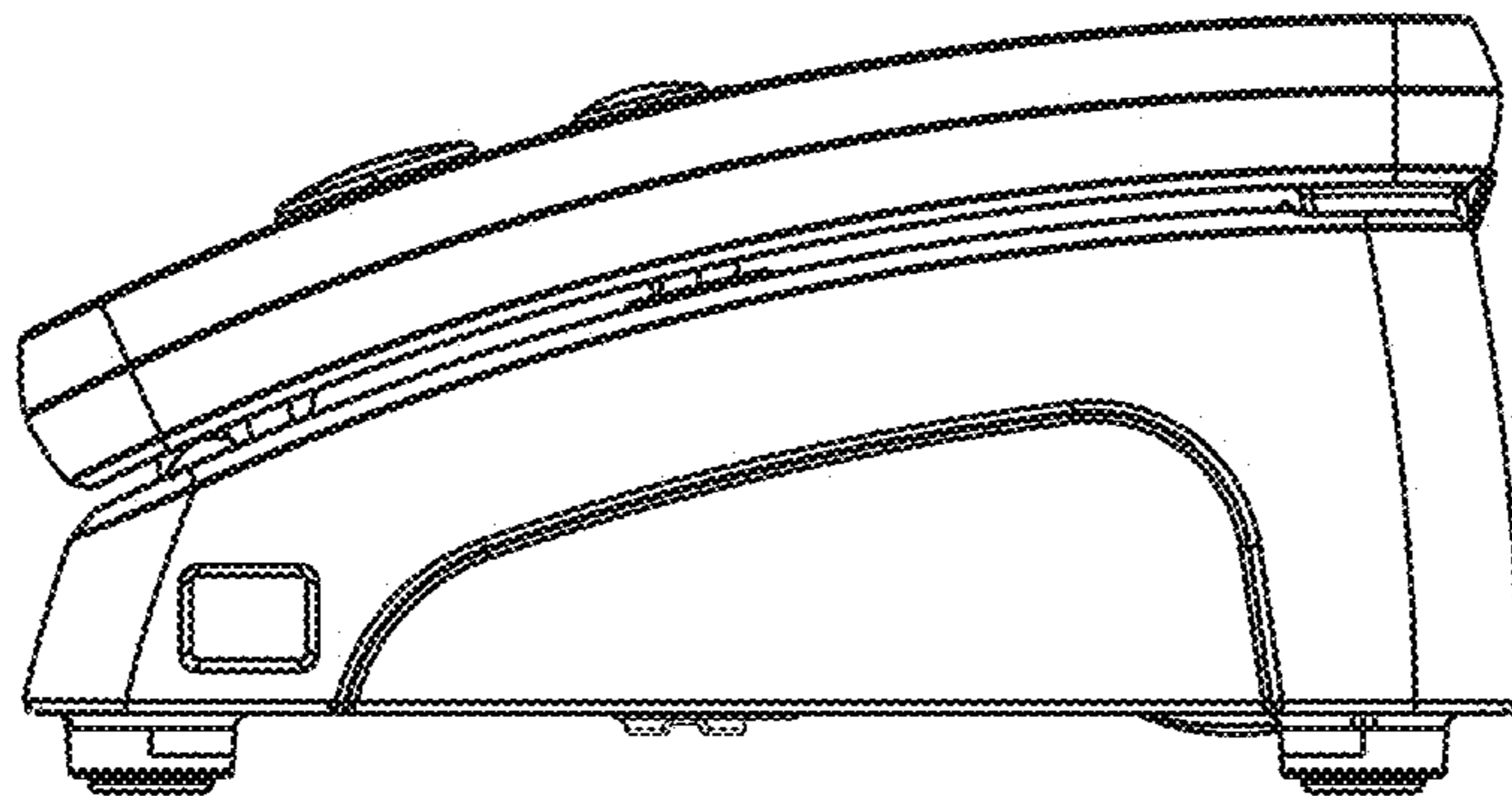


FIG. 4

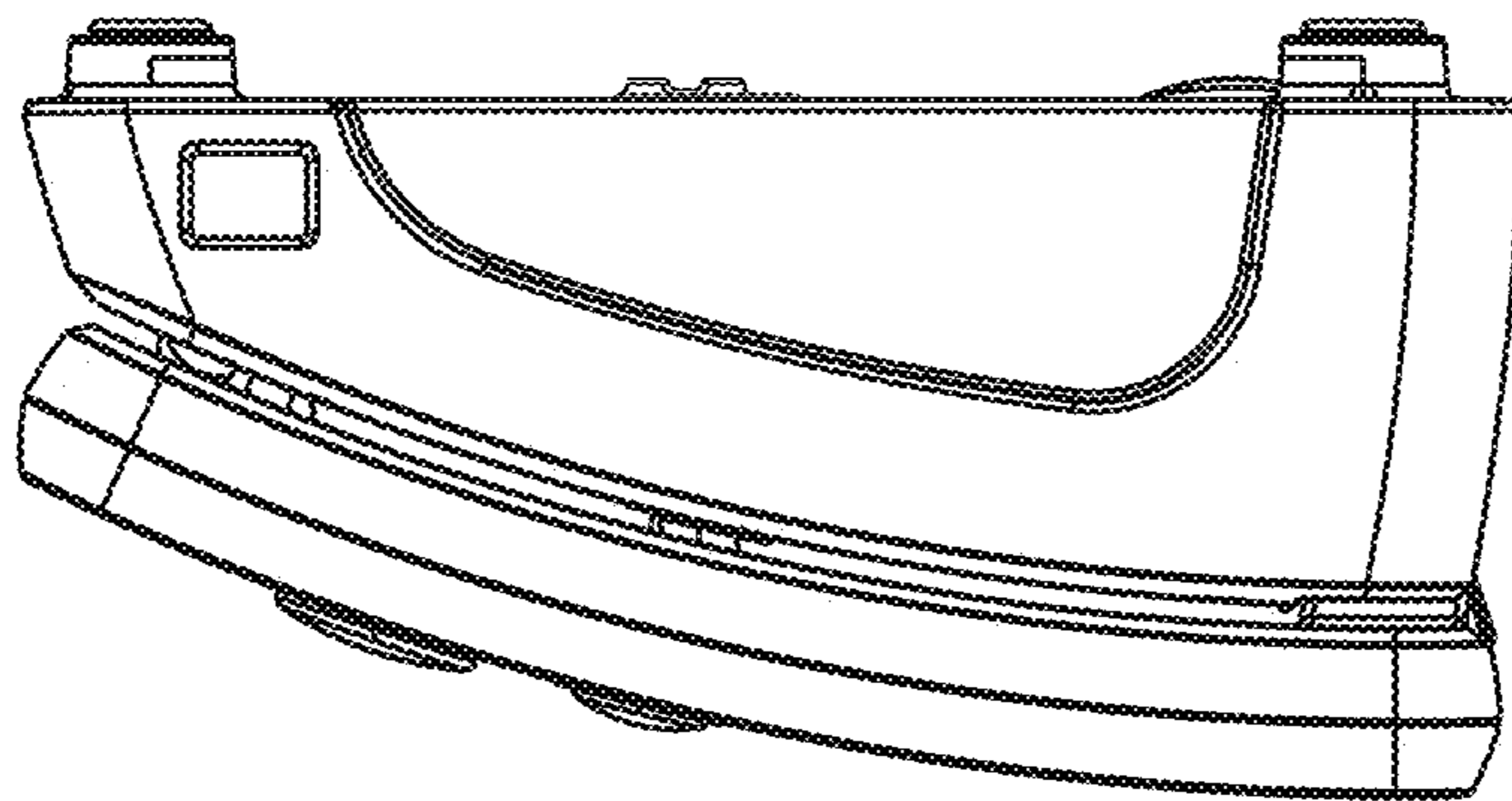


FIG. 5

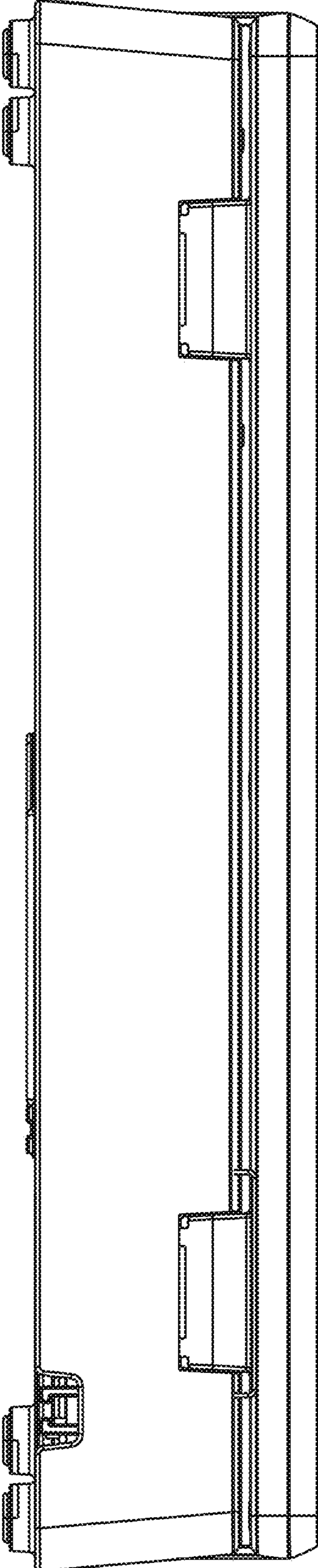


FIG. 6

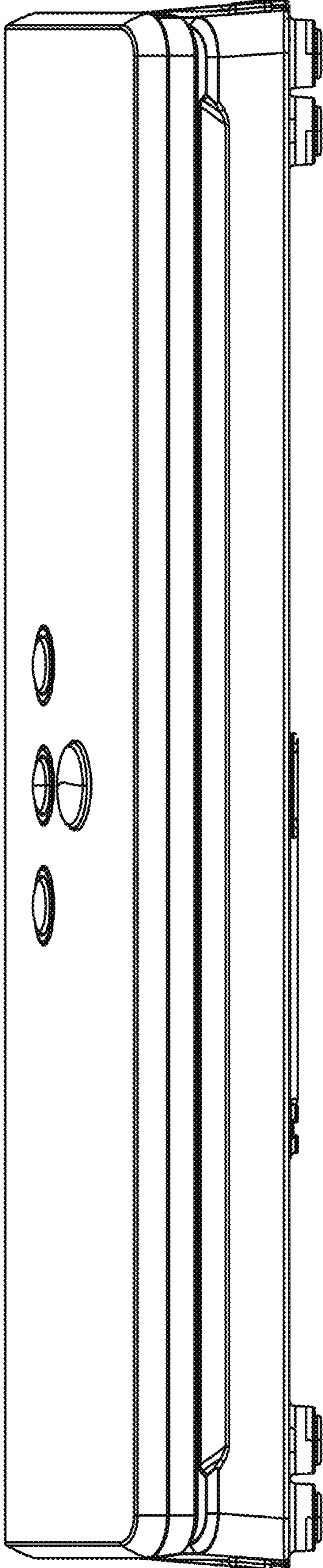


FIG. 7