



US00D871464S

(12) **United States Design Patent**
Hallberg et al.

(10) **Patent No.:** **US D871,464 S**

(45) **Date of Patent:** **** Dec. 31, 2019**

(54) **GYRATORY CRUSHER TOPSHELL**

(71) Applicant: **SANDVIK SRP AB**, Svedala (SE)

(72) Inventors: **Anders Hallberg**, Sodra Sandby (SE);
Sonny Ek, Svedala (SE); **Jan Johansson**, Lomma (SE)

(73) Assignee: **Sandvik SRP AB**, Svedala (SE)

(**) Term: **15 Years**

(21) Appl. No.: **29/658,427**

(22) Filed: **Jul. 31, 2018**

(30) **Foreign Application Priority Data**

Feb. 1, 2018 (EM) 004689941-0001

(51) **LOC (12) Cl.** **15-09**

(52) **U.S. Cl.**
USPC **D15/123**

(58) **Field of Classification Search**
USPC D15/122, 123; 72/448, 455, 465;
100/207, 208, 214, 268, 282, 292;
241/31, 58, 159, 179, 186, 236, 285;
435/86, 135, 347, 348.5, 349, 350, 353,
435/355, 358, 360
CPC .. B01D 41/04; B02C 1/00; B02C 1/02; B02C
1/04; B02C 1/005; B02C 1/025; B02C
1/043; B02C 2/04; B02C 13/00; B02C
13/282; B02C 13/1828; B02C 13/2804;
B02C 18/14; B02C 18/142; B02C 18/145;
B02C 18/147; B02C 18/2233; B02C
19/22; B30B 9/321; B30B 9/3039; Y10S
100/902

See application file for complete search history.

(56) **References Cited**

U.S. PATENT DOCUMENTS

D713,431 S * 9/2014 Malmqvist D15/123
D716,853 S * 11/2014 Malmqvist D15/123

D716,854 S * 11/2014 Bergman D15/123
D719,195 S * 12/2014 Ljunggren D15/123
D722,626 S * 2/2015 Atzlinger D15/123
D729,855 S * 5/2015 Johansson D15/123
D730,415 S * 5/2015 Malmqvist D15/123
D733,766 S * 7/2015 Sjoback D15/28
D734,375 S * 7/2015 Johansson D15/123
D735,247 S * 7/2015 Malmqvist D15/28
D737,348 S * 8/2015 Johansson D15/123
D737,349 S * 8/2015 Johansson D15/123
D745,572 S * 12/2015 Bergman D15/28
D745,582 S * 12/2015 Malmqvist D15/123
D757,829 S * 5/2016 Dallimore D15/123
D781,935 S * 3/2017 Larsson D15/123
2015/0273474 A1* 10/2015 Eriksson B02C 2/06
241/209
2016/0067712 A1* 3/2016 Christoffersson B02C 2/04
241/207
2016/0158761 A1* 6/2016 Andersson B02C 2/04
241/207

(Continued)

Primary Examiner — Patricia A Palasik

(74) *Attorney, Agent, or Firm* — Corinne R. Gorski

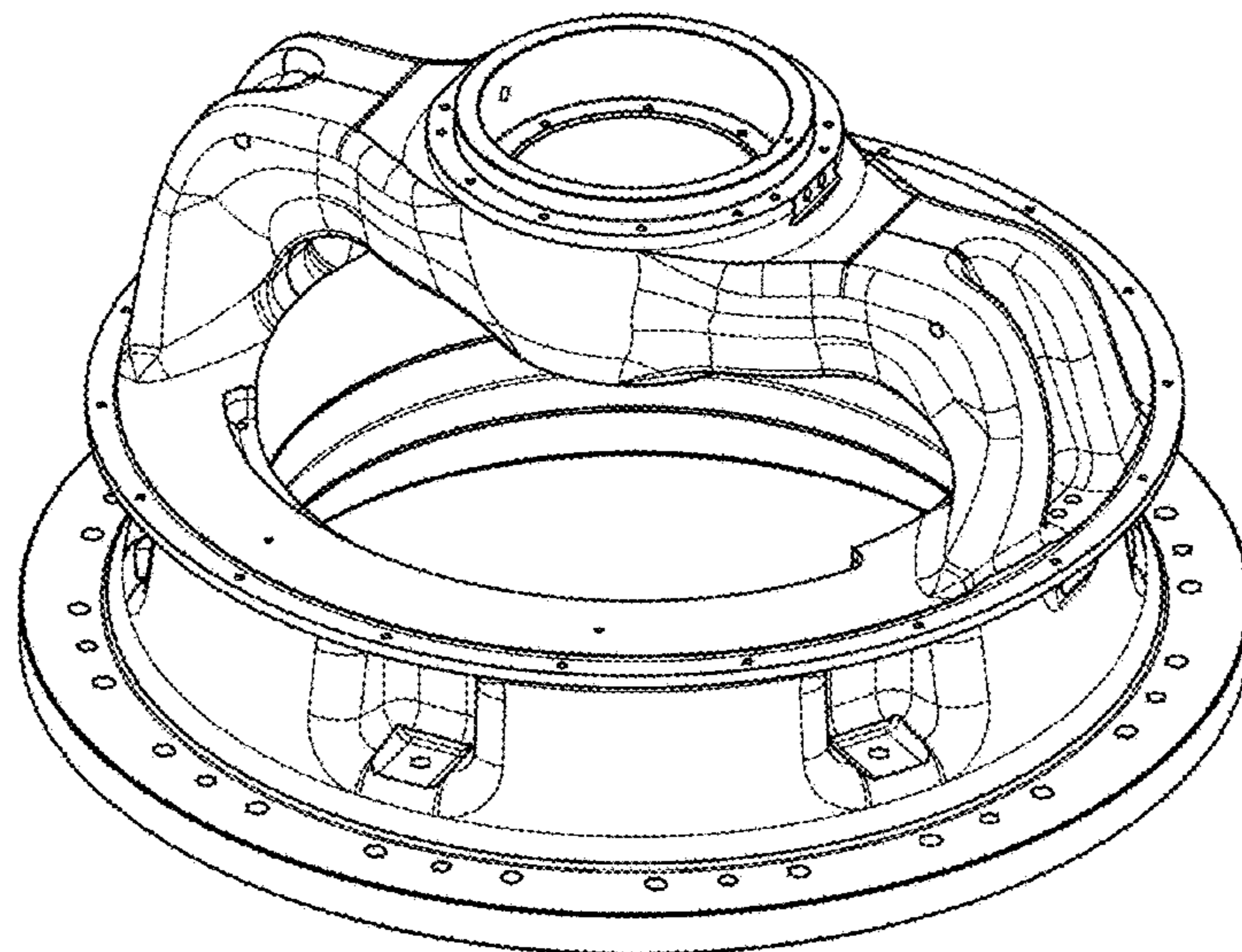
(57) **CLAIM**

The ornamental design for a gyratory crusher topshell, as shown and described.

DESCRIPTION

FIG. 1 is a perspective view of a gyratory crusher shell;
FIG. 2 is a left side view thereof;
FIG. 3 is a right side view thereof;
FIG. 4 is a side view thereof, the opposite side view being a mirror image thereof;
FIG. 5 is a top view thereof; and,
FIG. 6 is a bottom view thereof.
The broken lines shown in the drawings depict portions of the gyratory crusher topshell that form no part of the claimed design.

1 Claim, 6 Drawing Sheets



(56)

References Cited

U.S. PATENT DOCUMENTS

2018/0280983 A1* 10/2018 Christoffersson B02C 2/005

* cited by examiner

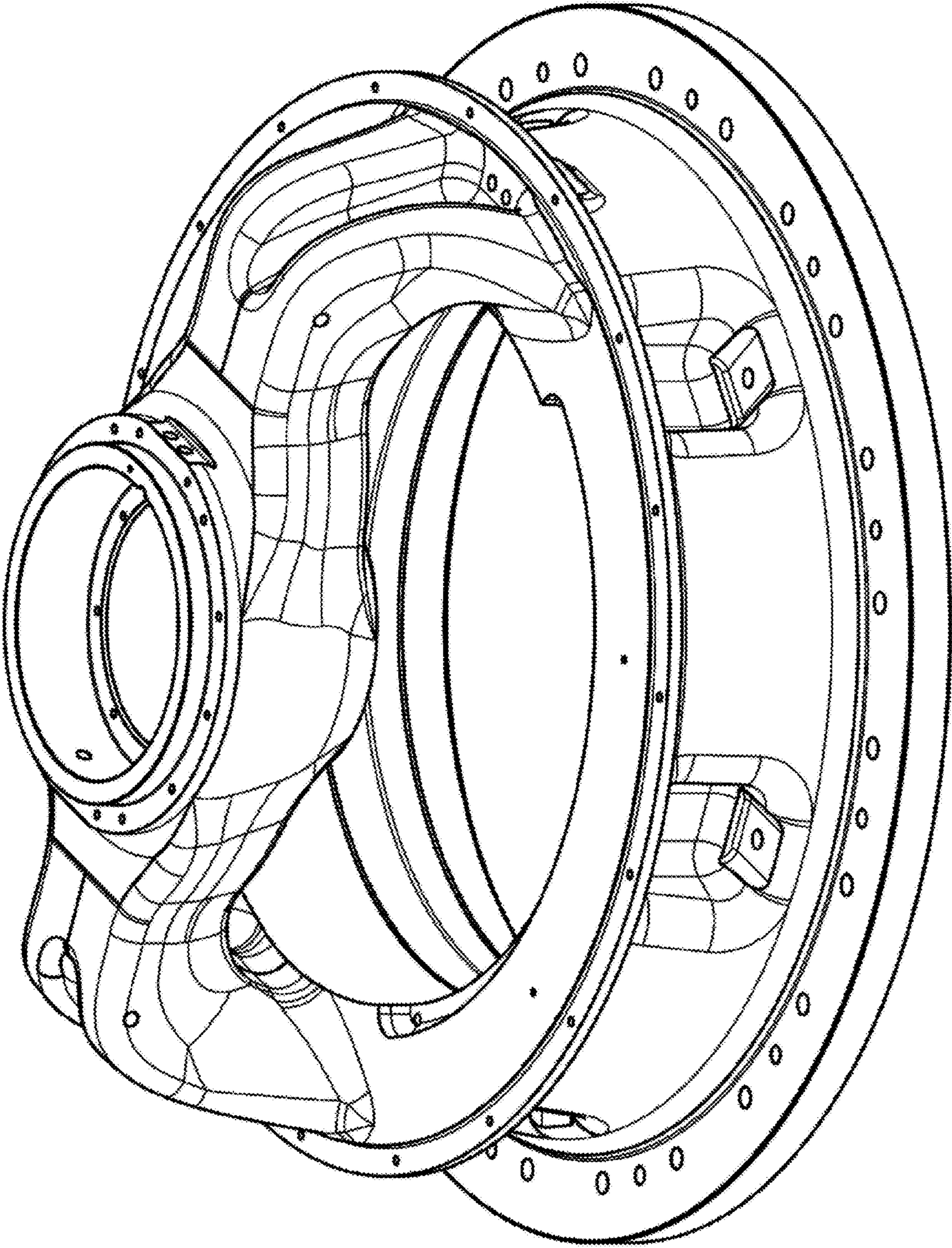


FIG. 1

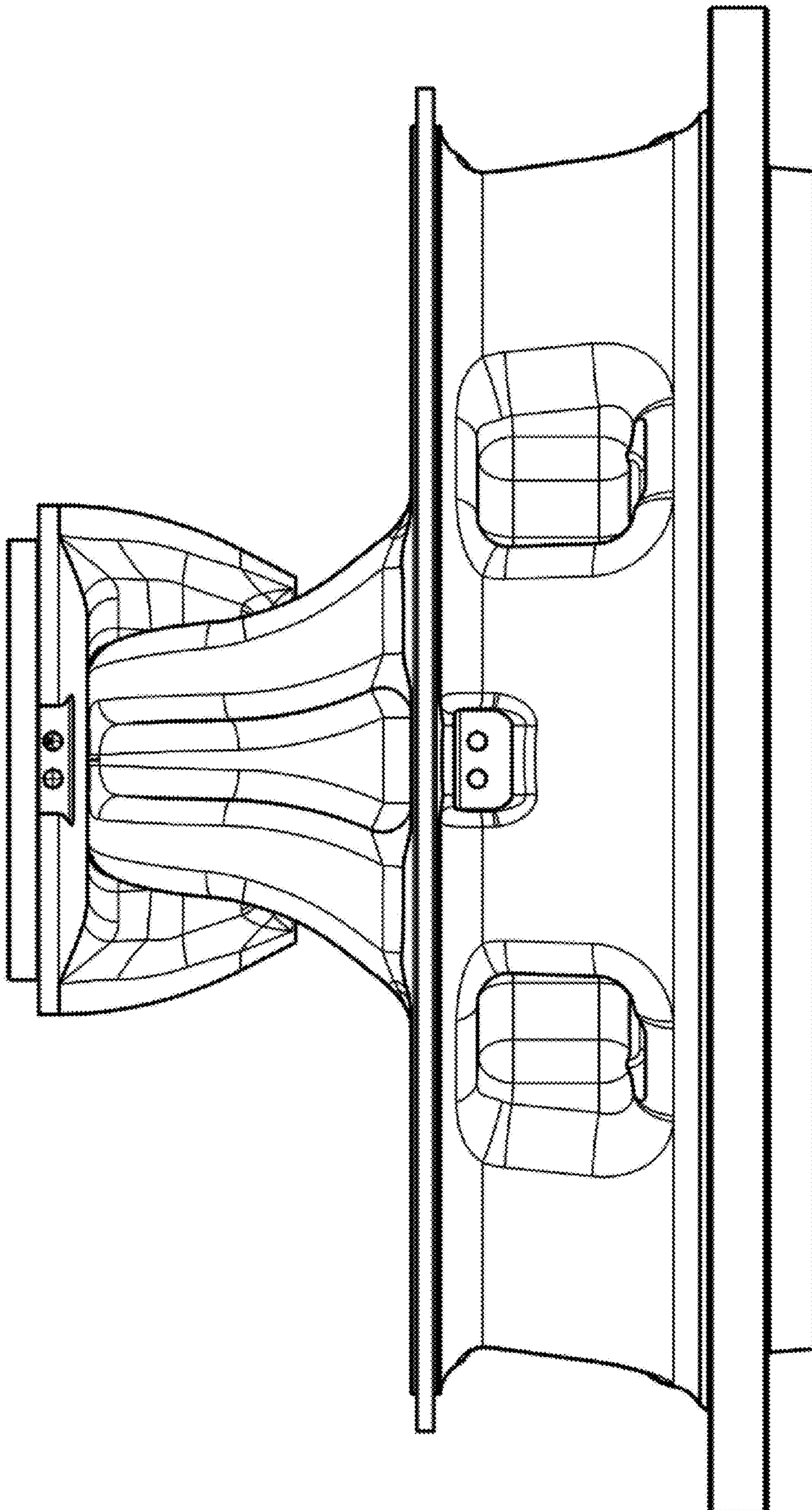


FIG. 2

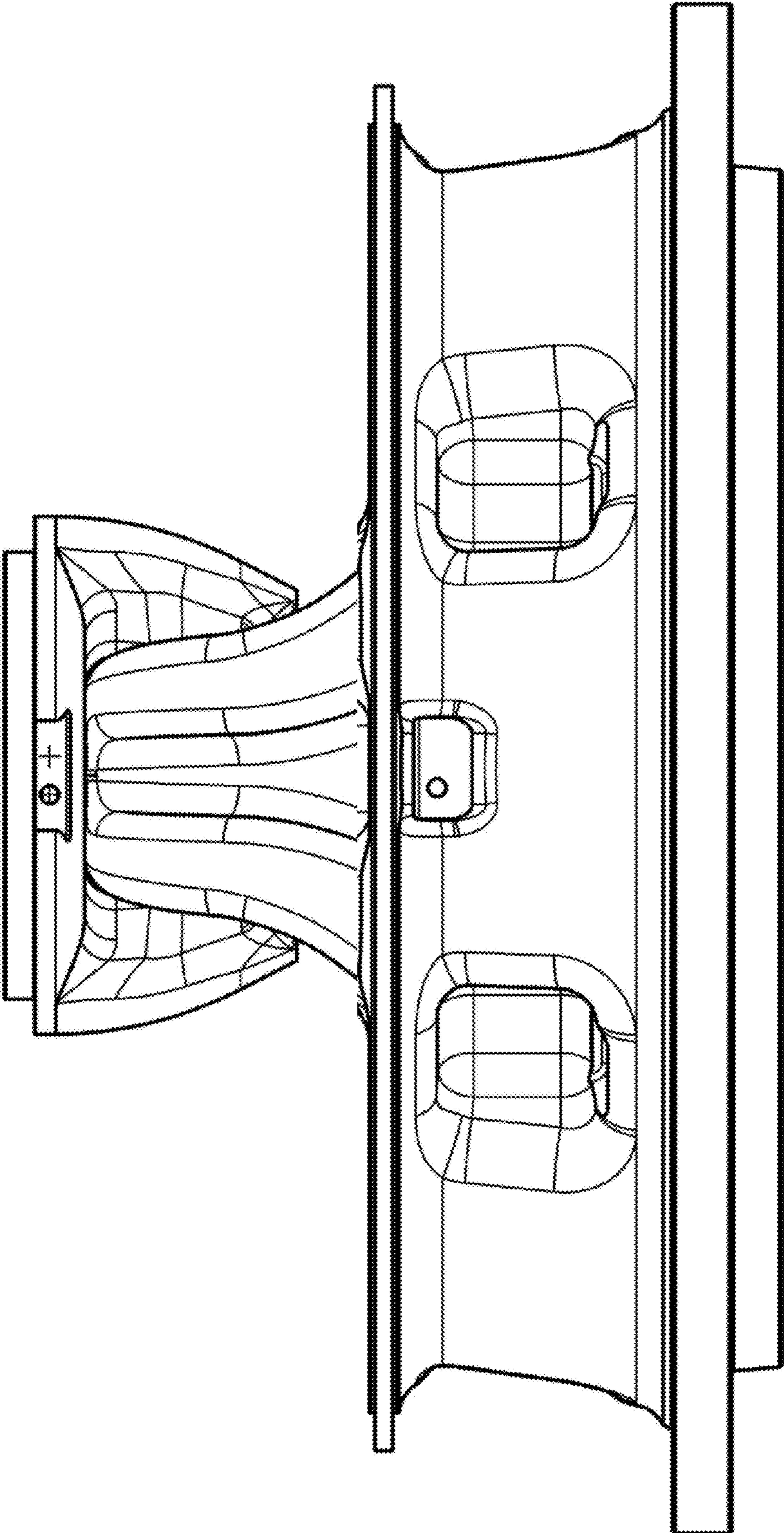


FIG. 3

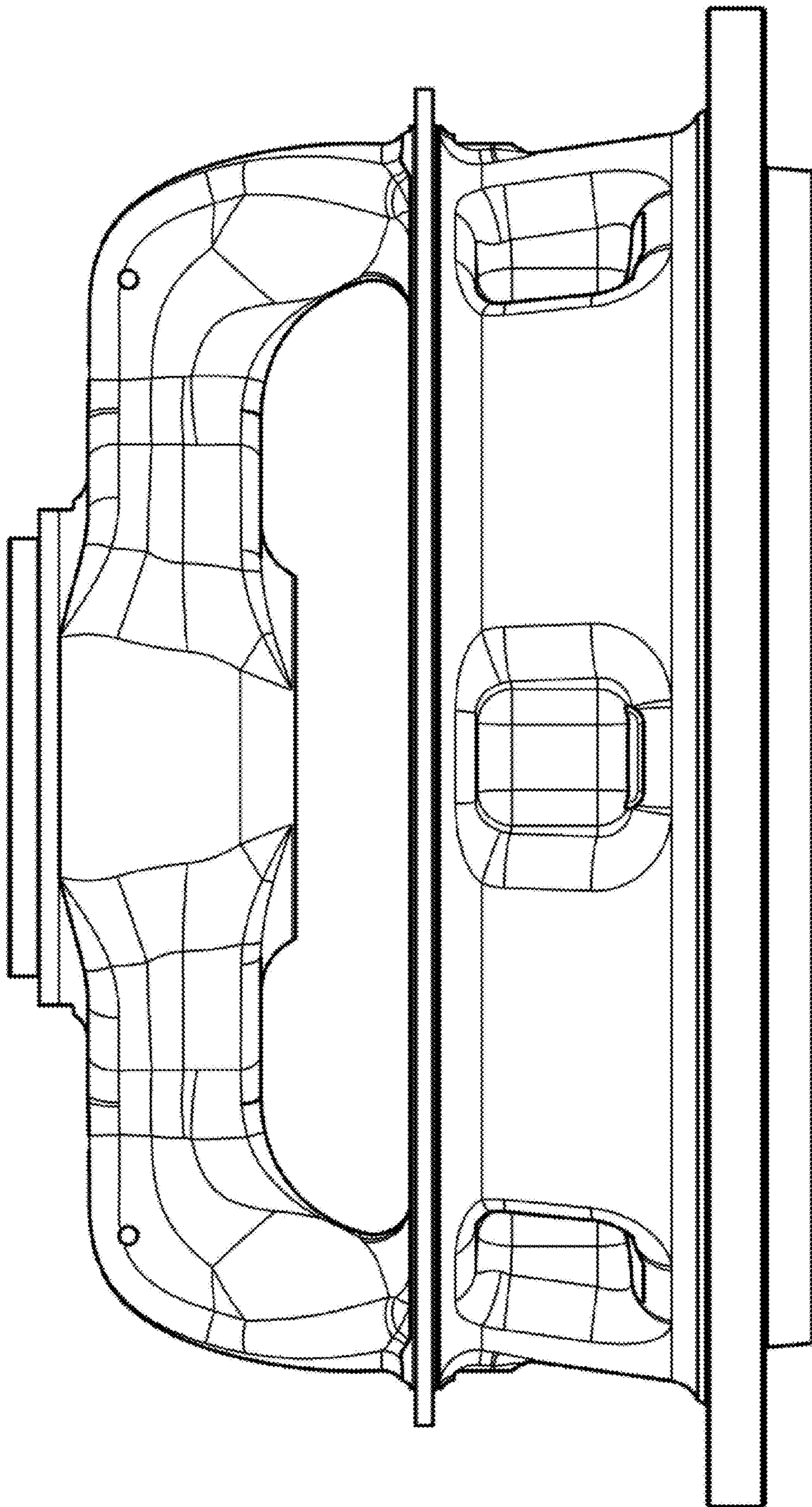


FIG. 4

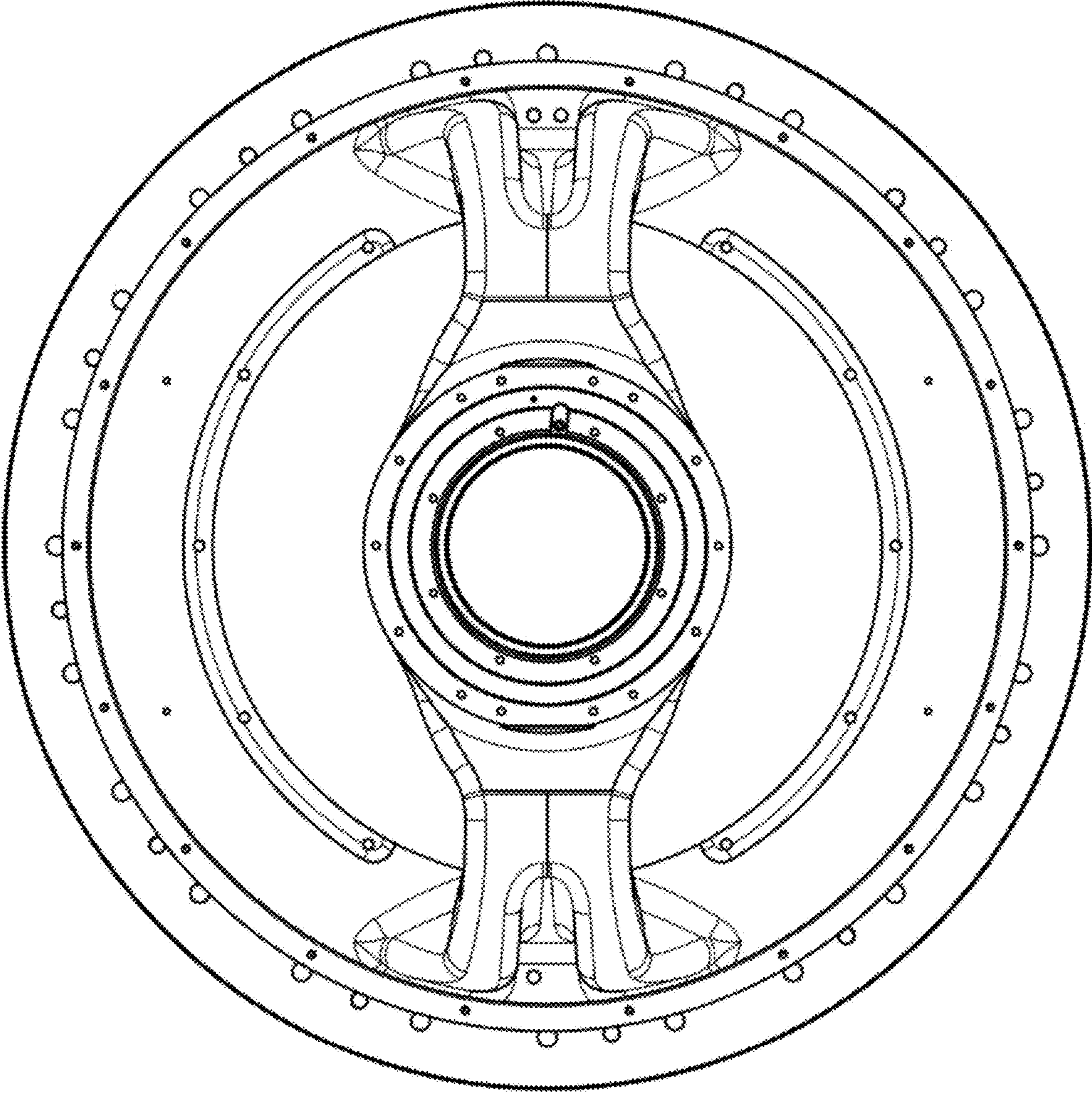


FIG. 5

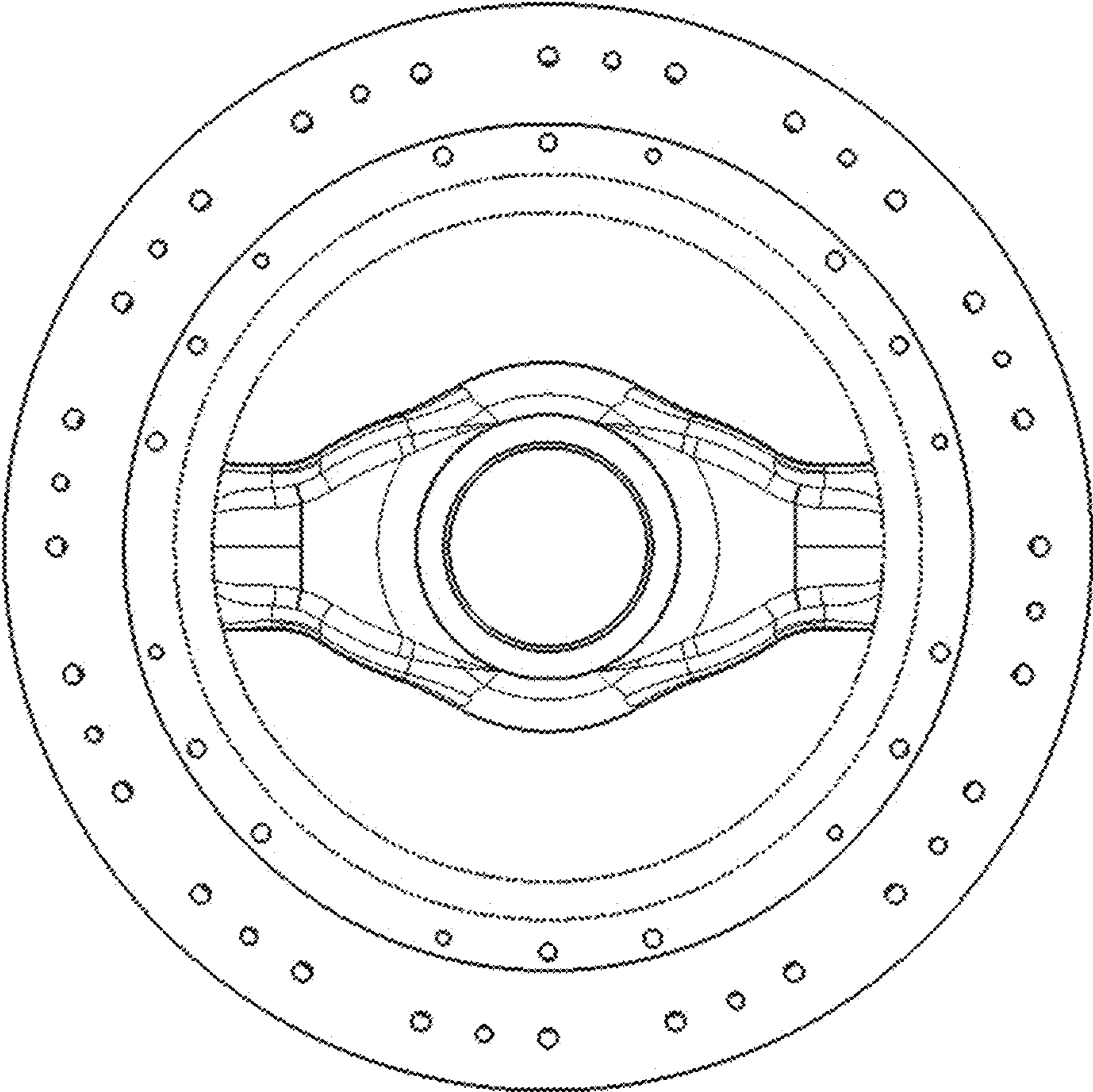


FIG. 6