



US00D871463S

(12) **United States Design Patent** (10) **Patent No.:** **US D871,463 S**
Cao et al. (45) **Date of Patent:** **** Dec. 31, 2019**

(54) 3D PRINTER	8,945,456 B2 * 2/2015 Zenere B29C 64/135 264/401
(71) Applicant: Jiangsu wiibox technology co., ltd., Nanjing (CN)	D732,586 S * 6/2015 Chen D15/122 D734,814 S * 7/2015 Yeh D18/50 D739,885 S * 9/2015 Lee D15/122 D740,863 S * 10/2015 Kemperle D15/122 D745,069 S * 12/2015 Kemperle D15/122 D746,881 S * 1/2016 Anantha D15/122 D749,153 S * 2/2016 Anantha D15/122 D749,154 S * 2/2016 Kemperle D15/122 D749,155 S * 2/2016 Kemperle D15/122 D749,172 S * 2/2016 Nakagawa D18/55 D751,612 S * 3/2016 Kojima D15/122 D752,661 S * 3/2016 Anantha D15/122
(72) Inventors: Jie Cao, Nanjing (CN); Wang Liang, Nanjing (CN)	
(73) Assignee: JIANGSU WIIBOOX TECHNOLOGY CO., LTD., Nanjing (CN)	
(**) Term: 15 Years	(Continued)

(21) Appl. No.: **29/658,686**

(22) Filed: **Aug. 2, 2018**

(51) **LOC (12) Cl.** **15-09**

(52) **U.S. Cl.**
USPC **D15/122**

(58) **Field of Classification Search**
USPC D14/420-425, 462-470; D15/122, 135,
D15/136, 145, 199; D18/36-37, 50, 54,
D18/54.1
CPC . B29C 47/12; B29C 67/0059; B29C 67/0088;
B29K 2105/0058
See application file for complete search history.

(56) **References Cited**

U.S. PATENT DOCUMENTS

D514,556 S *	2/2006	Rising	D14/300
7,297,304 B2 *	11/2007	Swanson	B29C 41/36 264/308
D559,900 S *	1/2008	Kimura	D18/50
D561,249 S *	2/2008	Smith	D18/55
8,251,500 B2 *	8/2012	Yamada	B41J 2/185 347/86
D677,723 S *	3/2013	Buel	D18/59
D685,825 S *	7/2013	Hoelbl	D15/122
D694,298 S *	11/2013	Hoelbl	D15/122
D711,463 S *	8/2014	Costabeber	D14/300

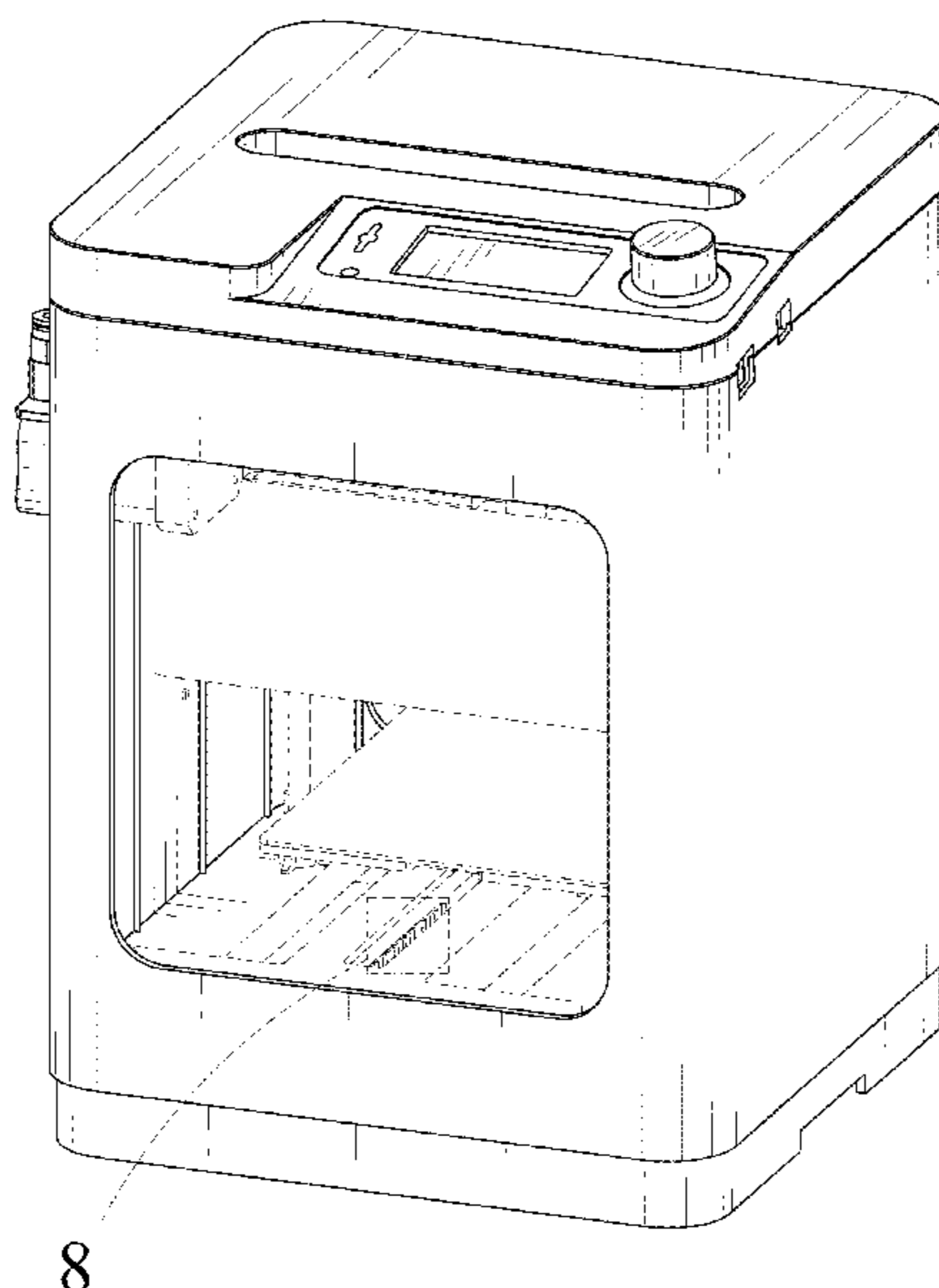
Primary Examiner — Patricia A Palasik
(74) *Attorney, Agent, or Firm* — Gokalp Bayramoglu

(57) **CLAIM**
The ornamental design for a 3D printer, as shown and described.

DESCRIPTION

FIG. 1 is a front perspective view of a 3D printer showing the new design;
FIG. 2 is a rear perspective view thereof;
FIG. 3 is a front view thereof;
FIG. 4 is a rear view thereof;
FIG. 5 is a left side view thereof;
FIG. 6 is a right side view thereof;
FIG. 7 is a top view thereof;
FIG. 8 is a detailed enlarged view as shown in rectangle 8 in FIG. 1; and,
FIG. 9 is a partial enlarged view as shown in rectangle 9 in FIG. 2.
The bottom view of the 3D printer is omitted since the bottom view is invisible in normal use.
The broken lines showing the 3D printer illustrate portions of the 3D printer and form no part of the claimed design.

1 Claim, 8 Drawing Sheets



(56)

References Cited

U.S. PATENT DOCUMENTS

D754,763	S *	4/2016	Kraibuhler	D15/122
D757,132	S *	5/2016	Liu	D15/122
D759,736	S *	6/2016	Huang	D15/122
D760,825	S *	7/2016	Solorzano	D15/122
D763,330	S *	8/2016	Olive	D15/122
D766,998	S *	9/2016	Kao	D15/122
D770,545	S *	11/2016	Olive	D15/122
D777,808	S *	1/2017	Chang	D15/122
D809,574	S *	2/2018	Lin	D15/122
D810,156	S *	2/2018	Lin	D15/135
D826,296	S *	8/2018	Noorazar	D15/122
10,300,651	B2 *	5/2019	Noorazar	B29C 64/118
D854,591	S *	7/2019	Gupta	D15/122
2014/0043630	A1 *	2/2014	Buser	B29C 64/106 358/1.13

* cited by examiner

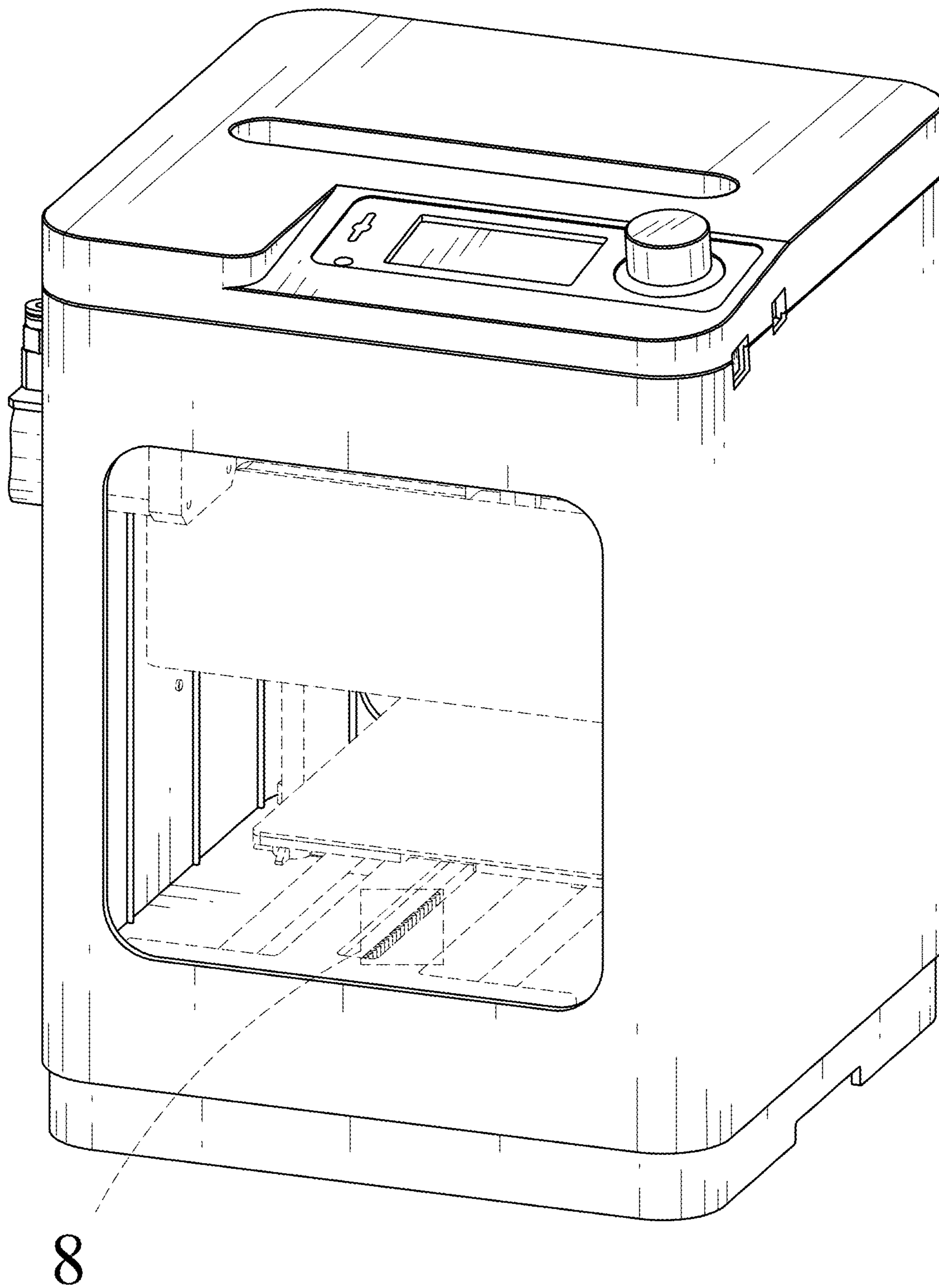


Fig. 1

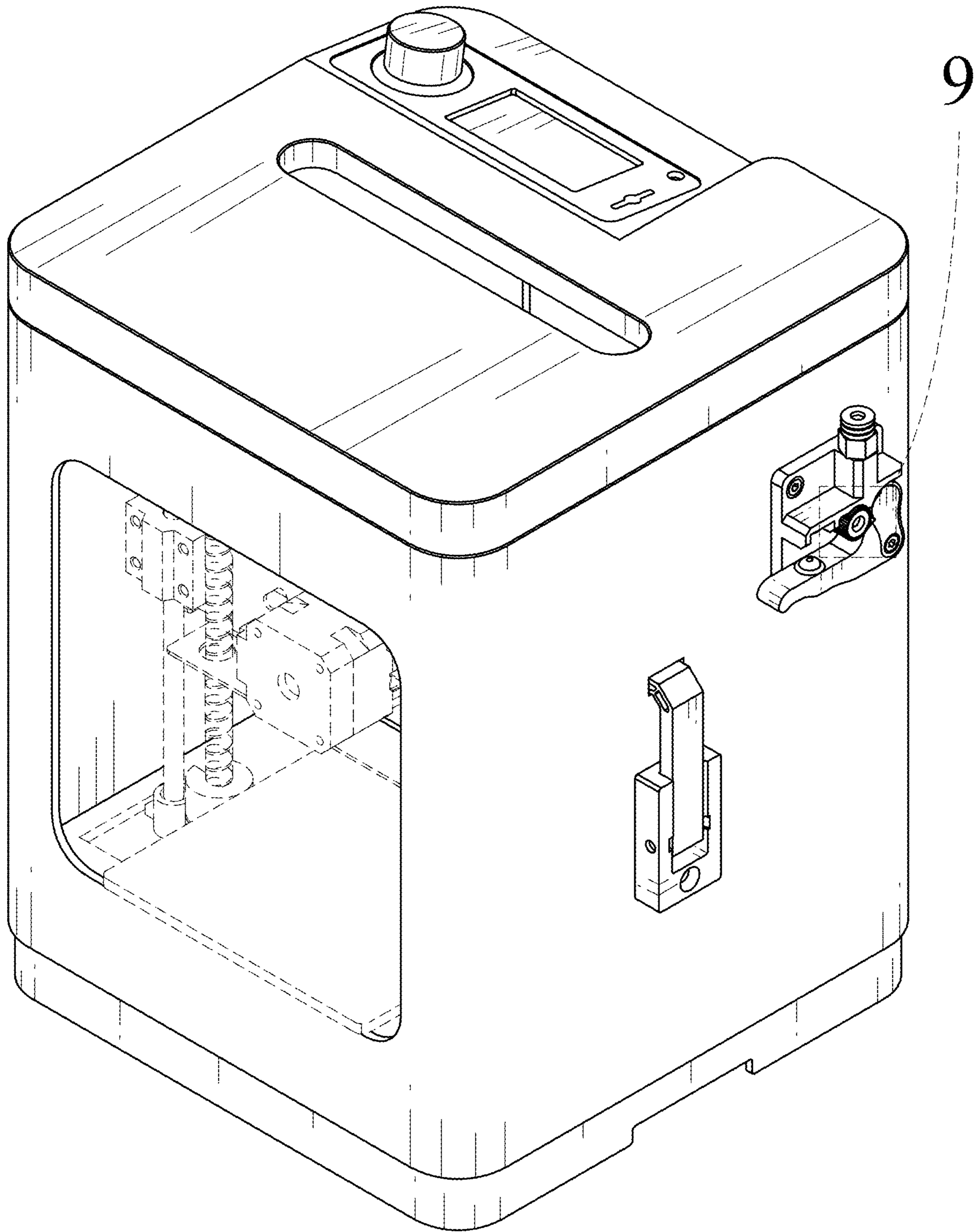


Fig. 2

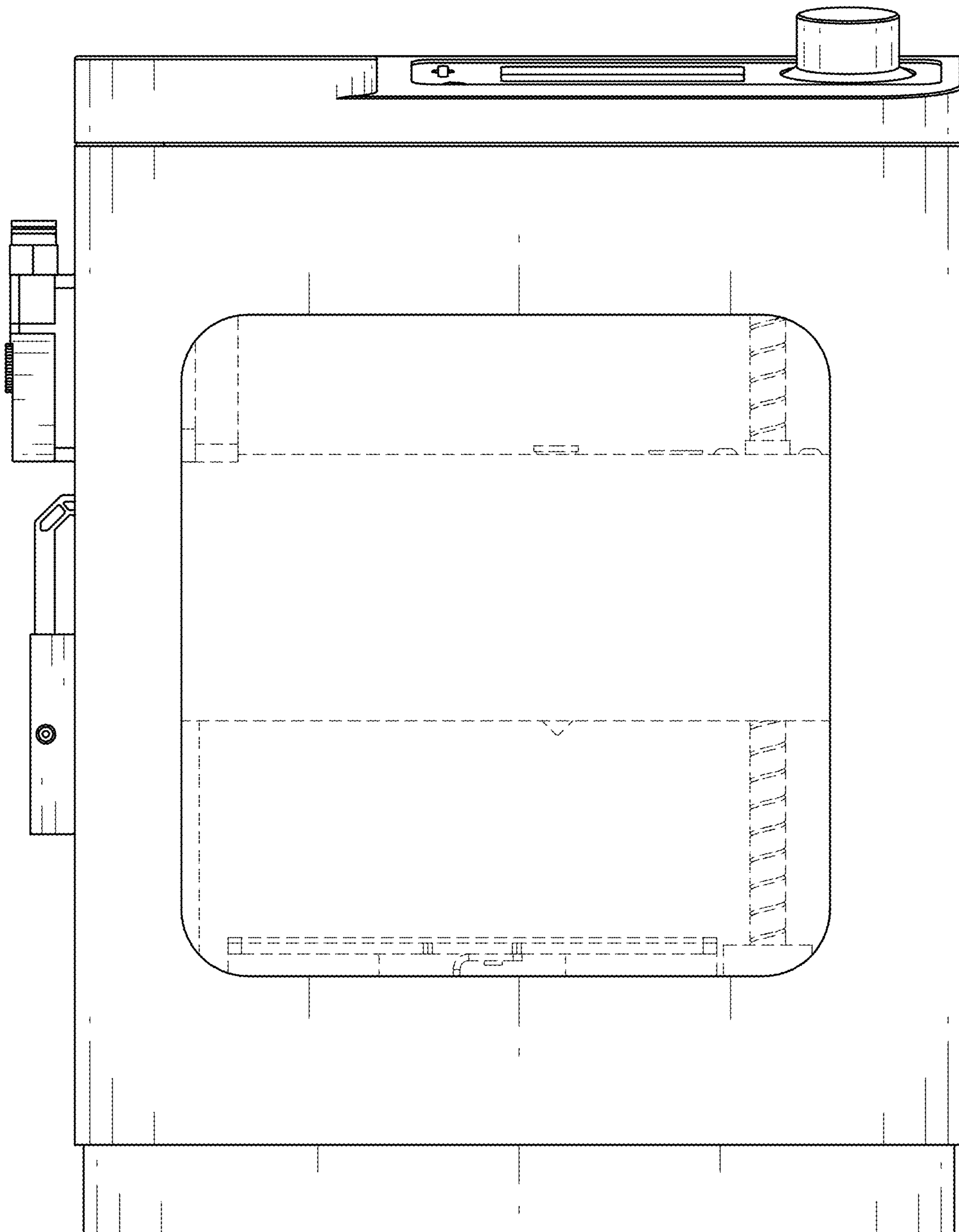


Fig. 3

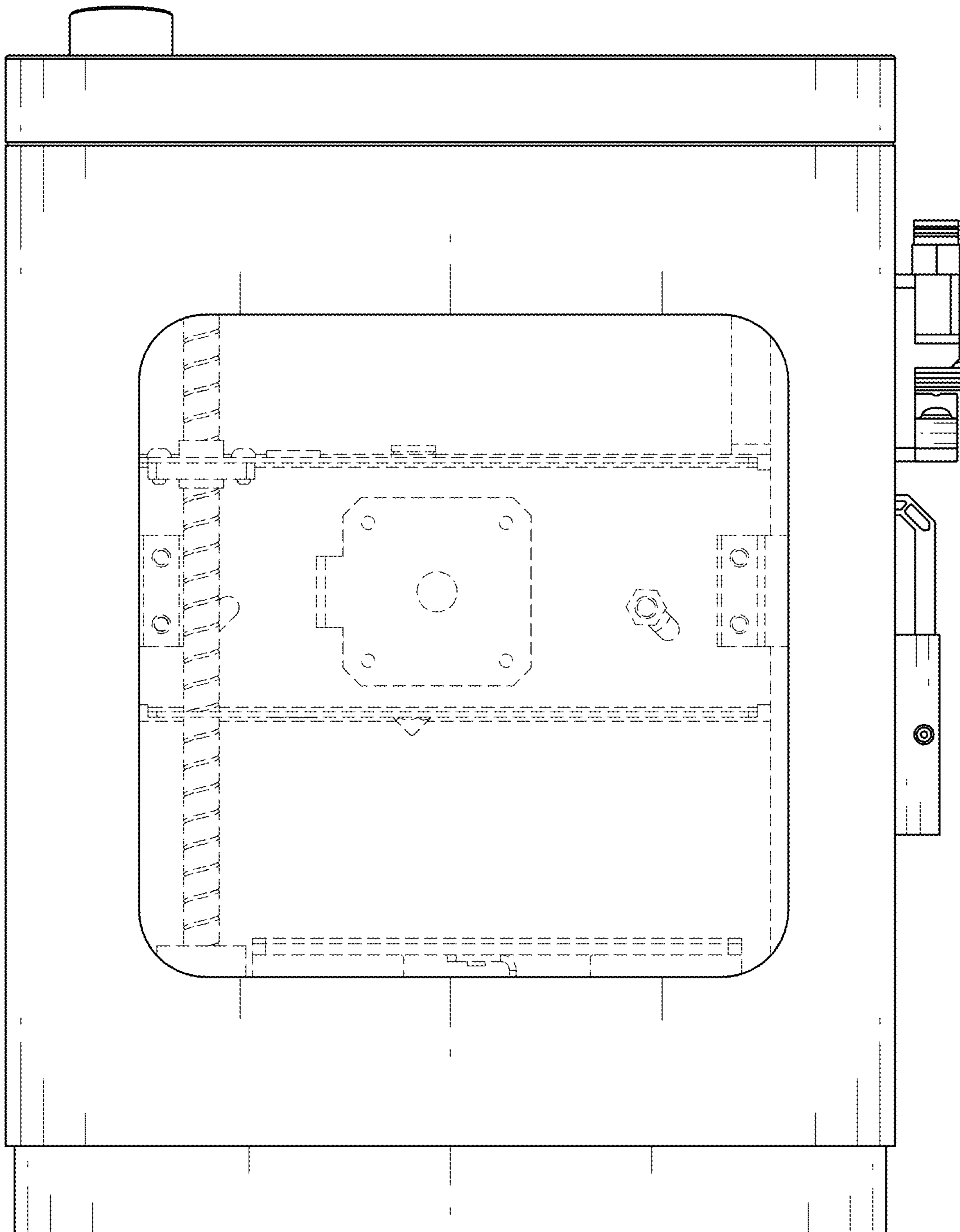


Fig. 4

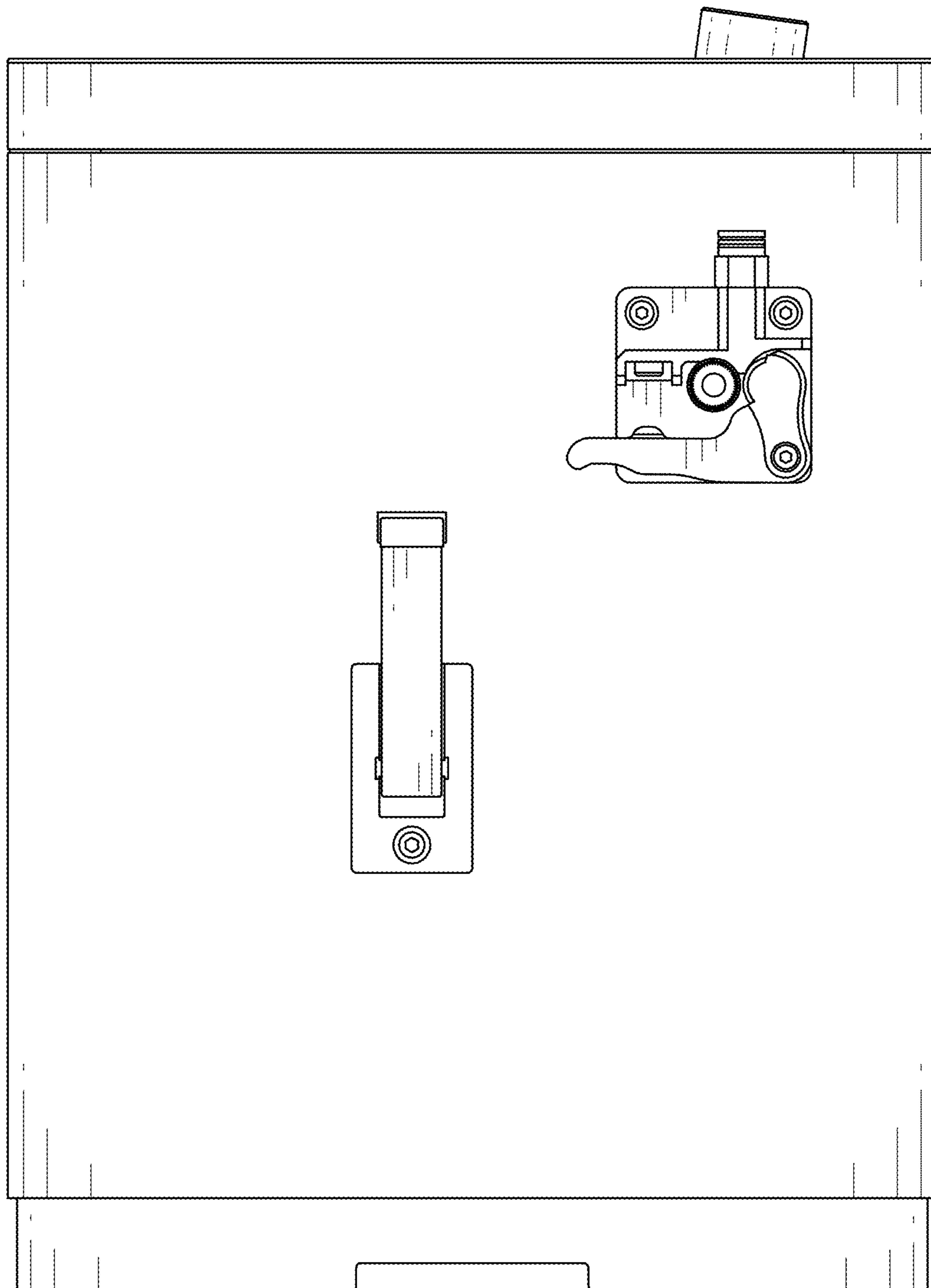


Fig. 5

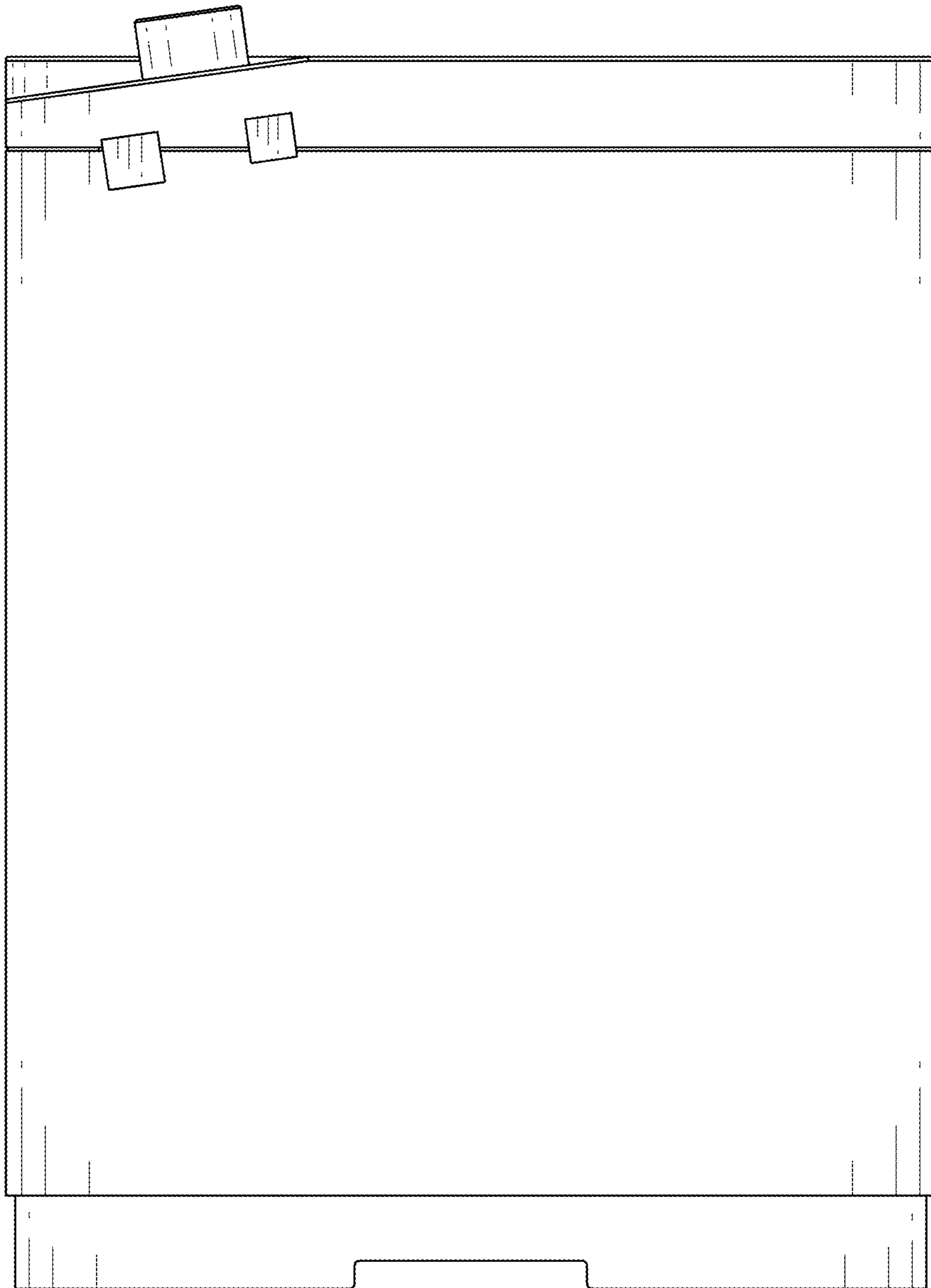


Fig. 6

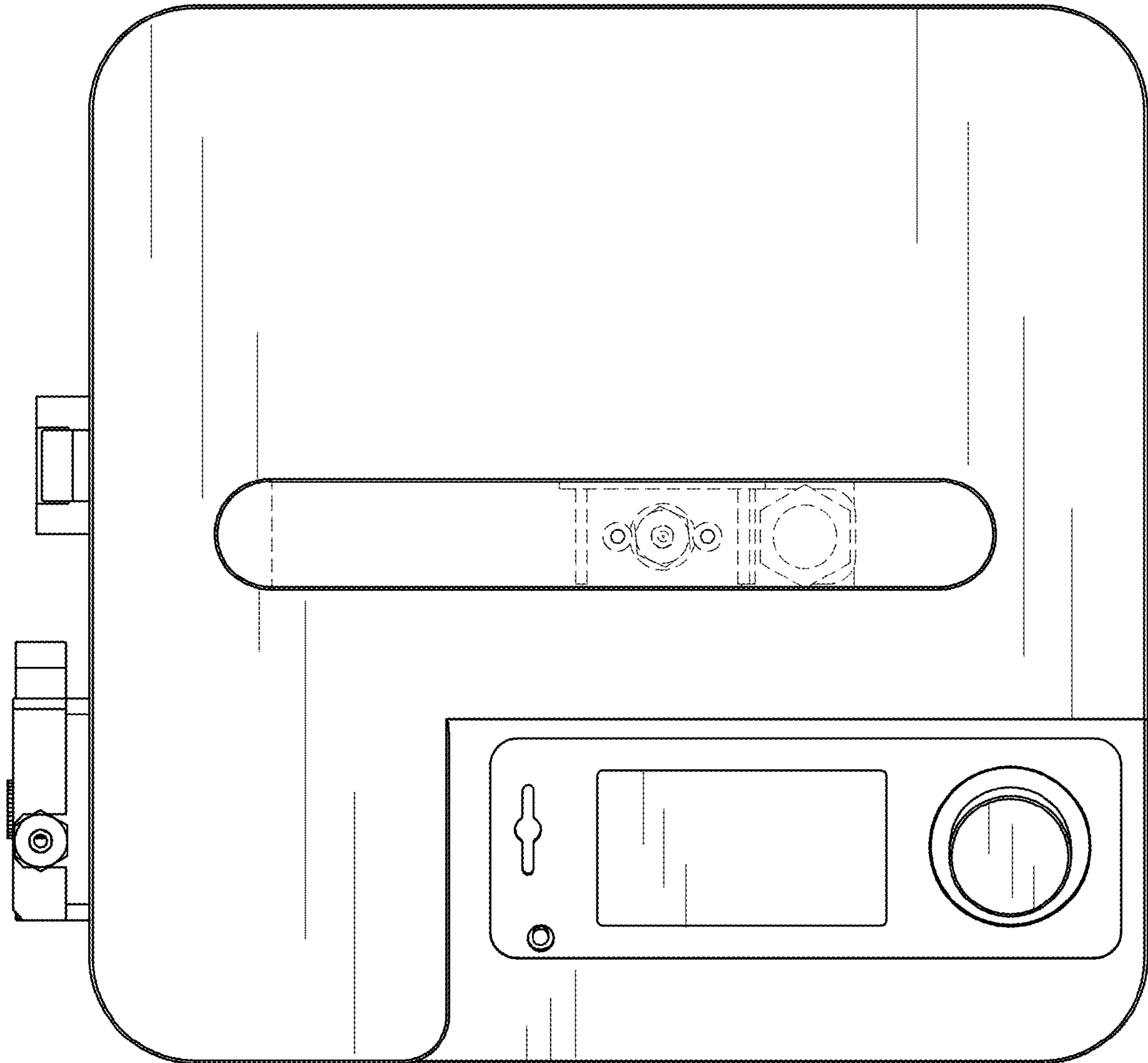


Fig. 7

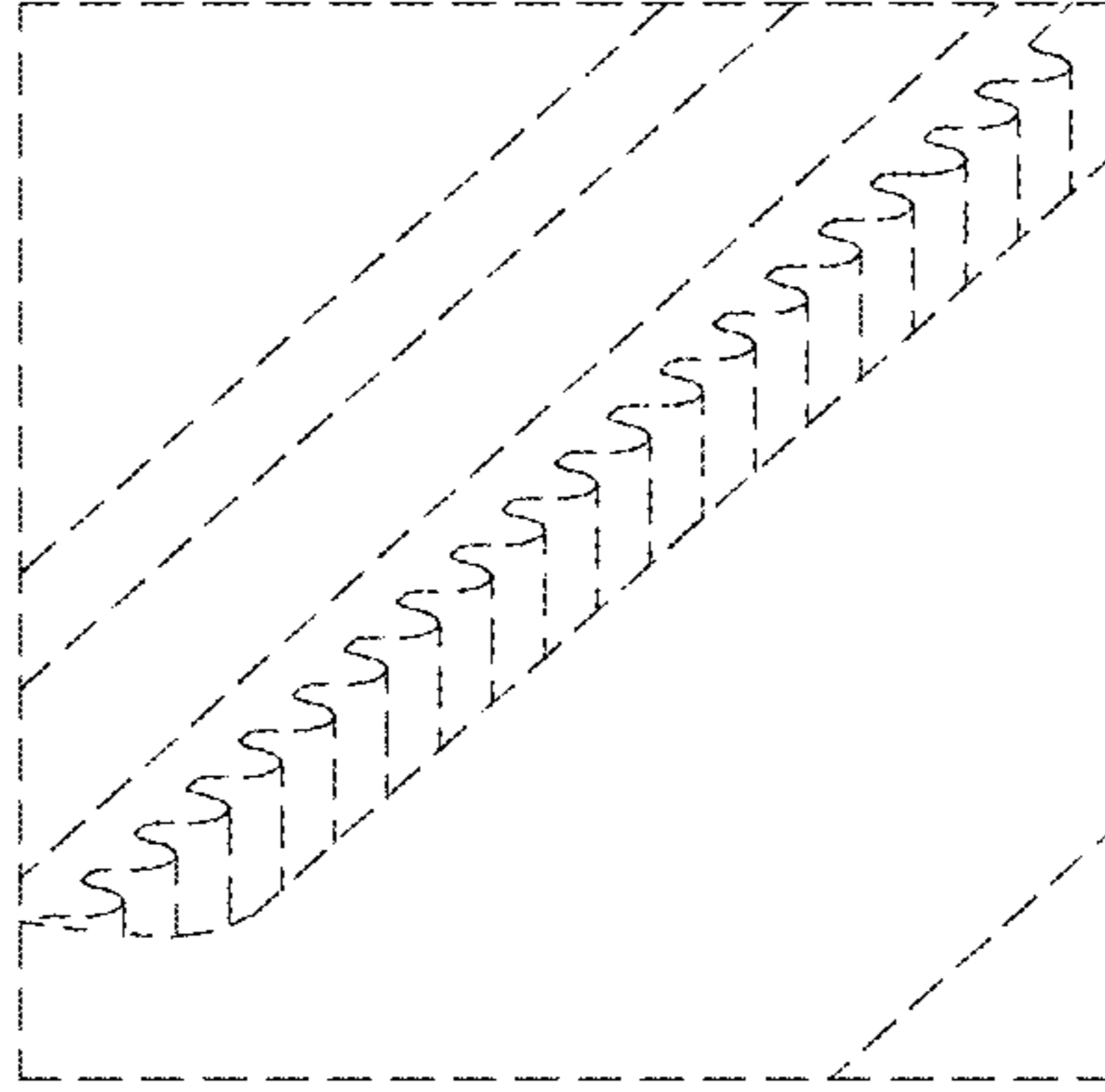


Fig. 8

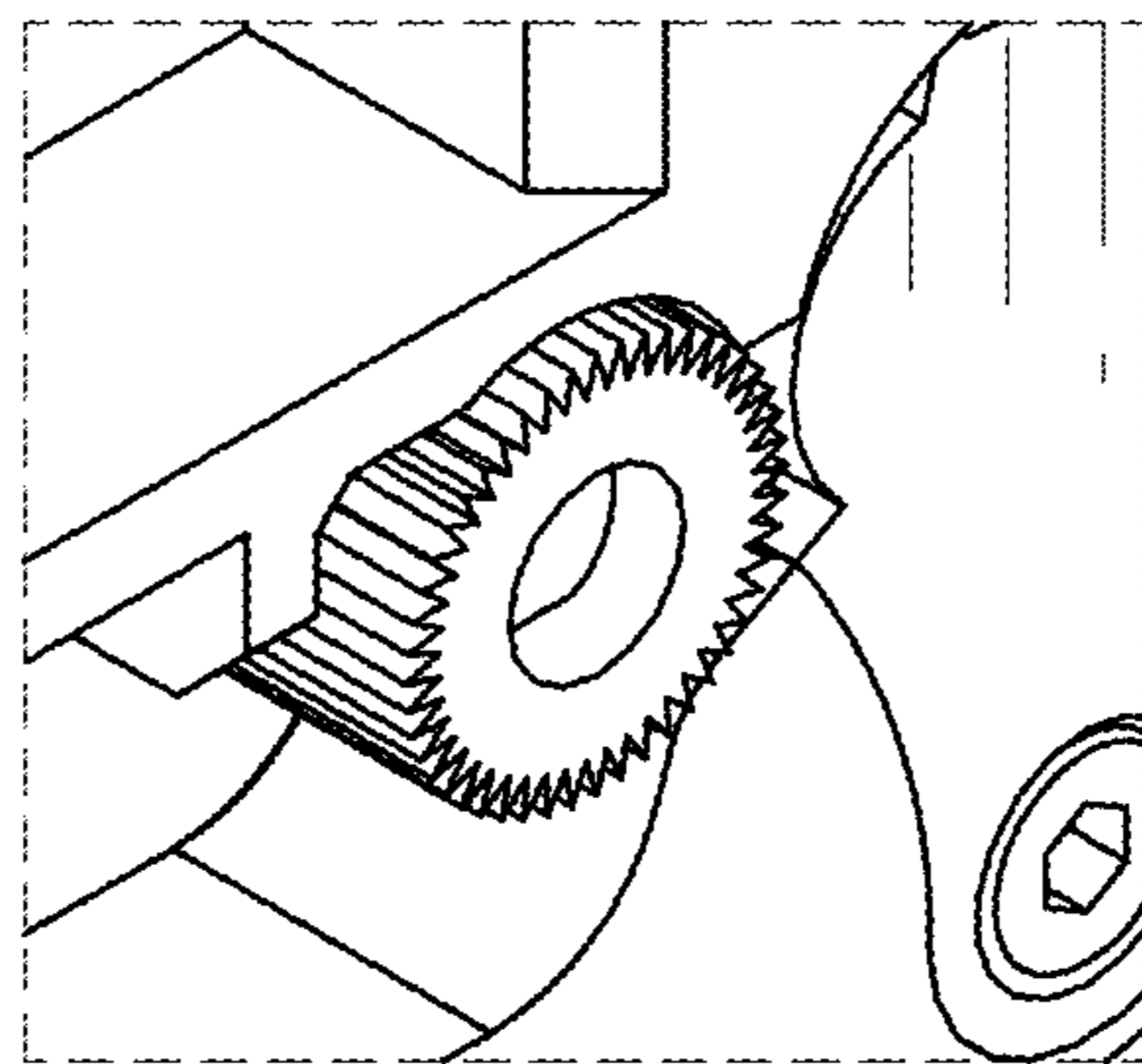


Fig. 9