



US00D871462S

(12) **United States Design Patent**
Svitek et al.

(10) **Patent No.:** **US D871,462 S**

(45) **Date of Patent:** **** Dec. 31, 2019**

(54) **CRANE CAB**

(71) Applicant: **Link-Belt Cranes, L.P., LLLP**,
Lexington, KY (US)

(72) Inventors: **Jason Svitek**, Nicholasville, KY (US);
LeRoy Williams, Winchester, KY (US);
Richard Shultz, Versailles, KY (US);
Rick Curnutte, Lexington, KY (US)

(73) Assignee: **LINK-BELT CRANES, L.P., LLLP**,
Lexington, KY (US)

(**) Term: **15 Years**

(21) Appl. No.: **29/664,651**

(22) Filed: **Sep. 27, 2018**

(51) **LOC (12) Cl.** **15-03**

(52) **U.S. Cl.**
USPC **D15/30**

(58) **Field of Classification Search**
USPC D15/10, 22-26, 28, 30; 180/89.1, 89.12,
180/89.13, 900, 9.1, 9.2, 9.62; 37/379;
414/694, 699, 722-724, 660, 685, 698,
414/719, 743

CPC E02F 3/32; E02F 3/76; E02F 3/40; E02F
3/325; E02F 3/352; E02F 3/384; E02F
3/425; E02F 3/437; E02F 3/627; E02F
3/964; E02F 9/163; E02F 9/0858; E02F
9/0875; E02F 9/2045; E02F 9/006; E02F
9/0808; E02F 9/0833; E02F 9/2004; E02F
9/207; E02F 9/2091; E02F 9/2246; E02F
9/2292

See application file for complete search history.

(56) **References Cited**

U.S. PATENT DOCUMENTS

D272,071 S * 1/1984 Baconet D15/30
D297,329 S * 8/1988 Monehaie D15/30

D304,589 S * 11/1989 Lanphere D15/30
D321,517 S * 11/1991 Katoh D15/30
5,273,340 A * 12/1993 Nelson B62D 33/06
296/190.03
D348,270 S * 6/1994 Lehmann-Brendel D15/10
5,427,185 A * 6/1995 Seal E02F 3/7627
172/197
D366,267 S * 1/1996 Lepoix D15/30
D376,604 S * 12/1996 Johnson D15/30
5,911,624 A * 6/1999 Stauffer B60H 1/00378
454/158
D446,225 S * 8/2001 Brandenburg, III D15/30
D453,023 S * 1/2002 Kaneko D15/21
D455,763 S * 4/2002 Brandenburg, III D15/30
D463,461 S * 9/2002 Yanagida D15/30
D463,462 S * 9/2002 Yanagida D15/30
D464,662 S * 10/2002 Dahl D15/33

(Continued)

Primary Examiner — Mark A Goodwin

(74) *Attorney, Agent, or Firm* — King & Schickli, PLLC

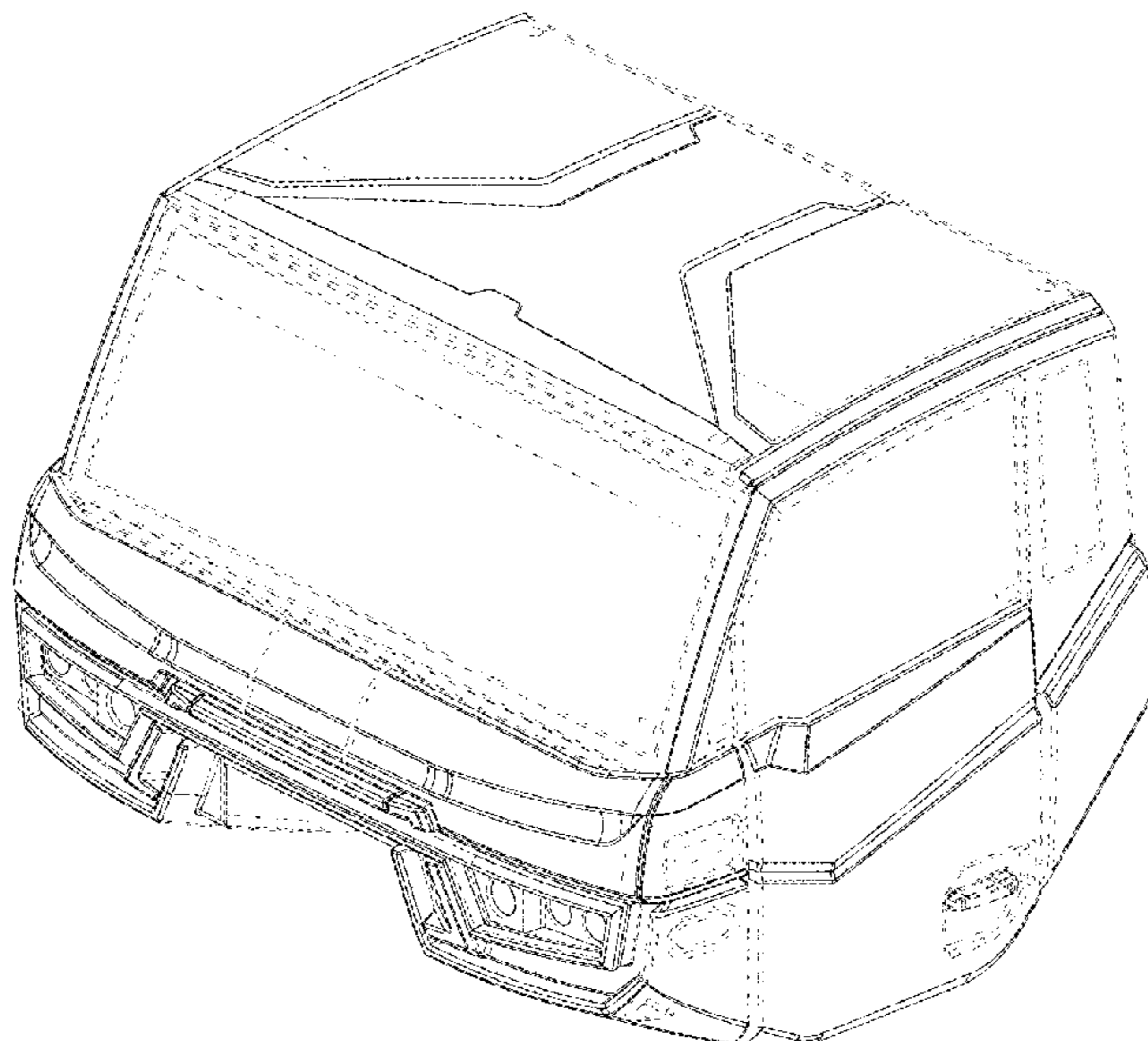
(57) **CLAIM**

The ornamental design for a crane cab, as shown and described.

DESCRIPTION

FIG. 1 is a front elevational view of a crane cab showing our new design;
FIG. 2 is a bottom plan view of the crane cab;
FIG. 3 is a top plan view of the crane cab;
FIG. 4 is a left side elevational view of the crane cab;
FIG. 5 is a top sectional view of the crane cab showing the interior of the crane cab;
FIG. 6 is a bottom plan view of an interior ceiling of the crane cab;
FIG. 7 is a top left perspective view of the crane cab; and,
FIG. 8 is a top right perspective view of the crane cab.
The broken lines showing of elements of the cab or a portion thereof form no part of the claimed design.

1 Claim, 8 Drawing Sheets



(56)

References Cited

U.S. PATENT DOCUMENTS

D479,536 S * 9/2003 Dahl D15/30
 D481,044 S * 10/2003 Tokach D15/30
 D497,920 S * 11/2004 Antonetti D15/30
 D531,646 S * 11/2006 McCarren, Jr. D15/30
 D533,569 S * 12/2006 Mursch D15/28
 D534,927 S * 1/2007 Mursch D15/28
 D541,826 S * 5/2007 Brush D15/30
 D549,245 S * 8/2007 Antonetti D15/30
 D594,480 S * 6/2009 Gicquel D15/30
 D614,674 S * 4/2010 Hobenshield D15/30
 D625,741 S * 10/2010 Seidel D15/30
 D636,795 S * 4/2011 Yamamoto D15/28
 D637,630 S * 5/2011 Yamamoto D15/30
 D642,205 S * 7/2011 Yamamoto D15/30
 D653,173 S * 1/2012 Dolesh D12/96
 D654,400 S * 2/2012 Dolesh D12/96
 D660,881 S * 5/2012 Bohme D15/30
 D668,693 S * 10/2012 Ringer D15/30

D671,566 S * 11/2012 Fang D15/30
 D684,607 S * 6/2013 Hagura D15/30
 D687,868 S * 8/2013 Watson D15/30
 D691,924 S * 10/2013 Smith D12/96
 D707,728 S * 6/2014 Imashige D15/30
 D714,837 S * 10/2014 Jacobsthal D15/30
 D720,370 S * 12/2014 Carter D15/30
 D749,649 S * 2/2016 McAdam D15/30
 D751,123 S * 3/2016 Kazakoff D15/30
 D762,248 S * 7/2016 Steinhardt D15/30
 D773,537 S * 12/2016 Fiser D15/30
 D774,111 S * 12/2016 Underhill D15/30
 D774,112 S * 12/2016 Fiser D15/30
 D775,244 S * 12/2016 Hart D15/30
 D780,231 S * 2/2017 Saari D15/30
 D780,232 S * 2/2017 Saari D15/30
 D780,235 S * 2/2017 Kim D15/30
 D784,425 S * 4/2017 Cooksey D15/30
 D835,160 S * 12/2018 Jilbert D15/25
 D849,062 S * 5/2019 Jilbert D15/25

* cited by examiner

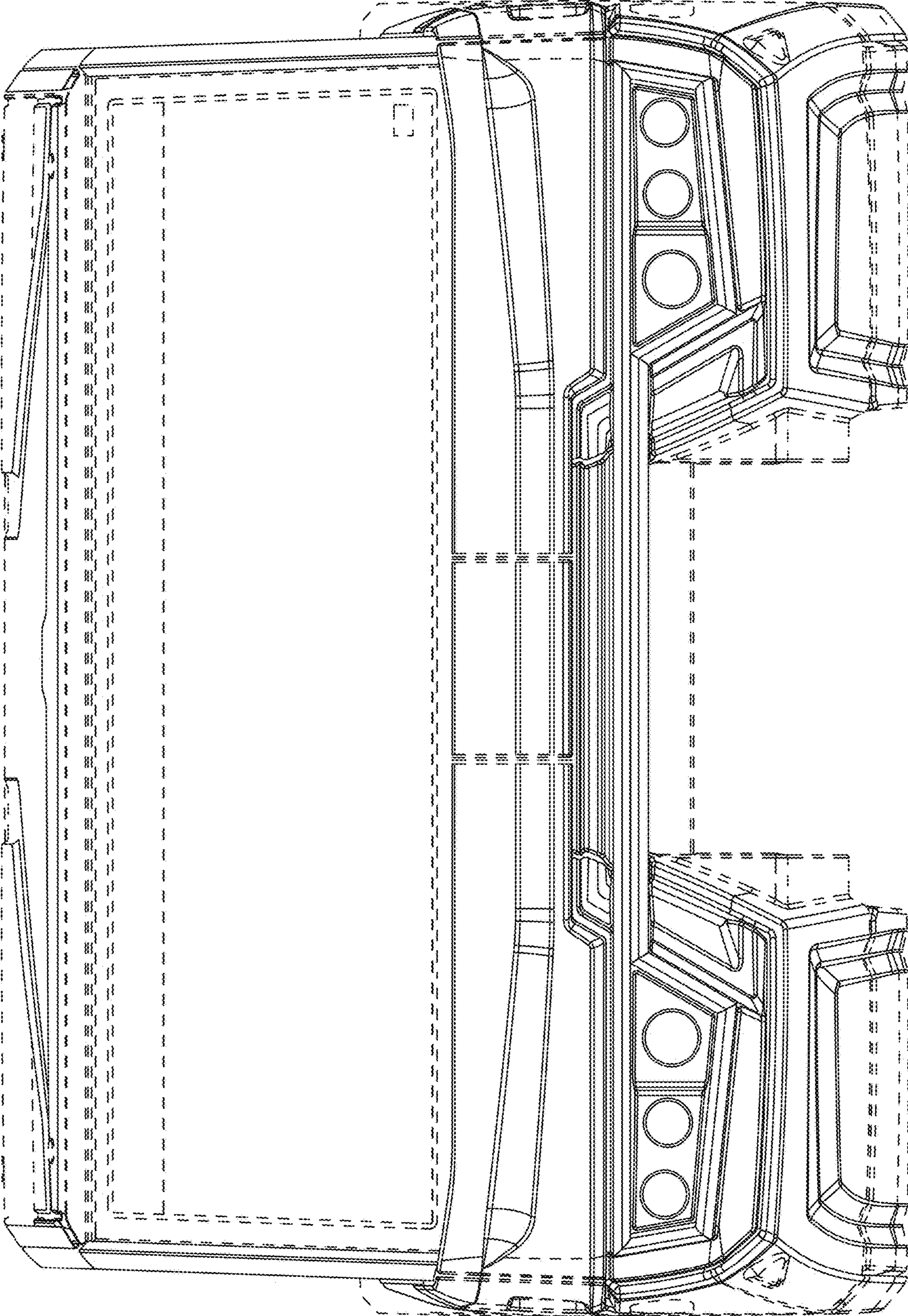


FIG. 1

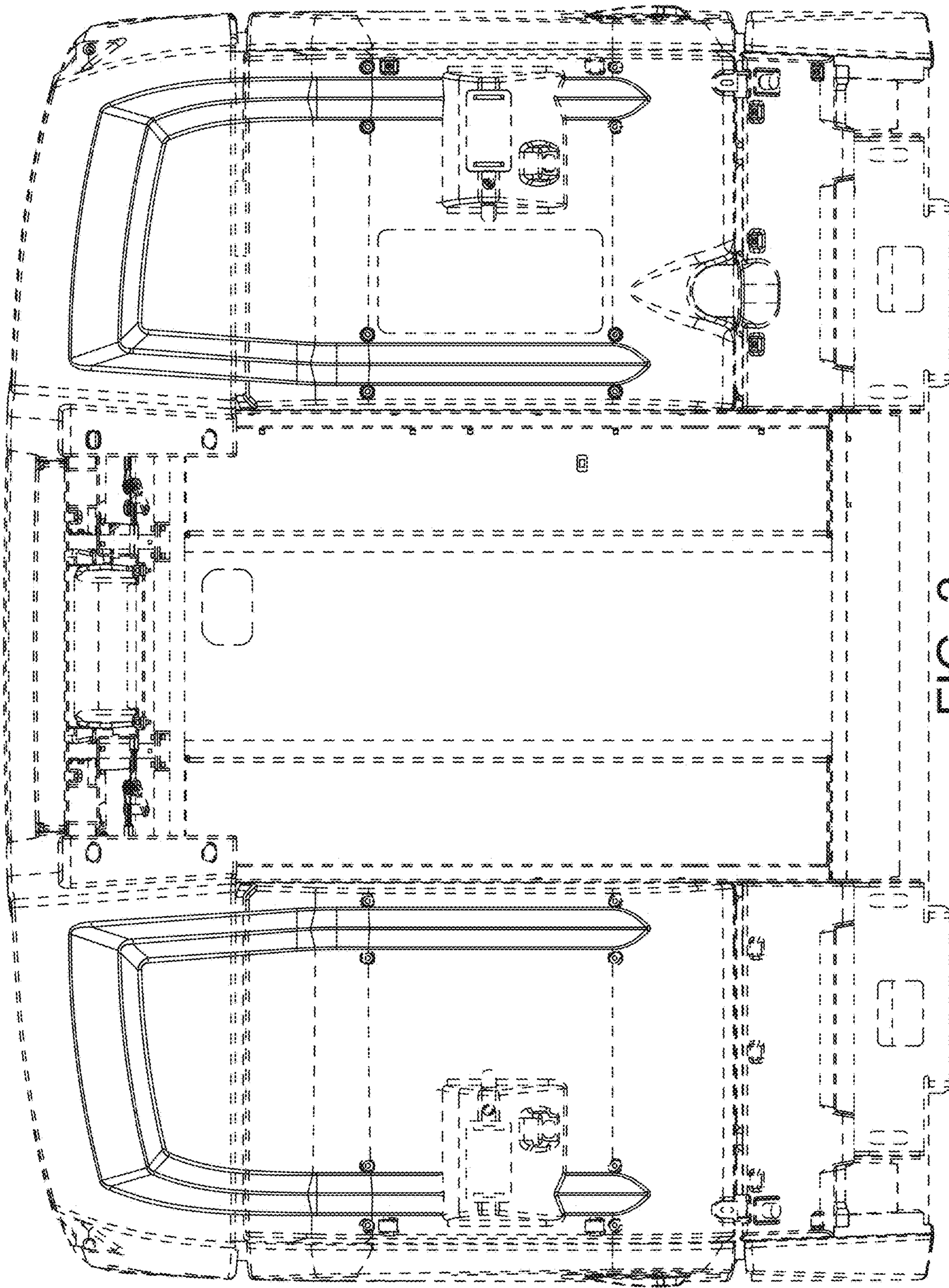


FIG. 2

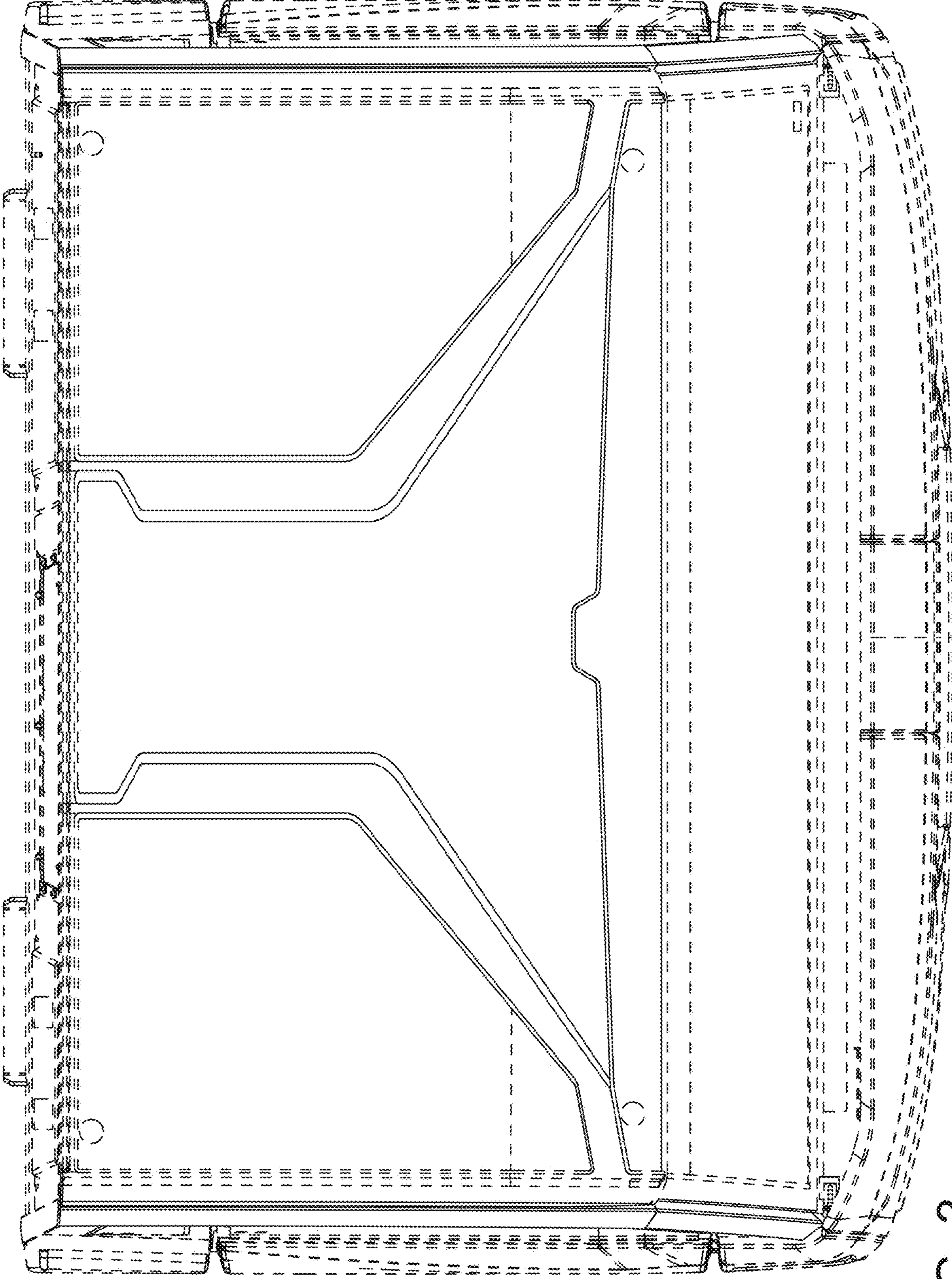


FIG. 3

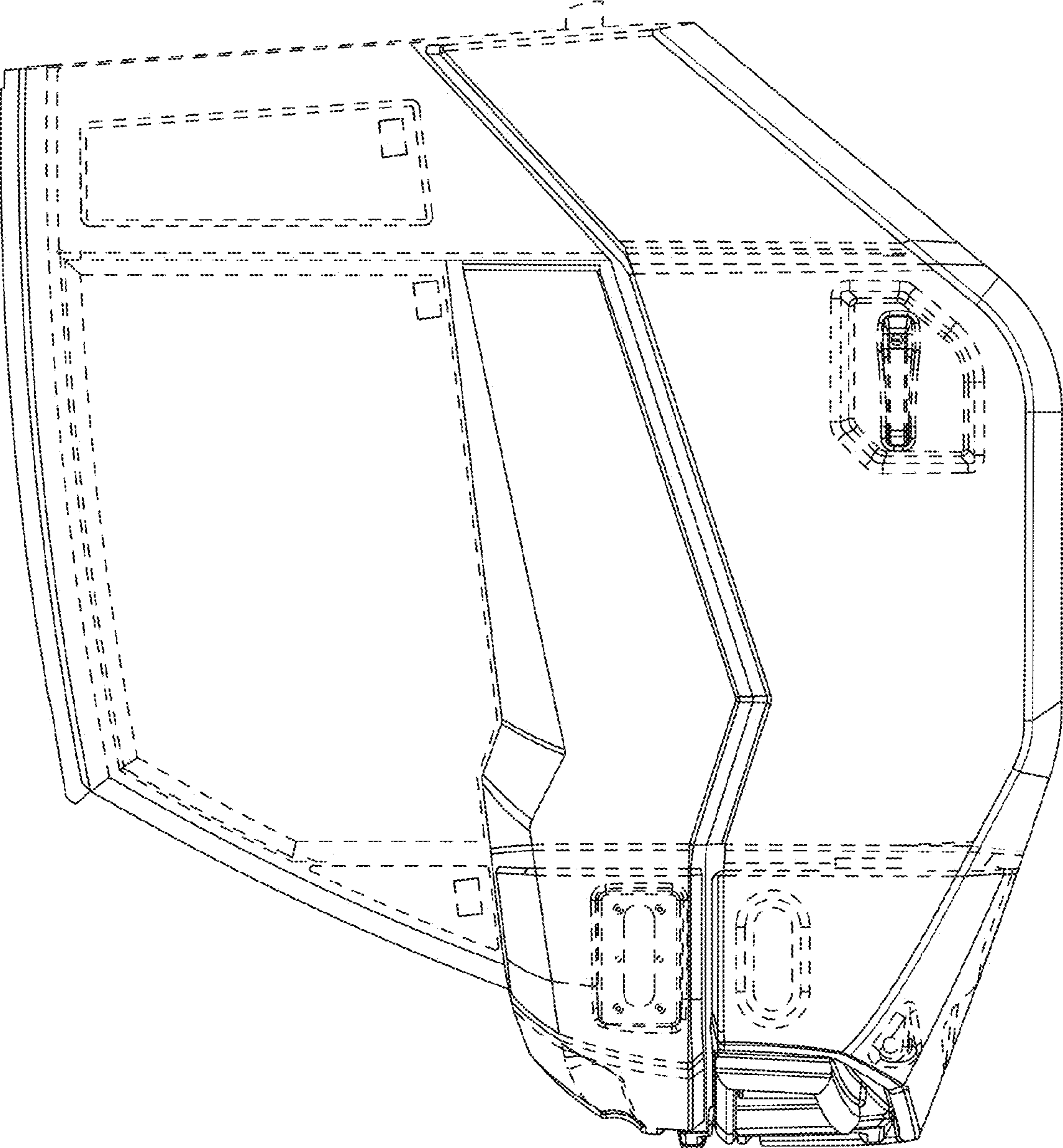


FIG. 4

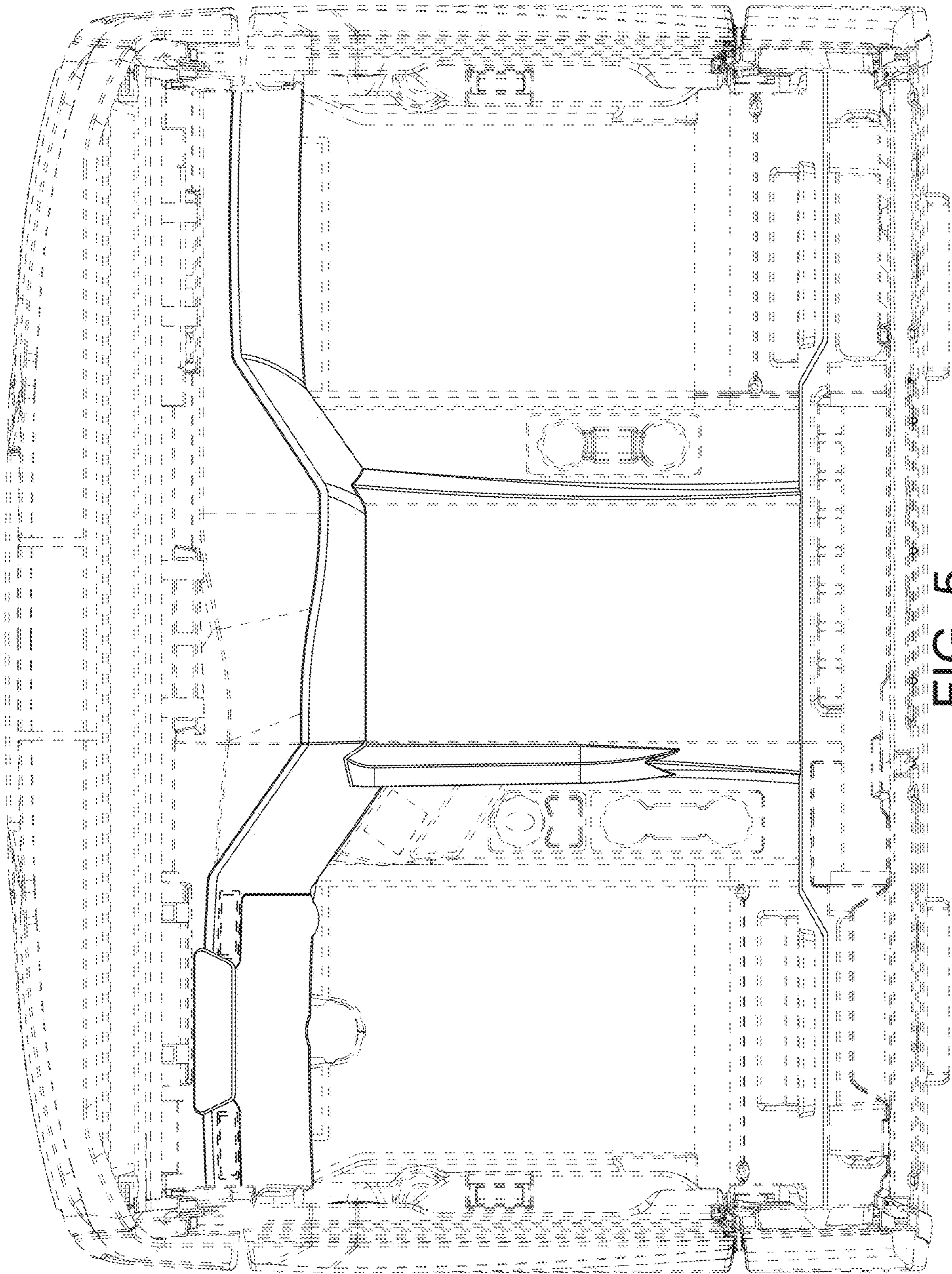


FIG. 5

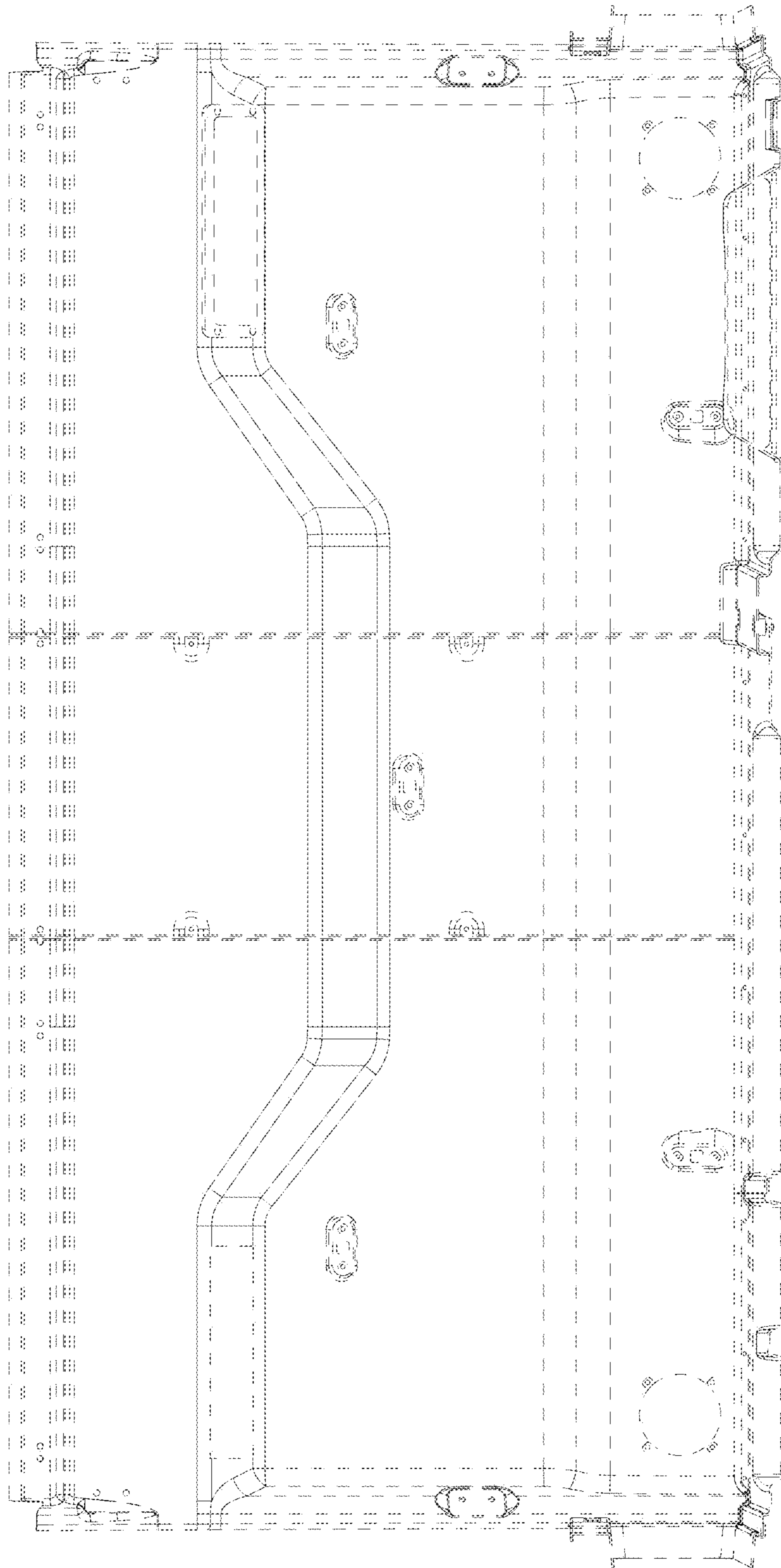


FIG. 6

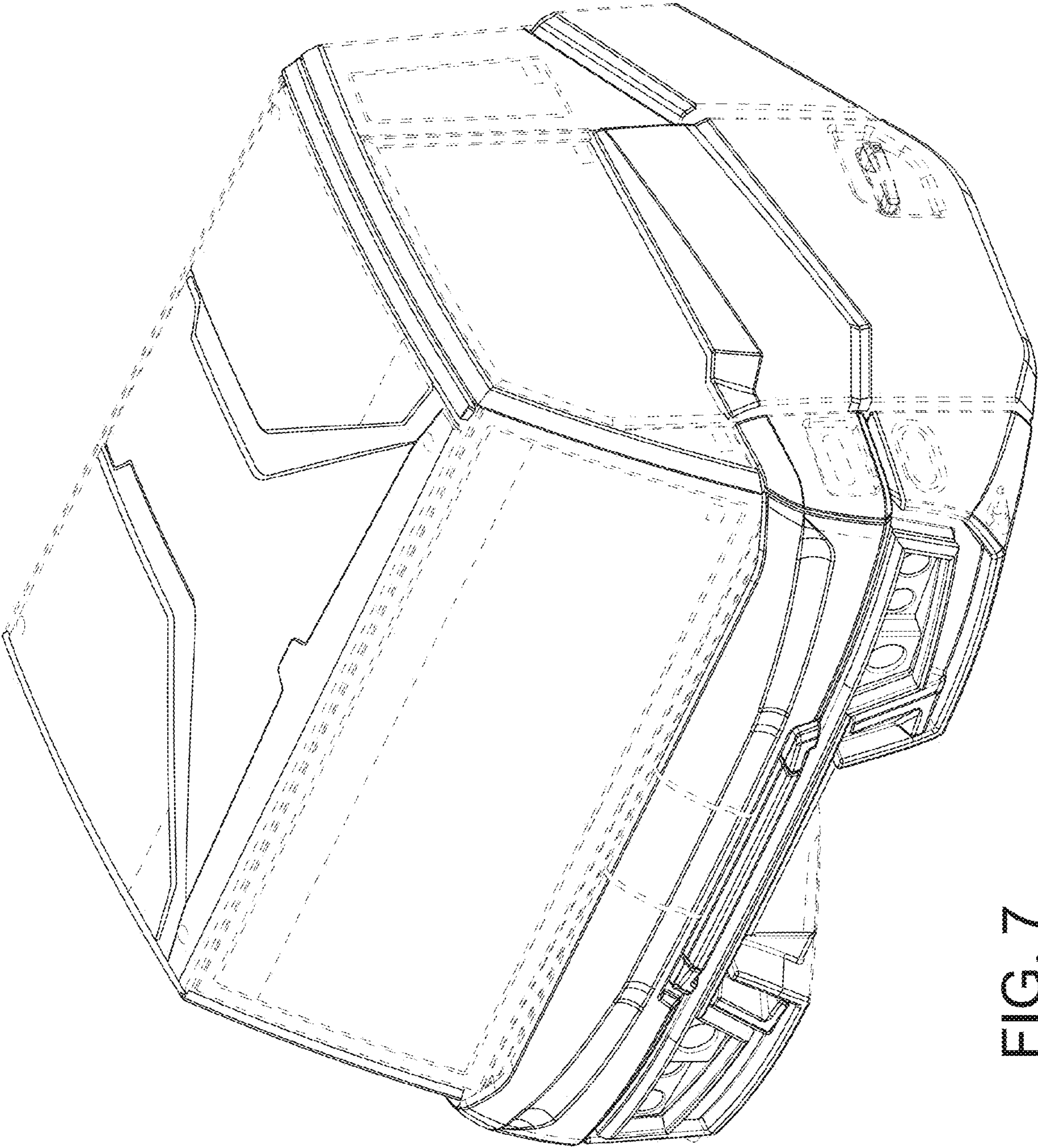


FIG. 7

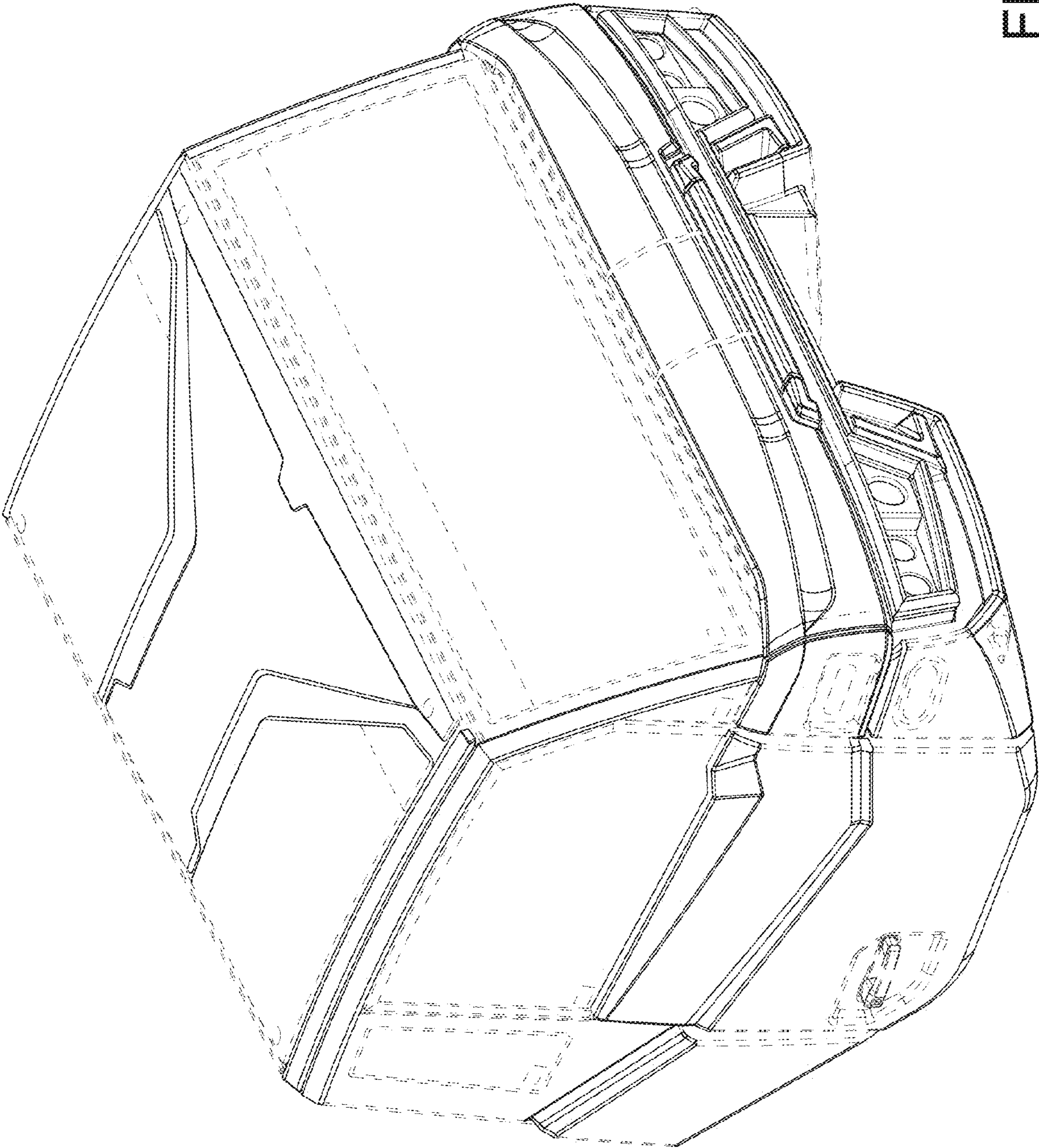


FIG. 8