



US00D871460S

(12) **United States Design Patent** (10) **Patent No.:** **US D871,460 S**  
**Bleeker** (45) **Date of Patent:** **\*\* Dec. 31, 2019**

(54) **TILT HOUSING OF A DOWNHOLE  
ADJUSTABLE DRILLING INCLINATION  
TOOL**

FOREIGN PATENT DOCUMENTS

AU 2013399114 A 2/2016  
CA 1157005 A1 11/1983

(Continued)

(71) Applicant: **Smart Downhole Tools B.V.**, Alkmaar  
(NL)

OTHER PUBLICATIONS

(72) Inventor: **Johannes Thomas Bleeker**, Hilversum  
(NL)

International Search Report of the International Searching Authority  
(EPO) for international application PCT/EP2016/069046 dated Mar.  
17, 2017.

(73) Assignee: **SMART DOWNHOLE TOOLS B.V.**,  
Alkmaar (NL)

(Continued)

(\*\*) Term: **15 Years**

*Primary Examiner* — Mark A Goodwin

(74) *Attorney, Agent, or Firm* — Angelo IP; Basil M.  
Angelo

(21) Appl. No.: **29/571,601**

(57) **CLAIM**

(22) Filed: **Jul. 20, 2016**

The ornamental design for a tilt housing of a downhole  
adjustable drilling inclination tool, as shown.

(51) **LOC (12) Cl.** ..... **15-03**

**DESCRIPTION**

(52) **U.S. Cl.**

USPC ..... **D15/21**

(58) **Field of Classification Search**

USPC ..... D15/21; 175/73, 74, 61

CPC ..... E21B 7/067; E21B 7/068; E21B 7/062;

E21B 7/04-10; E21B 21/08; E21B

47/02-026; E21B 23/006; E21B 23/04;

E21B 23/06; E21B 23/08; E21B 17/1014;

E21B 17/00; E21B 3/00

See application file for complete search history.

FIG. 1 shows a rear elevation view of a tilt housing of a  
downhole adjustable drilling inclination tool showing my  
new design;

FIG. 2 shows a front elevation view thereof;

FIG. 3 shows a left side elevation view thereof;

FIG. 4 shows a right side elevation view thereof;

FIG. 5 shows a top plan view thereof;

FIG. 6 shows a bottom plan view thereof;

FIG. 7 shows a rear perspective view thereof;

FIG. 8 shows a front perspective view thereof; and,

FIG. 9 shows a reduced front perspective view thereof in an  
in use condition. The broken line showing of the downhole  
adjustable drilling inclination tool is for environmental  
purposes only and forms no part of the claimed design.

The broken line showing of various surface features on  
FIGS. 1-9 is included for the purpose of illustrating portions  
of the tilt housing of a downhole adjustable drilling incli-  
nation tool and forms no part of the claimed design.

(56) **References Cited**

U.S. PATENT DOCUMENTS

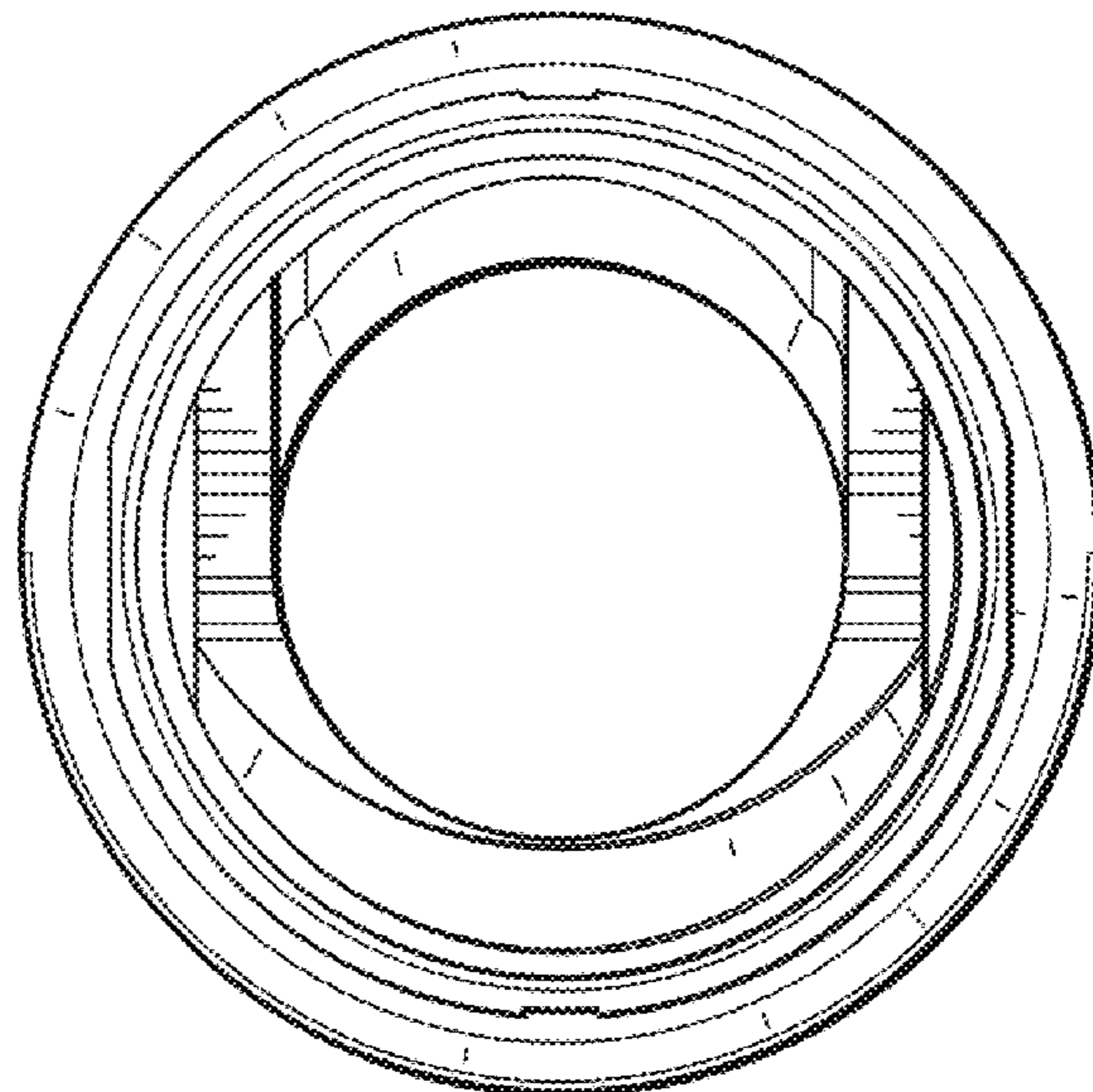
2,819,039 A 1/1958 G et al.

4,884,643 A 12/1989 Wawrzynowski et al.

4,932,482 A \* 6/1990 DeLucia ..... E21B 4/02  
175/107

(Continued)

**1 Claim, 6 Drawing Sheets**



(56)

**References Cited**

U.S. PATENT DOCUMENTS

5,029,654 A \* 7/1991 Wilson ..... E21B 7/067  
175/256  
5,125,463 A \* 6/1992 Livingstone ..... E21B 7/067  
166/237  
5,363,929 A \* 11/1994 Williams ..... E21B 4/02  
175/107  
5,450,914 A 9/1995 Coram  
5,503,235 A 4/1996 Falgout  
5,535,835 A \* 7/1996 Walker ..... E21B 7/067  
175/73  
5,542,482 A \* 8/1996 Eddison ..... E21B 7/068  
175/61  
5,617,926 A \* 4/1997 Eddison ..... E21B 7/067  
175/61  
5,638,910 A \* 6/1997 Noe ..... E21B 7/067  
175/320  
5,725,061 A \* 3/1998 Van Steenwyk ..... E21B 4/02  
175/104  
5,727,641 A \* 3/1998 Eddison ..... E21B 7/068  
175/76  
5,735,357 A \* 4/1998 Palm ..... E21B 7/067  
175/61  
5,857,531 A \* 1/1999 Estep ..... E21B 4/02  
175/101  
5,893,413 A \* 4/1999 Lembcke ..... E21B 23/04  
166/66.6  
5,894,896 A \* 4/1999 Smith ..... E21B 7/06  
175/322

5,899,281 A \* 5/1999 Gynz-Rekowski ..... E21B 7/067  
175/101  
5,934,383 A \* 8/1999 Jurgens ..... E21B 7/06  
173/91  
5,941,323 A \* 8/1999 Warren ..... E21B 7/062  
175/74  
6,109,372 A \* 8/2000 Dorel ..... E21B 47/08  
175/61  
6,328,119 B1 12/2001 Gillis et al.  
RE39,970 E 1/2008 Askew  
8,919,458 B2 \* 12/2014 Plop ..... E21B 7/062  
175/61  
9,556,678 B2 \* 1/2017 Schaaf ..... E21B 7/06

FOREIGN PATENT DOCUMENTS

CA	2072552	A1	12/1992
CN	102080503	B	11/2013
EP	0497421	A1	8/1992
GB	2442303	A	4/2008
WO	2008037947	A1	4/2008
WO	2010016862	A1	2/2010
WO	2014137543		3/2015
WO	2015061047	A1	4/2015
WO	2015057217		3/2016
WO	2016043719	A1	3/2016

OTHER PUBLICATIONS

Written Opinion of the International Searching Authority (EPO) for international application PCT/EP2016/069046 dated Mar. 17, 2017.

\* cited by examiner

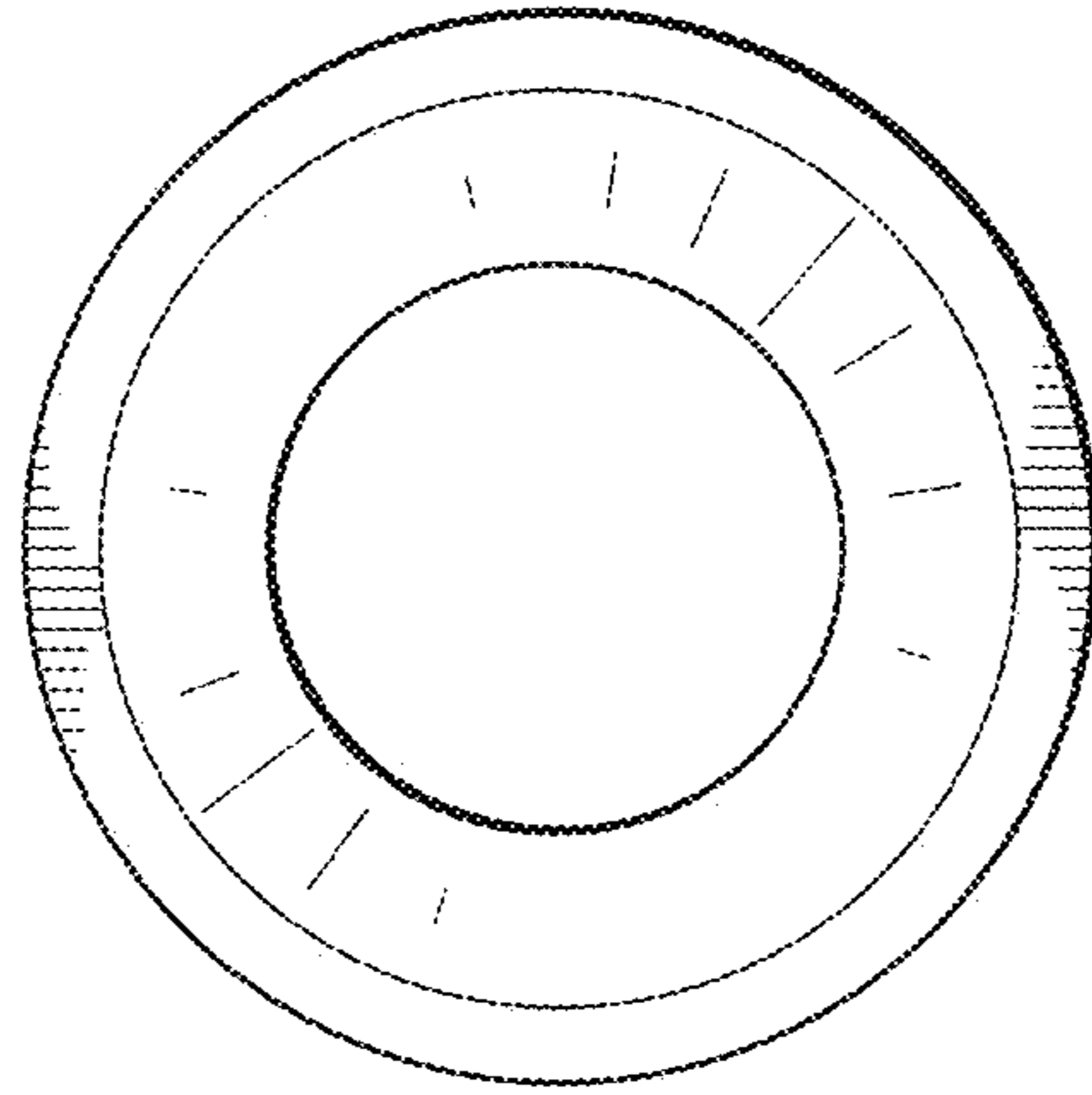


FIG. 2

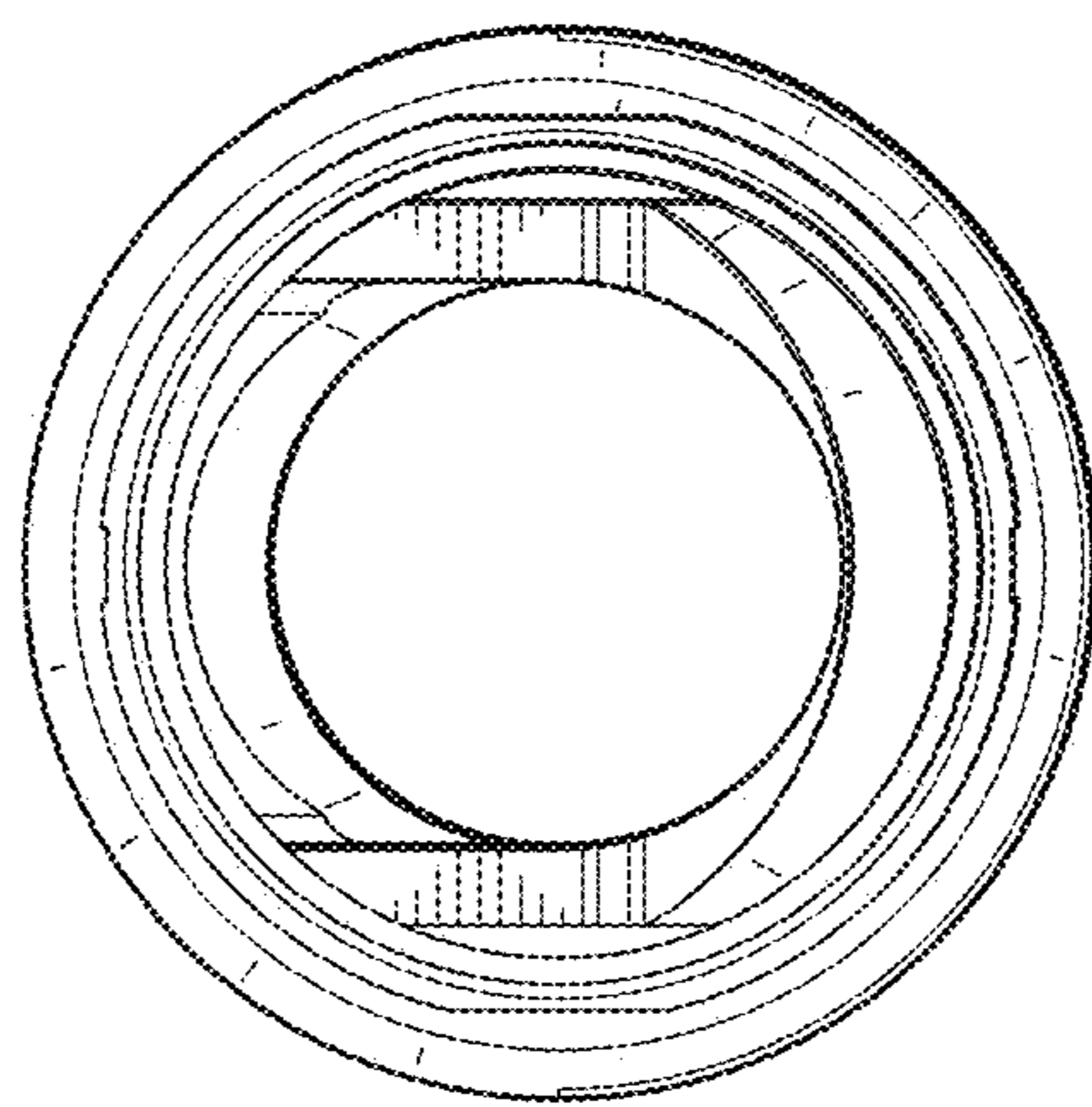


FIG. 1



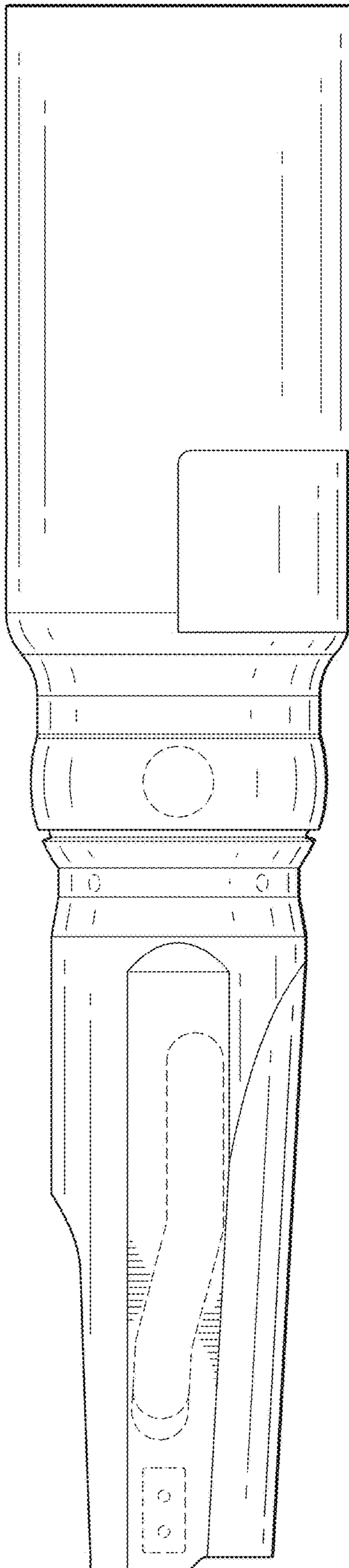


FIG. 3

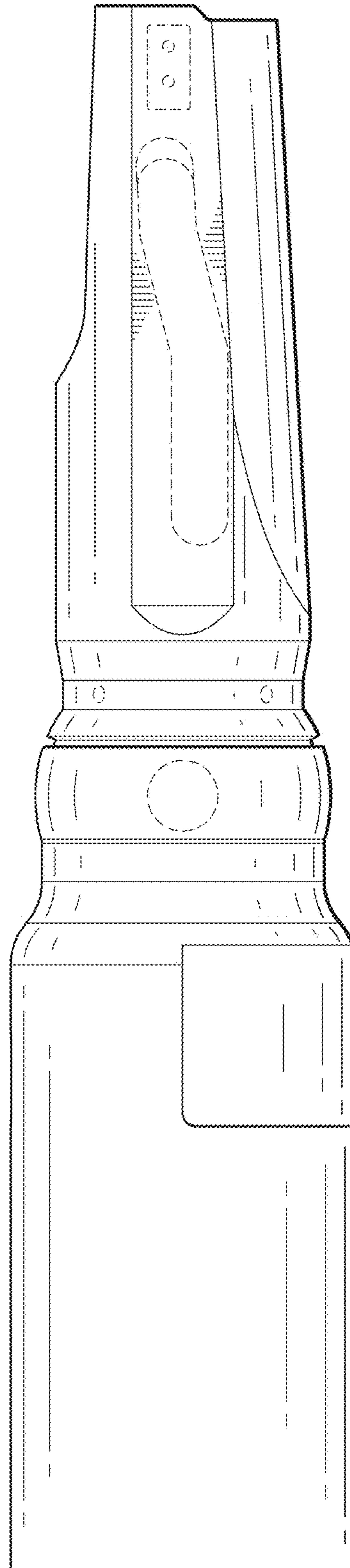


FIG. 4

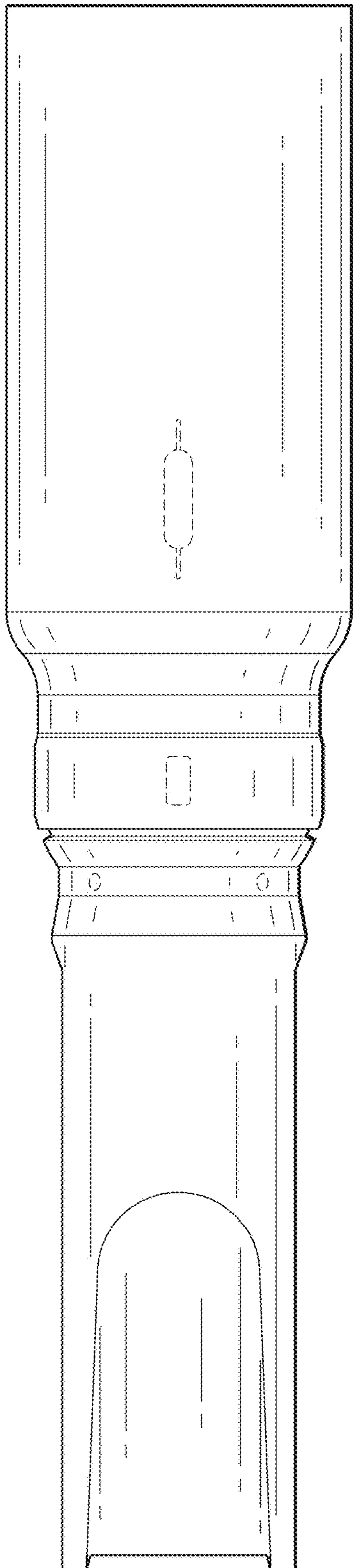


FIG. 5

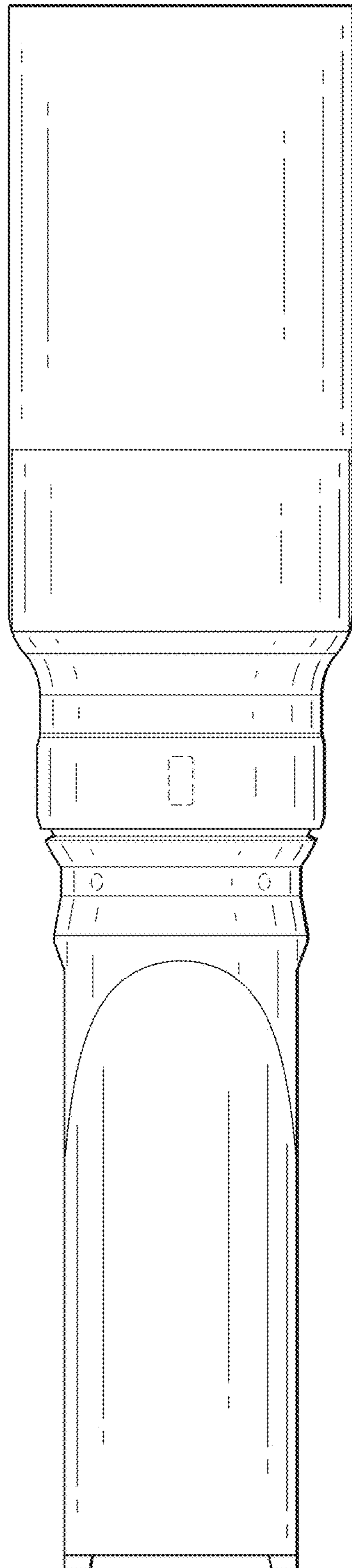


FIG. 6

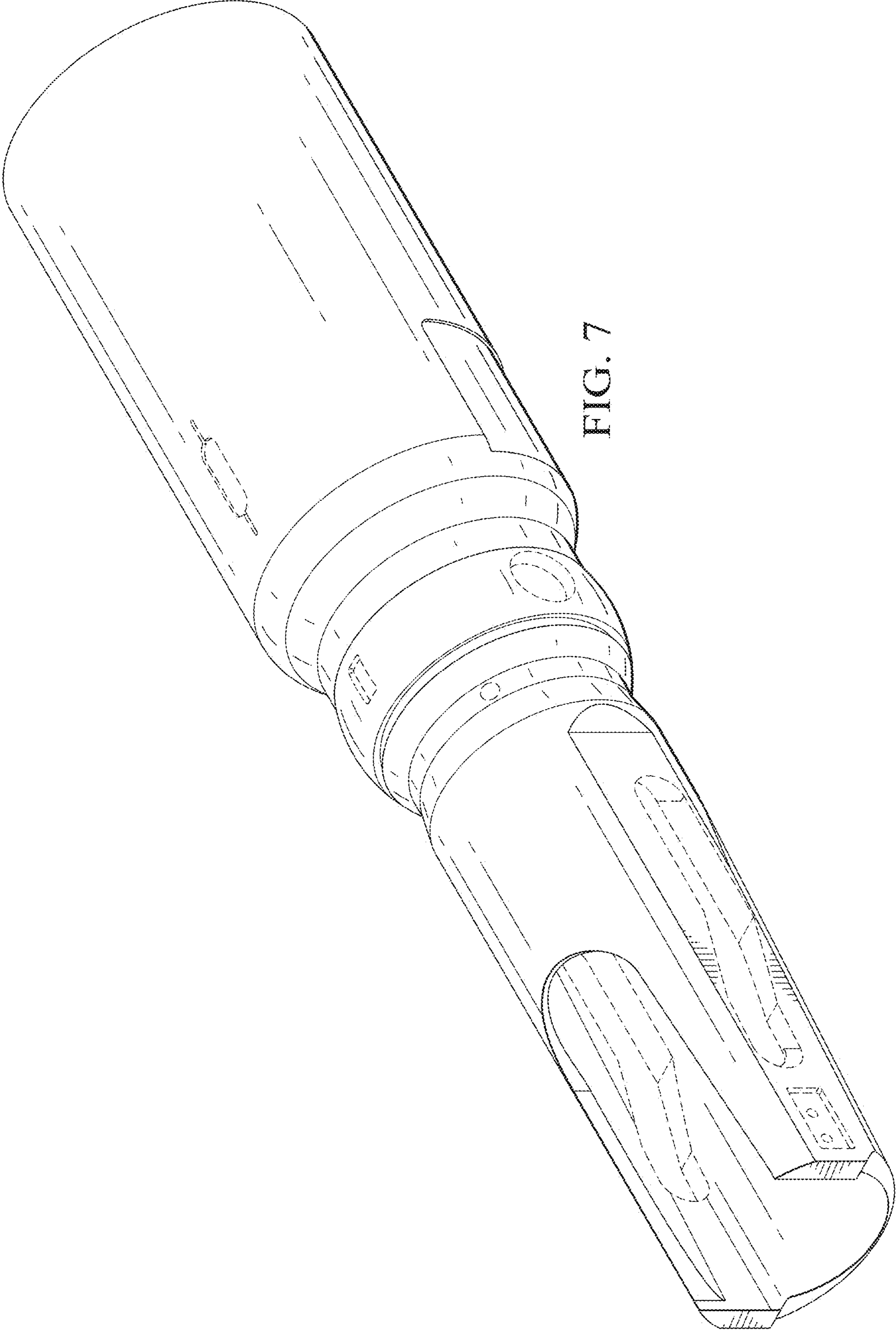


FIG. 7

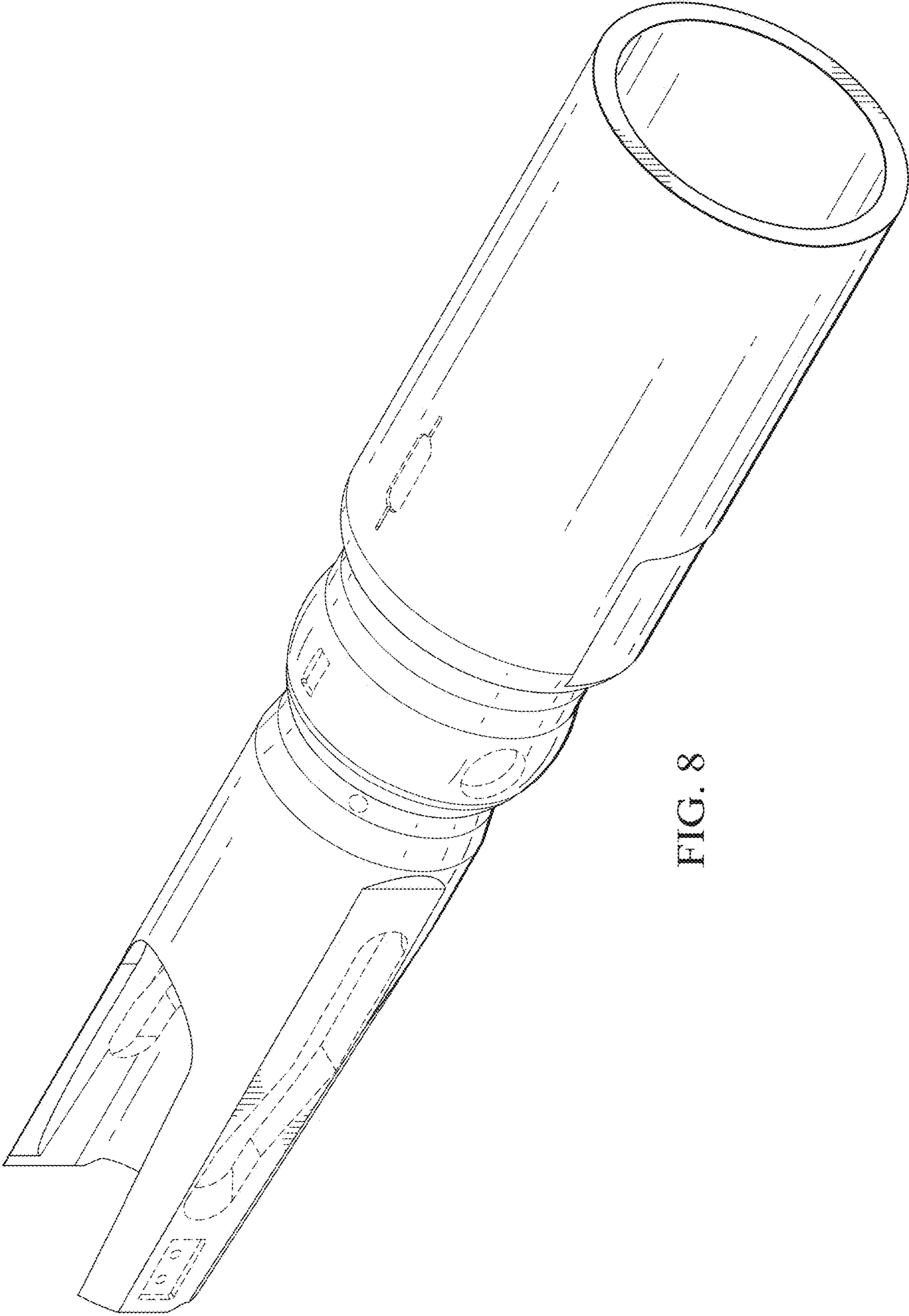


FIG. 8

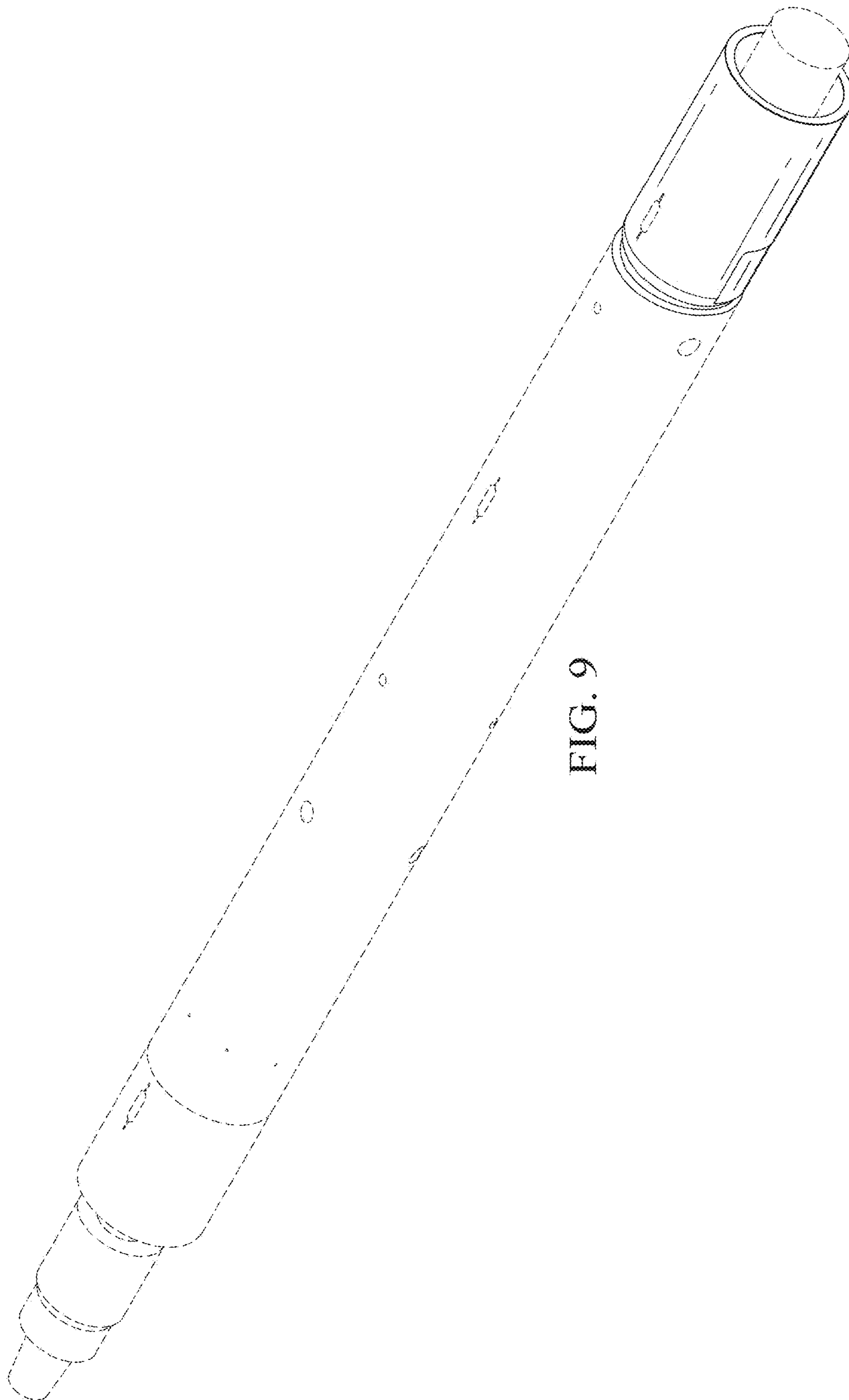


FIG. 9