



US00D871459S

(12) **United States Design Patent**
Ebadian et al.

(10) **Patent No.:** **US D871,459 S**

(45) **Date of Patent:** **** Dec. 31, 2019**

- (54) **MILL CORE BED KNIFE**
- (71) Applicant: **Phiston Technologies, Inc.**, Miami, FL (US)
- (72) Inventors: **M. Ali Ebadian**, Miami, FL (US);
William Olliges, Palm City, FL (US)
- (73) Assignee: **Phiston Technologies, Inc.**, Miami, FL (US)

D555,443	S *	11/2007	Hunt	D8/20
D602,752	S *	10/2009	Luciano, Jr.	D8/20
8,011,081	B1 *	9/2011	Coffin	A01D 34/62
					29/525.14
D745,352	S *	12/2015	Tyner	D8/20
9,636,838	B2 *	5/2017	Evans	A01G 3/002
D803,271	S *	11/2017	Fredricks	A01D 34/44
					D15/17
2005/0246885	A1 *	11/2005	Mahan	A01D 34/52
					29/557
2007/0157476	A1 *	7/2007	Hunt	A47L 13/08
					30/355
2009/0100818	A1 *	4/2009	Thier	A01D 34/62
					56/249

(**) Term: **15 Years**

(21) Appl. No.: **29/554,368**

* cited by examiner

(22) Filed: **Feb. 11, 2016**

Primary Examiner — Sandra S Snapp

(51) **LOC (12) Cl.** **15-03**

Assistant Examiner — Ieisha N Price

(52) **U.S. Cl.**
USPC **D15/17; D15/29**

(74) *Attorney, Agent, or Firm* — McHale & Slavin, P.A.

(58) **Field of Classification Search**
USPC D15/28, 29, 11, 21, 27, 17; D8/16, 19,
D8/20, 95, 96, 99
CPC A01D 34/001; A01D 34/42; A01D 34/62;
A01D 34/14; A01D 34/135; A01D 34/13;
B23D 65/04; B26D 1/38; B23Q 1/015;
Y10T 83/9399

(57) **CLAIM**

The ornamental design for a mill core bed knife, as shown and described.

See application file for complete search history.

DESCRIPTION

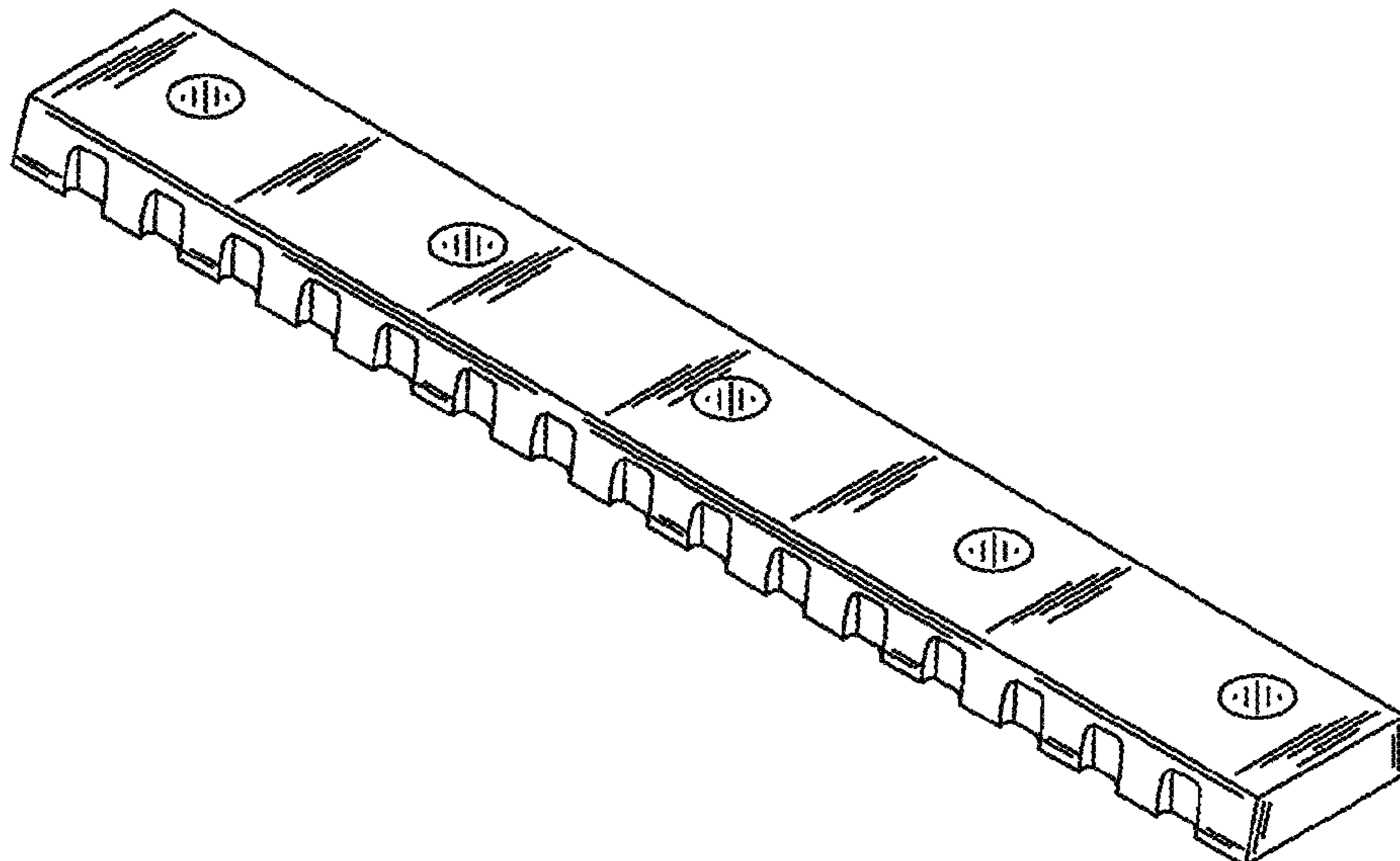
FIG. 1 is a perspective view of a mill core bed knife of the instant invention;
FIG. 2 is a rear side view thereof;
FIG. 3 is a front side view thereof;
FIG. 4 is a top view thereof;
FIG. 5 is a bottom view thereof;
FIG. 6 is a right end view thereof;
FIG. 7 is a left end view thereof; and,
FIG. 8 is a perspective view illustrating the mill core bed knife stacked.
The broken lines showing in FIG. 8 represents the environment of the claimed design and forms no part thereof.

(56) **References Cited**

U.S. PATENT DOCUMENTS

1,969,103	A *	8/1934	Sheridan	A01D 34/42
					30/346
2,044,159	A *	6/1936	Durst	A01D 34/62
					56/238
2,762,187	A *	9/1956	Fortis	A01D 34/62
					56/238
5,297,746	A *	3/1994	McBride	B02C 18/148
					241/242
5,822,966	A *	10/1998	Snell	A01D 34/62
					56/249
D406,153	S *	2/1999	Holzer	D15/32

1 Claim, 3 Drawing Sheets



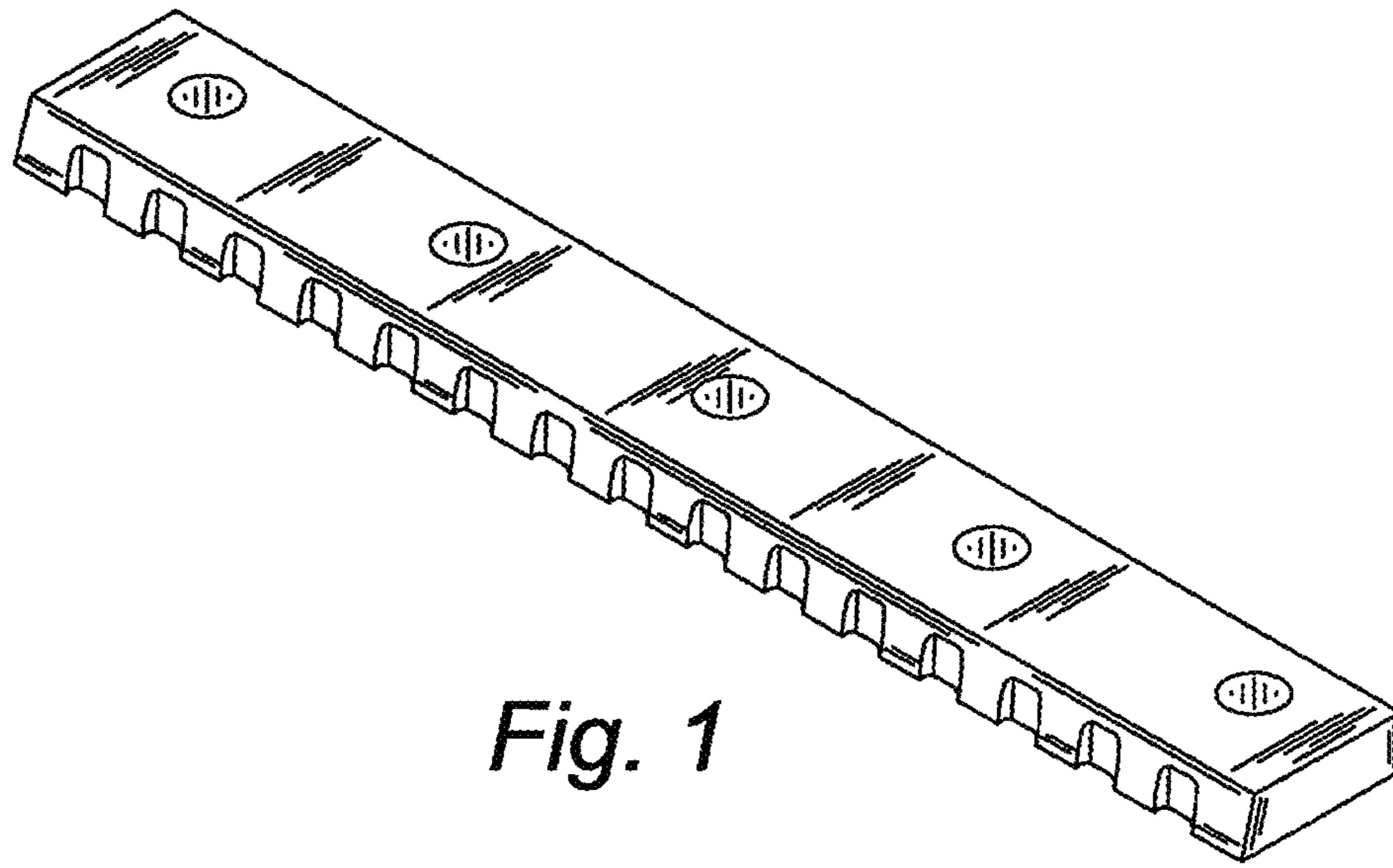


Fig. 1

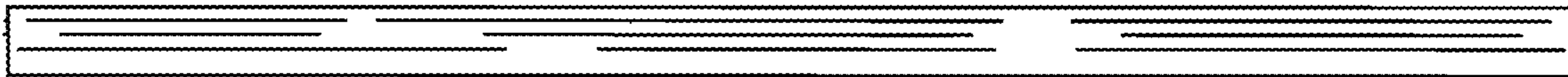


Fig. 2



Fig. 3

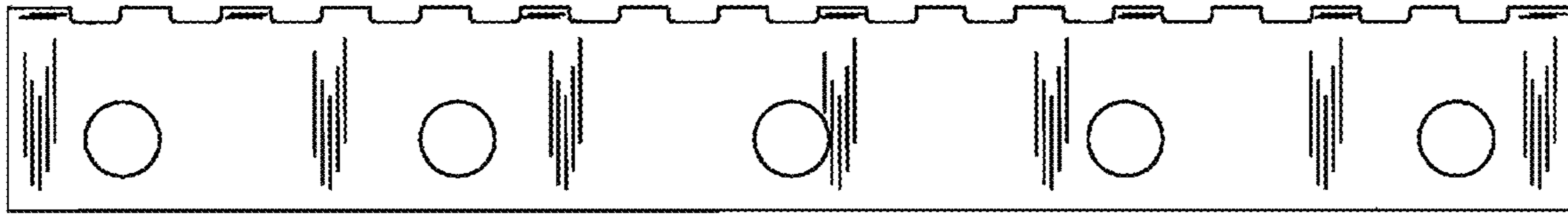


Fig. 4

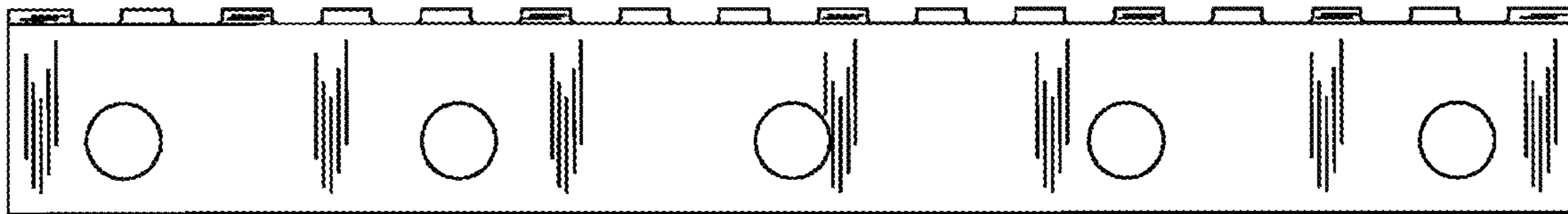


Fig. 5



Fig. 6



Fig. 7

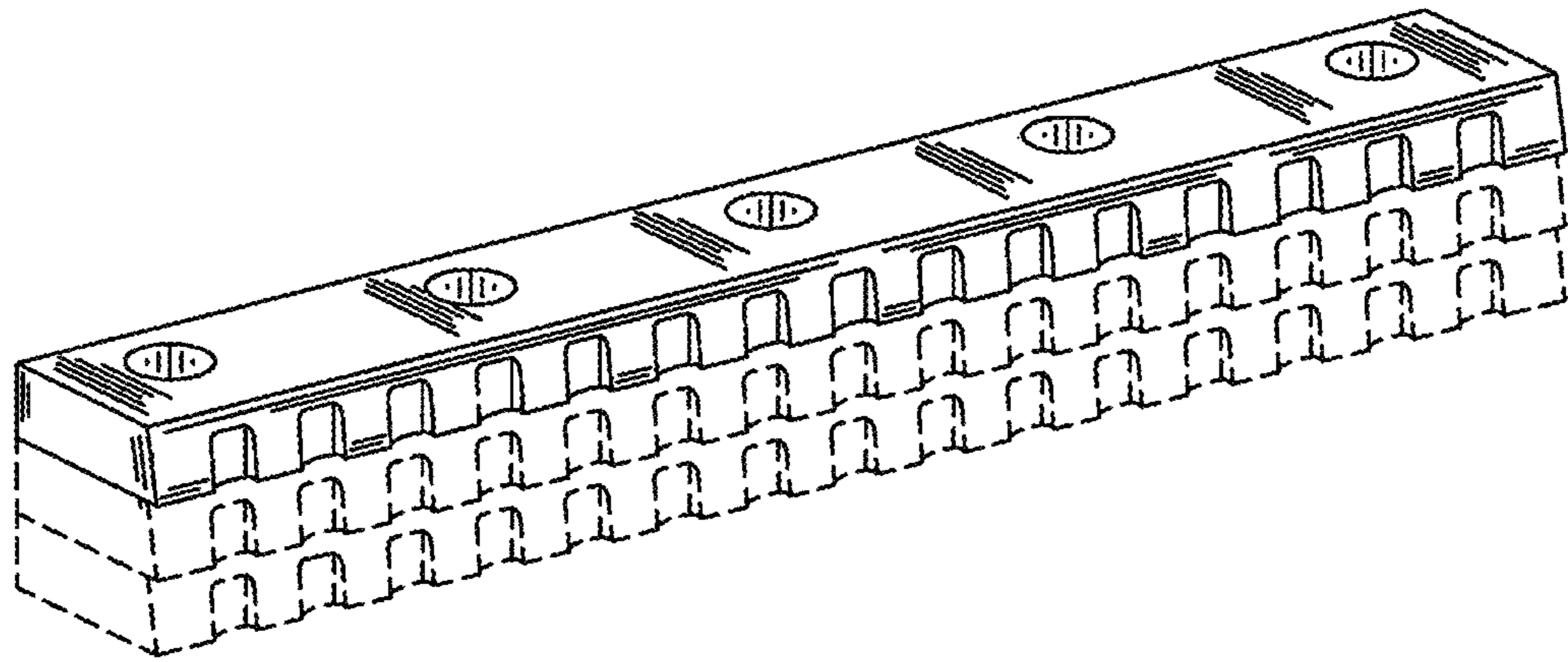


Fig. 8