



US00D871457S

(12) **United States Design Patent**
Ikari et al.

(10) **Patent No.:** **US D871,457 S**
(45) **Date of Patent:** **** Dec. 31, 2019**

- (54) **FLUID PRESSURE CYLINDER**
- (71) Applicant: **SMC CORPORATION**, Tokyo (JP)
- (72) Inventors: **Tetsuya Ikari**, Moriya (JP); **Tsuyoshi Asaba**, Abiko (JP); **Makoto Yaegashi**, Tsukubamirai (JP); **Tsukasa Odaka**, Tsukubamirai (JP)
- (73) Assignee: **SMC CORPORATION**, Tokyo (JP)
- (**) Term: **15 Years**
- (21) Appl. No.: **29/666,953**
- (22) Filed: **Oct. 17, 2018**
- (30) **Foreign Application Priority Data**

Apr. 18, 2018 (JP) 2018-008511

- (51) **LOC (12) Cl.** **15-02**
- (52) **U.S. Cl.**
USPC **D15/7**
- (58) **Field of Classification Search**
USPC D15/149, 148, 7, 143, 5, 9, 199;
D23/233, 235; 92/169.1, 177, 171.1, 27,
92/28, 394
CPC F15B 15/149; F15B 15/1447; F15B
15/1428; F16J 10/02
See application file for complete search history.

(56) **References Cited**
U.S. PATENT DOCUMENTS

- D480,405 S * 10/2003 Kleffmann D15/143
- D597,112 S * 7/2009 Takeuchi D15/143
- D643,855 S * 8/2011 Taniguchi D15/7

- D643,856 S * 8/2011 Taniguchi D15/7
- D682,901 S * 5/2013 Peschel D15/143
- D699,759 S * 2/2014 Peschel D15/7
- D699,760 S * 2/2014 Peschel D15/7
- D699,761 S * 2/2014 Peschel D15/7

FOREIGN PATENT DOCUMENTS

JP 1178954 S 7/2003

* cited by examiner

Primary Examiner — Gino Colan

(74) *Attorney, Agent, or Firm* — Birch, Stewart, Kolasch & Birch, LLP

(57) **CLAIM**

The ornamental design for a fluid pressure cylinder, as shown and described.

DESCRIPTION

FIG. 1 is a front, top and left side perspective view of a fluid pressure cylinder showing our new design;
 FIG. 2 is a front, top and right side perspective view thereof;
 FIG. 3 is a rear, bottom and left side perspective view thereof;
 FIG. 4 is a rear, bottom and right side perspective view thereof;
 FIG. 5 is a front view thereof;
 FIG. 6 is a rear view thereof;
 FIG. 7 is a top plan view thereof;
 FIG. 8 is a bottom plan view thereof;
 FIG. 9 is a left side view thereof; and,
 FIG. 10 is a right side view thereof.

The broken lines depict portions of the fluid pressure cylinder that form no part of the claimed design.

1 Claim, 10 Drawing Sheets

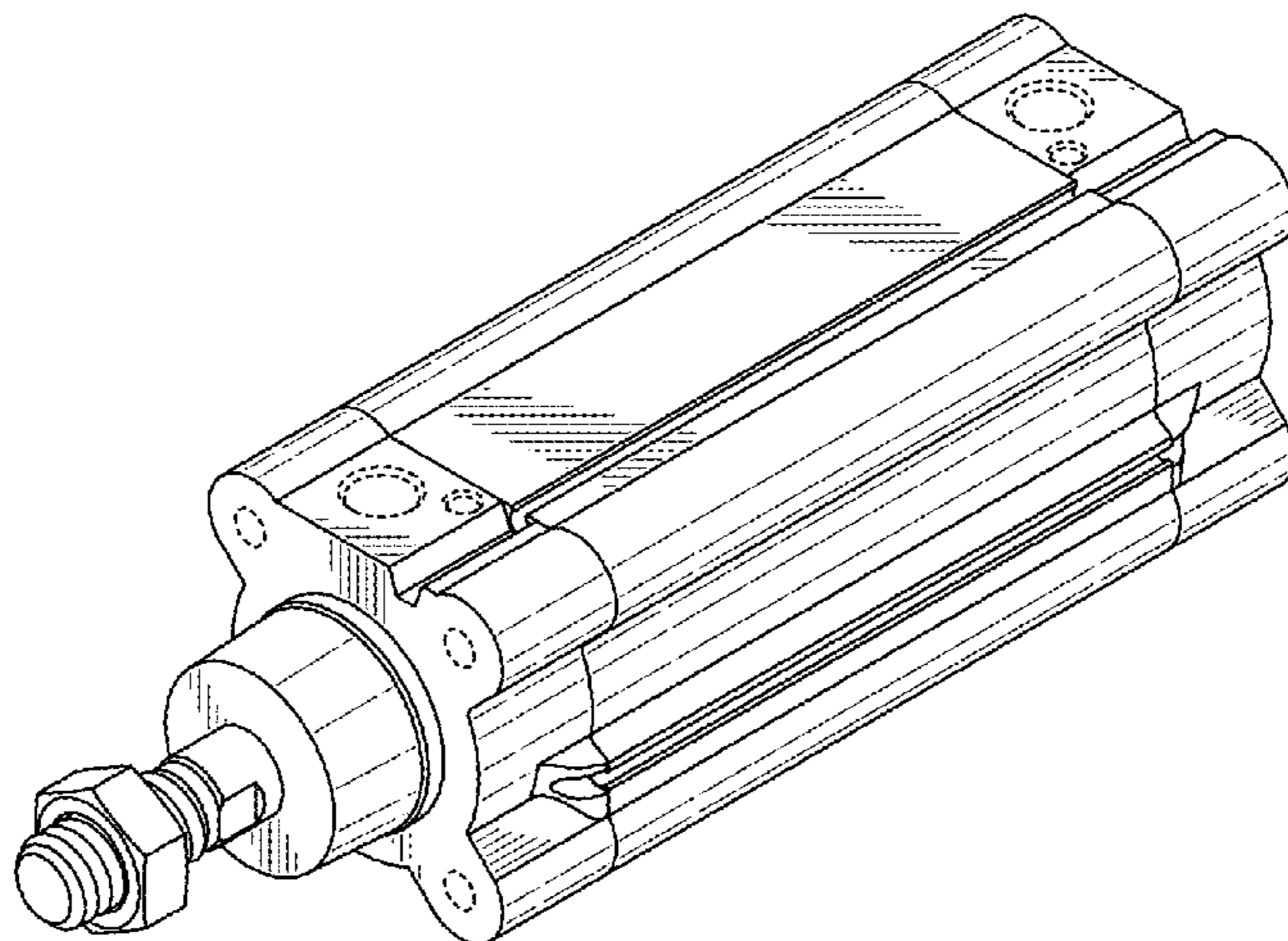


FIG. 1

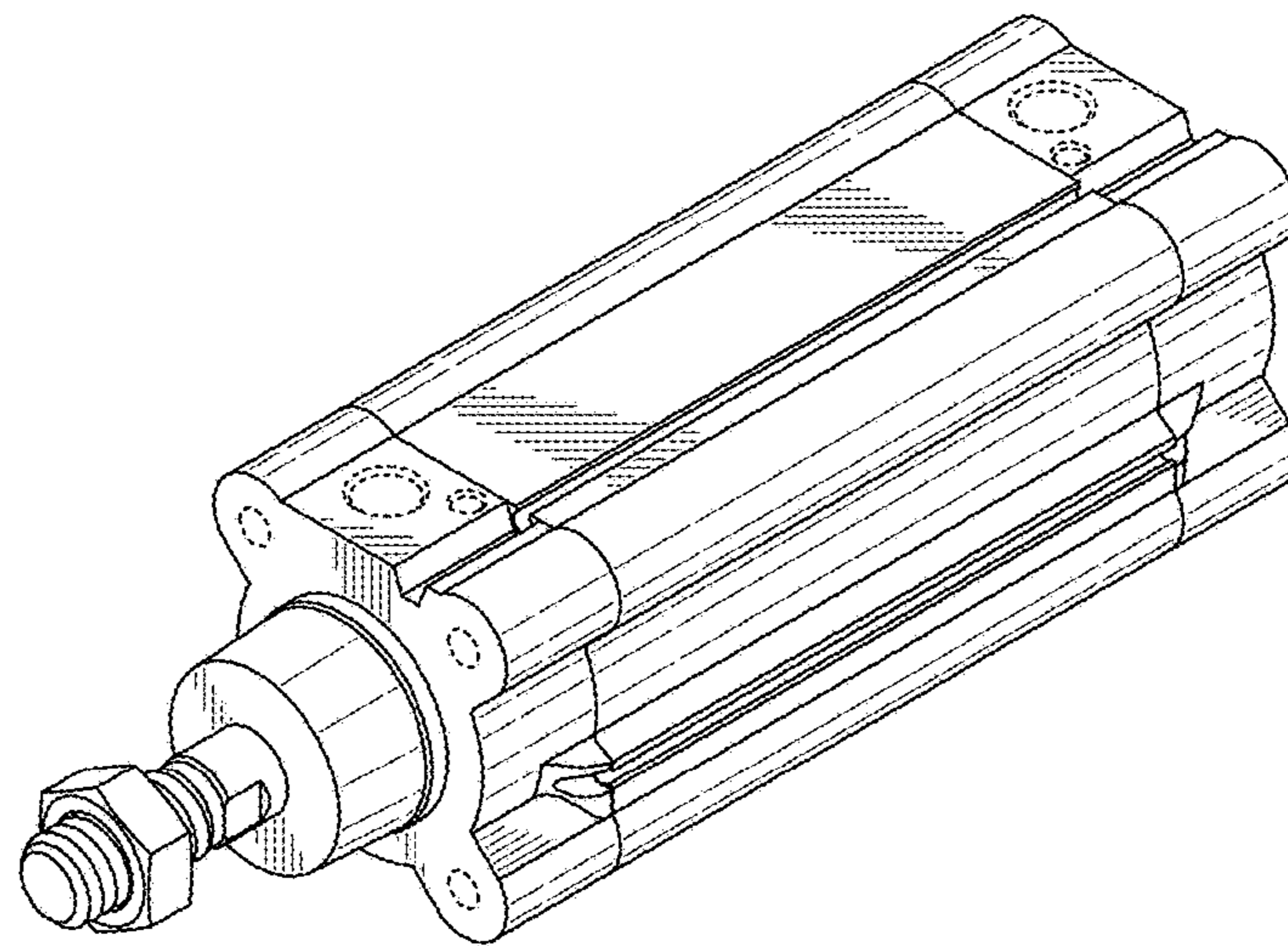


FIG. 2

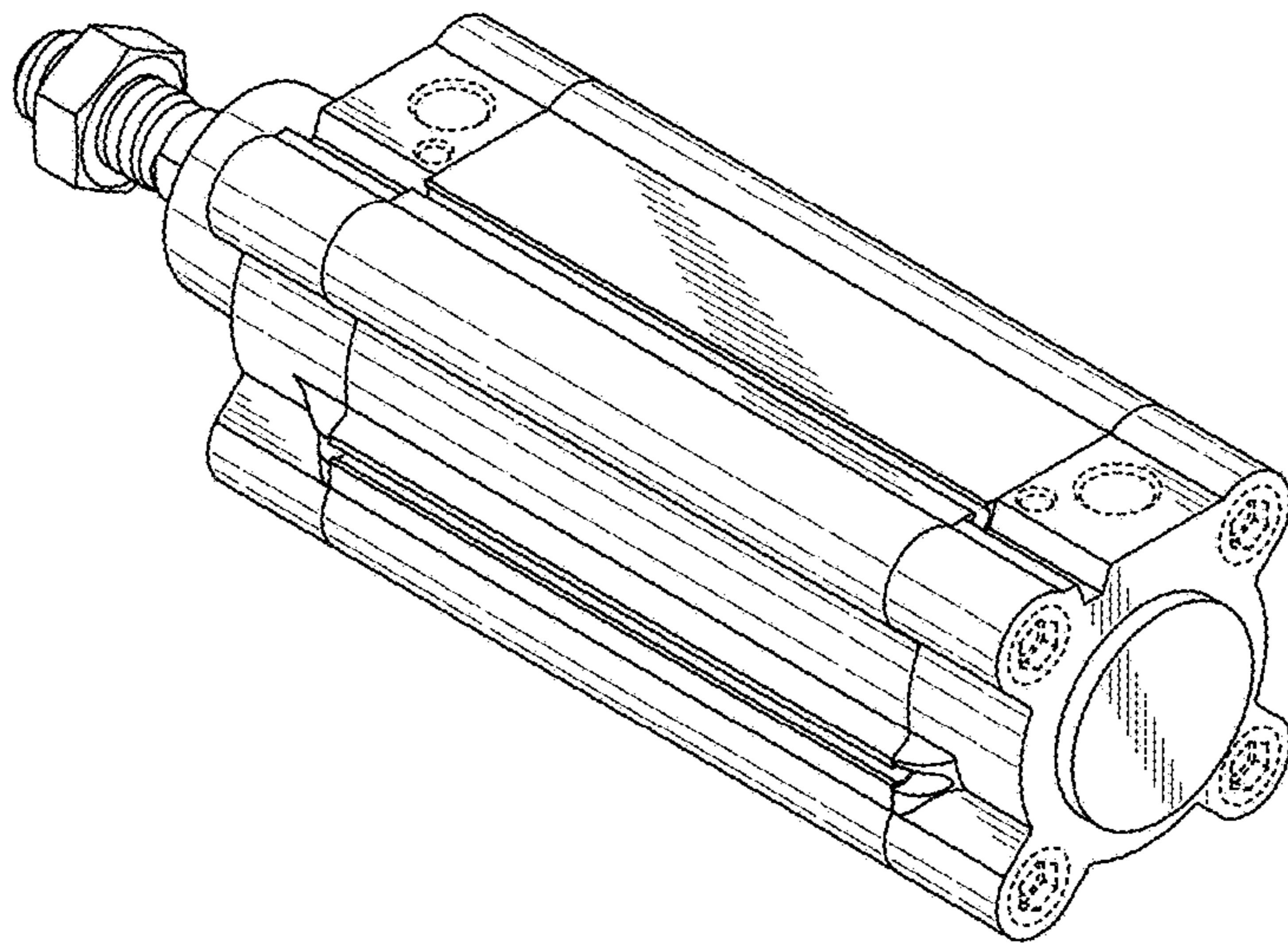


FIG. 3

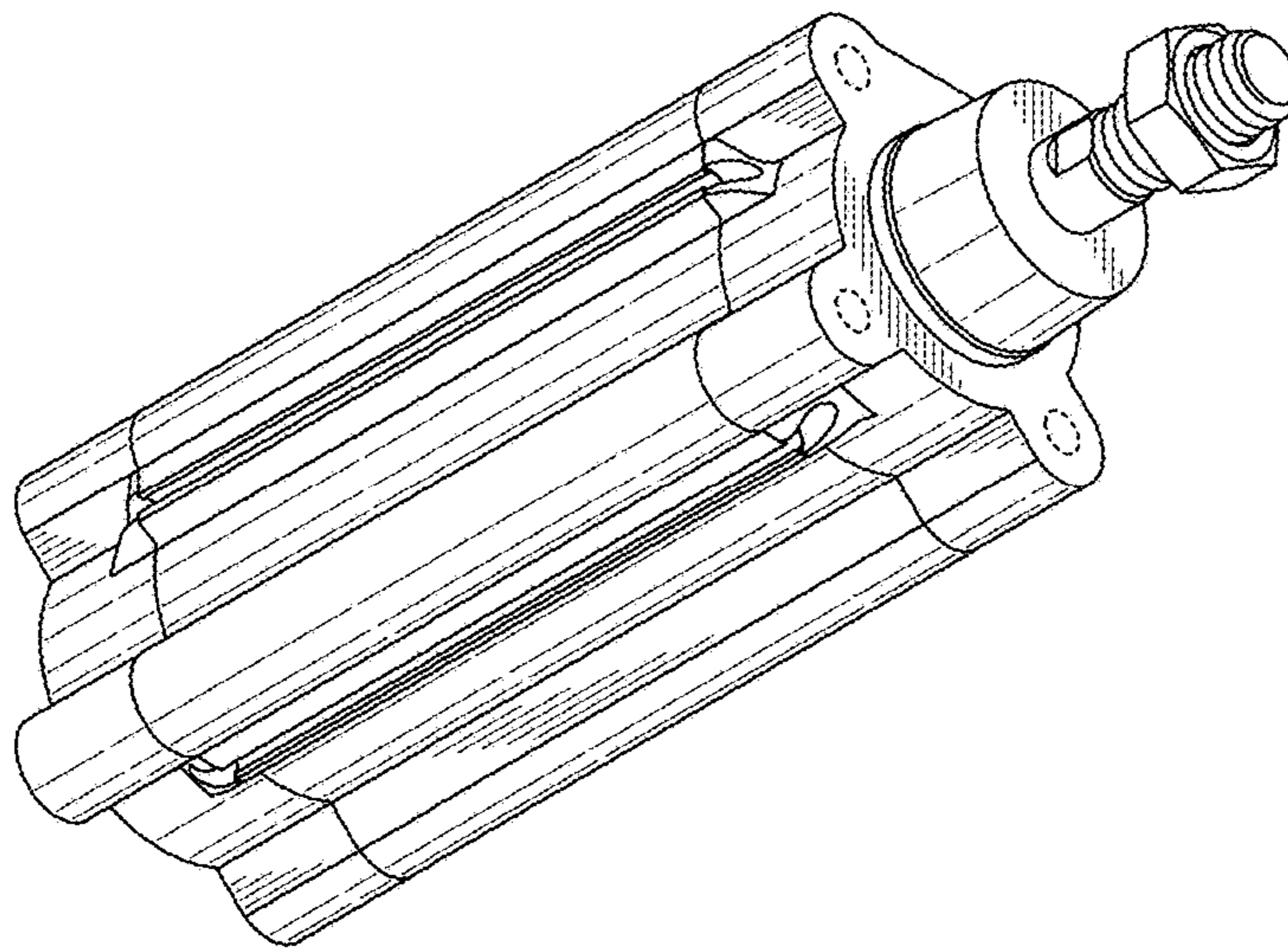


FIG. 4

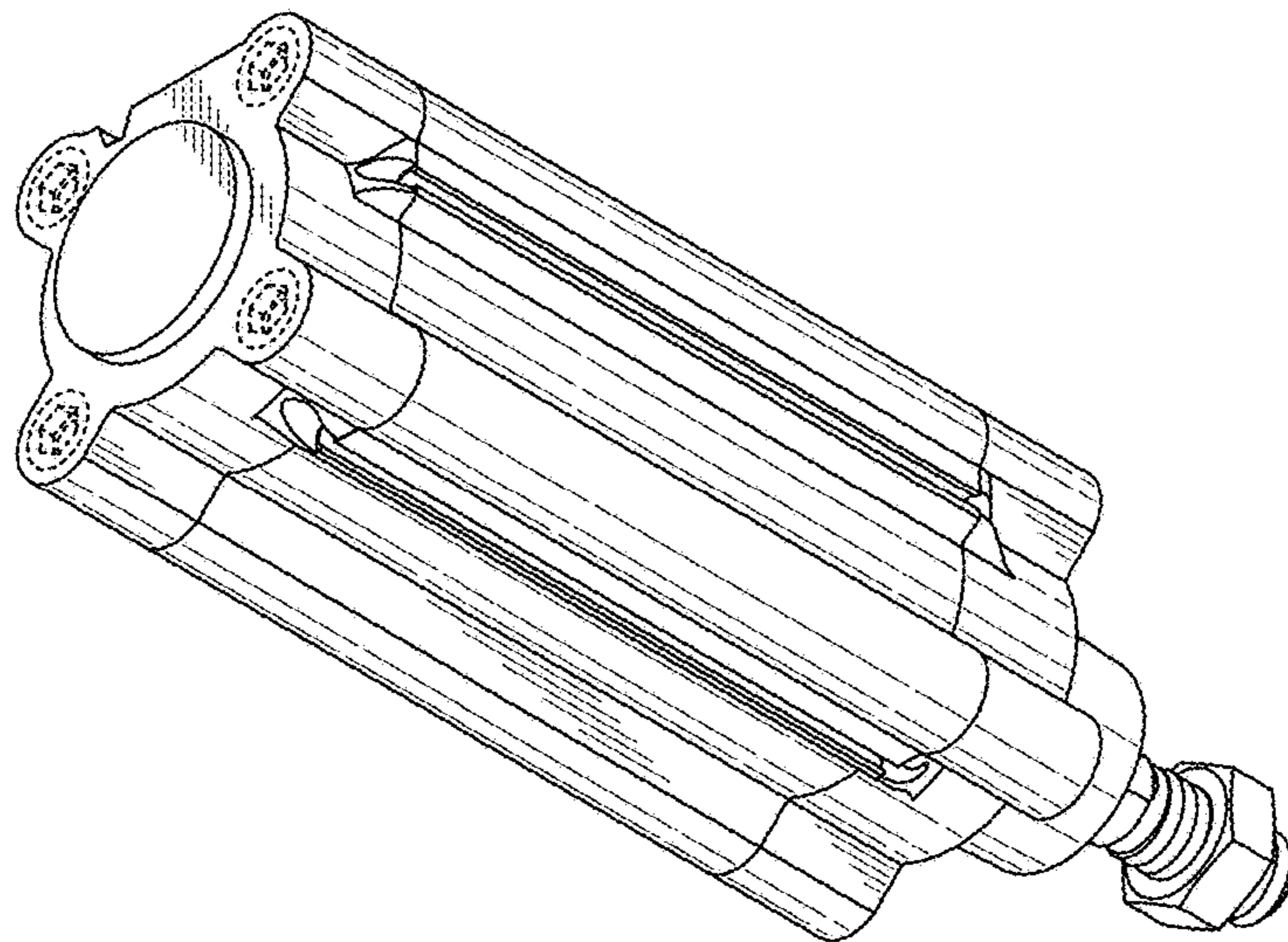


FIG. 5

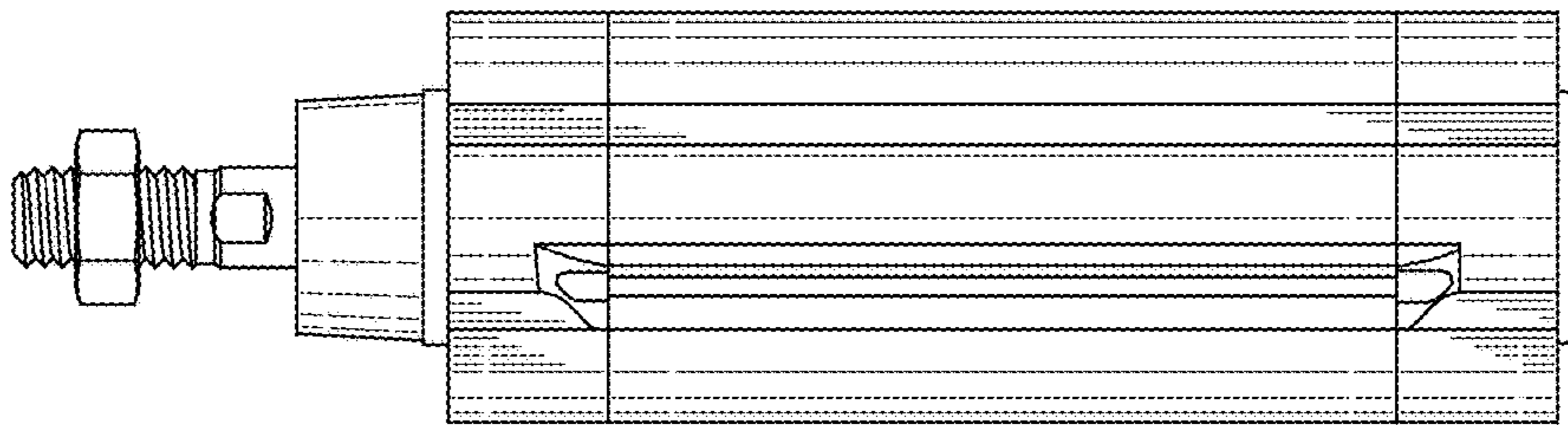


FIG. 6

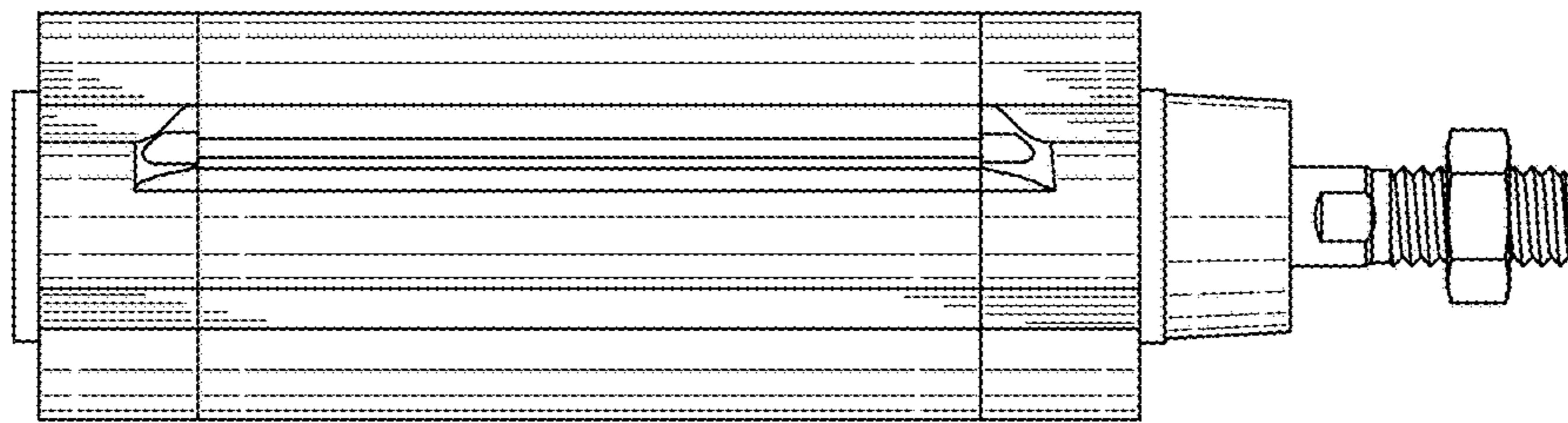


FIG. 7

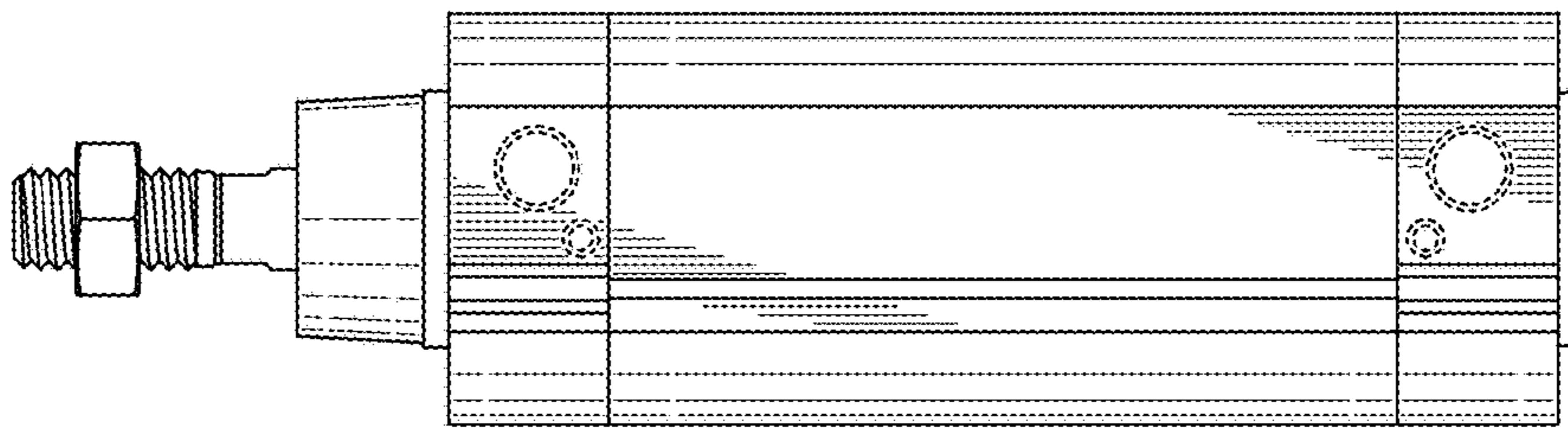


FIG. 8

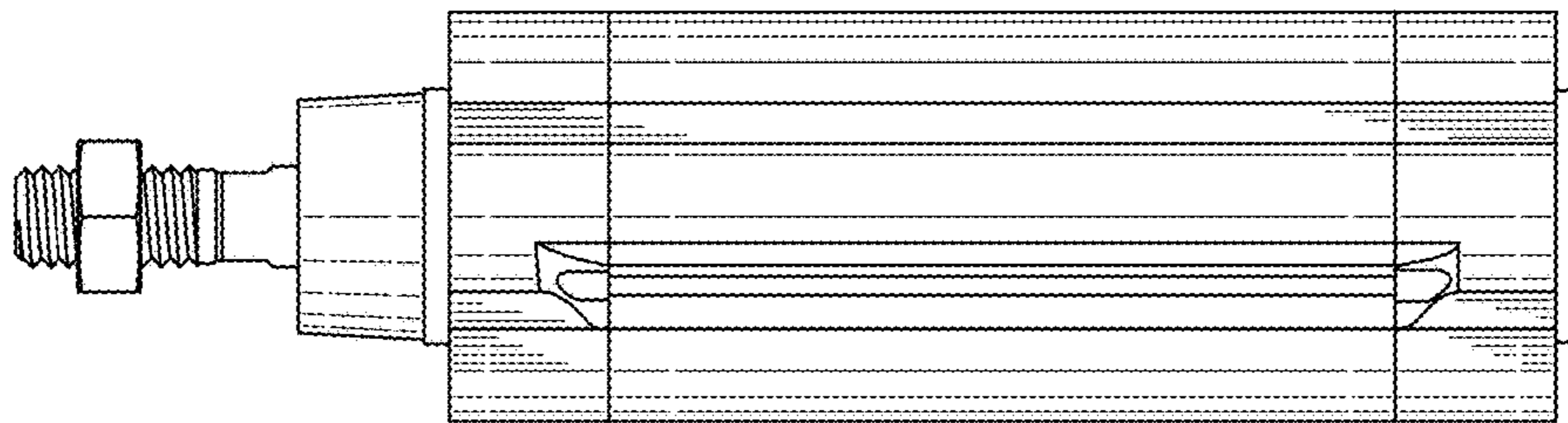


FIG. 9

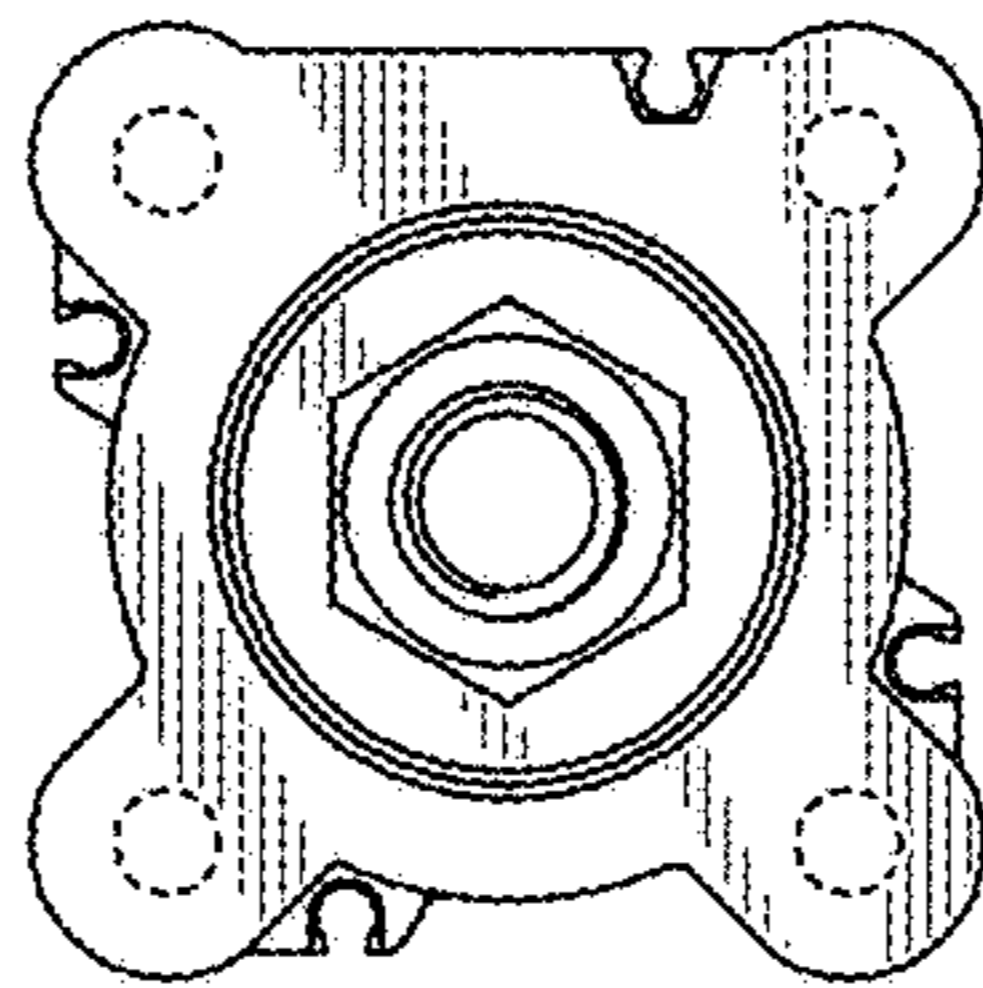


FIG. 10

