



US00D871456S

(12) **United States Design Patent** (10) **Patent No.:** **US D871,456 S**
Soreo et al. (45) **Date of Patent:** **** Dec. 31, 2019**

(54) **FUEL PUMP ASSEMBLY**

(71) Applicant: **Nottingham Spirk Design Associates**,
Cleveland, OH (US)

(72) Inventors: **Robert Soreo**, Cleveland Heights, OH
(US); **Mike McKee**, New Hudson, MI
(US); **Lindsey Tufts, Jr.**, Kent, OH
(US); **Ryan Gernheuser**, Maumee, OH
(US)

(73) Assignee: **Trico Group, LLC**, Cleveland, OH
(US)

D723,587 S * 3/2015 Park D15/7
9,121,398 B1 * 9/2015 Al-Nesafi F04D 15/0218
D787,325 S * 5/2017 Young D15/7
D832,890 S * 11/2018 Franks B05B 9/0816
D15/7
D852,851 S * 7/2019 Wang D15/7
D856,374 S * 8/2019 Park D15/7
2001/0010219 A1 8/2001 Isobe et al.
2002/0170727 A1 11/2002 Holland et al.
2004/0129626 A1 7/2004 Fischer et al.

(Continued)

Primary Examiner — Khawaja Anwar

(74) *Attorney, Agent, or Firm* — Renner, Otto, Boisselle & Sklar, LLP

(**) Term: **15 Years**

(57) **CLAIM**

The ornamental design for a fuel pump assembly, as shown and described.

(21) Appl. No.: **29/662,526**

(22) Filed: **Sep. 6, 2018**

DESCRIPTION

(51) **LOC (12) Cl.** **15-03**

(52) **U.S. Cl.**
USPC **D15/7**

(58) **Field of Classification Search**
USPC D15/7-9; D23/225, 231, 232
CPC F02M 37/04; F02M 37/14
See application file for complete search history.

This application is related to a commonly-assigned concurrently filed application, "Fuel Pump Assembly" (U.S. patent application Ser. No. 16/123,281, filed on Sep. 6, 2018), the disclosure of which is incorporated herein by reference in its entirety. All of the material from the Fuel Pump application that is essential to the claimed design is included herein. Any material in the Fuel Pump application that is not present herein forms no part of the claimed design.

FIG. 1 is a perspective view of a fuel pump assembly including a sender assembly in a compact position showing my new design;

FIG. 2 is a front view thereof;

FIG. 3 is a rear view thereof;

FIG. 4 is a right side view thereof;

FIG. 5 is a left side view thereof;

FIG. 6 is a top view thereof; and,

FIG. 7 is a bottom view thereof.

The broken lines illustrate environmental structure and form no part of the claimed design.

(56) **References Cited**

U.S. PATENT DOCUMENTS

2,766,696 A * 10/1956 Lung F04D 15/0218
417/424.1

3,123,102 A 3/1964 Frieder et al.

4,157,968 A 6/1979 Kronsbein

4,350,909 A 9/1982 Yamada

D283,225 S * 4/1986 Canvasser D15/7

D295,522 S * 5/1988 Martin D15/7

4,919,103 A 4/1990 Ishiguro et al.

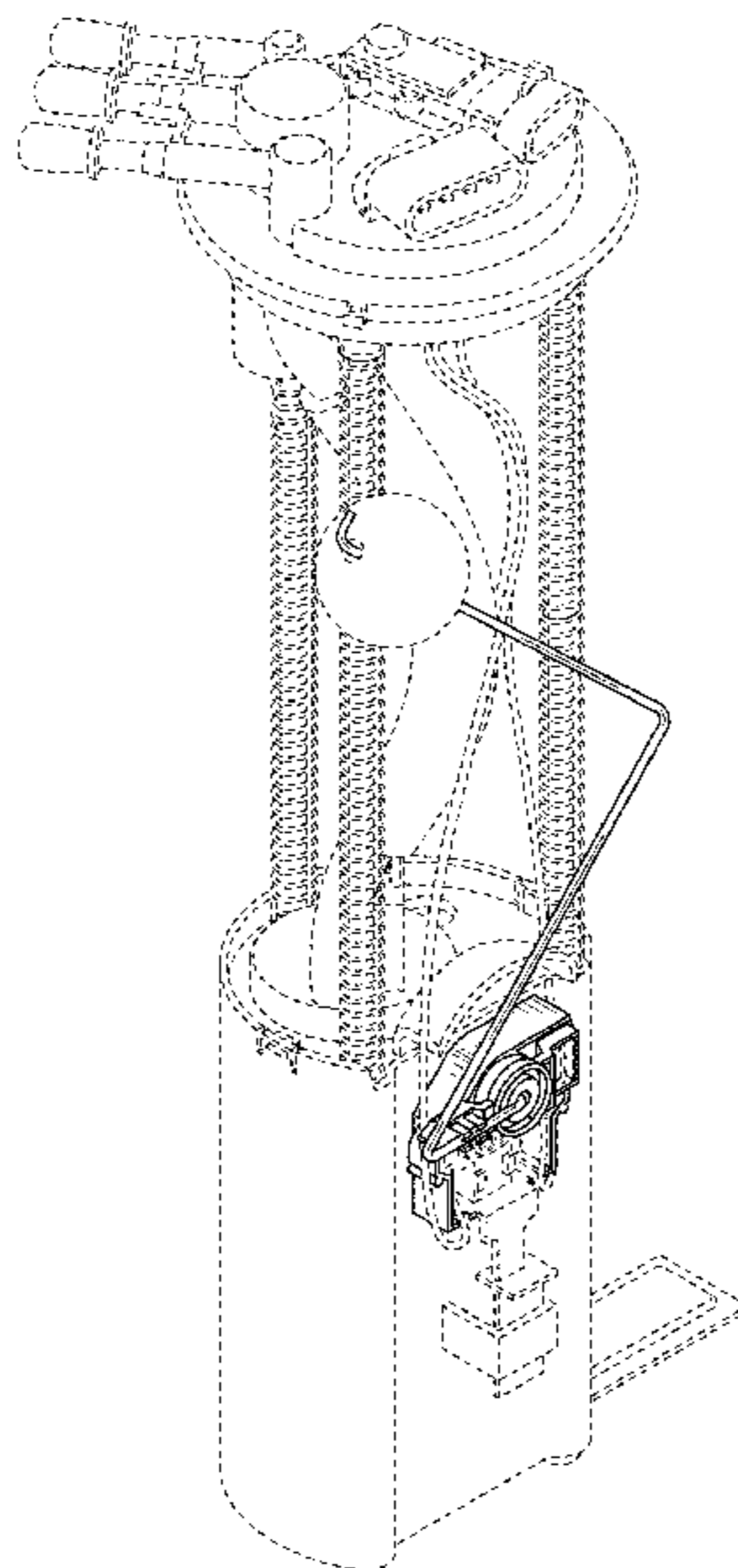
5,341,679 A 8/1994 Walkowski et al.

D351,602 S * 10/1994 Rosebraugh D15/7

5,787,865 A 8/1998 Harris et al.

6,998,043 B2 2/2006 Fischer et al.

1 Claim, 6 Drawing Sheets



(56)

References Cited

U.S. PATENT DOCUMENTS

2004/0182463 A1 9/2004 Besette et al.
2004/0261994 A1 12/2004 Nguyen et al.
2007/0163659 A1 7/2007 Uhara et al.
2007/0295648 A1 12/2007 Falkiner et al.
2008/0245423 A1 10/2008 Noda et al.
2012/0227237 A1 9/2012 Tabuchi
2013/0025572 A1 1/2013 Takata
2014/0345719 A1 11/2014 Kim et al.

* cited by examiner

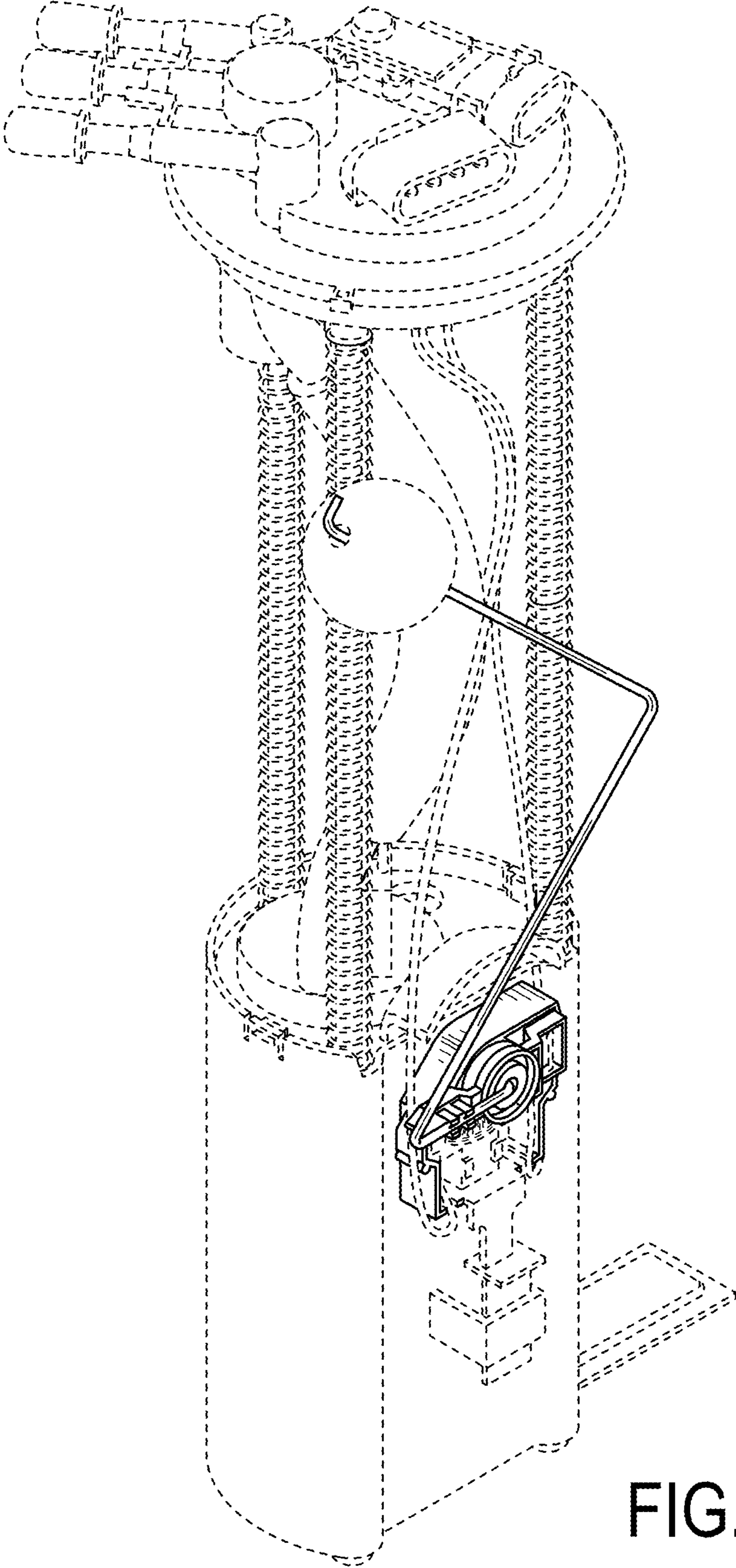


FIG. 1

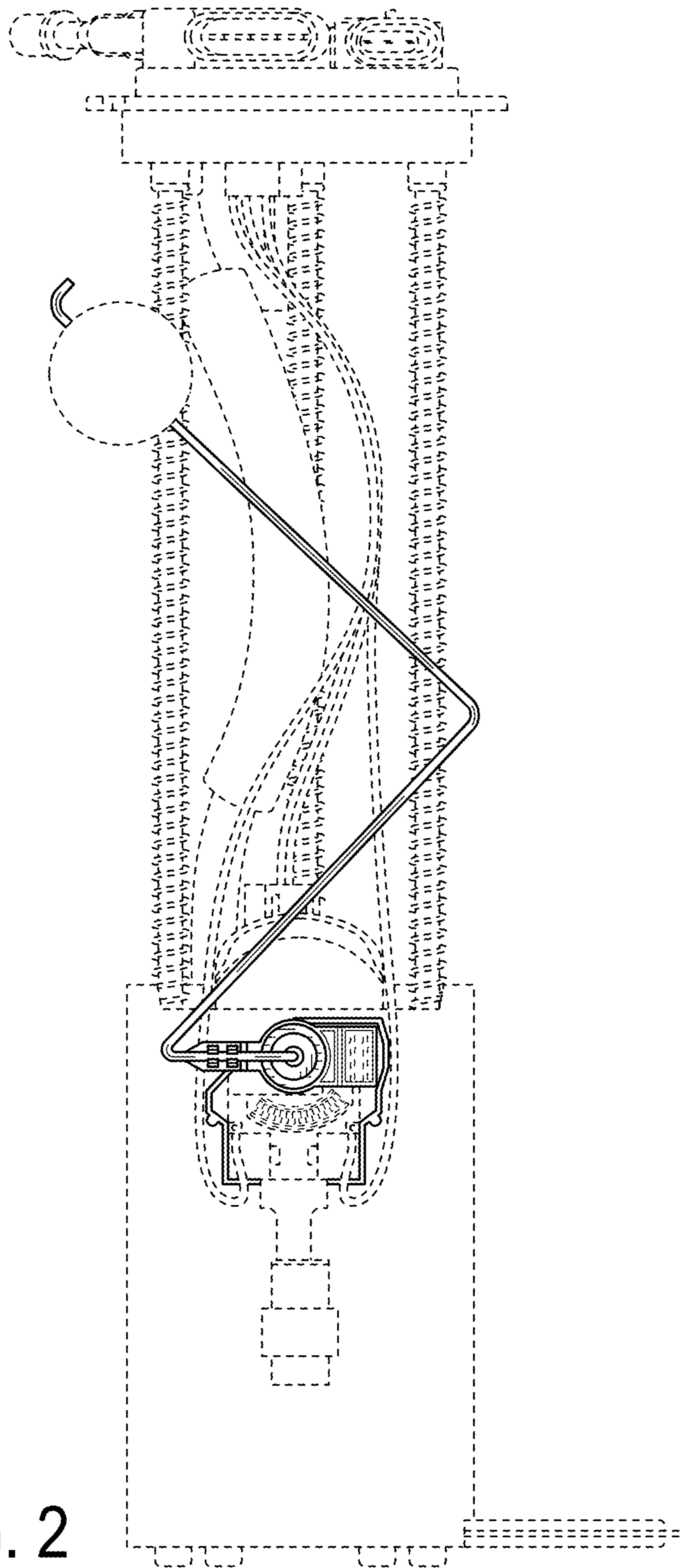


FIG. 2

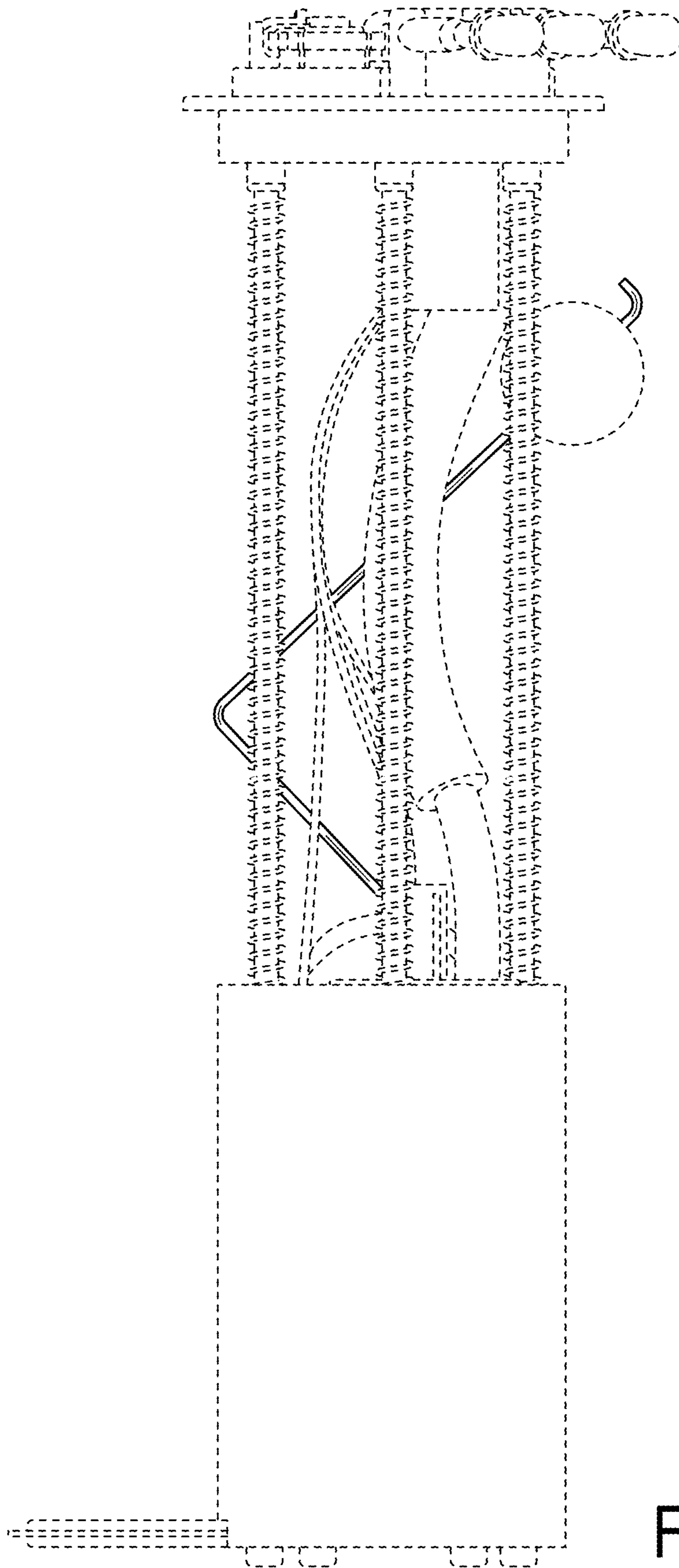


FIG. 3

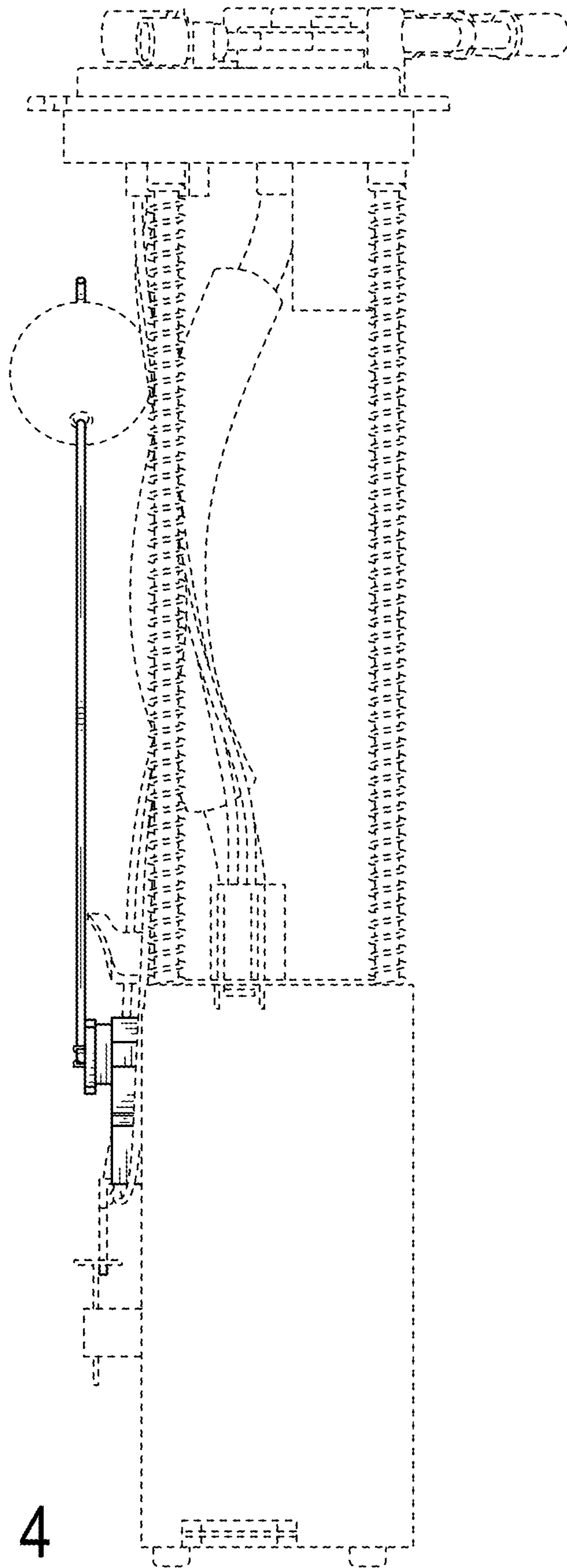


FIG. 4

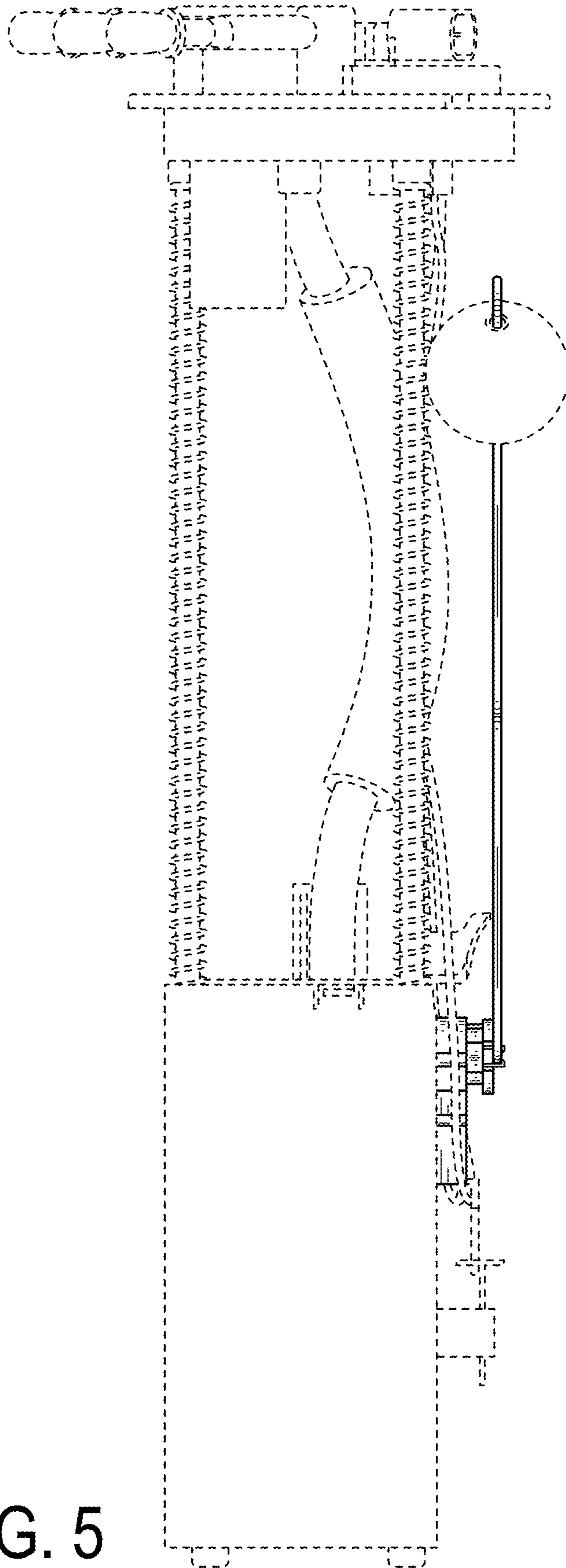


FIG. 5

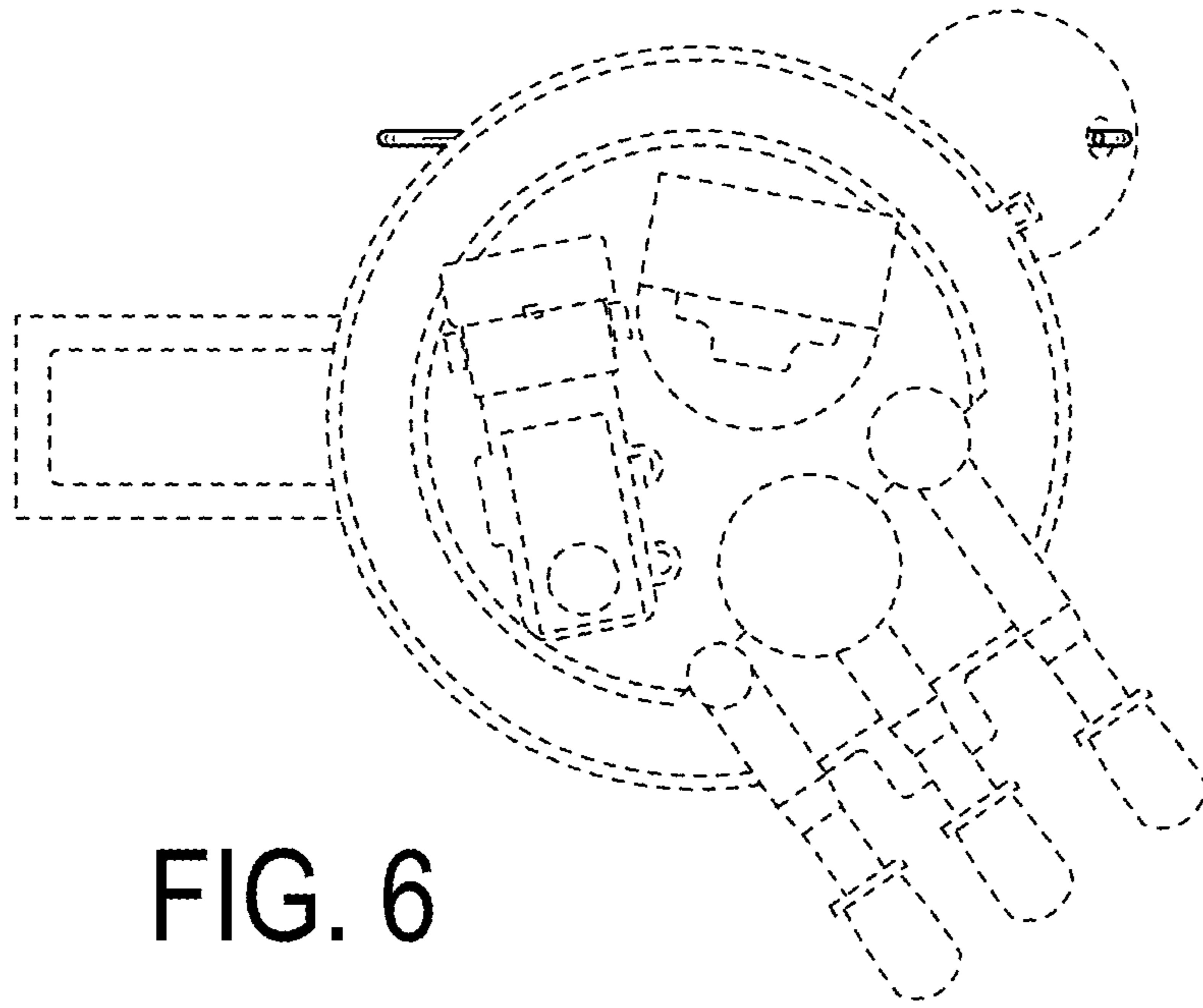


FIG. 6

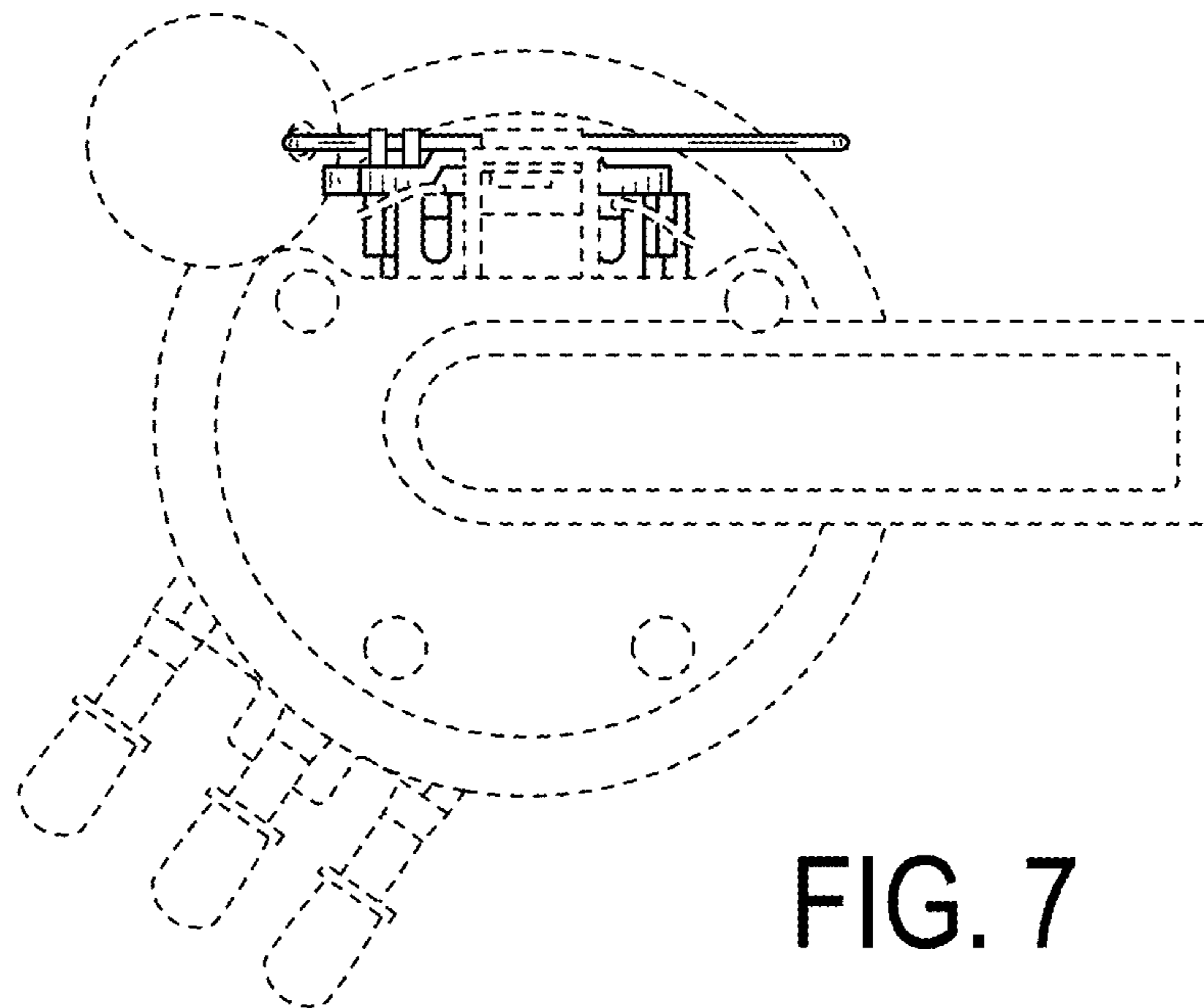


FIG. 7